



US00D911759S

(12) **United States Design Patent** (10) **Patent No.:** **US D911,759 S**
Repp (45) **Date of Patent:** **** Mar. 2, 2021**

(54) **TABLETOP** 5,704,495 A * 1/1998 Bale A61B 50/20
211/71.01
(71) Applicant: **Michael A. Repp**, Ellison Bay, WI D475,877 S * 6/2003 McCormick D6/552
(US) D493,056 S * 7/2004 Shornak D6/552
D501,761 S * 2/2005 Glander D7/553.5
(72) Inventor: **Michael A. Repp**, Ellison Bay, WI
(US) (Continued)

(73) Assignee: **FREEDOM ENTERPRISES LLC**,
Ellison Bay, WI (US)

(**) Term: **15 Years**

(21) Appl. No.: **29/750,210**

(22) Filed: **Sep. 11, 2020**

Related U.S. Application Data

(62) Division of application No. 29/672,561, filed on Dec.
6, 2018, now Pat. No. Des. 900,524.

(51) **LOC (13) Cl.** **06-06**

(52) **U.S. Cl.**
USPC **D6/707.19**

(58) **Field of Classification Search**
USPC D6/349, 352, 534, 552, 680.2, 681.3,
D6/682, 685, 686, 691, 691.1, 691.3,
D6/691.4, 691.6, 692.3, 702, 707, 707.18,
D6/707.19; D7/501, 549, 551.1, 553.1,
D7/553.5, 553.6, 553.8, 554.2, 587,
D7/600.1, 629, 701, 706, 707
CPC A47G 23/0641; A47G 23/0208; A47G
19/06; A47G 19/2261; A47G 23/02;
A47B 73/00; A47B 13/16; A47B 81/04;
A47B 37/04
See application file for complete search history.

(56) **References Cited**

U.S. PATENT DOCUMENTS

1,659,344 A * 2/1928 Wissman A47G 23/065
294/143
4,049,126 A * 9/1977 Halverson A63B 71/0045
211/104

OTHER PUBLICATIONS

“Tirrinia Outdoor Wine Picnic Table.” Found online Oct. 24, 2020
at www.amazon.com. Product reviewed Nov. 15, 2018. Retrieved
from URL: <https://www.amazon.com/Tirrinia-Outdoor-Folding-Portable-Concerts/dp/B081V8XC79?th=1> (Year: 2018).*

(Continued)

Primary Examiner — Mary Ann Calabrese

Assistant Examiner — Katelin G Kloberg

(74) *Attorney, Agent, or Firm* — Howard & Howard
Attorneys PLLC

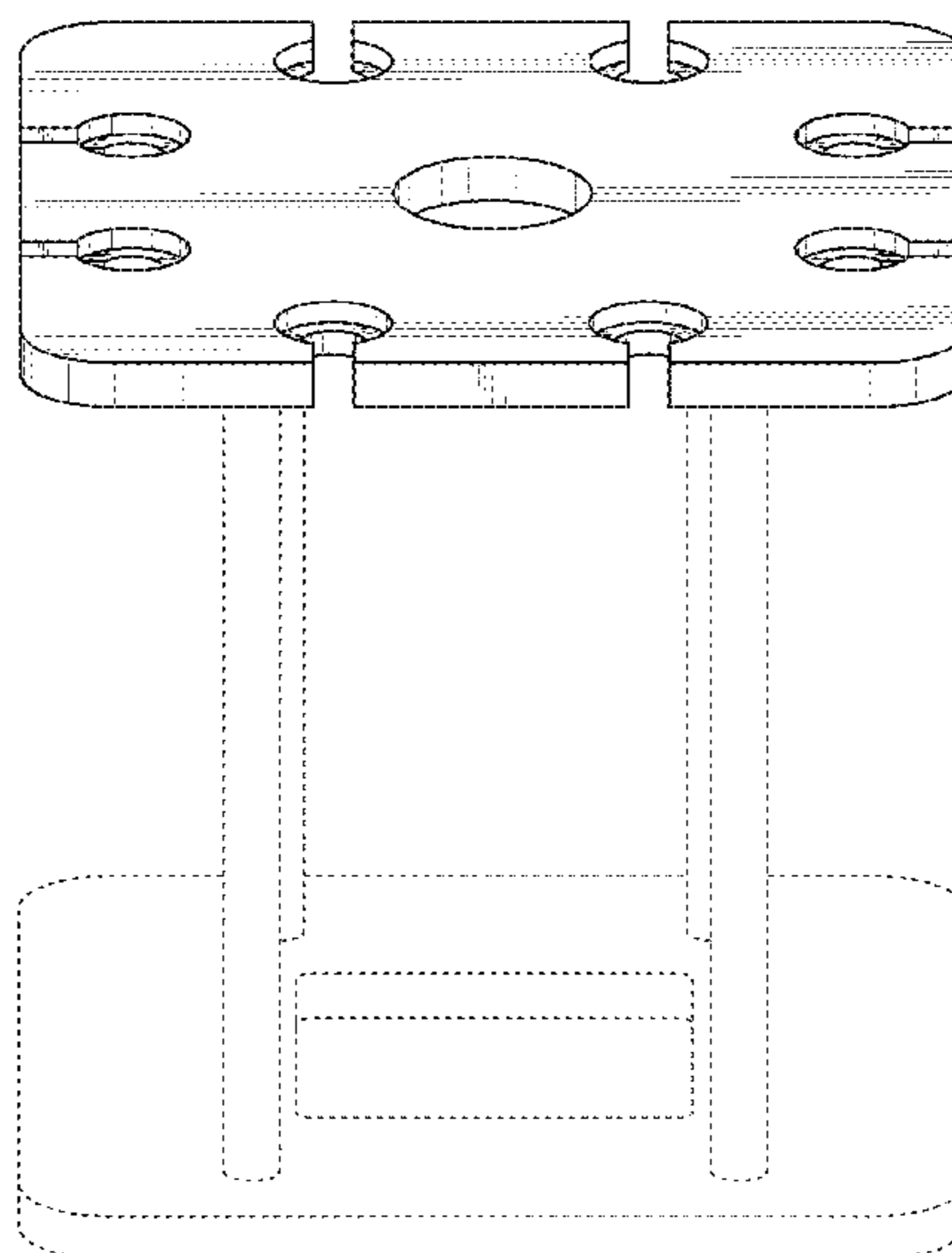
(57) **CLAIM**

I claim the ornamental design for a tabletop, as shown and
described.

DESCRIPTION

FIG. 1 is a perspective view of a tabletop, showing my new
design within an environment of use;
FIG. 2 is a top plan view of the tabletop of FIG. 1;
FIG. 3 is a bottom plan view of the tabletop of FIG. 1;
FIG. 4 is a right side elevation view of the tabletop of FIG.
1, with the left side being identical thereto; and,
FIG. 5 is an enlarged fragmentary perspective view of a
portion the tabletop of FIG. 1, showing one of the notches.
The broken lines in FIGS. 1 and 4 illustrating a tabletop
support stand represents the environment of use and forms
no part of the claimed design. The broken lines in FIG. 3
depict portions of the tabletop that form no part of the
claimed design.

1 Claim, 3 Drawing Sheets



(56)

References Cited

U.S. PATENT DOCUMENTS

D547,126 S * 7/2007 Levine D7/549
 D713,183 S * 9/2014 Robledo D6/682
 9,220,337 B1 * 12/2015 Wenzel A47B 13/023
 D749,909 S * 2/2016 Piccinini D7/587
 D766,665 S * 9/2016 Shames D7/554.2
 9,839,311 B2 * 12/2017 Shames A47G 19/065
 9,877,586 B2 * 1/2018 Haenga F16M 13/022
 9,980,589 B2 * 5/2018 Piccinini A47G 23/0641
 D831,444 S * 10/2018 Gu D7/701
 D858,160 S * 9/2019 Flores D6/691.6
 D871,811 S * 1/2020 Xu D6/692.3
 D888,507 S * 6/2020 Floco D7/629
 10,722,025 B2 * 7/2020 Flores A47B 37/04
 2005/0017134 A1 * 1/2005 Hooper A47G 23/0208
 248/103
 2008/0264822 A1 * 10/2008 Faiola A47G 23/0641
 206/561

OTHER PUBLICATIONS

“Kango Mango Portable Folding Wine and Champagne Picnic Table.” Found online Oct. 24, 2020 at www.amazon.com. Product reiewed Jun. 14, 2018. Retrieved from URL: <https://tinyurl.com/y4a9zlr> (Year: 2018).*

“Portable and Foldable Wine and Snack Table.” Found online Oct. 24, 2020 at www.amazon.com. Product first available Dec. 2, 2017. Retrieved from URL: https://www.amazon.com/INNO-STAGE-Portable-Foldable-Positions/dp/B077W3Q7X2/ref=psdc_3742531_t4_B07GY3DHC7 (Year: 2017).*

“This 15-dollar Kmart wine and cheese table hack.” Found online Oct. 24, 2020 at www.newideafood.com.au. Page dated Mar. 25, 2019. Retrieved from URL: <https://www.newideafood.com.au/15-kgmart-wine-cheese-table-hack-means-you-can-enjoy-a-cheeky-glass-anywhere> (Year: 2019).*

* cited by examiner

FIG. 1

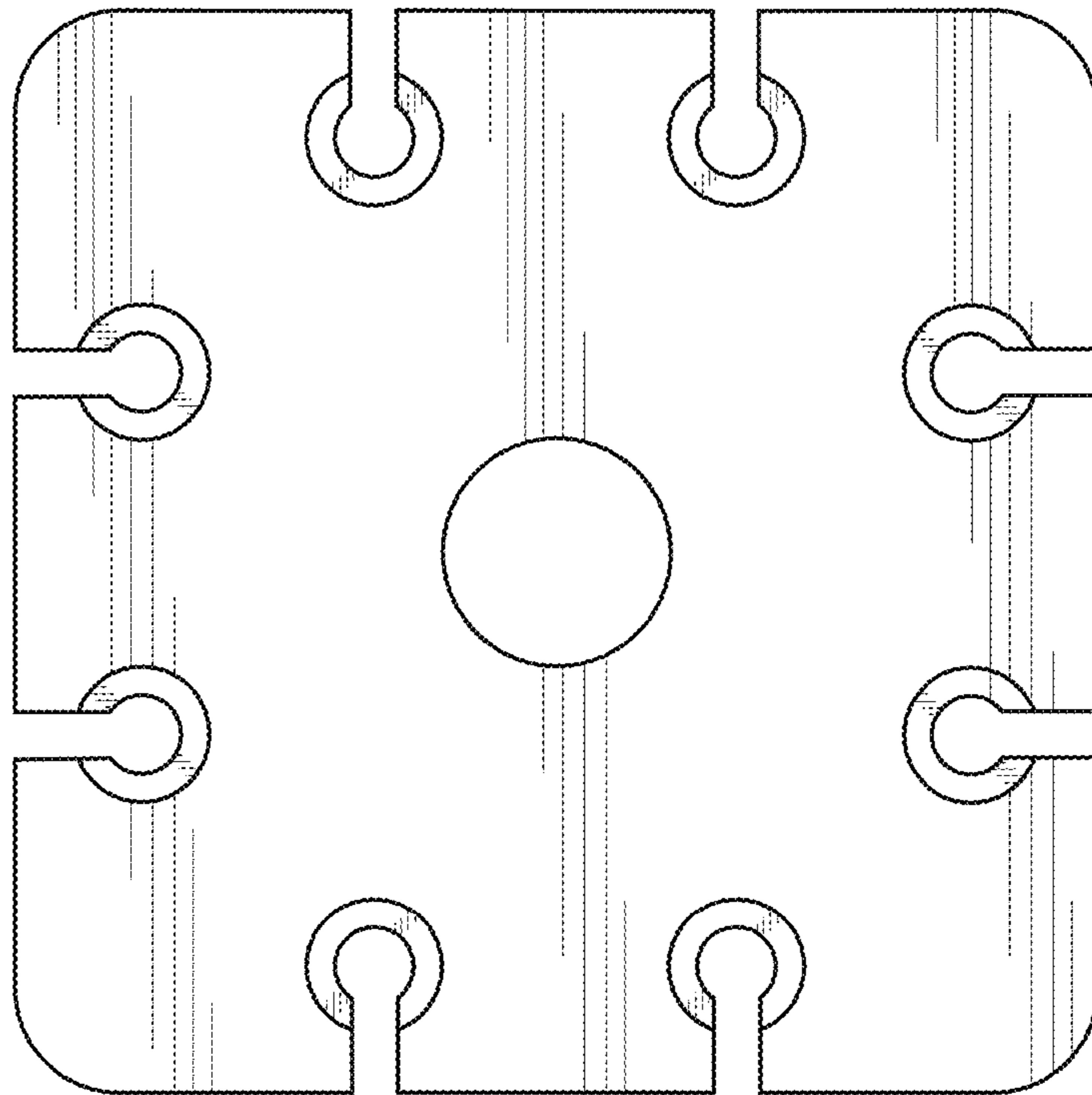
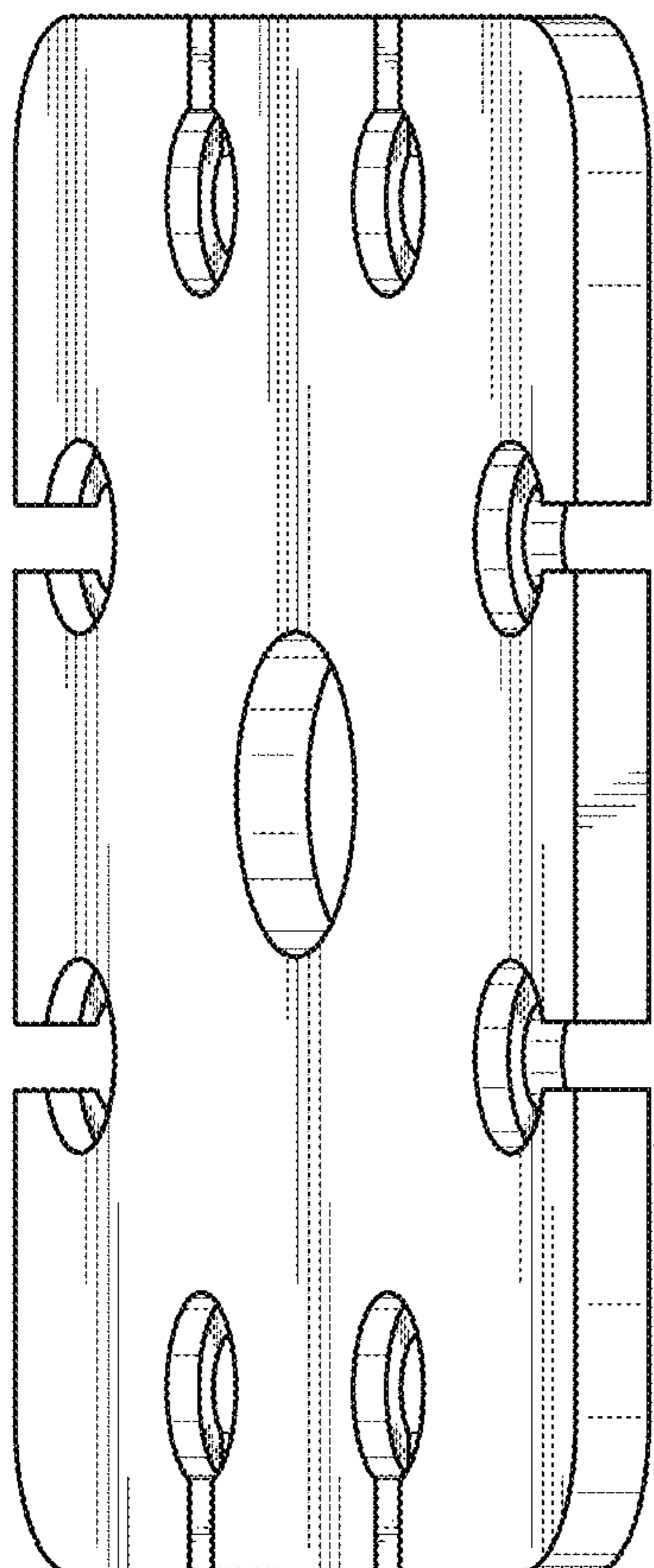


FIG. 2

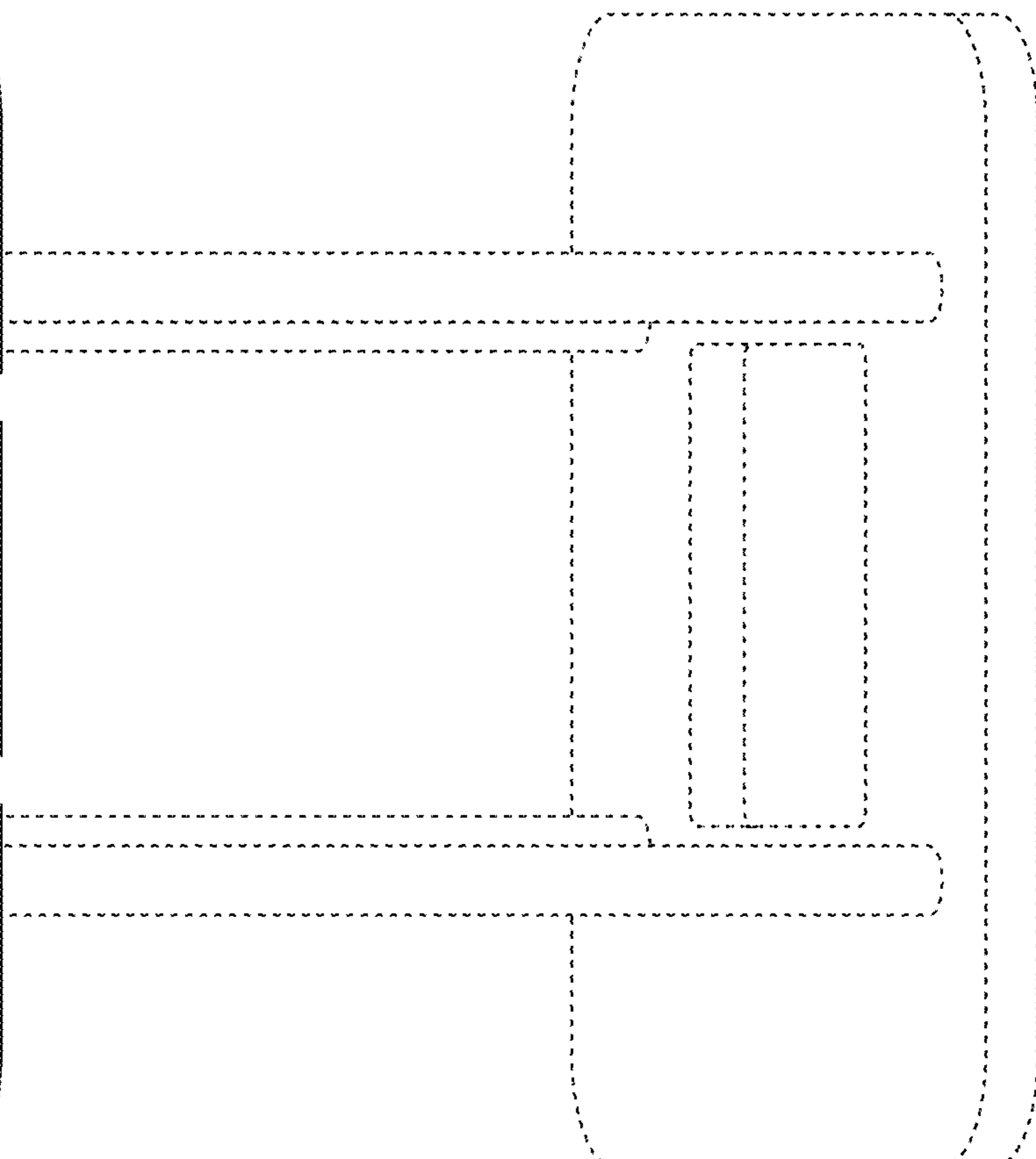


FIG. 3

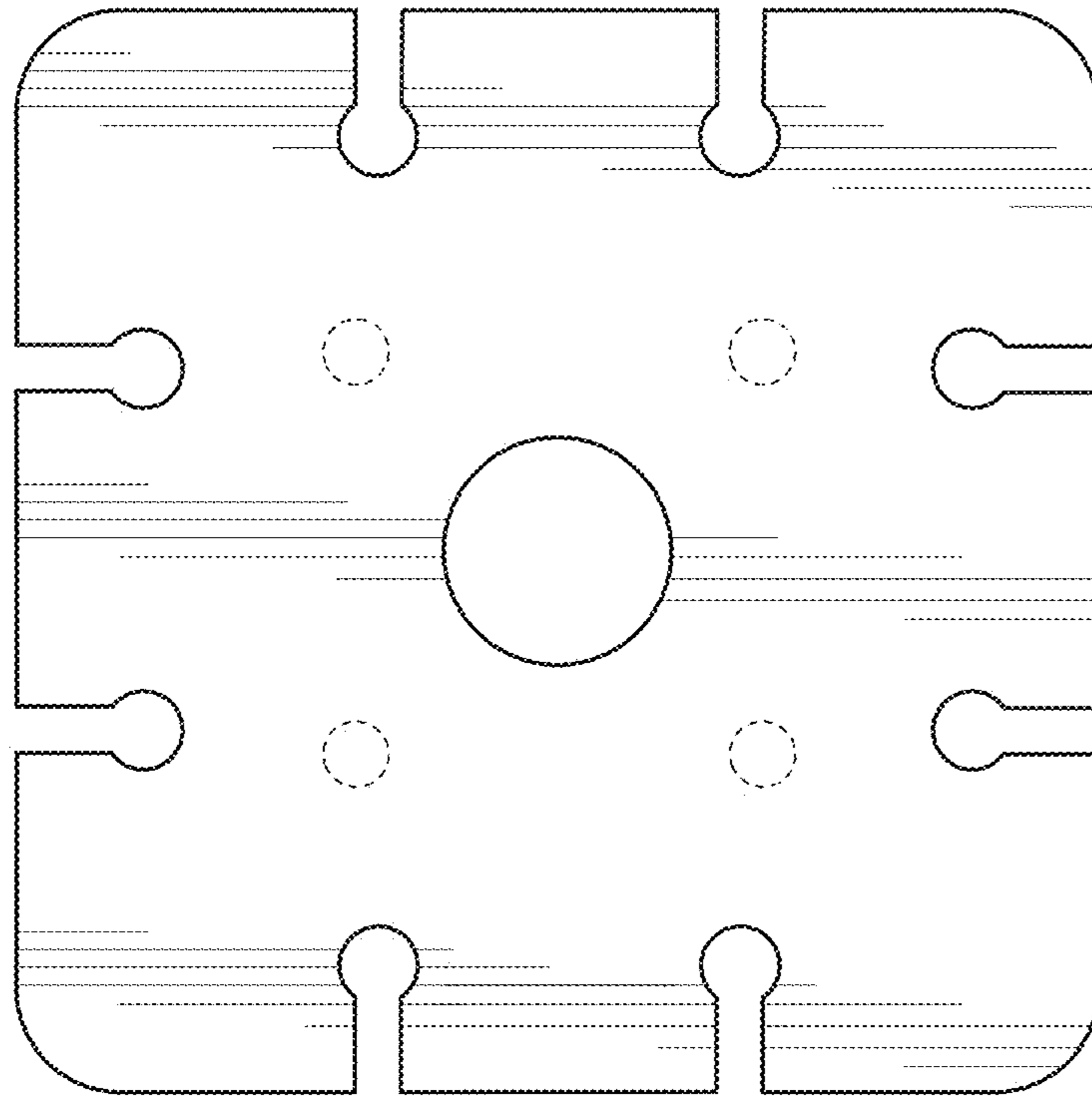
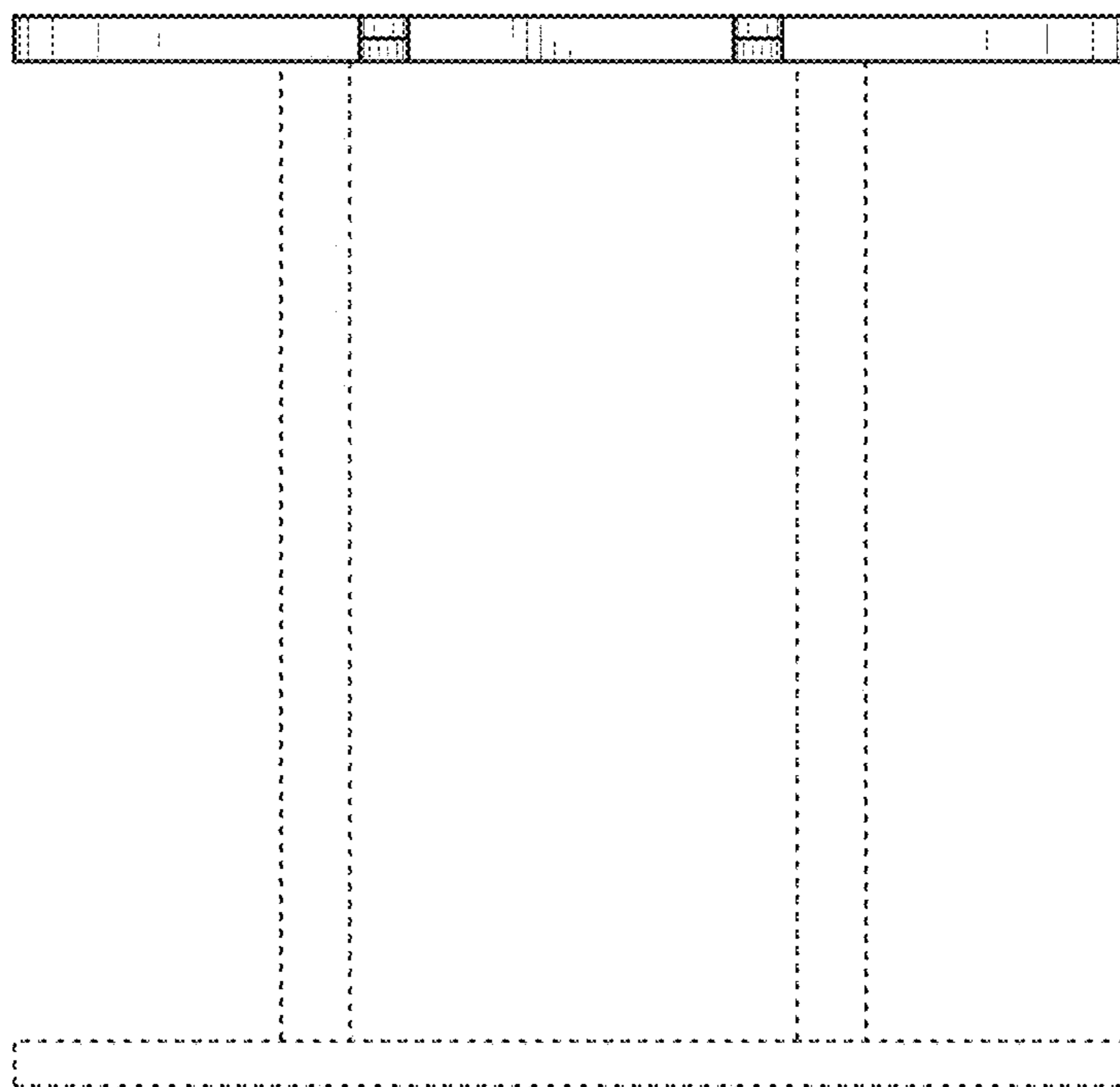


FIG. 4



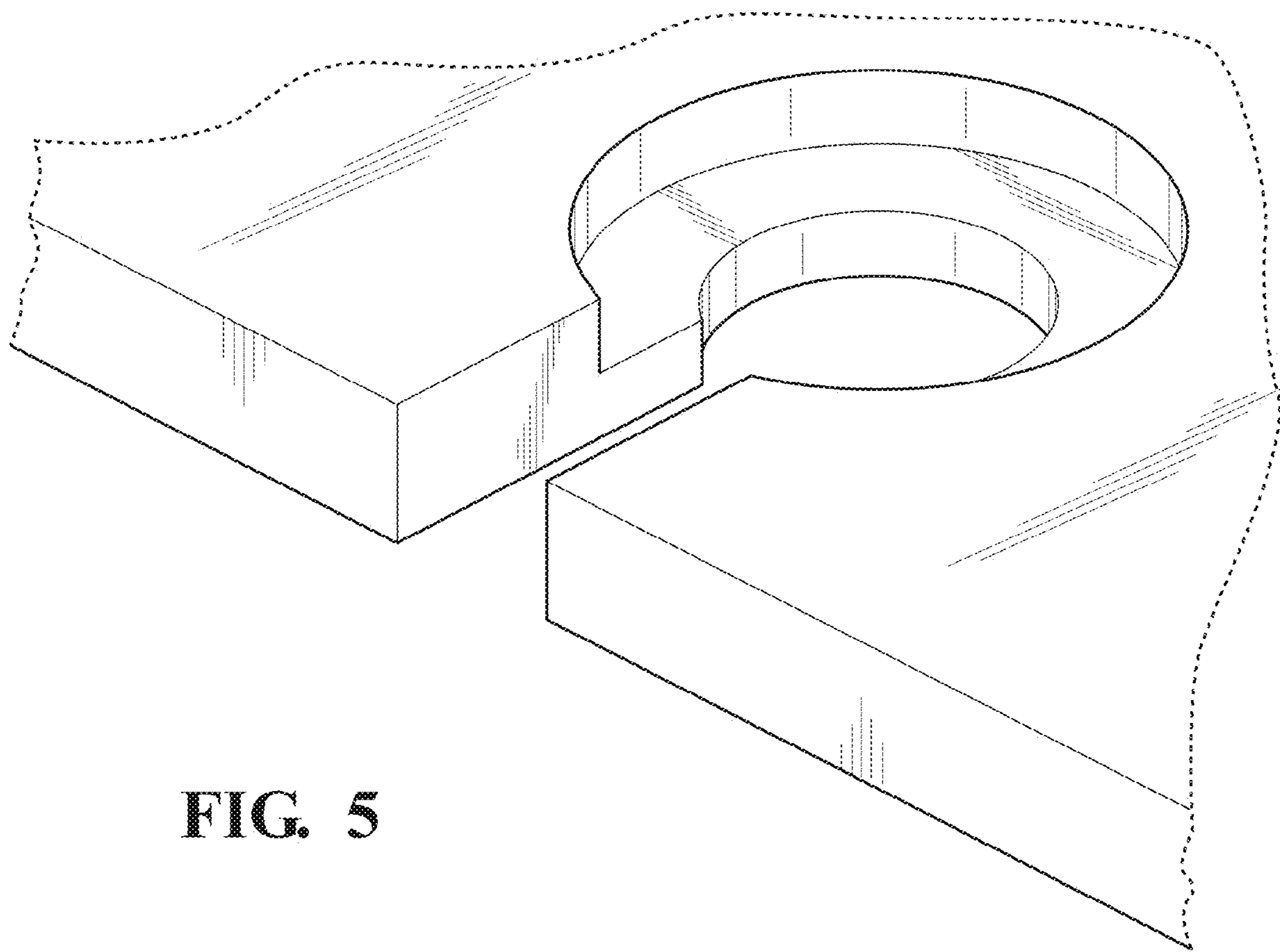


FIG. 5