



US00D911758S

(12) **United States Design Patent** (10) **Patent No.:** **US D911,758 S**
Sitter (45) **Date of Patent:** **** Mar. 2, 2021**

(54) **COMMERCIAL COUNTER**

D724,363 S * 3/2015 Murchison D6/682.1
D735,501 S * 8/2015 Ocegueda D6/677

(71) Applicant: **Phillipp Sitter**, Pearland, TX (US)

* cited by examiner

(72) Inventor: **Phillipp Sitter**, Pearland, TX (US)

Primary Examiner — Mary Ann Calabrese

(**) Term: **15 Years**

(74) *Attorney, Agent, or Firm* — Egbert, McDaniel & Swartz, PLLC

(21) Appl. No.: **29/659,482**

(57) **CLAIM**

(22) Filed: **Aug. 9, 2018**

The ornamental design for a commercial counter, as shown and described.

(51) **LOC (13) Cl.** **06-06**

(52) **U.S. Cl.**

DESCRIPTION

USPC **D6/702**

(58) **Field of Classification Search**

USPC ... D6/309, 698, 699, 699.1–699.5, 702, 708, D6/709, 709.16

CPC A47B 2031/002; A47B 2031/003; A47B 2031/004; A47B 2031/008; A47F 9/00; A47F 9/10; A47F 10/00

See application file for complete search history.

FIG. 1 is a top/front/side perspective view of a commercial counter showing my new design.

FIG. 2 is a front view thereof, a rear view being identical;

FIG. 3 is a top view thereof;

FIG. 4 is a bottom view thereof;

FIG. 5 is a side view thereof, an opposite side view being identical; and,

FIG. 6 is a top/front/side perspective view, wherein the commercial counter is shown installed with a conventional counter structure.

The features presented in broken lines in FIG. 6 represent environmental structure and form no part of the claimed design.

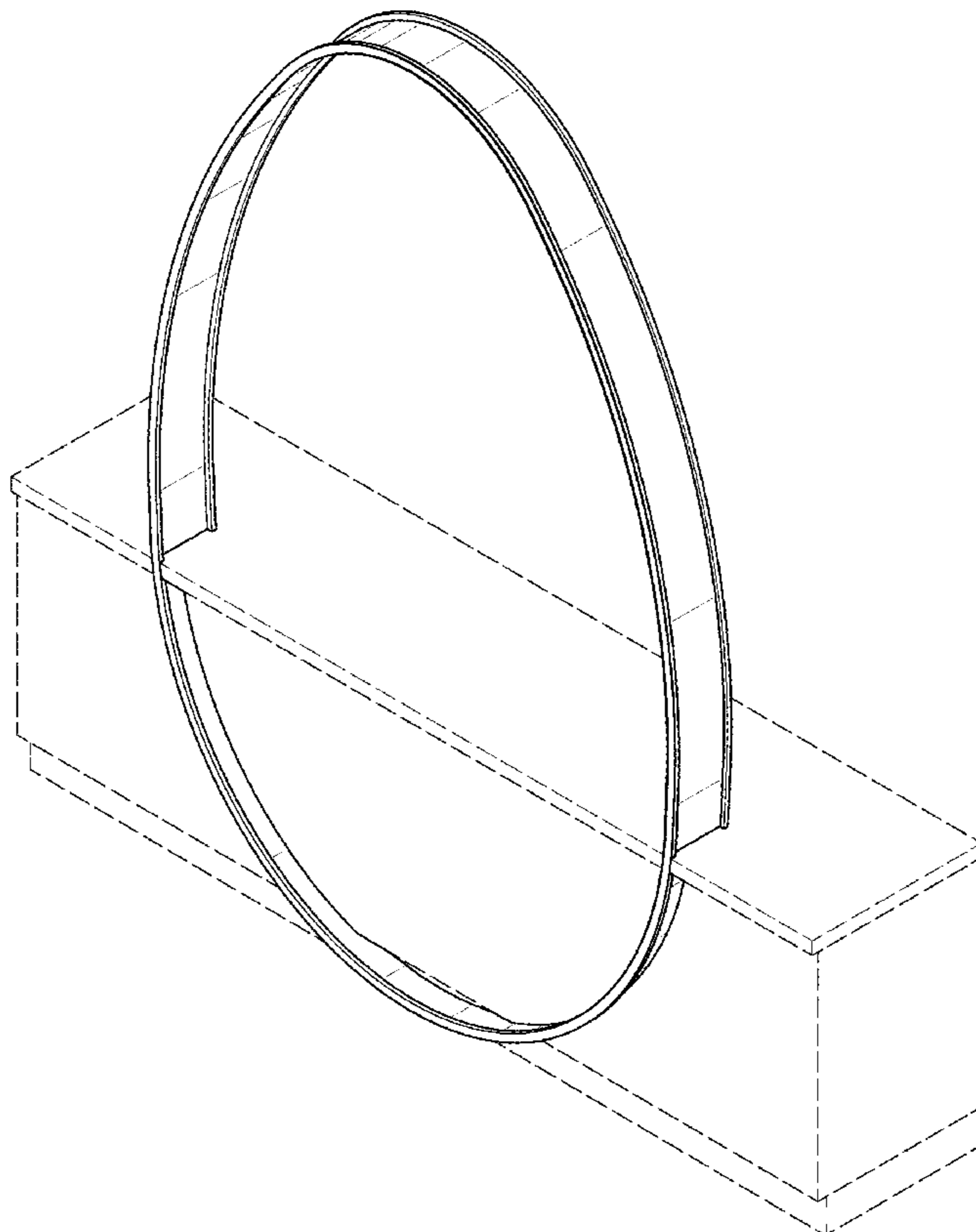
The features shown in broken lines in FIG. 6 represent environmental structure and form no part of the claimed design.

(56) **References Cited**

U.S. PATENT DOCUMENTS

- D39,638 S * 10/1908 Eustis D6/309
- D138,821 S * 9/1944 Larson D6/708
- D236,397 S * 8/1975 Kramer D6/699
- D333,395 S * 2/1993 Loznikov D6/708
- D488,626 S * 4/2004 Kruger D6/309
- D604,533 S * 11/2009 Muller D6/708
- D724,359 S * 3/2015 Murchison D6/682.1

1 Claim, 4 Drawing Sheets



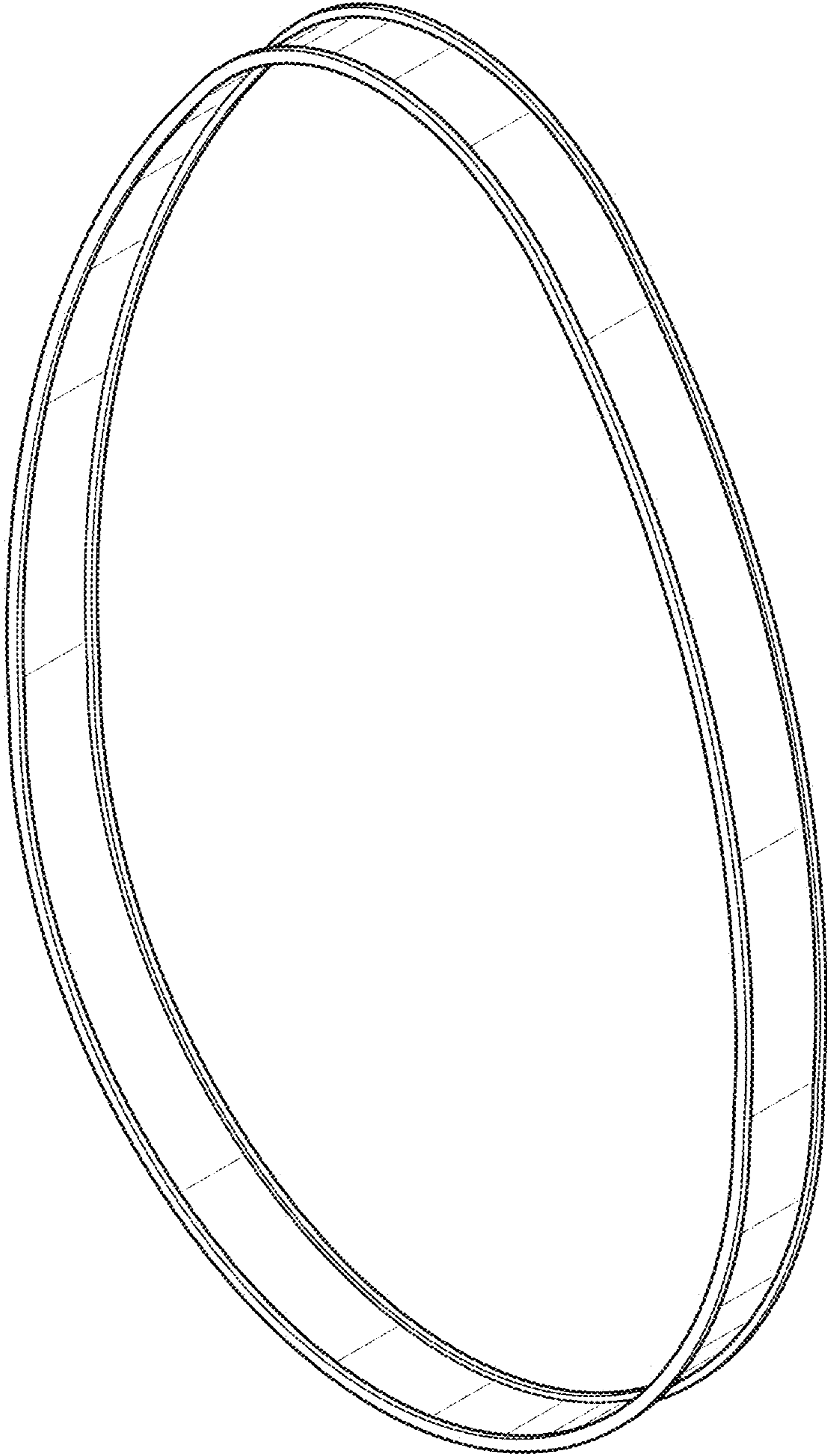


FIG. 1

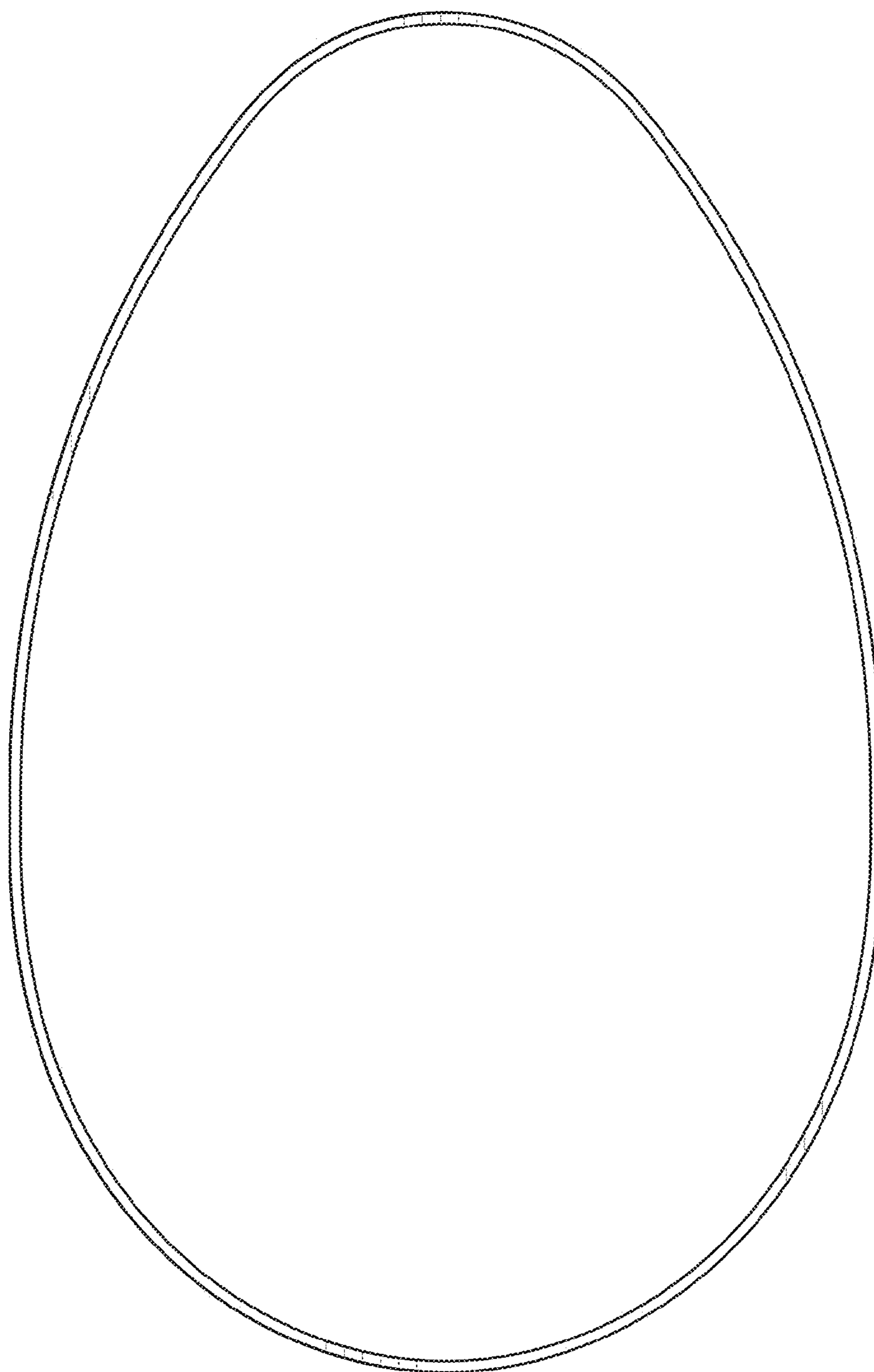


FIG. 2



FIG. 3



FIG. 4

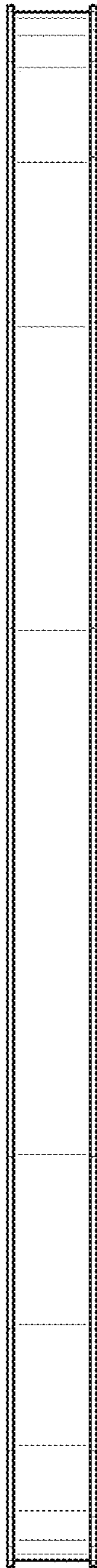


FIG. 5

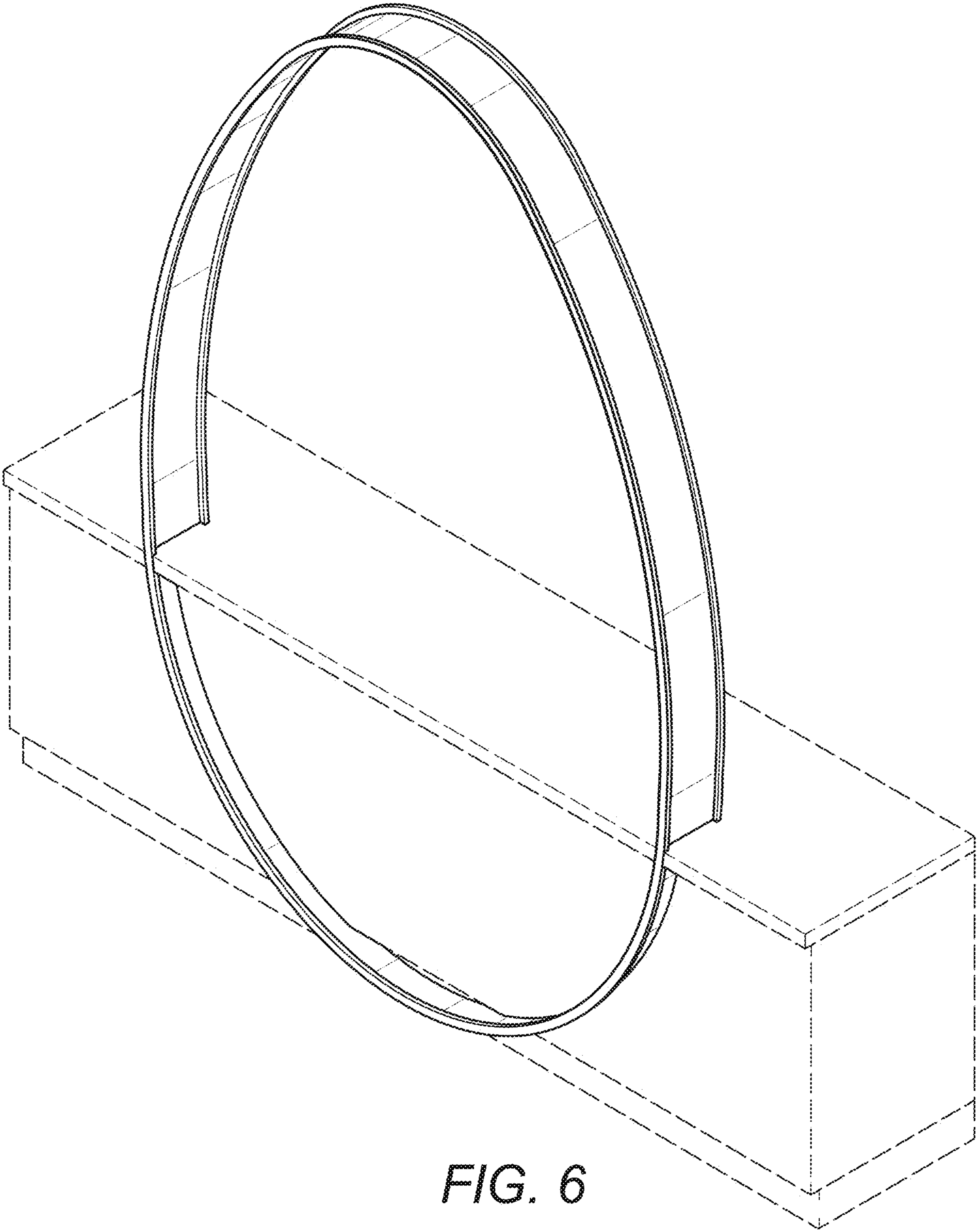


FIG. 6