



US00D911757S

(12) **United States Design Patent**
Zhou

(10) **Patent No.:** **US D911,757 S**
(45) **Date of Patent:** **** Mar. 2, 2021**

(54) **MUSIC STAND**

- (71) Applicant: **SUZHOU EWAY TECH CO., LTD.**,
Suzhou (CN)
- (72) Inventor: **Min Zhou**, Suzhou (CN)
- (**) Term: **15 Years**
- (21) Appl. No.: **29/735,743**
- (22) Filed: **May 22, 2020**
- (51) **LOC (13) Cl.** **06-06**
- (52) **U.S. Cl.**
USPC **D6/701**
- (58) **Field of Classification Search**
USPC D6/682, 700-702; D17/199
CPC . A47B 19/00; A47B 19/002; A47B 2019/004;
A47B 2019/006; A47B 2019/008; A47B
97/04; A47B 97/08
See application file for complete search history.

(56) **References Cited**

U.S. PATENT DOCUMENTS

331,811 A	12/1985	Newton	
4,819,902 A	4/1989	Wenger et al.	
D314,873 S	2/1991	Wenger et al.	
D367,971 S *	3/1996	Lynn	A47B 19/002 D6/701
D388,262 S	12/1997	Benting et al.	
5,833,199 A	11/1998	Benting et al.	
D408,650 S	4/1999	Ibarra	
D433,581 S	11/2000	Miller	
D540,564 S	4/2007	Tai	
D557,035 S	12/2007	Huang	
D644,450 S	9/2011	Walter	
D704,486 S *	5/2014	Cho	F16M 11/10 D6/708.25
2003/0052237 A1 *	3/2003	Yu	F16M 11/10 248/125.8

(Continued)

OTHER PUBLICATIONS

Music Stand by Thonet for Gebrüder Thonet Vienna GmbH, available at Pamono.com Production period 1890-1919 <https://www.pamono.com/music-stand-by-thonet-for-gebrueder-thonet-vienna-gmbh>.*

(Continued)

Primary Examiner — Mary Ann Calabrese

(74) *Attorney, Agent, or Firm* — Law Offices of Steven W. Weinrieb

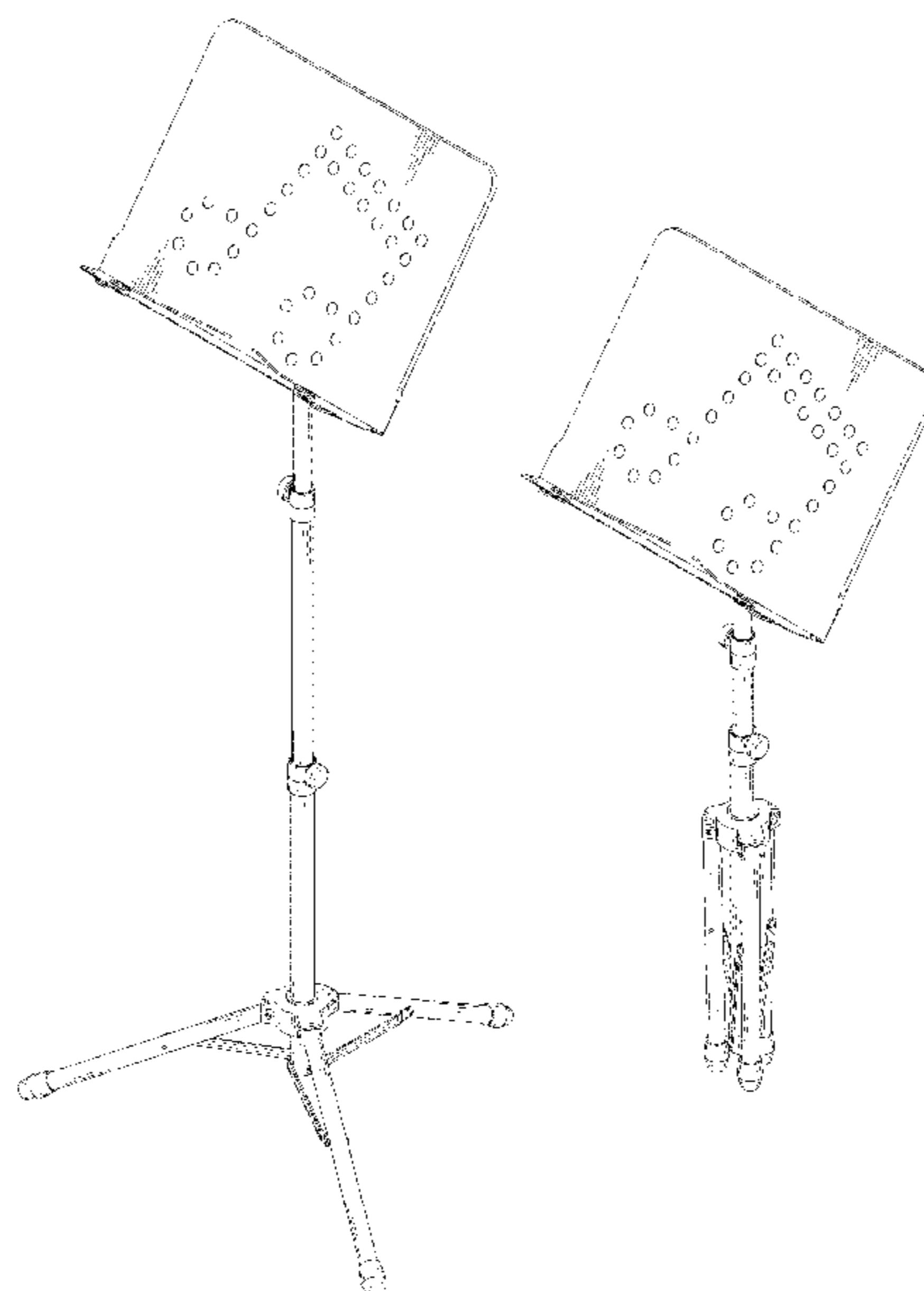
(57) **CLAIM**

The ornamental design for a music stand, as shown and described.

DESCRIPTION

FIG. 1 is a front, right side, top perspective view of a music stand showing my new design;
 FIG. 2 is a rear, left side, bottom perspective view thereof;
 FIG. 3 is a front elevational view thereof;
 FIG. 4 is a rear elevational view thereof;
 FIG. 5 is a left side elevational view thereof;
 FIG. 6 is a right side elevational view thereof;
 FIG. 7 is a top plan view thereof;
 FIG. 8 is a bottom plan view thereof;
 FIG. 9 is a front, right side, top perspective view thereof showing the music sheet holder disposed in a horizontal orientation;
 FIG. 10 is a front, right side, top perspective view thereof showing the vertical mast section of the music stand shown in a partially collapsed position; and,
 FIG. 11 is a front, right side, top perspective view thereof showing the vertical mast section of the music stand shown in a partially collapsed position as well as the three leg members of the music stand shown in a collapsed state.
 The broken lines depict portions of the music stand that form no part of the claimed design.

1 Claim, 11 Drawing Sheets



(56)

References Cited

U.S. PATENT DOCUMENTS

2006/0175523 A1* 8/2006 Tai A47B 19/002
248/460

OTHER PUBLICATIONS

Trademark Serial No. 86526755, Feb. 6, 2015 First used in commerce—
Feb. 14, 2014 (Applicant) Lametina Holdings Ltd. Limited Liability
Company Cyprus Trademark Electronic Service System (TESS).*

* cited by examiner

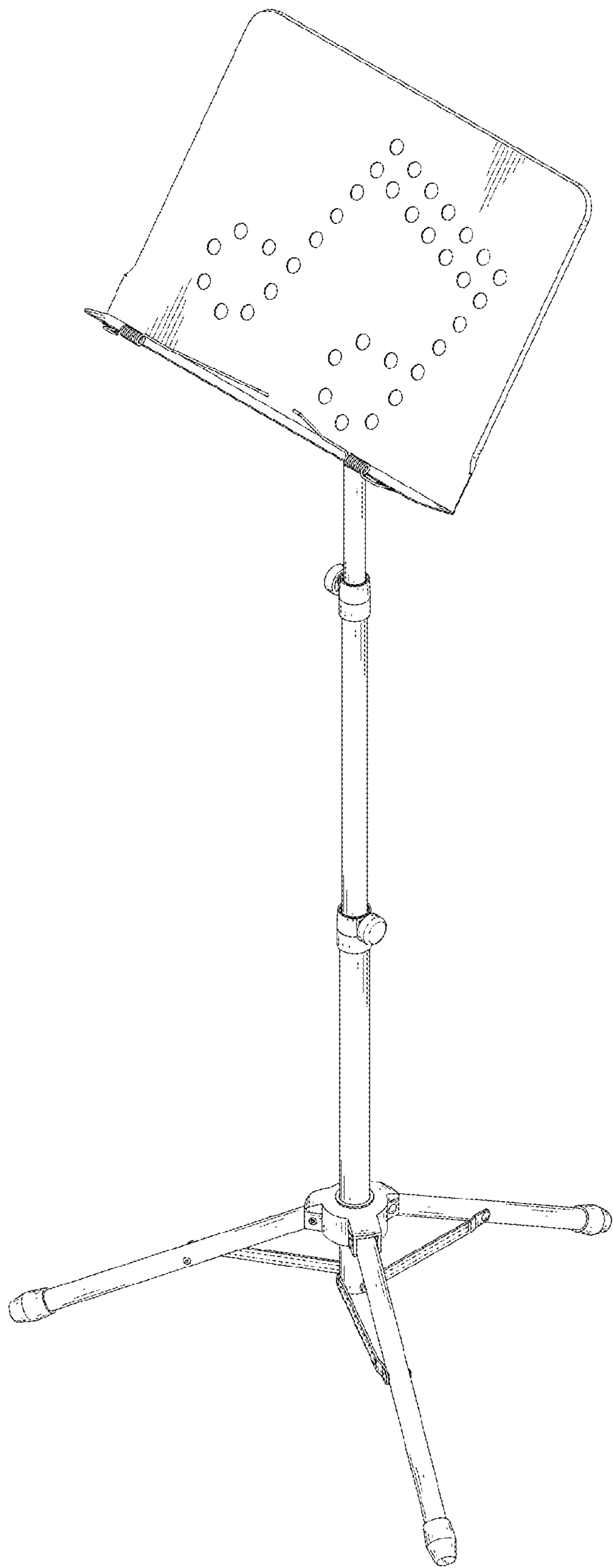


FIG. 1

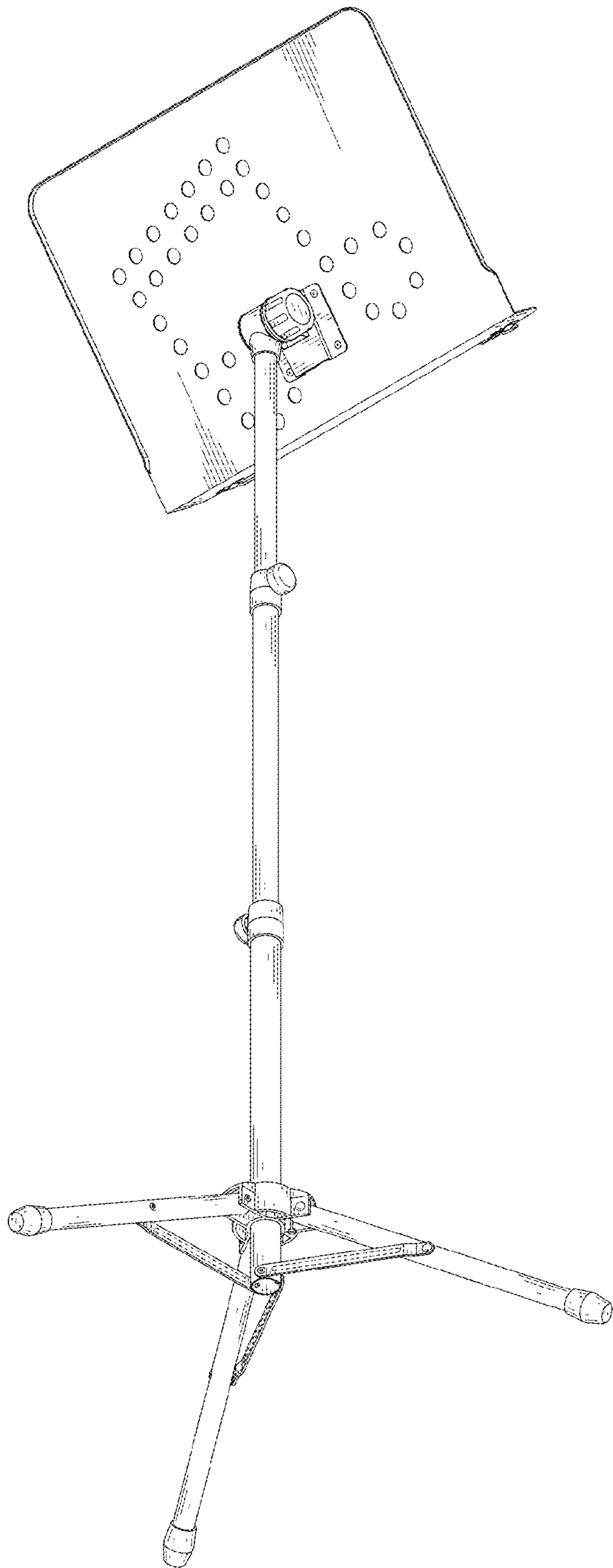


FIG. 2

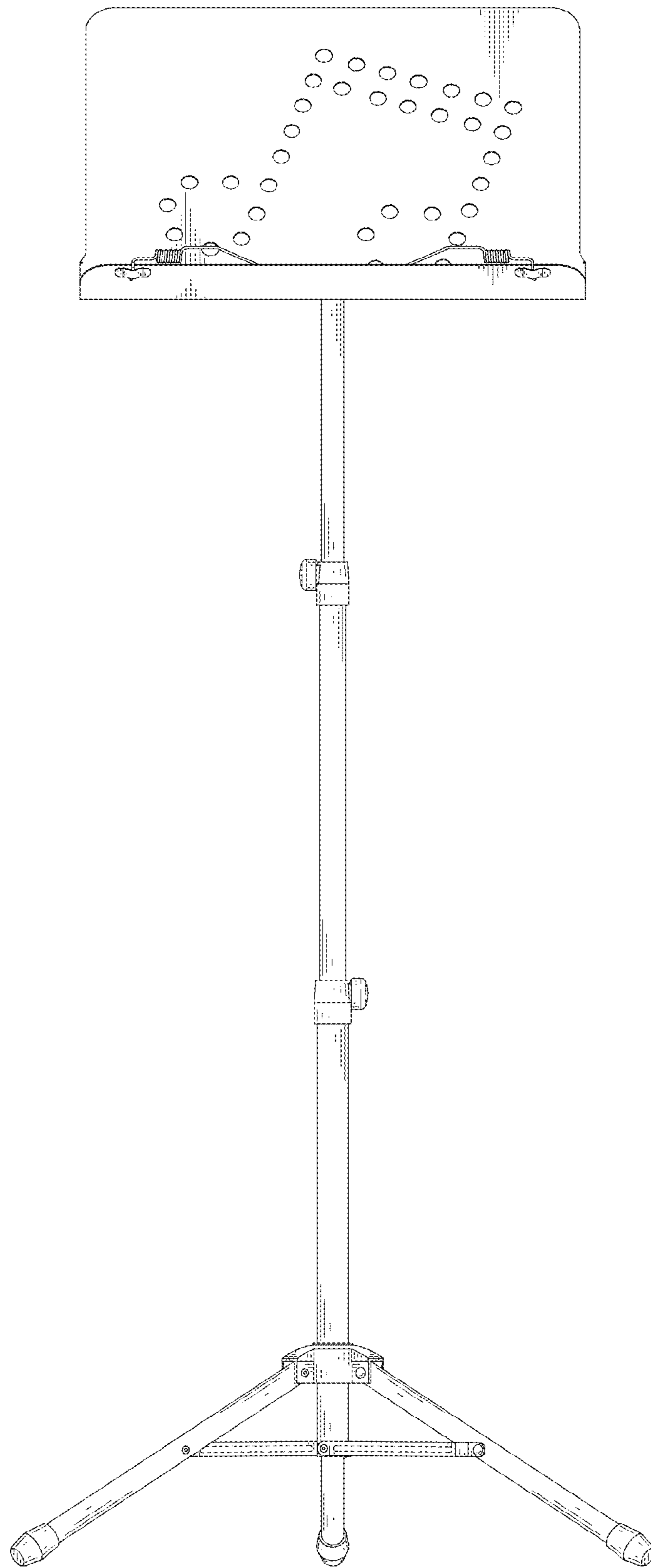


FIG. 3

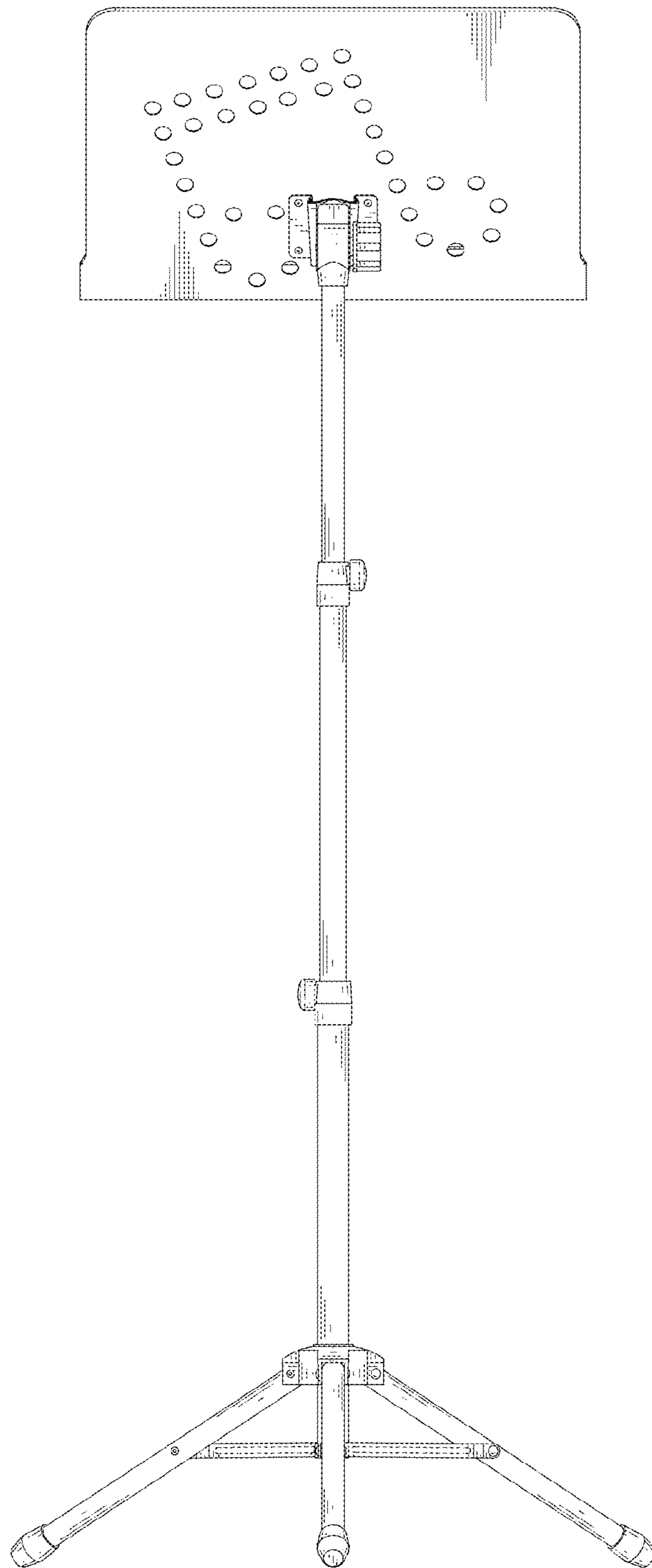


FIG. 4

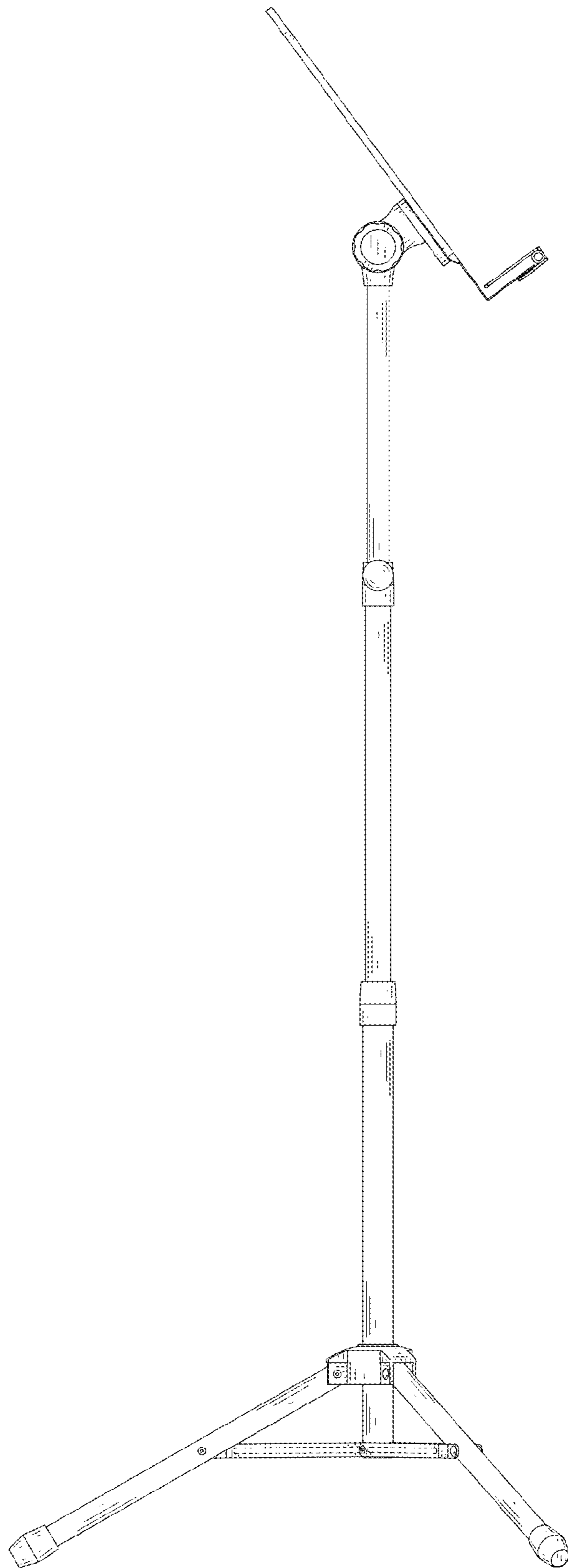


FIG. 5

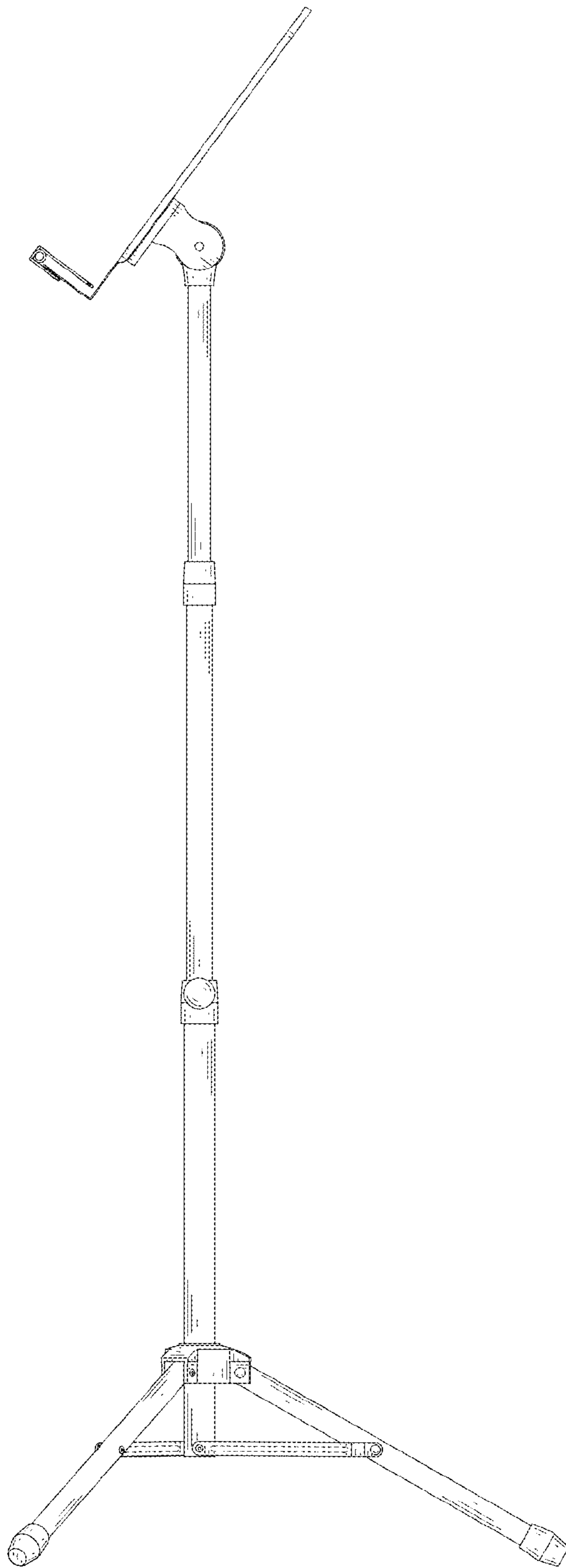


FIG. 6

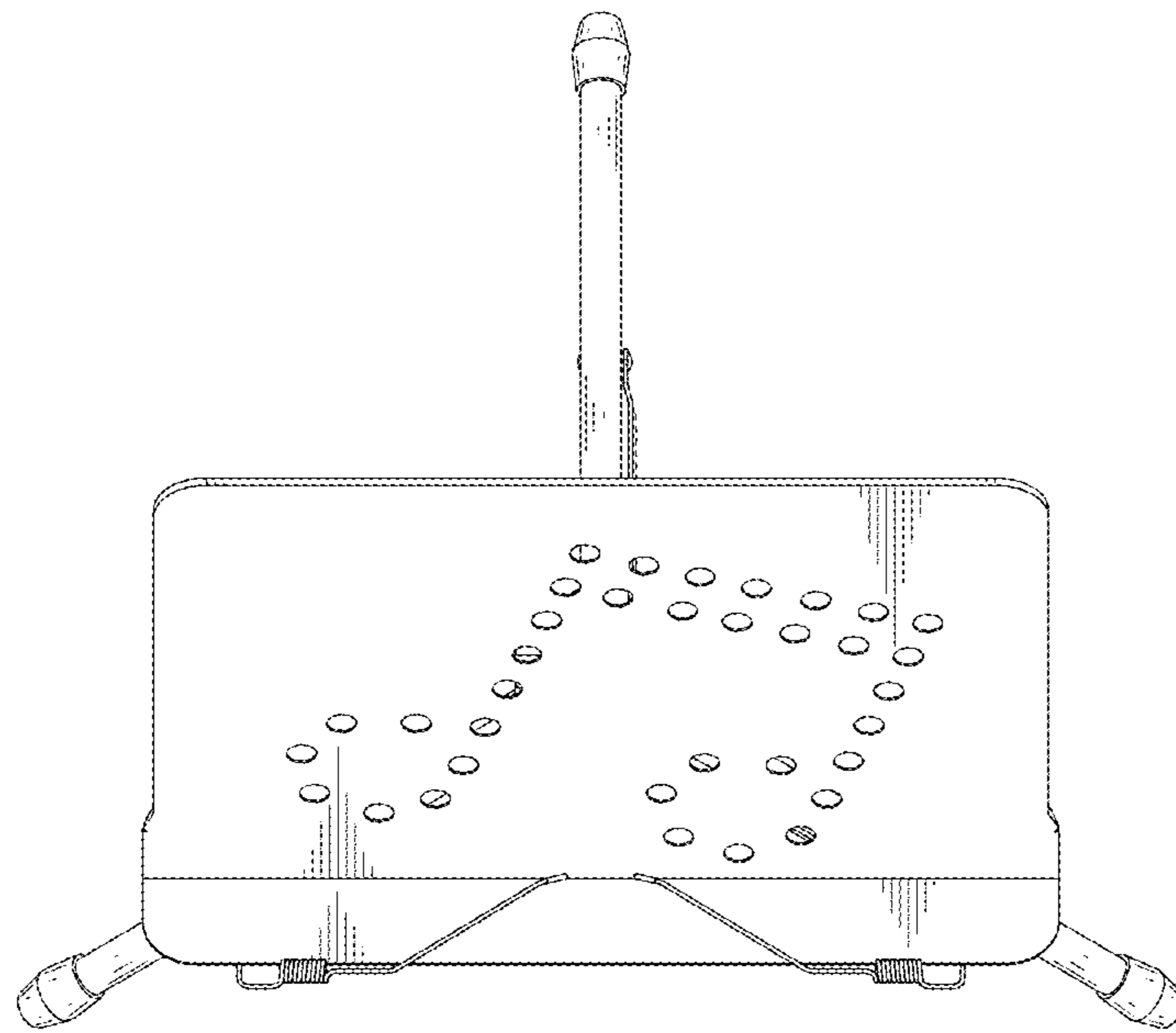


FIG. 7

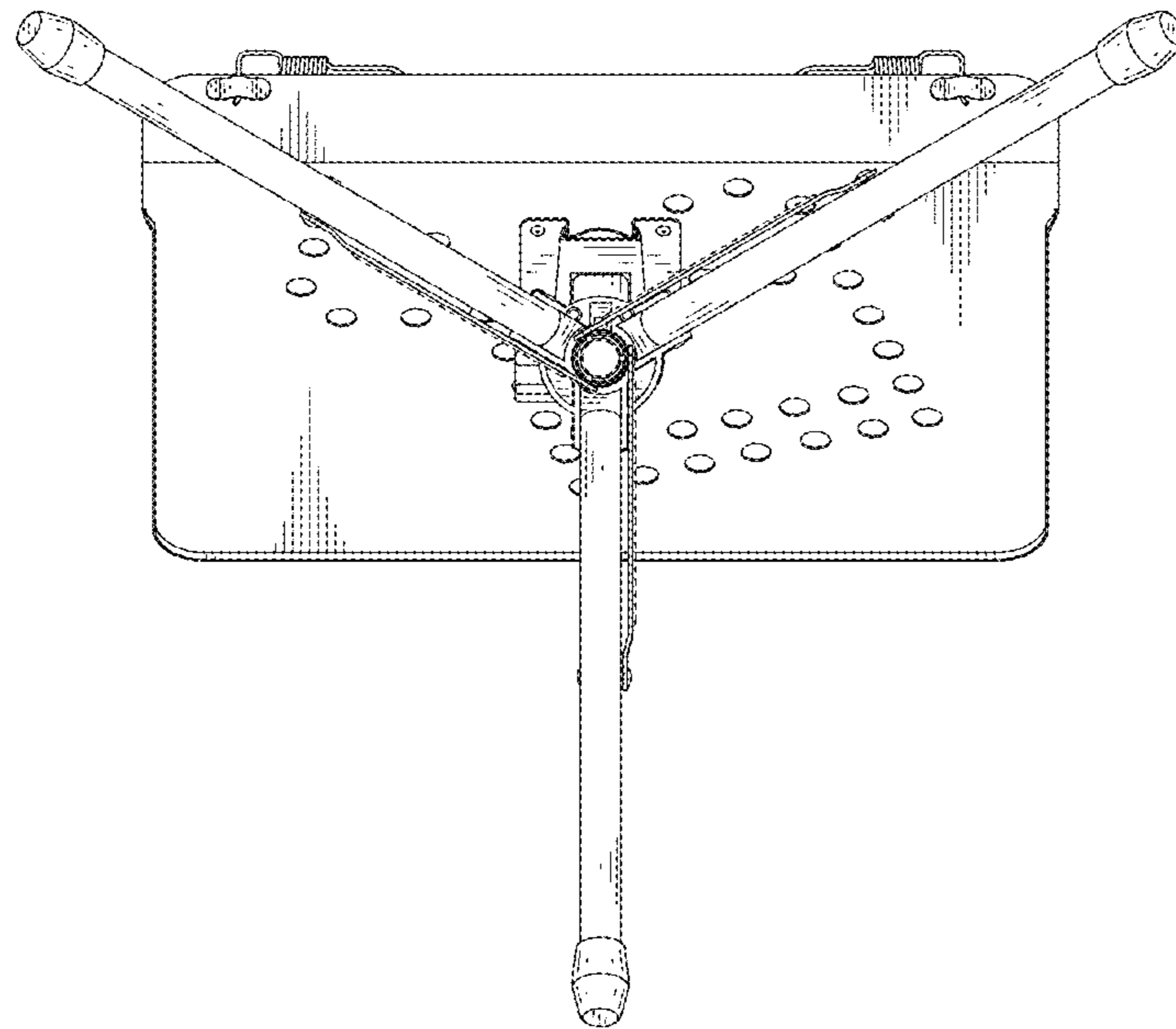


FIG. 8

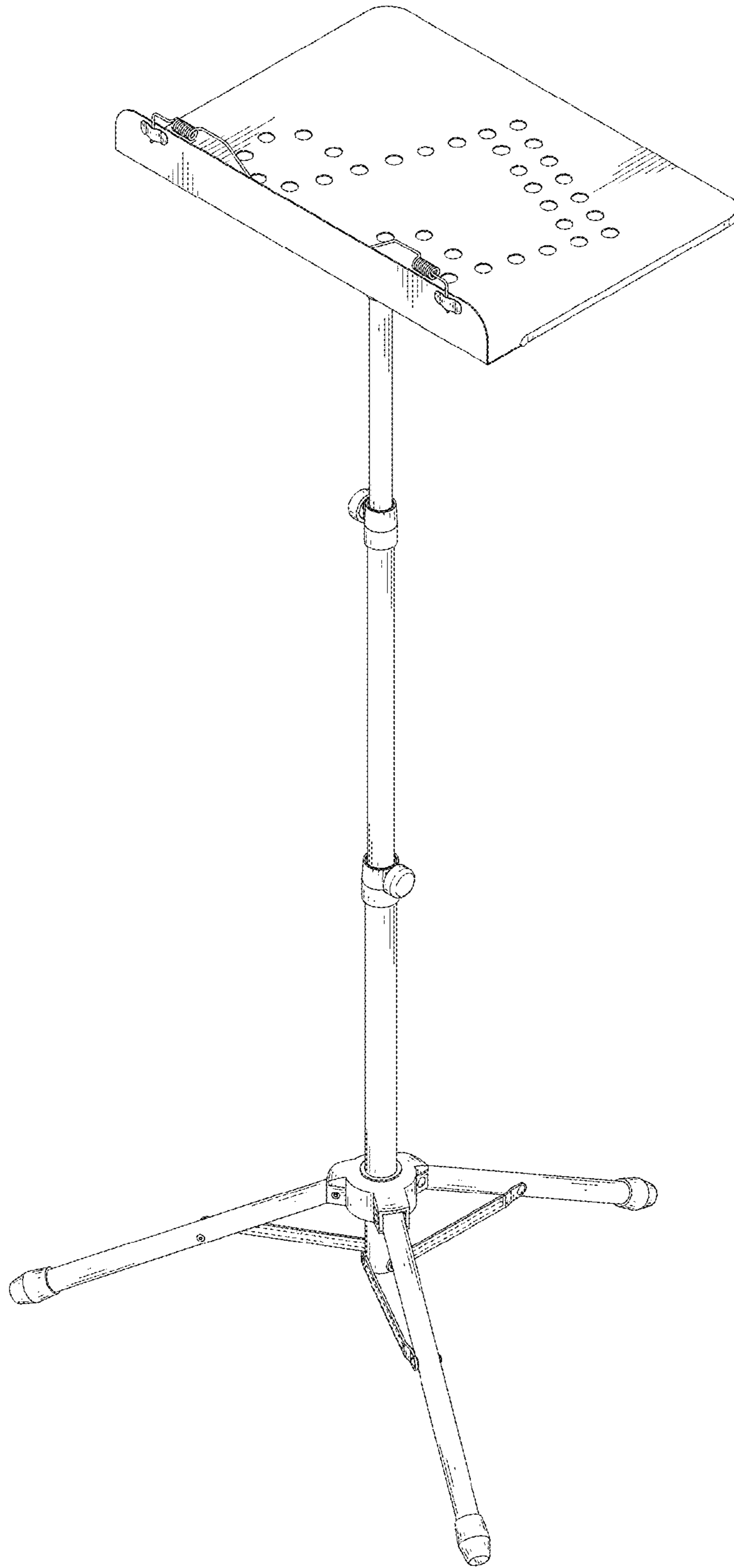


FIG. 9

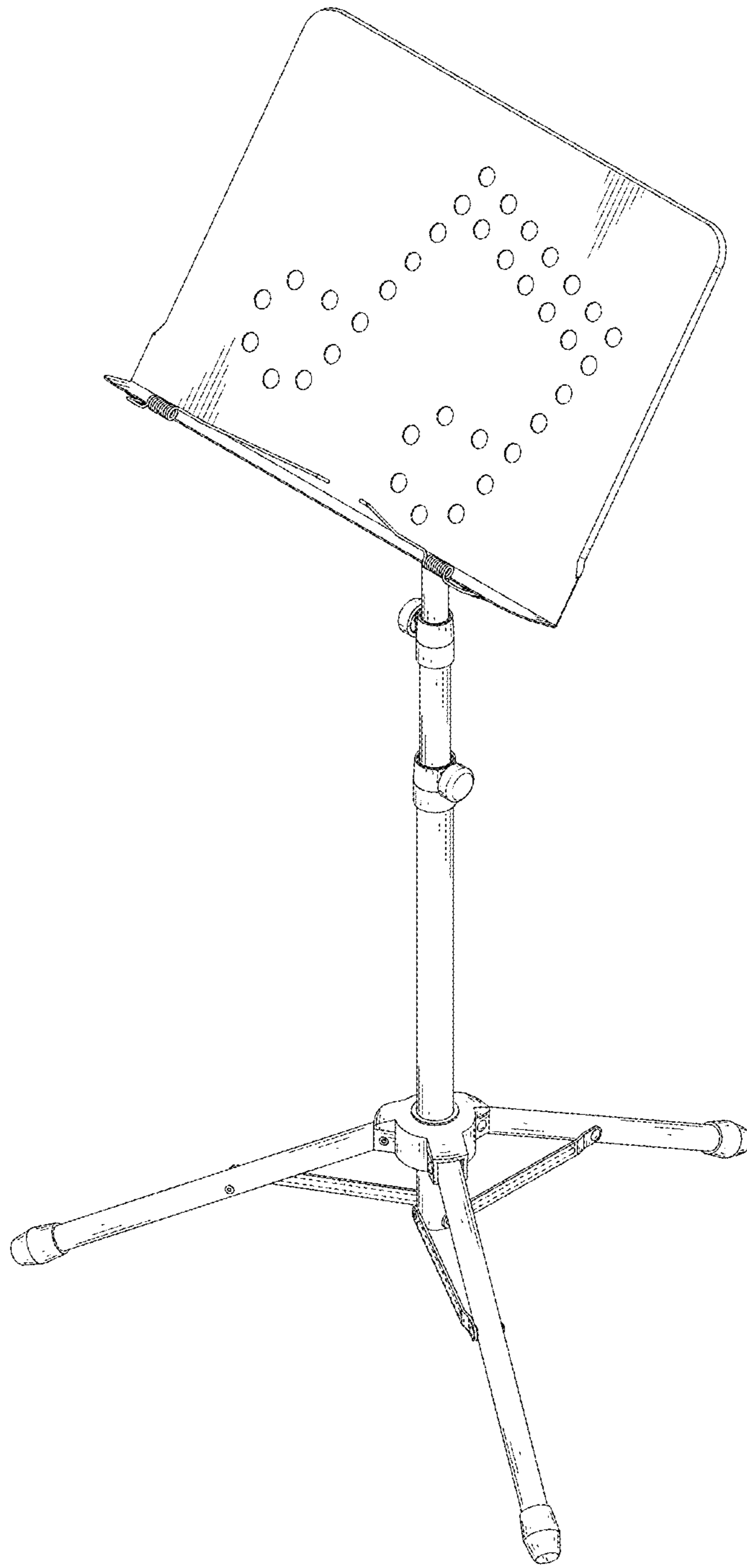


FIG. 10

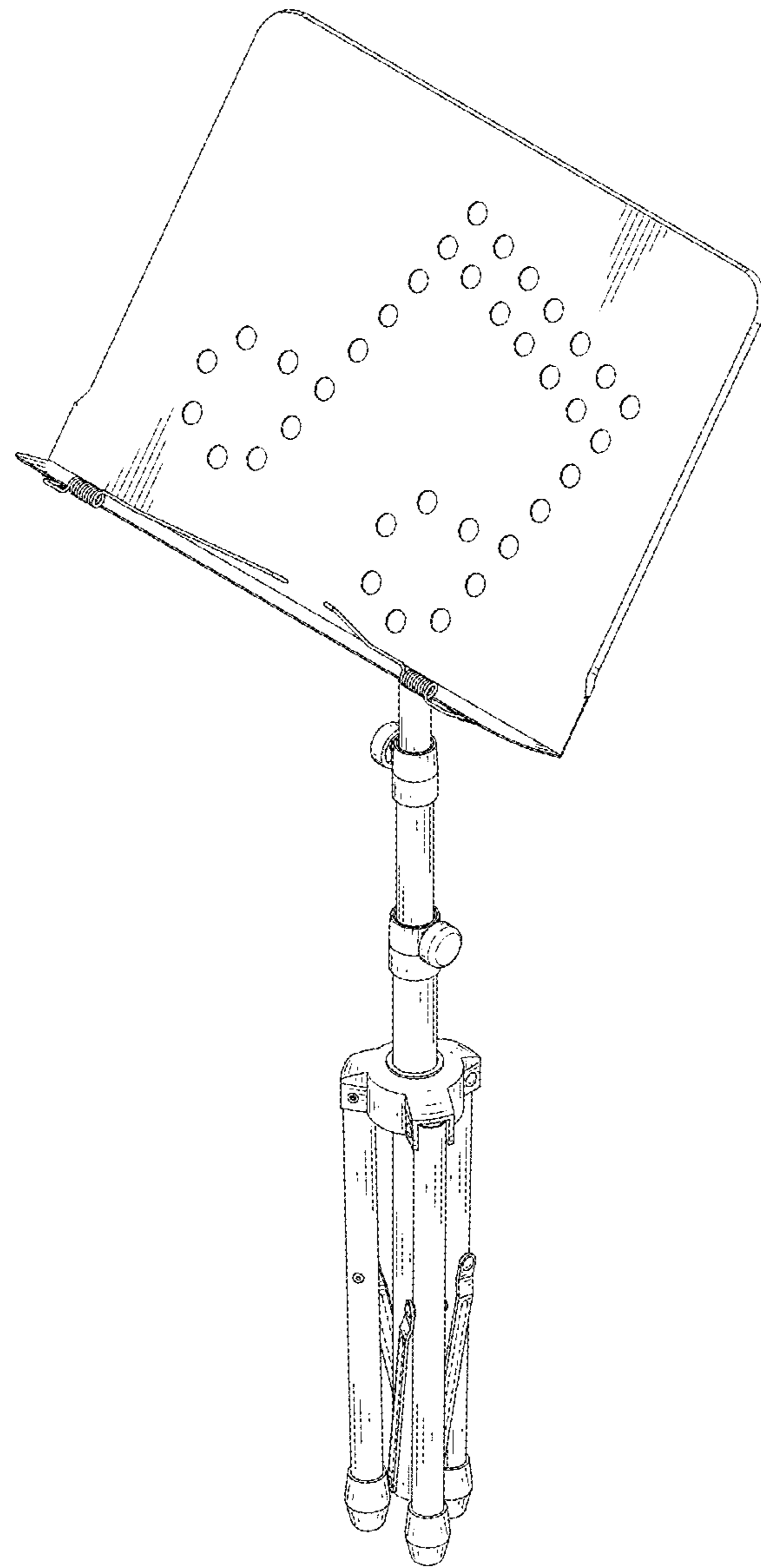


FIG. 11