



US00D911753S

(12) **United States Design Patent** (10) **Patent No.:** **US D911,753 S**  
**Gartland** (45) **Date of Patent:** **\*\* Mar. 2, 2021**

(54) **WORKSTATION**

D627,178 S \* 11/2010 Adams ..... D6/656.12  
D649,811 S \* 12/2011 Martin ..... D6/644  
D717,572 S \* 11/2014 Morrison ..... A47B 13/02  
D6/691.1

(71) Applicant: **HERMAN MILLER, INC.**, Zeeland,  
MI (US)

(Continued)

(72) Inventor: **Paul Gartland**, Holland, MI (US)

*Primary Examiner* — Mary Ann Calabrese

(73) Assignee: **HERMAN MILLER, INC.**, Zeeland,  
MI (US)

(74) *Attorney, Agent, or Firm* — Michael Best &  
Friedrich LLP

(\*\*) Term: **15 Years**

(57) **CLAIM**

I claim the ornamental design for a workstation, as shown  
and described.

(21) Appl. No.: **29/685,292**

**DESCRIPTION**

(22) Filed: **Mar. 27, 2019**

(51) **LOC (13) Cl.** ..... **06-03**

(52) **U.S. Cl.**  
USPC ..... **D6/644**

(58) **Field of Classification Search**  
USPC ..... D6/641–643, 644, 647, 656, 656.1,  
D6/656.12, 656.16, 685, 686, 690, 691,  
D6/691.5, 691.6

CPC .. A47B 7/00; A47B 9/00; A47B 13/00; A47B  
13/02; A47B 13/04; A47B 13/06; A47B  
13/08; A47B 13/10; A47B 13/12; A47B  
13/17; A47B 13/19; A47B 13/21; A47B  
2200/0001; A47B 2200/0011; A47B  
2200/002

See application file for complete search history.

FIG. 1 is a front perspective view of a first embodiment of  
a workstation showing my new design.

FIG. 2 is a front view of the workstation shown in FIG. 1.

FIG. 3 is a rear view of the workstation shown in FIG. 1.

FIG. 4 is a first side view of the workstation shown in FIG.  
1.

FIG. 5 is a second side view of the workstation shown in  
FIG. 1.

FIG. 6 is a top view of the workstation shown in FIG. 1.

FIG. 7 is a bottom view of the workstation shown in FIG. 1.

FIG. 8 is a front perspective view of a second embodiment  
of a workstation showing my new design.

FIG. 9 is a front view of the workstation shown in FIG. 8.

FIG. 10 is a rear view of the workstation shown in FIG. 8.

FIG. 11 is a first side view of the workstation shown in FIG.  
8.

FIG. 12 is a second side view of the workstation shown in  
FIG. 8.

FIG. 13 is a top view of the workstation shown in FIG. 8;  
and,

FIG. 14 is a bottom view of the workstation shown in FIG.  
8.

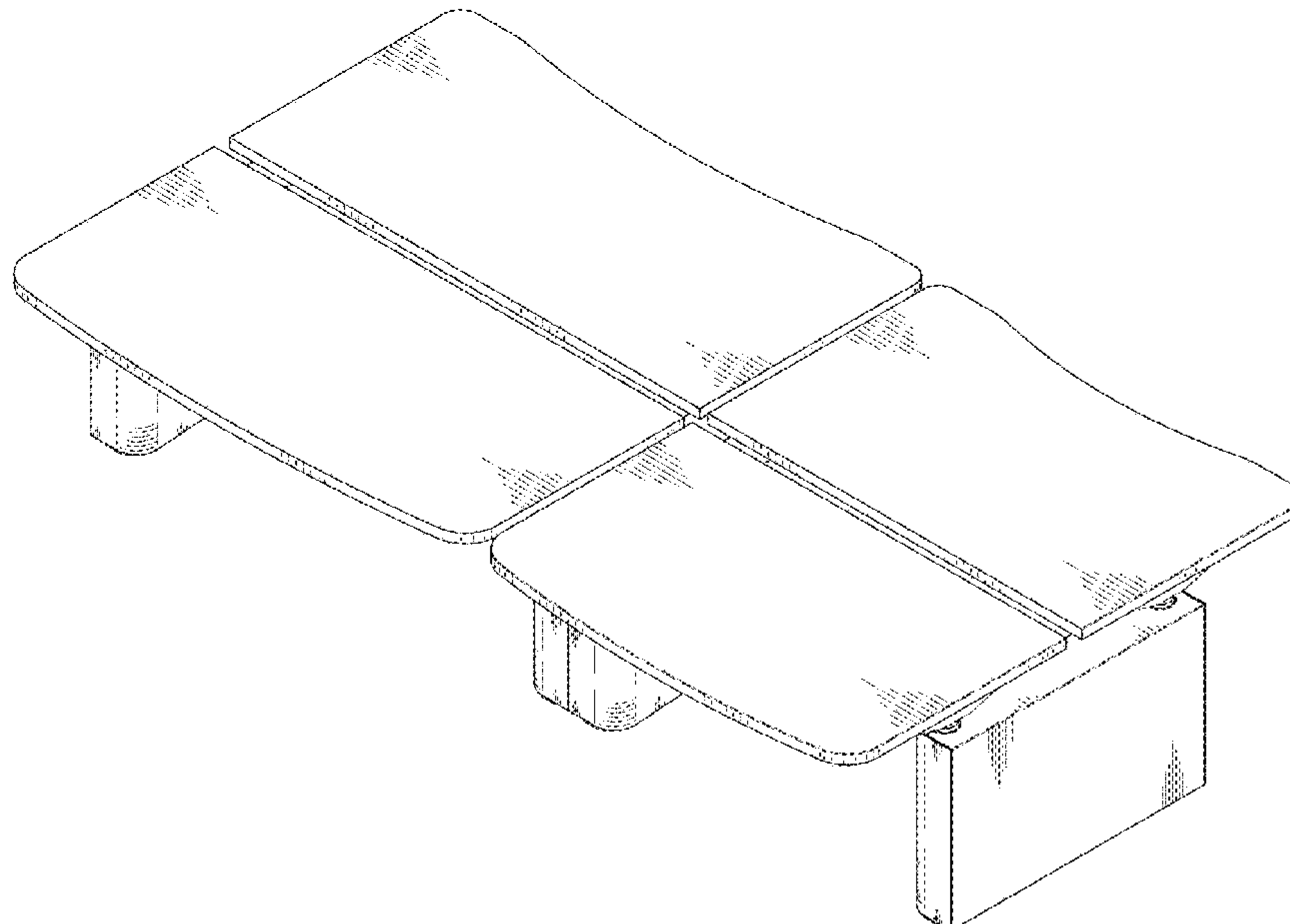
The broken lines in the drawings illustrate portions of the  
workstation that form no part of the claimed design.

(56) **References Cited**

**U.S. PATENT DOCUMENTS**

D99,565 S \* 5/1936 Talbert ..... D6/656.16  
D247,080 S \* 1/1978 Robinson ..... D6/690  
5,259,326 A \* 11/1993 Borgman ..... A47B 9/00  
108/147  
6,349,907 B1 \* 2/2002 Hollington ..... A47B 13/02  
248/188.4

**1 Claim, 14 Drawing Sheets**



(56)

**References Cited**

U.S. PATENT DOCUMENTS

D839,027 S \* 1/2019 Yamamoto ..... D6/644  
D845,046 S \* 4/2019 Velez ..... A47B 9/00  
D6/691.1

\* cited by examiner

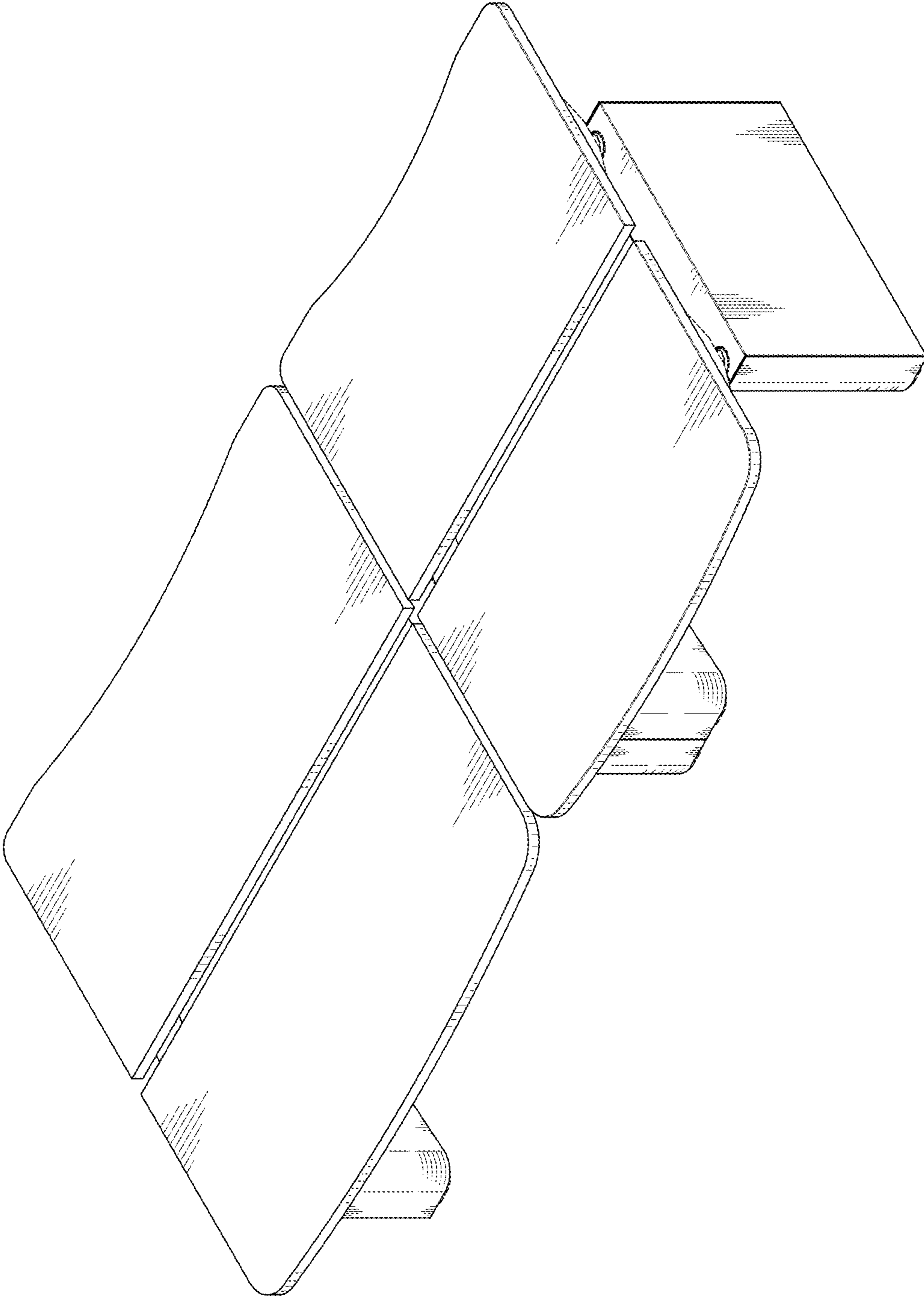


FIG. 1

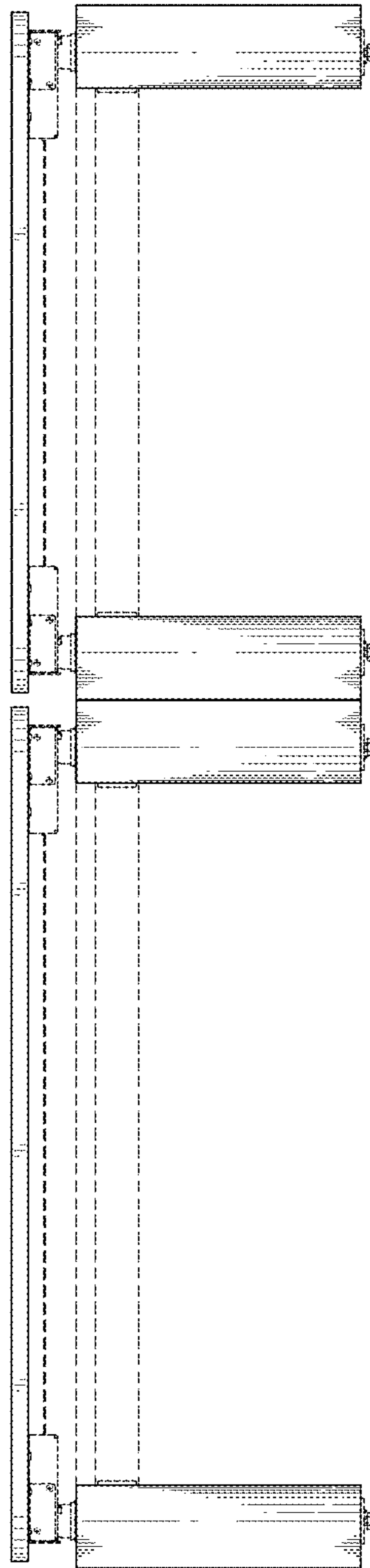


FIG. 2

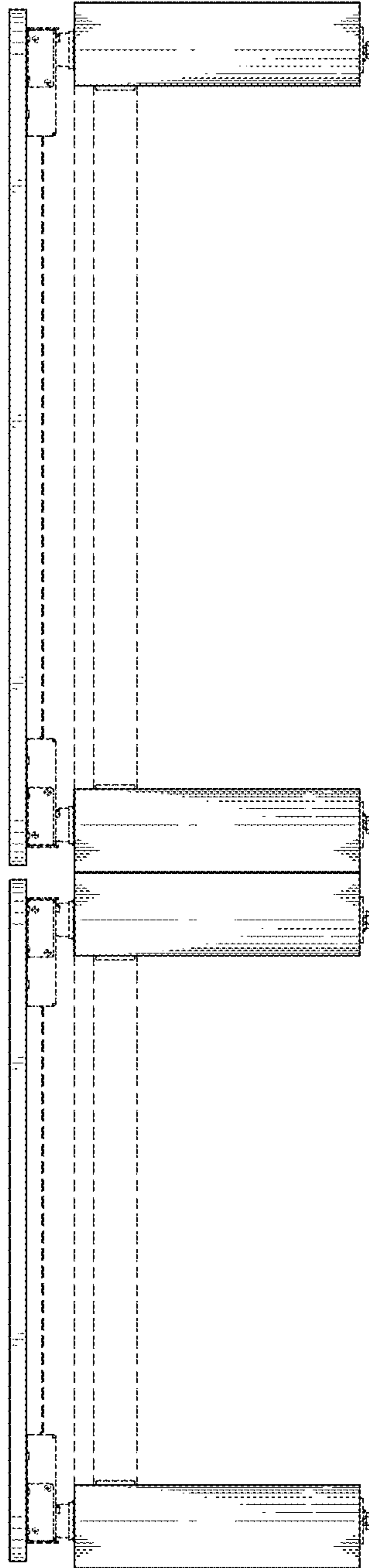


FIG. 3

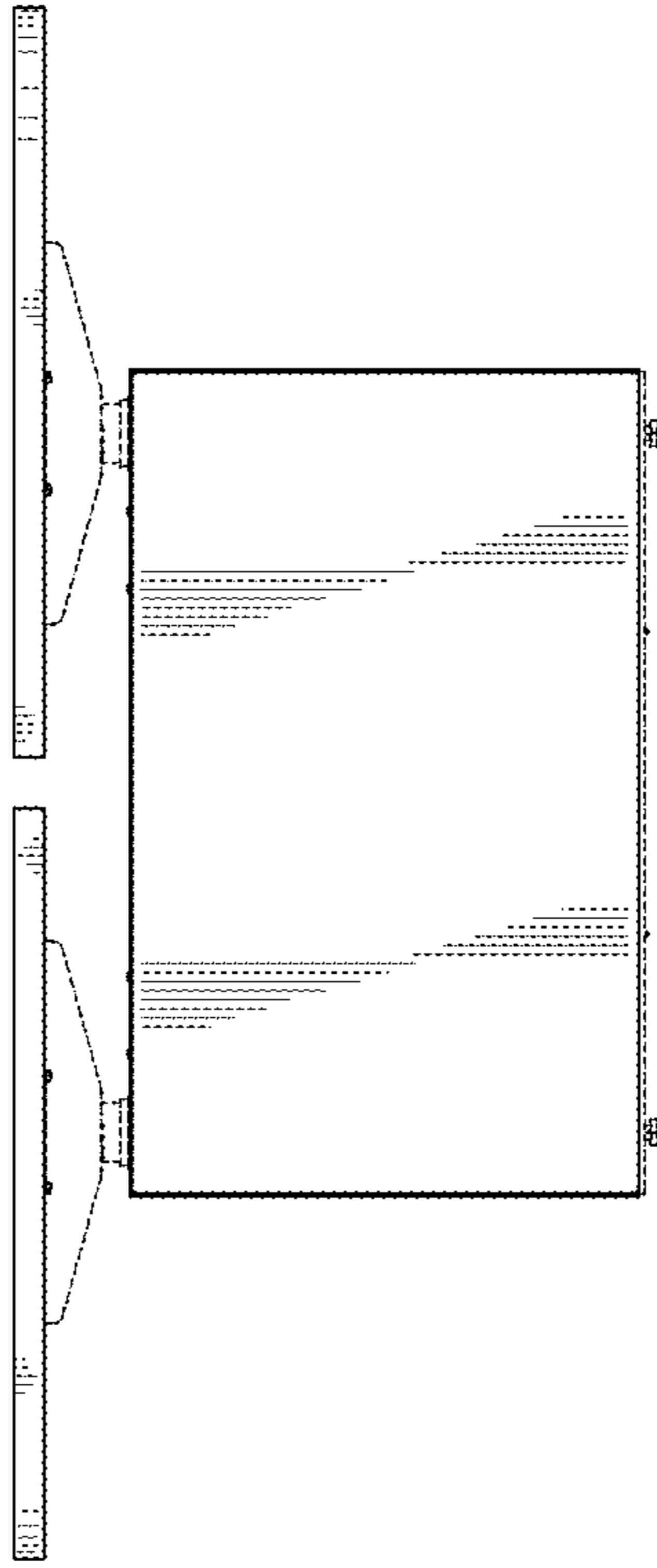


FIG. 4

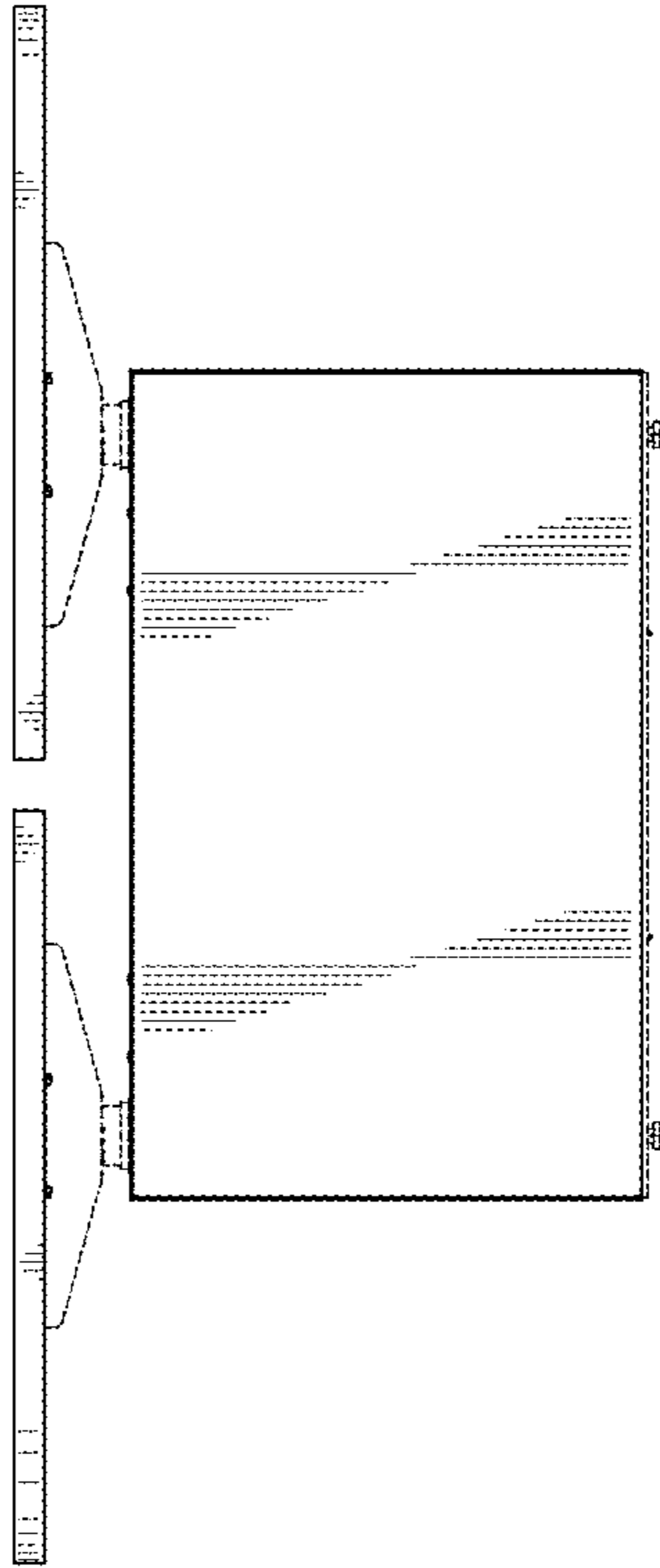


FIG. 5

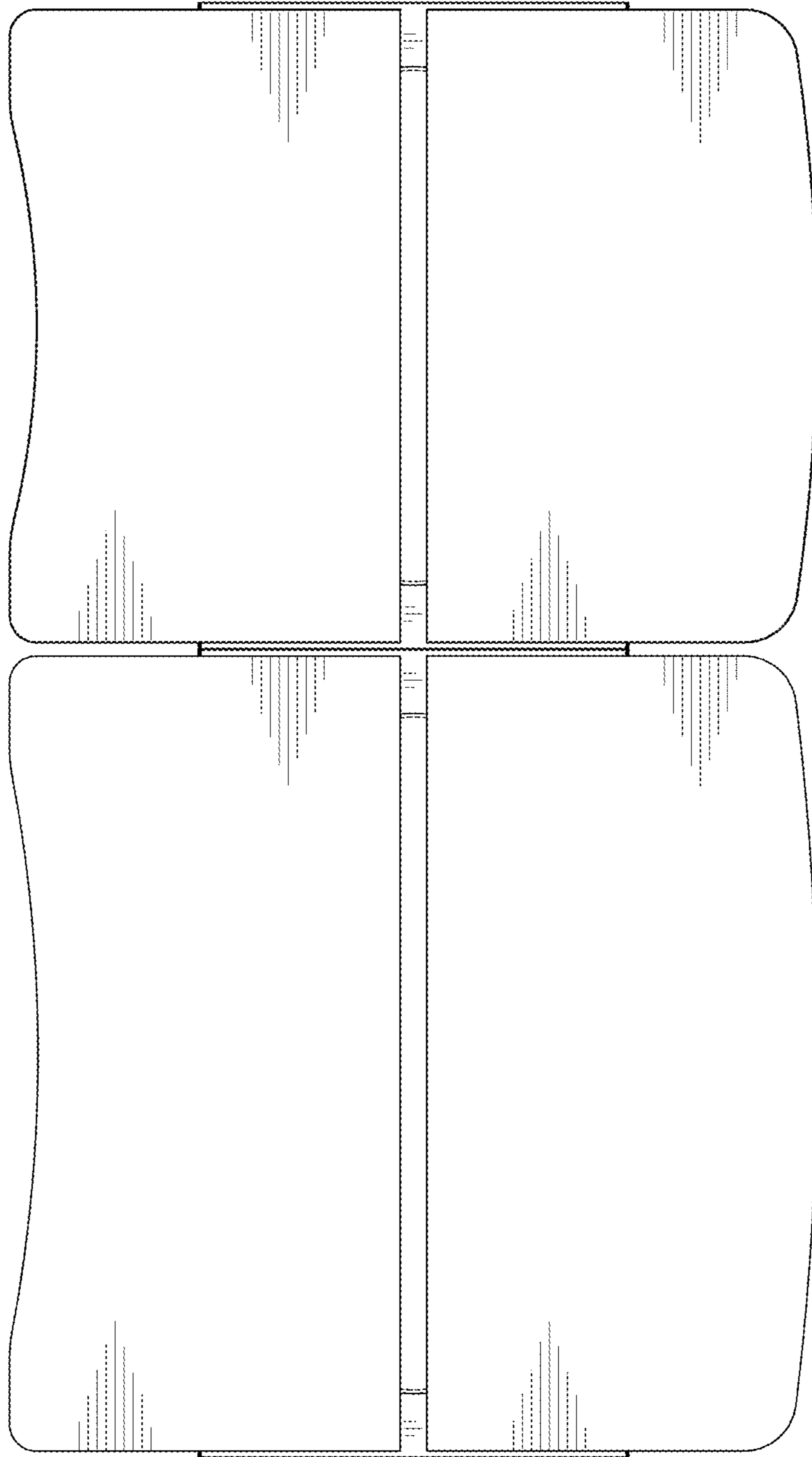


FIG. 6



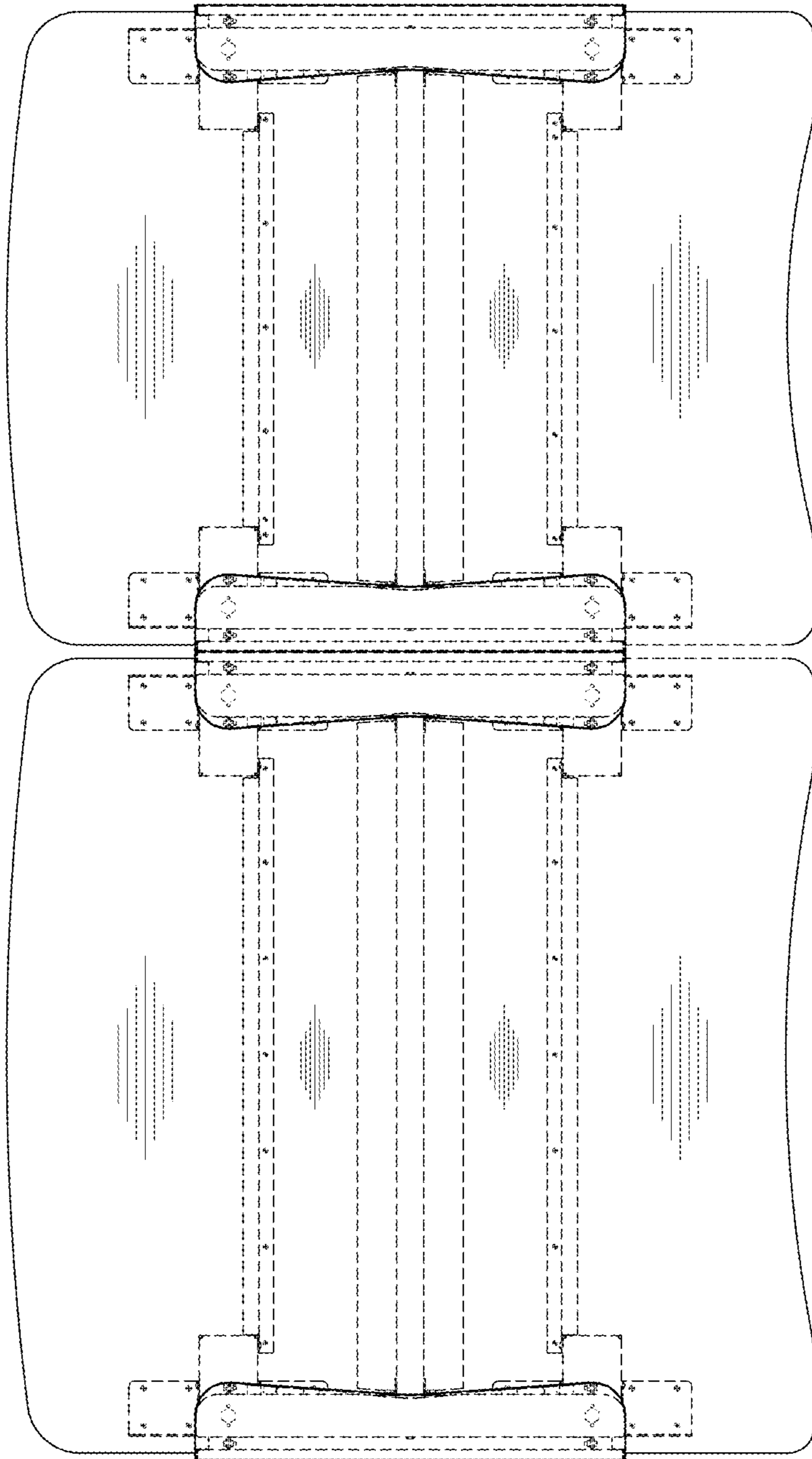


FIG. 7

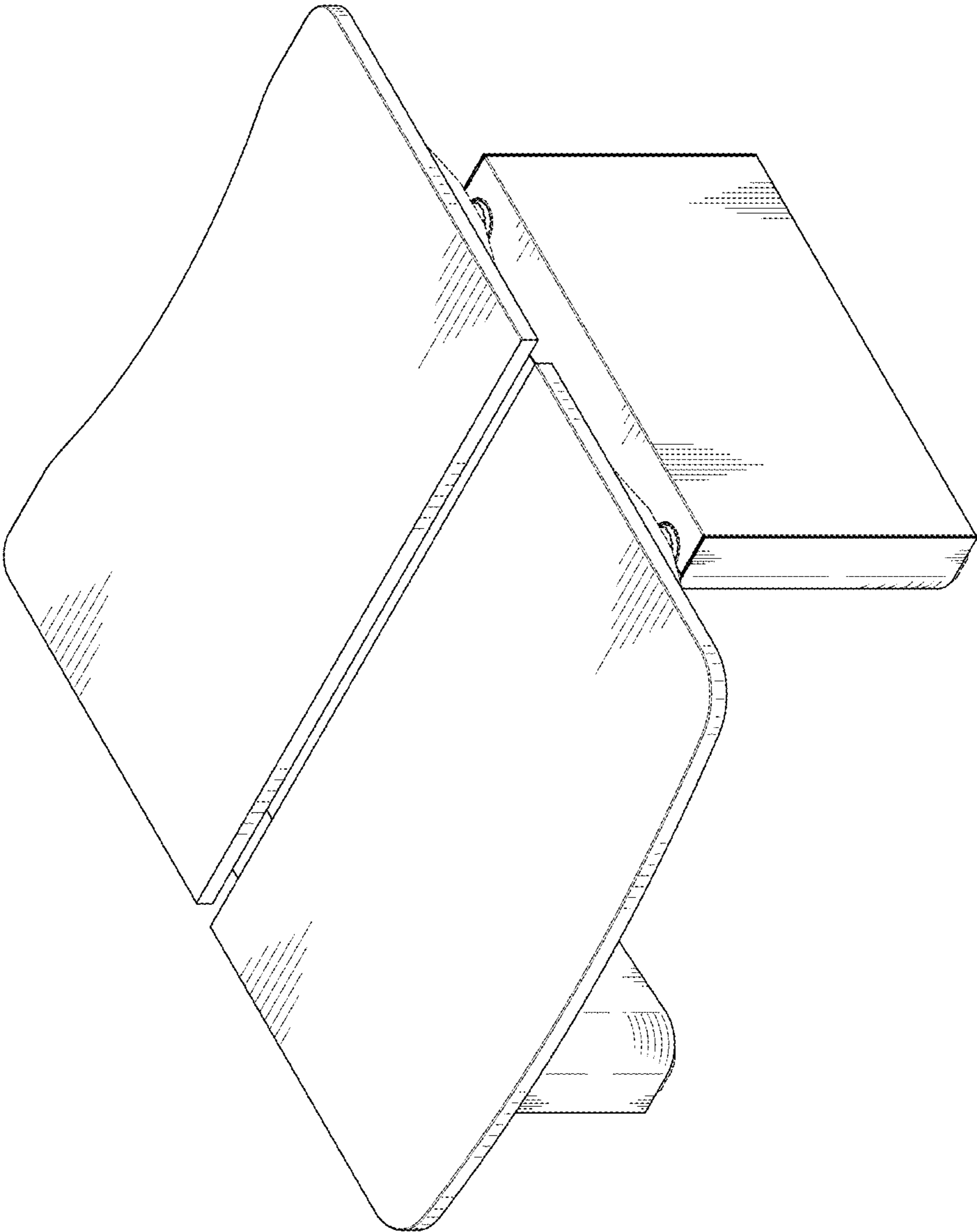


FIG. 8

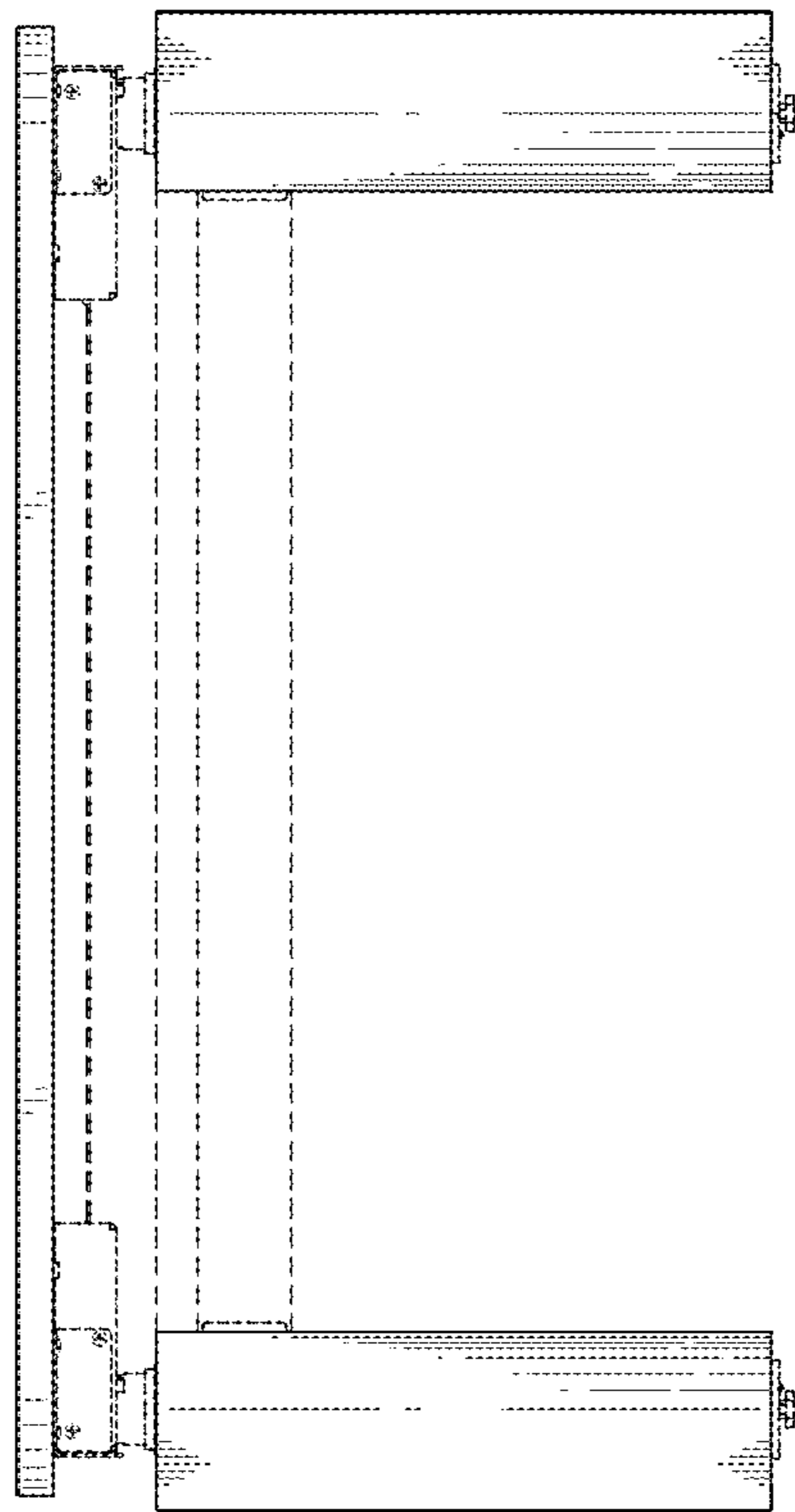


FIG. 9

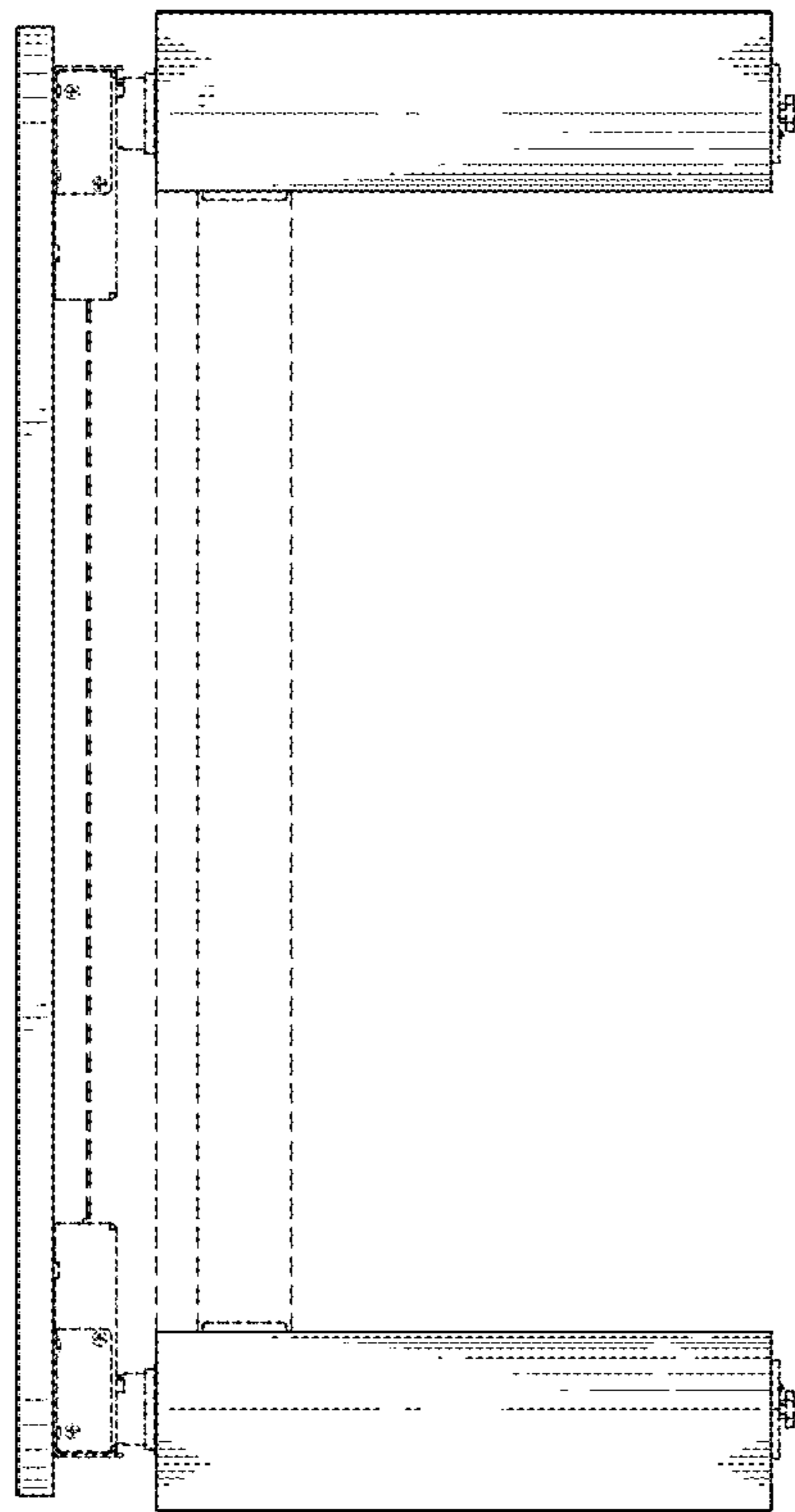


FIG. 10

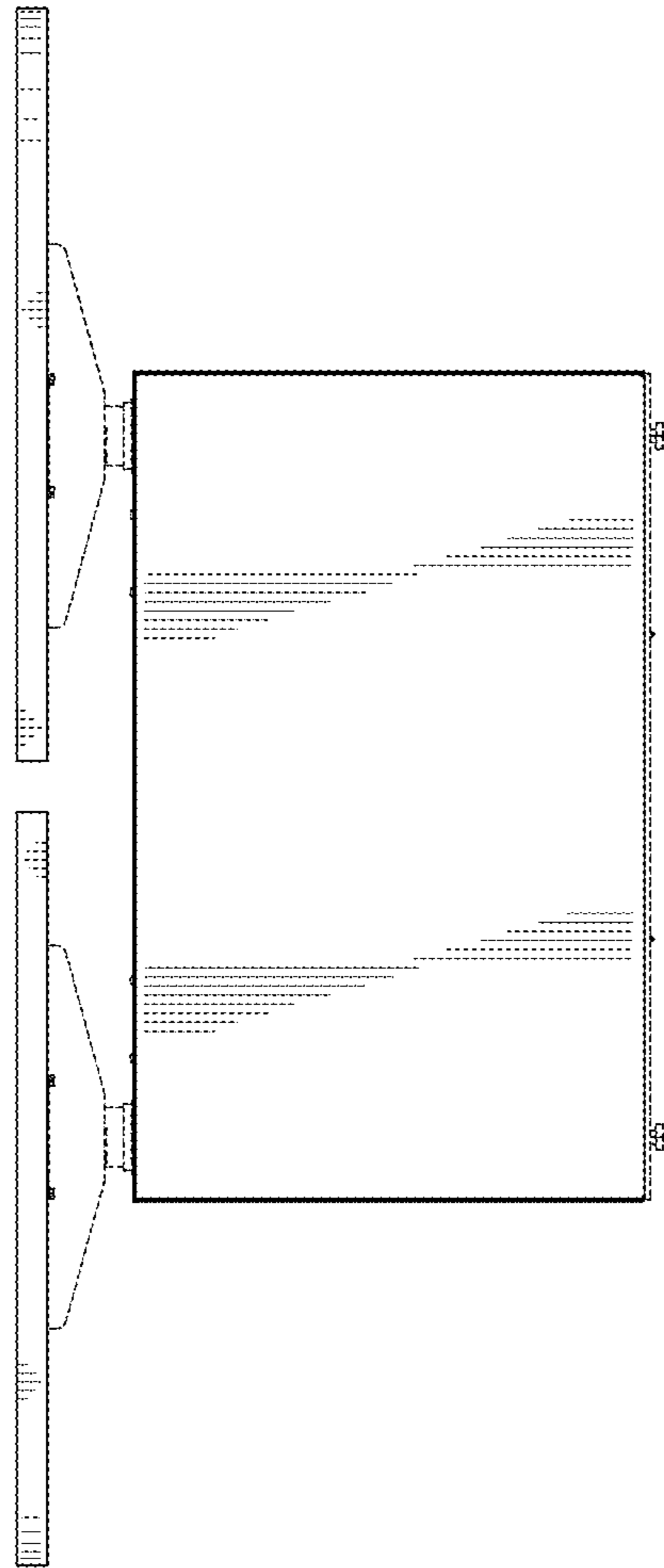


FIG. 11

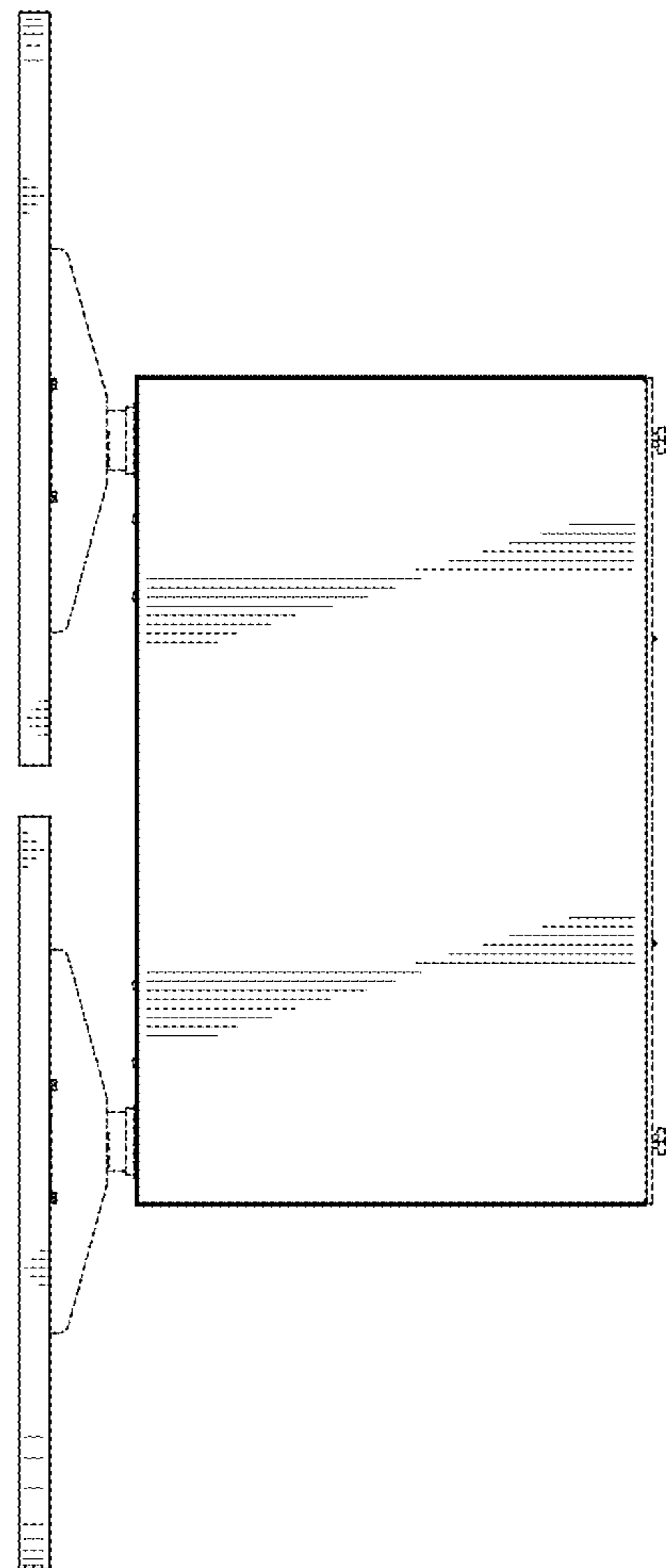


FIG. 12

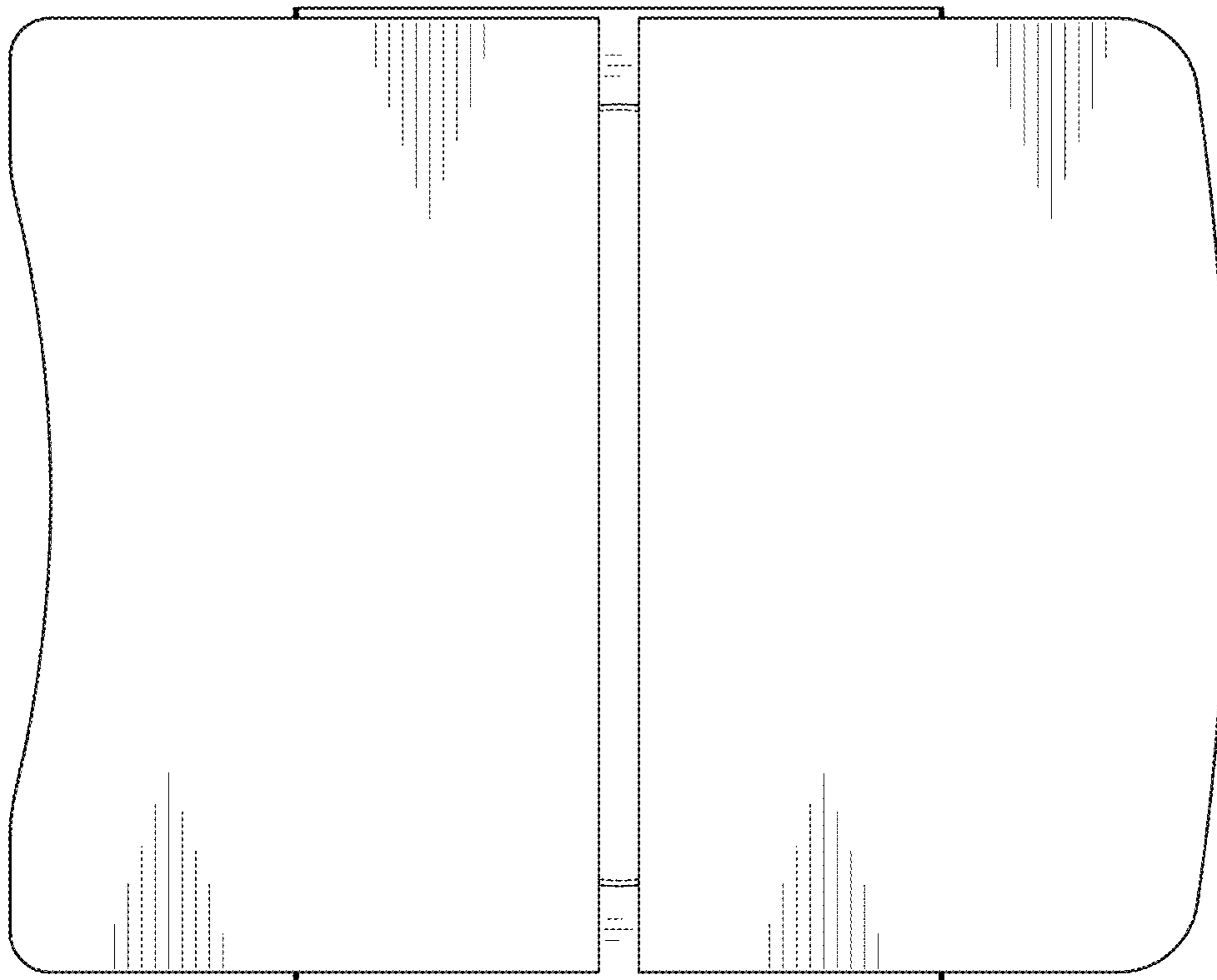


FIG. 13

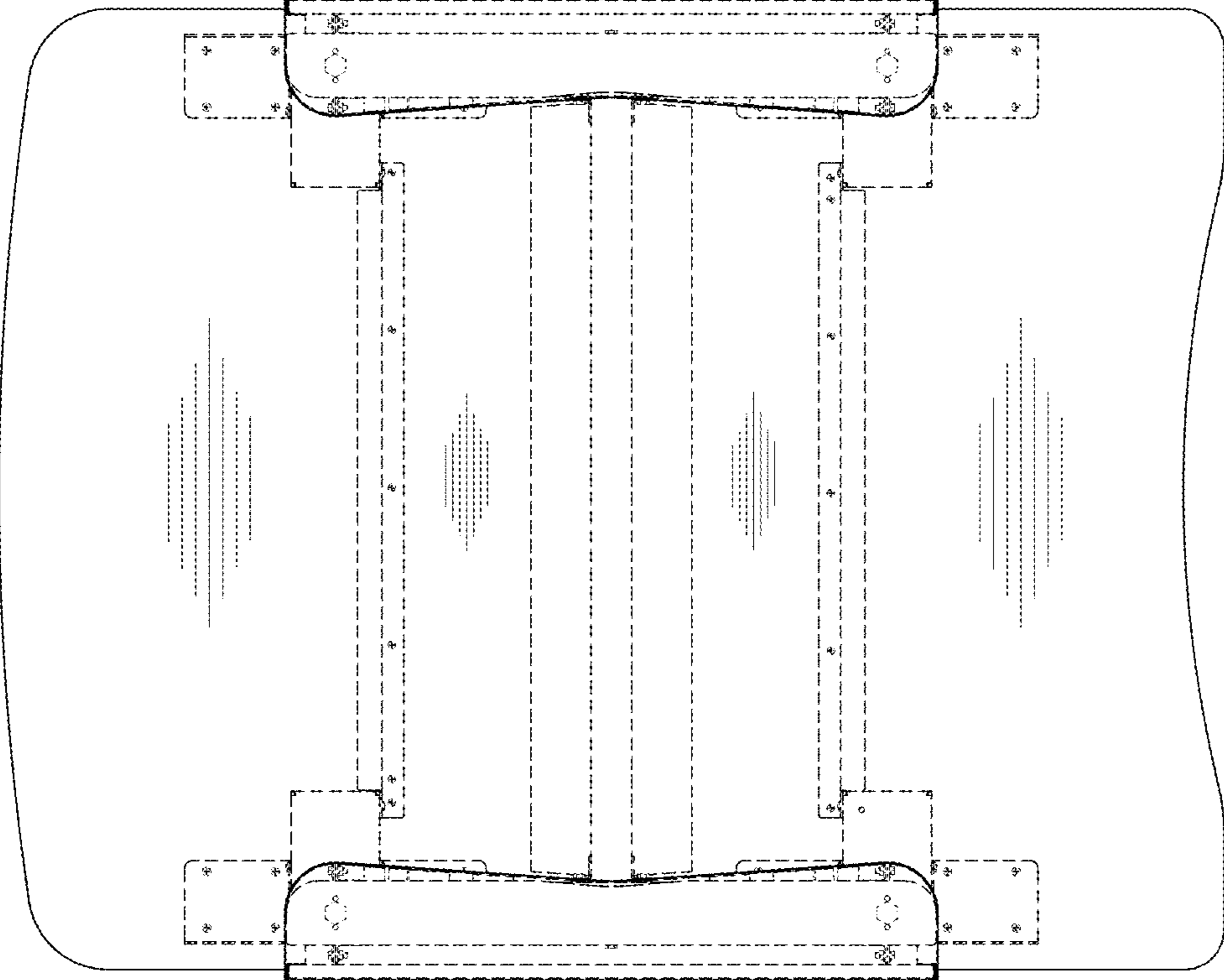


FIG. 14