



US00D911749S

(12) **United States Design Patent**  
**Yin**

(10) **Patent No.:** **US D911,749 S**  
(45) **Date of Patent:** **\*\* Mar. 2, 2021**

(54) **PILLOW**

(71) Applicant: **ZHEJIANG XIESHENGHE HOME TEXTILE CO., LTD.**, Hangzhou (CN)

(72) Inventor: **Zhixiang Yin**, Hangzhou (CN)

(73) Assignee: **ZHEJIANG XIESHENGHE HOME TEXTILE CO., LTD.**, Hangzhou (CN)

(\*\*) Term: **15 Years**

(21) Appl. No.: **29/747,693**

(22) Filed: **Aug. 25, 2020**

(30) **Foreign Application Priority Data**

Jun. 23, 2020 (CN) ..... 202030326206.X

(51) **LOC (13) Cl.** ..... **06-09**

(52) **U.S. Cl.**  
USPC ..... **D6/601**

(58) **Field of Classification Search**  
USPC ..... D6/582-583, 587-592, 595-609,  
D6/617-622, 333; D21/803-809;  
D24/183

CPC ..... A47G 9/00; A47G 2009/001; A47G  
2009/002; A47G 2009/003; A47G 9/10;  
A47G 9/1009; A47G 2009/1018; A47G  
9/1045; A47G 9/1081; A47G 9/109

See application file for complete search history.

(56) **References Cited**

**U.S. PATENT DOCUMENTS**

D534,025 S \* 12/2006 Ferguson ..... D6/601  
9,271,588 B1 \* 3/2016 Phillips ..... A47G 9/04  
D778,637 S \* 2/2017 Barry ..... D6/601  
D785,370 S 5/2017 Randall

D786,584 S 5/2017 Beliveau  
10,813,481 B2 \* 10/2020 Hafeznezami ..... A47G 9/10  
D904,794 S \* 12/2020 Steinbock ..... A47G 9/0253  
D6/601  
2009/0232424 A1 \* 9/2009 Bierschenk ..... B65B 51/10  
383/104  
2012/0060280 A1 \* 3/2012 Kelly ..... A47G 9/0253  
5/490  
2012/0073055 A1 \* 3/2012 Cupo ..... A47G 9/0253  
5/636  
2014/0196214 A1 \* 7/2014 DuPre ..... A47G 9/0253  
5/644  
2017/0231410 A1 \* 8/2017 Chon ..... A47G 9/10  
5/640  
2020/0375379 A1 \* 12/2020 Wu ..... A47G 9/0253

\* cited by examiner

*Primary Examiner* — Jennifer L Rempfer

(57) **CLAIM**

The ornamental design for a pillow, as shown and described.

**DESCRIPTION**

FIG. 1 is a perspective view of a pillow showing my new design;

FIG. 2 is another perspective view thereof;

FIG. 3 is a front elevational view thereof;

FIG. 4 is a rear elevational view thereof;

FIG. 5 is a left side elevational view thereof;

FIG. 6 is a right side elevational view thereof;

FIG. 7 is a top plan view thereof;

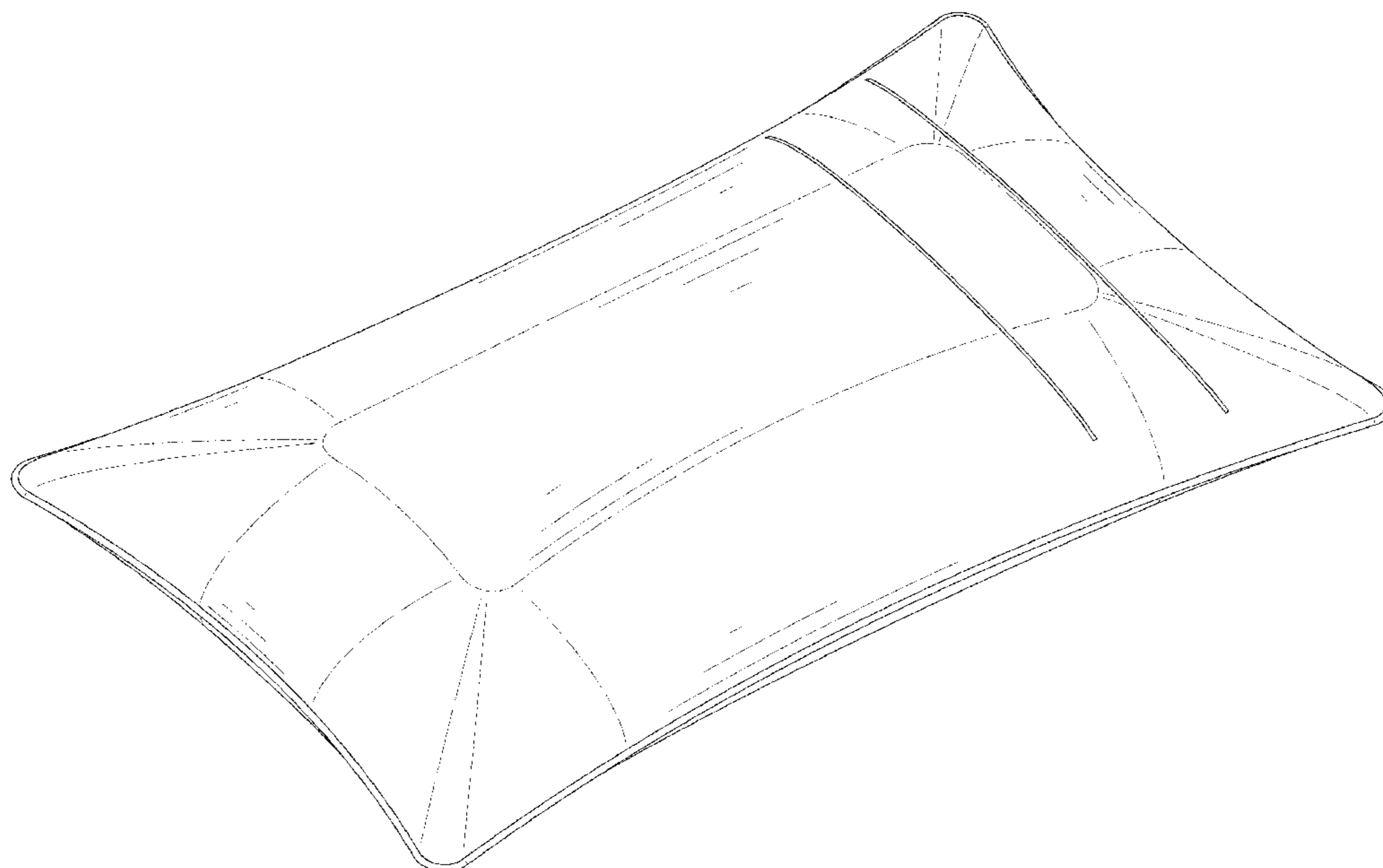
FIG. 8 is a bottom plan view thereof;

FIG. 9 is a perspective view of the pillow showing my new design where the pillow is in a first configuration of use; and,

FIG. 10 is a perspective view of the pillow where the pillow is in a second configuration of use.

The broken lines in the drawings depict portions of the pillow that form no part of the claimed design.

**1 Claim, 10 Drawing Sheets**



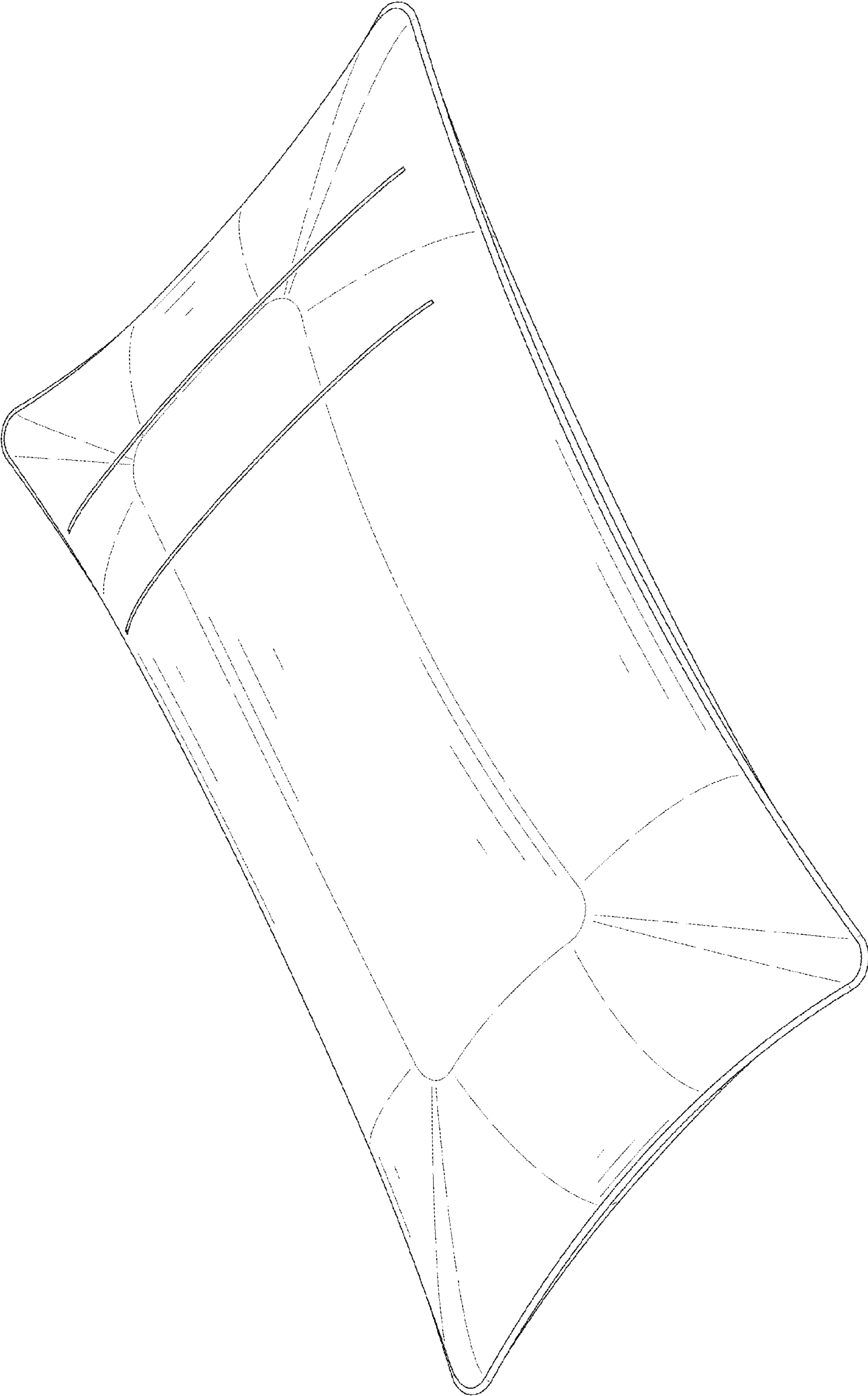


FIG. 1



FIG. 2

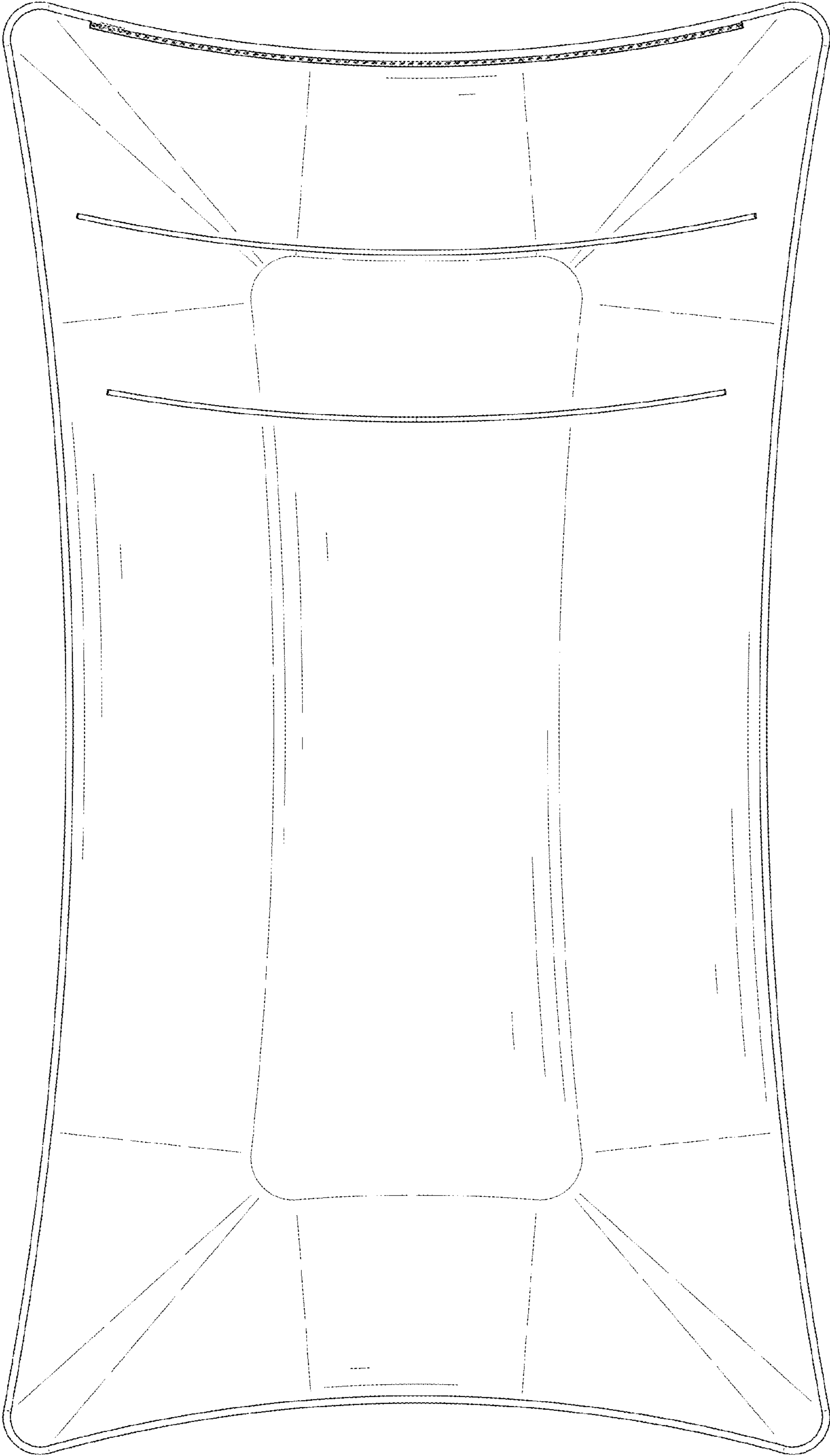


FIG. 3

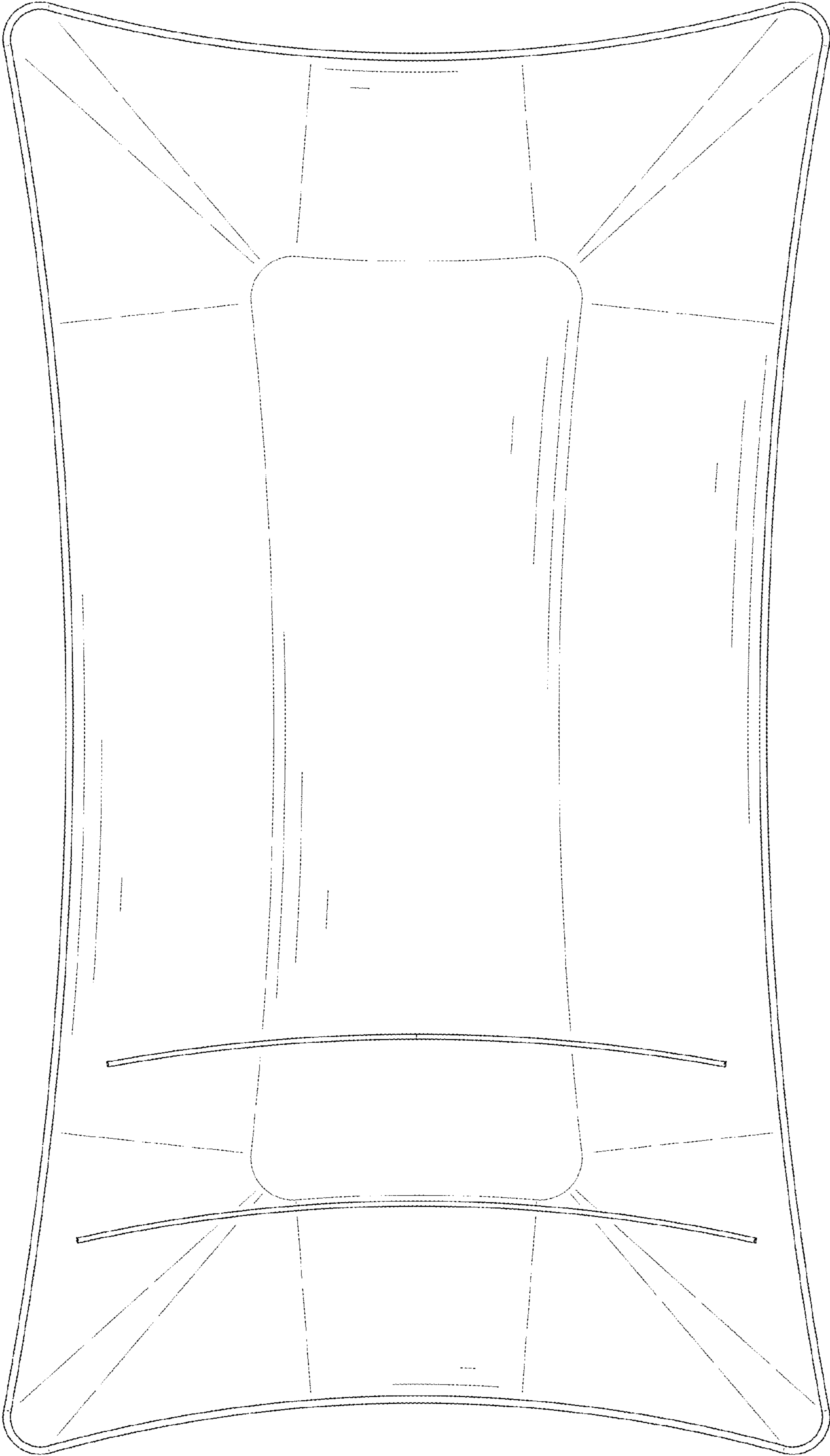


FIG. 4

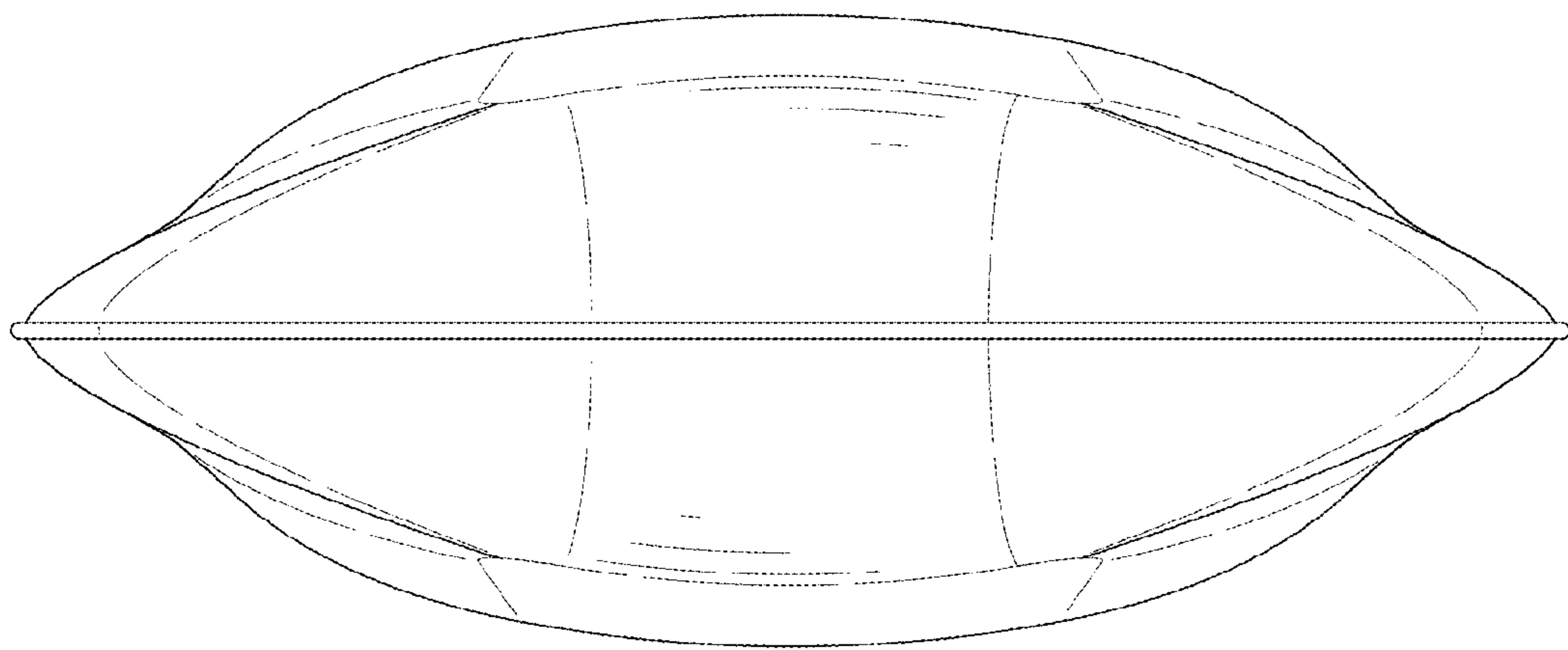


FIG. 5

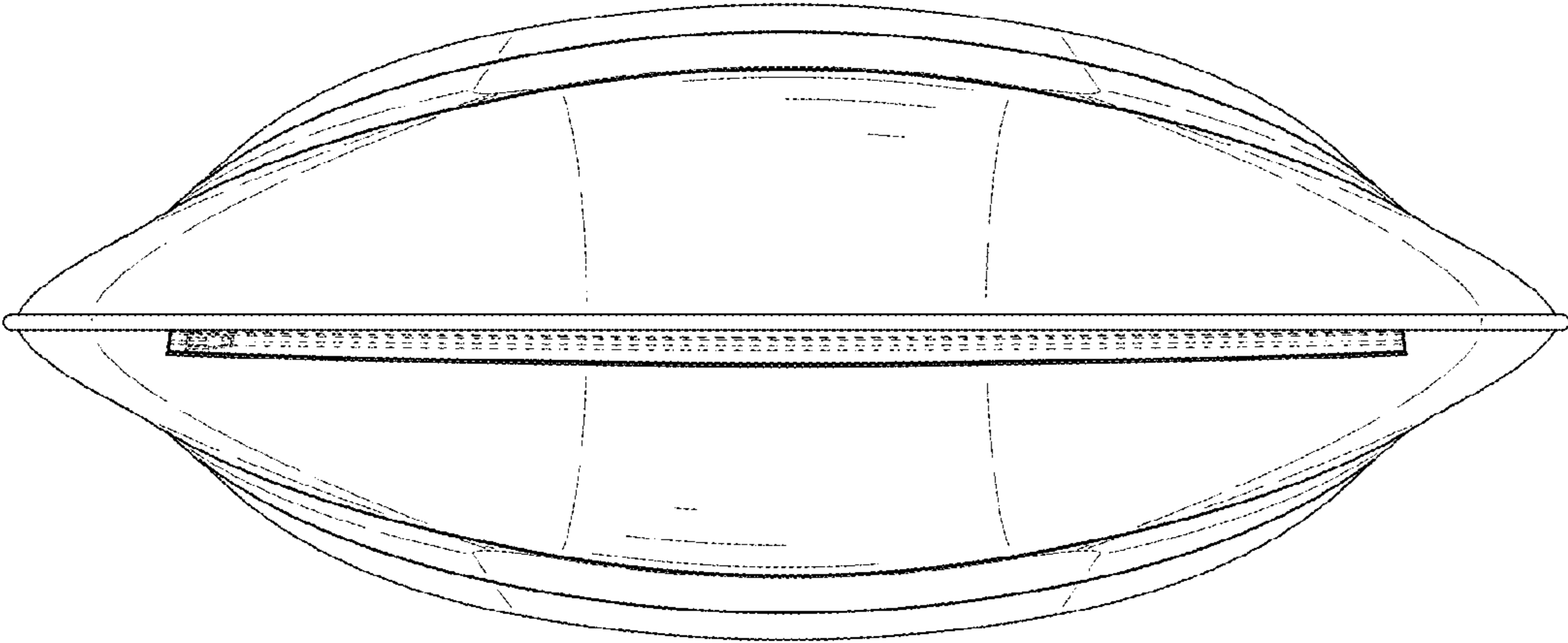


FIG. 6

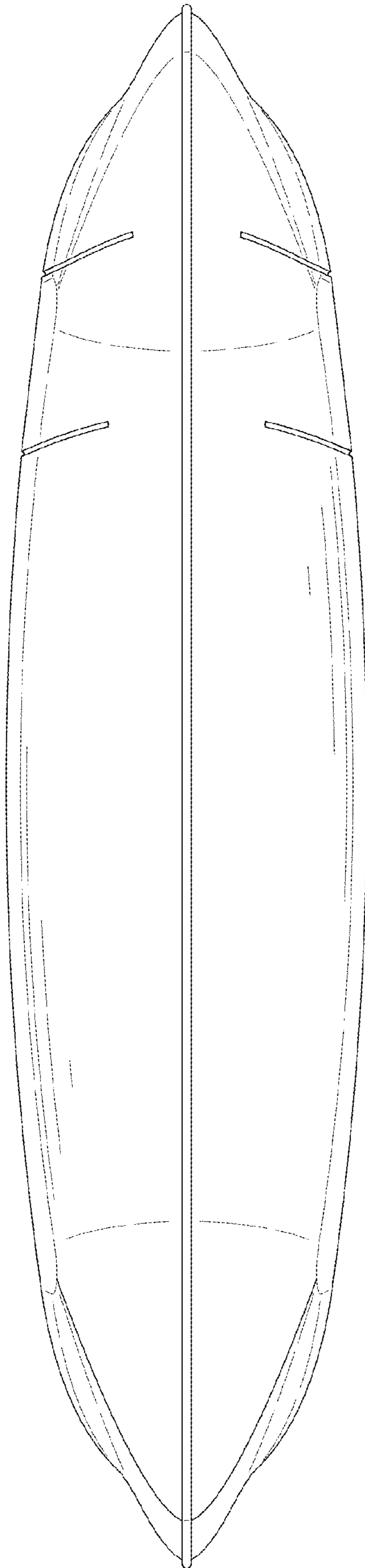


FIG. 7



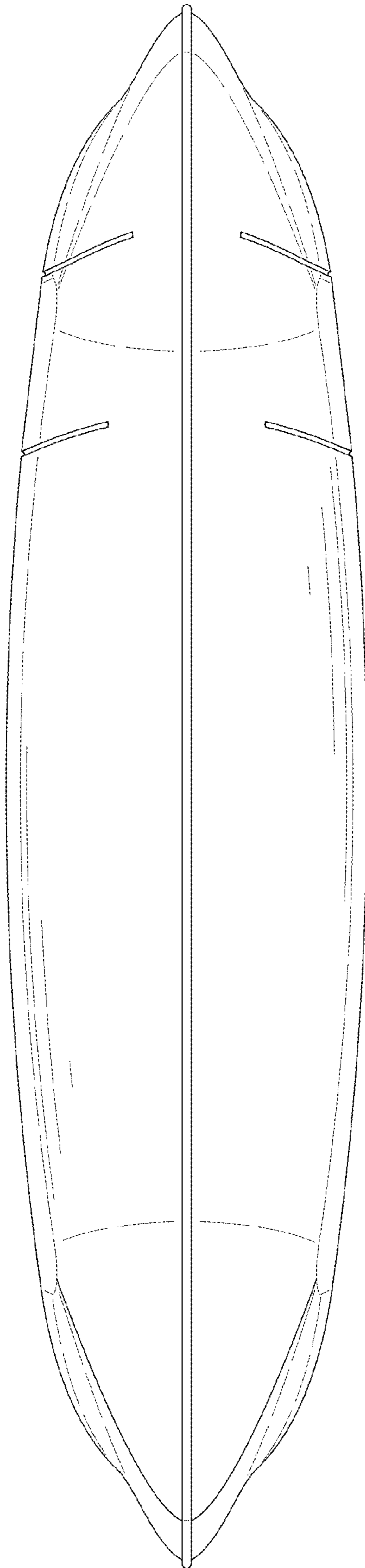


FIG. 8

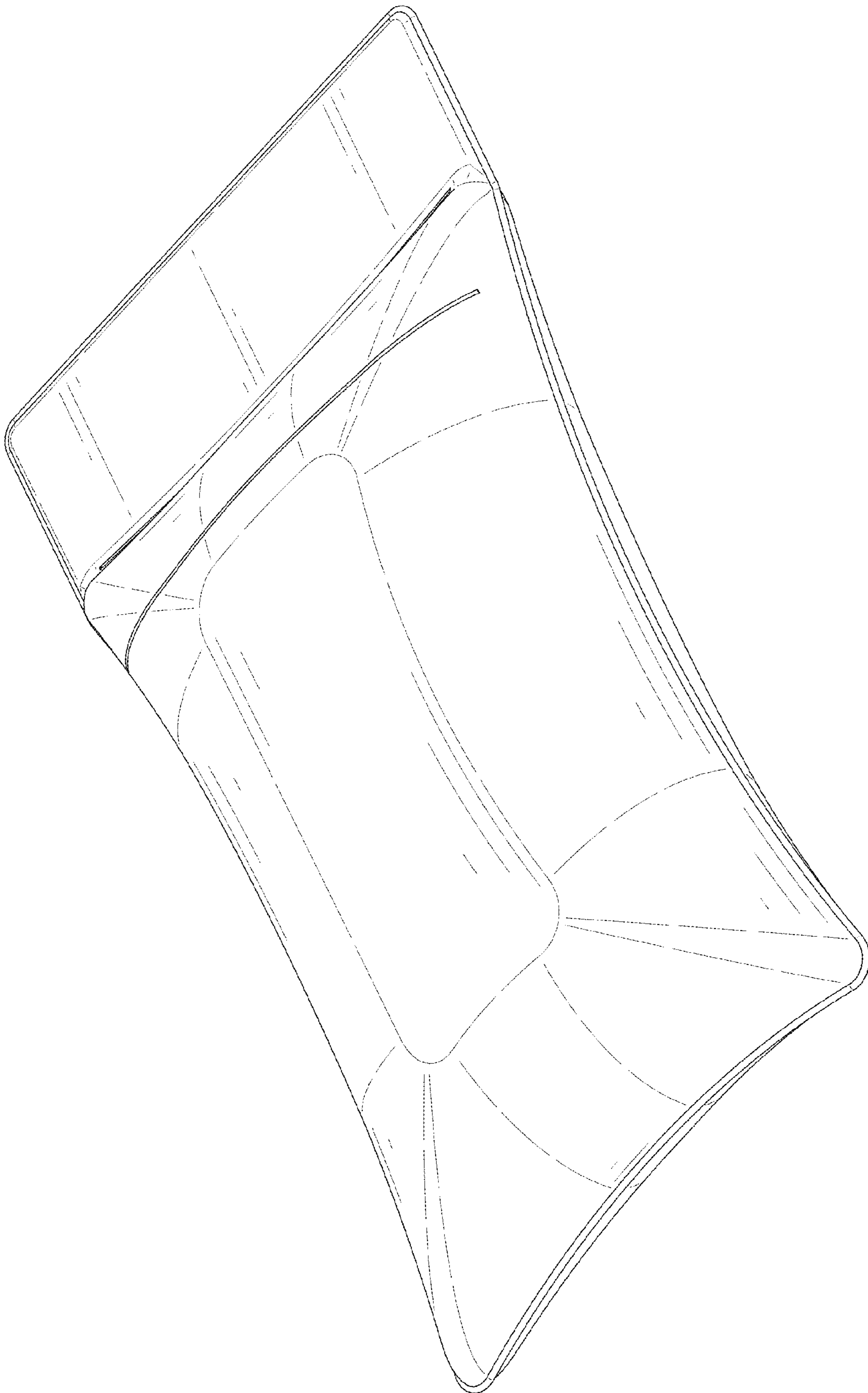


FIG. 9

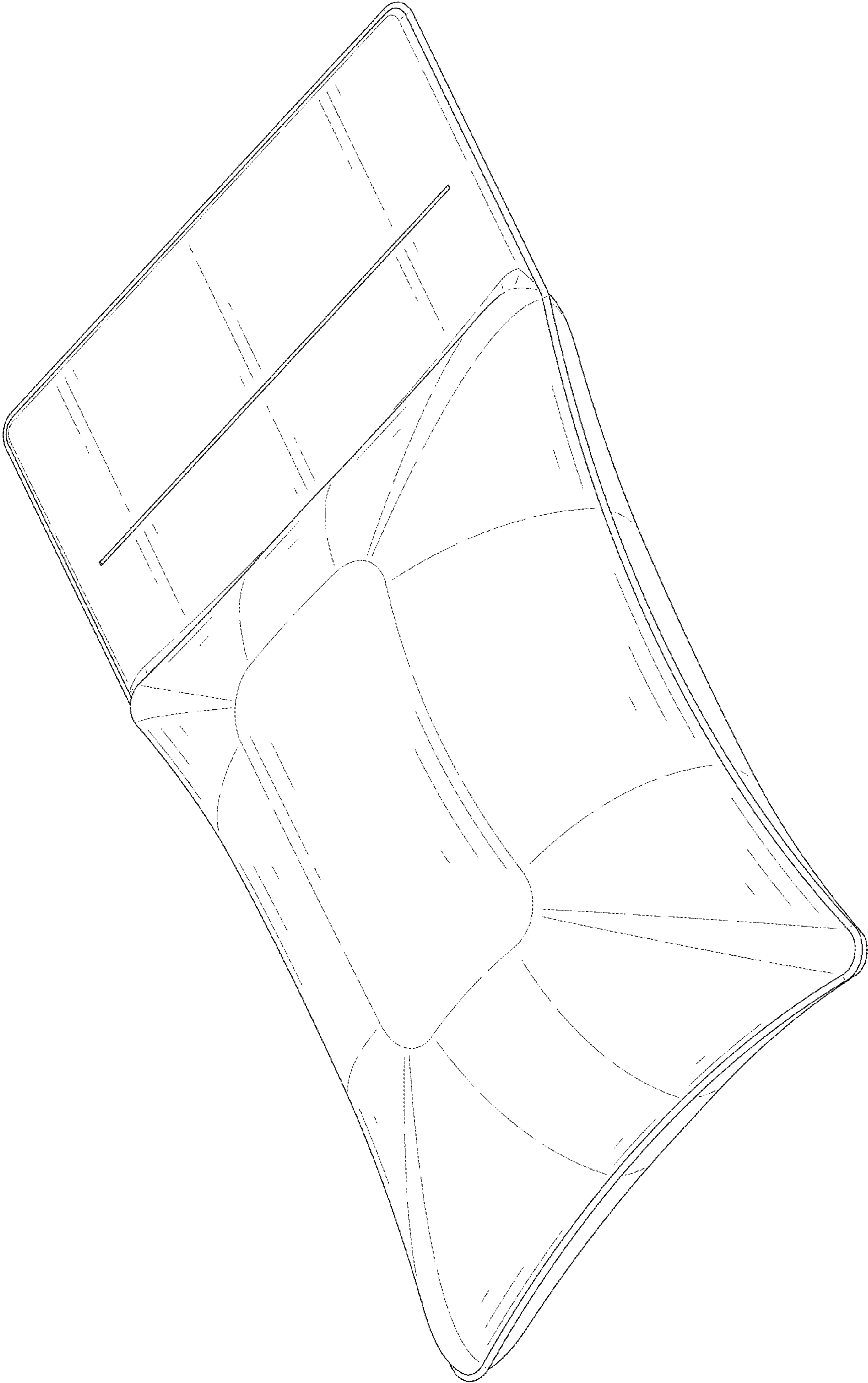


FIG. 10