



US00D911748S

(12) **United States Design Patent** (10) **Patent No.:** **US D911,748 S**
Luo (45) **Date of Patent:** **** Mar. 2, 2021**

(54) **WEDGE PILLOW SET**

(71) Applicant: **QINGDAO LISENWOOD FURNISHINGS CO., LTD**, Qingdao (CN)

(72) Inventor: **Xiang Luo**, Qingdao (CN)

(73) Assignee: **QINGDAO LISENWOOD FURNISHINGS CO., LTD**, Qingdao (CN)

(**) Term: **15 Years**

(21) Appl. No.: **29/728,873**

(22) Filed: **Mar. 23, 2020**

(51) **LOC (13) Cl.** **06-09**

(52) **U.S. Cl.**
USPC **D6/601**

(58) **Field of Classification Search**
USPC D6/595-601, 604, 606; D24/183, 190; D21/803, 809
CPC A47C 20/00; A47C 20/021; A47C 7/742; A47C 7/021; A47D 15/001; A47D 15/008; A47G 9/00; A47G 9/10; B62J 1/26

See application file for complete search history.

(56) **References Cited**

U.S. PATENT DOCUMENTS

4,484,781	A *	11/1984	Phelps	A47C 3/16 297/452.41
D289,354	S *	4/1987	Willey	D6/601
D398,181	S *	9/1998	Lange	D6/596
D543,064	S *	5/2007	Hale	D6/596
D565,131	S *	3/2008	Decker	D21/686
D578,219	S *	10/2008	Daggett	D24/183
D613,984	S *	4/2010	Zummo	D6/584
D644,402	S *	8/2011	Shoup	D34/32
D753,312	S *	4/2016	Long	D24/186
D800,852	S *	10/2017	Flook	D21/671

D805,325 S 12/2017 Chan
D872,504 S 1/2020 Toft
D879,791 S * 3/2020 Li D14/447
D882,296 S * 4/2020 Huang D6/601
(Continued)

OTHER PUBLICATIONS

Bed Wedge Pillow. Allsett Health. Found on Amazon.com. Product reviewed on Feb. 8, 2020. Found at: https://www.amazon.com/Bed-Wedge-Pillow-Separate-Heartburn/dp/B081QM8CXH/ref=sr_1_2?crd=3P073KQ5B0UT7&dchild=1&keywords=bed+wedge+pillow+2+separate&qid=1591413998&sprefix=bed+wedge+pillow+sep%2Caps%2C194&sr=8-2.*

Primary Examiner — Jennifer L Rempfer

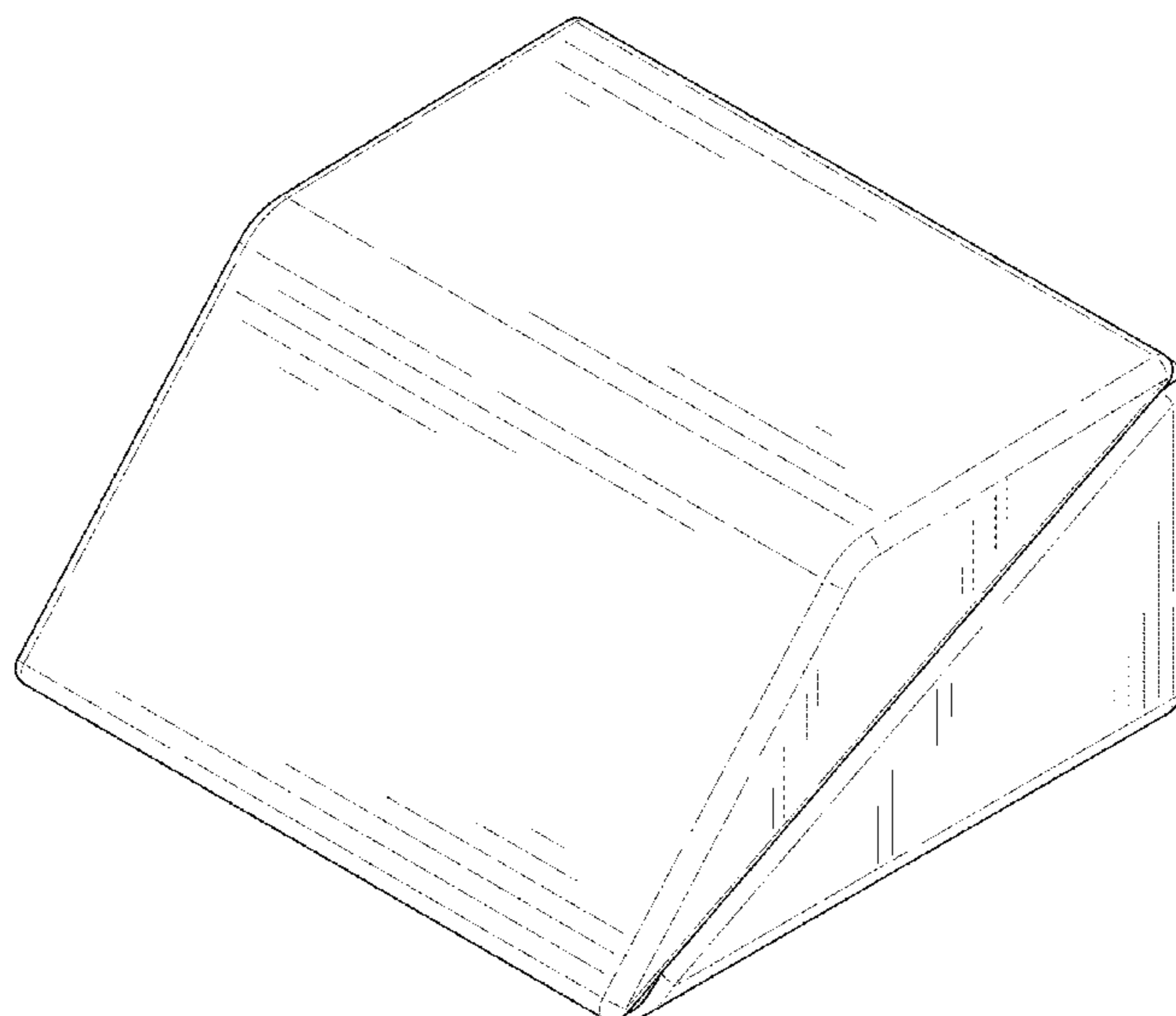
(57) **CLAIM**

The ornamental design for a wedge pillow set, as shown and described.

DESCRIPTION

FIG. 1 is a perspective view of a wedge pillow set showing my new design;
FIG. 2 is another perspective view thereof;
FIG. 3 is a front elevational view thereof;
FIG. 4 is a rear elevational view thereof;
FIG. 5 is a left side elevational view thereof;
FIG. 6 is a right side elevational view thereof;
FIG. 7 is a top plan view thereof;
FIG. 8 is a bottom plan view thereof;
FIG. 9 is an exploded perspective view thereof;
FIG. 10 is a perspective view of the wedge pillow set where the wedge pillow set is in a first configuration of use;
FIG. 11 is a perspective view of the wedge pillow set where the wedge pillow set is in a second configuration of use; and,
FIG. 12 is a perspective view of the large triangular portion of the wedge pillow set in a third configuration of use.
The broken lines in the drawings depict environments of the wedge pillow set that form no part of the claimed design.

1 Claim, 12 Drawing Sheets



(56)

References Cited

U.S. PATENT DOCUMENTS

2003/0038523 A1* 2/2003 Sands A47C 3/16
297/452.16

* cited by examiner

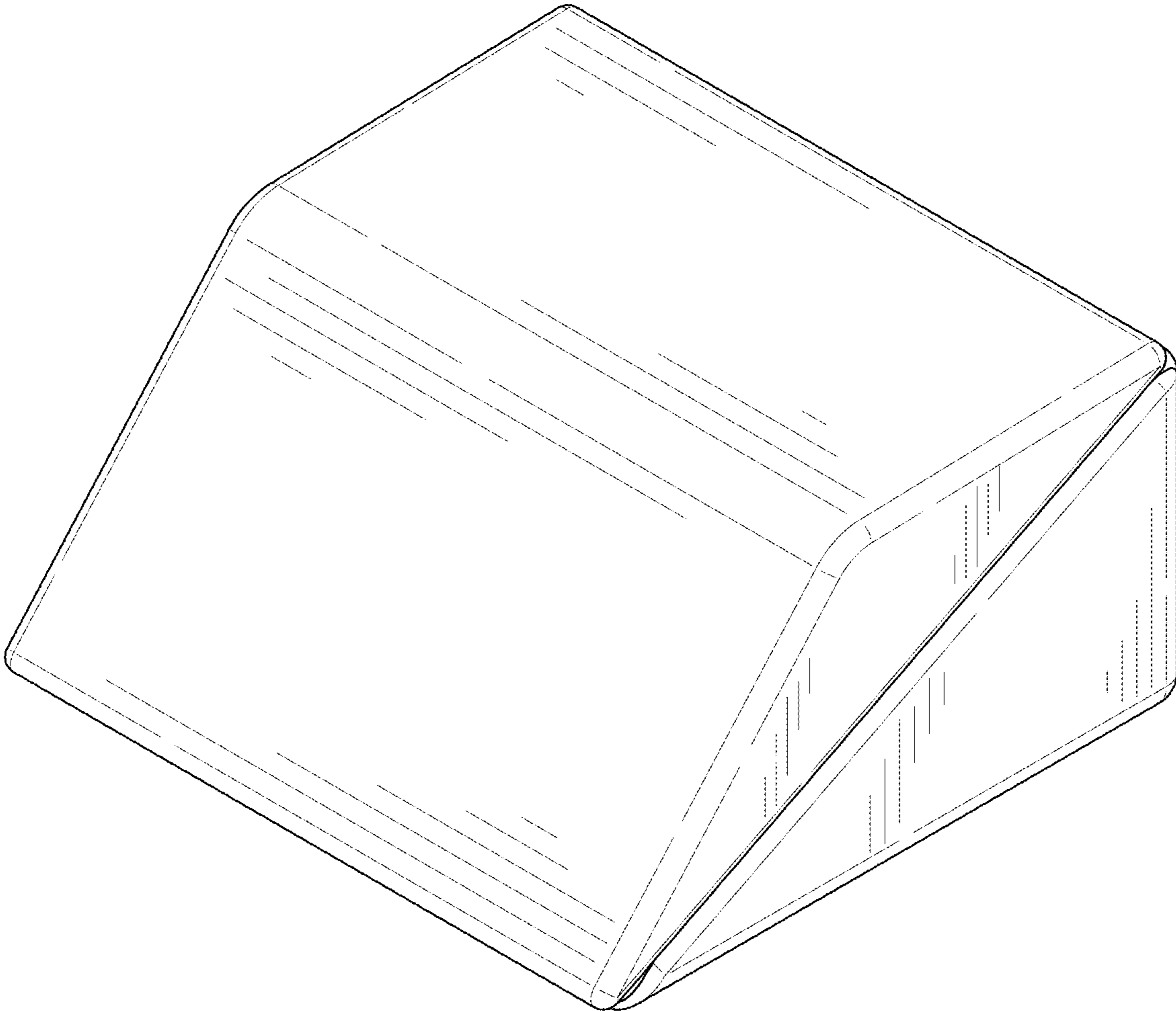


FIG. 1

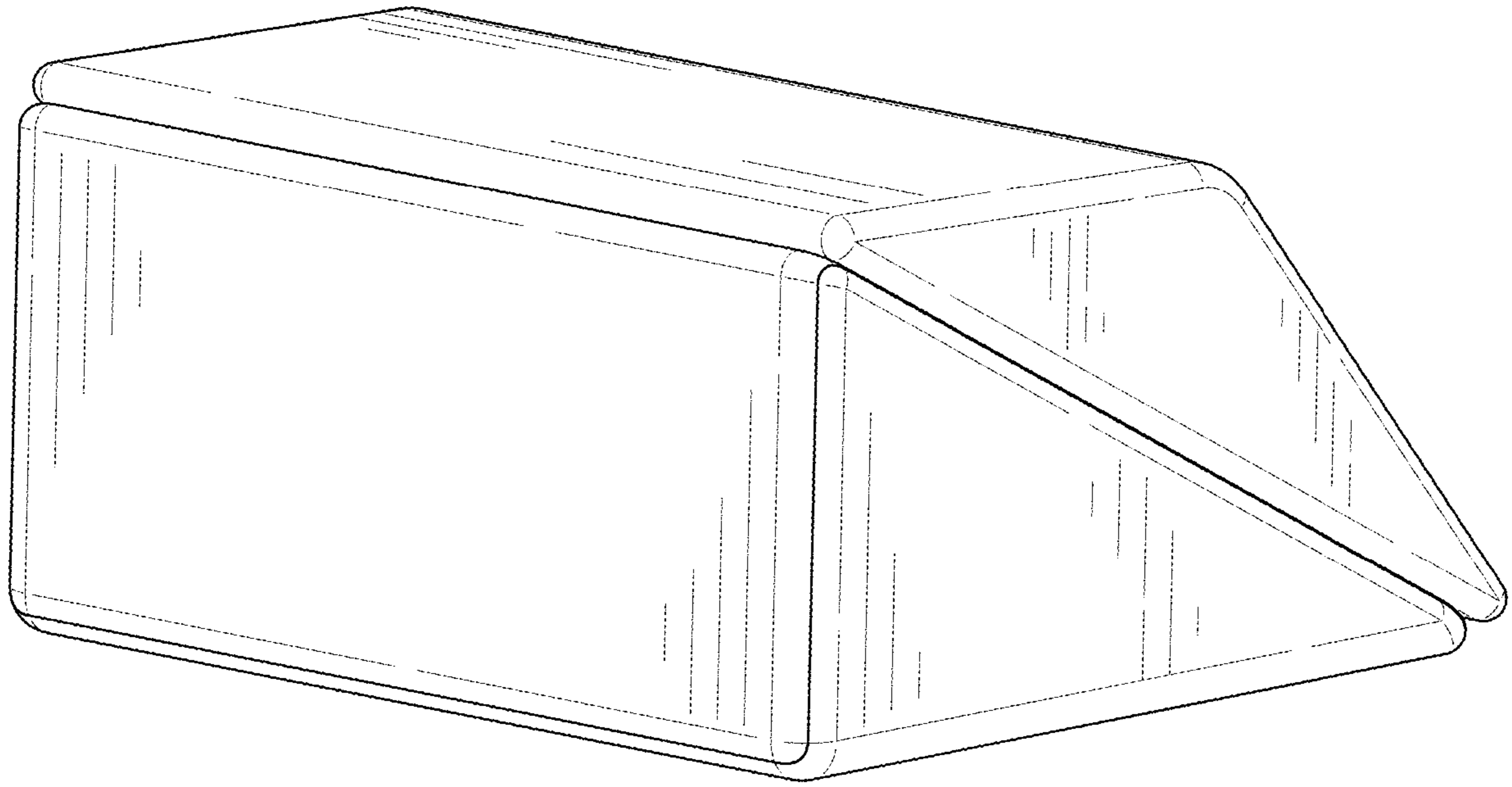


FIG. 2

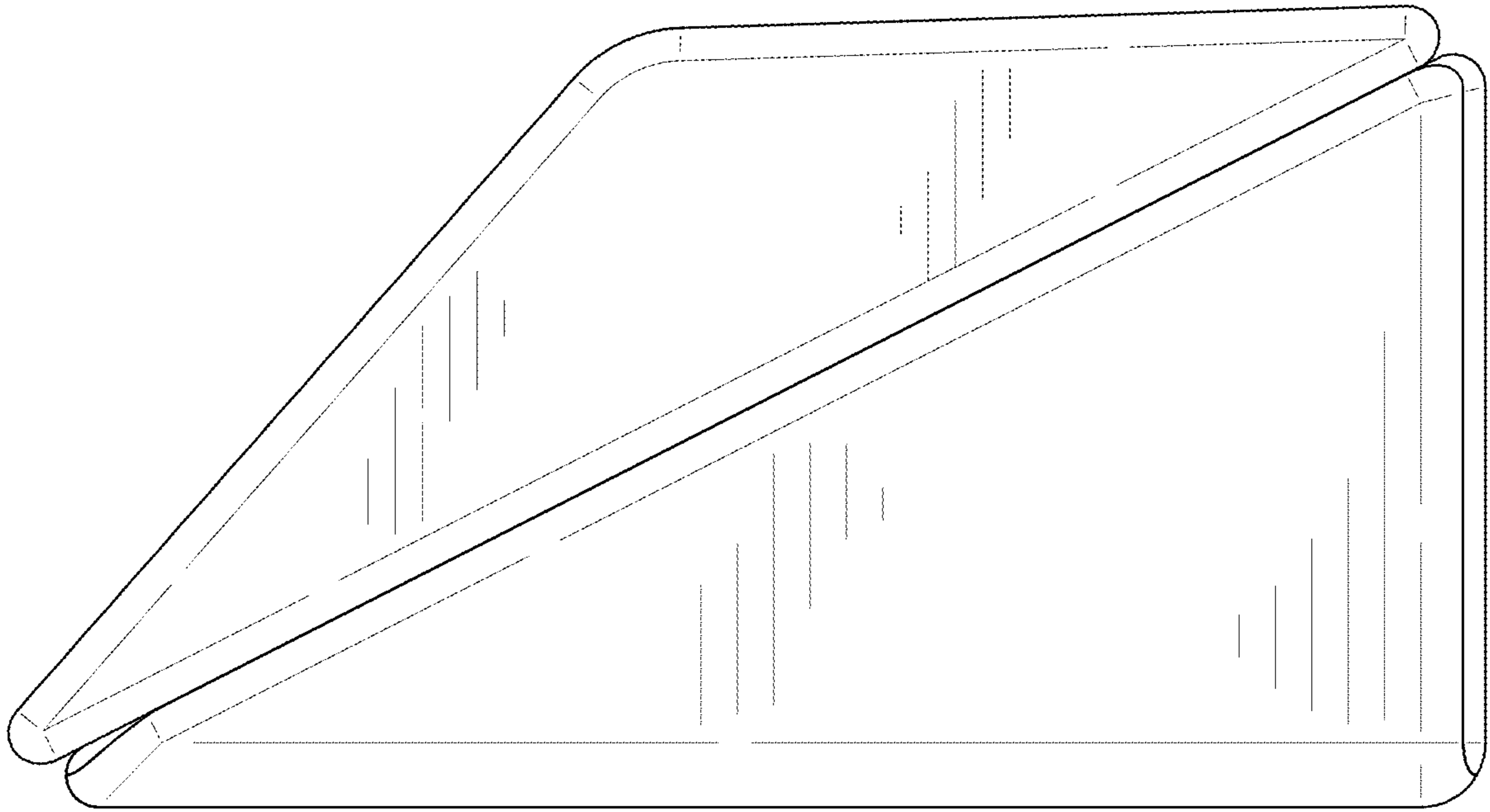


FIG. 3

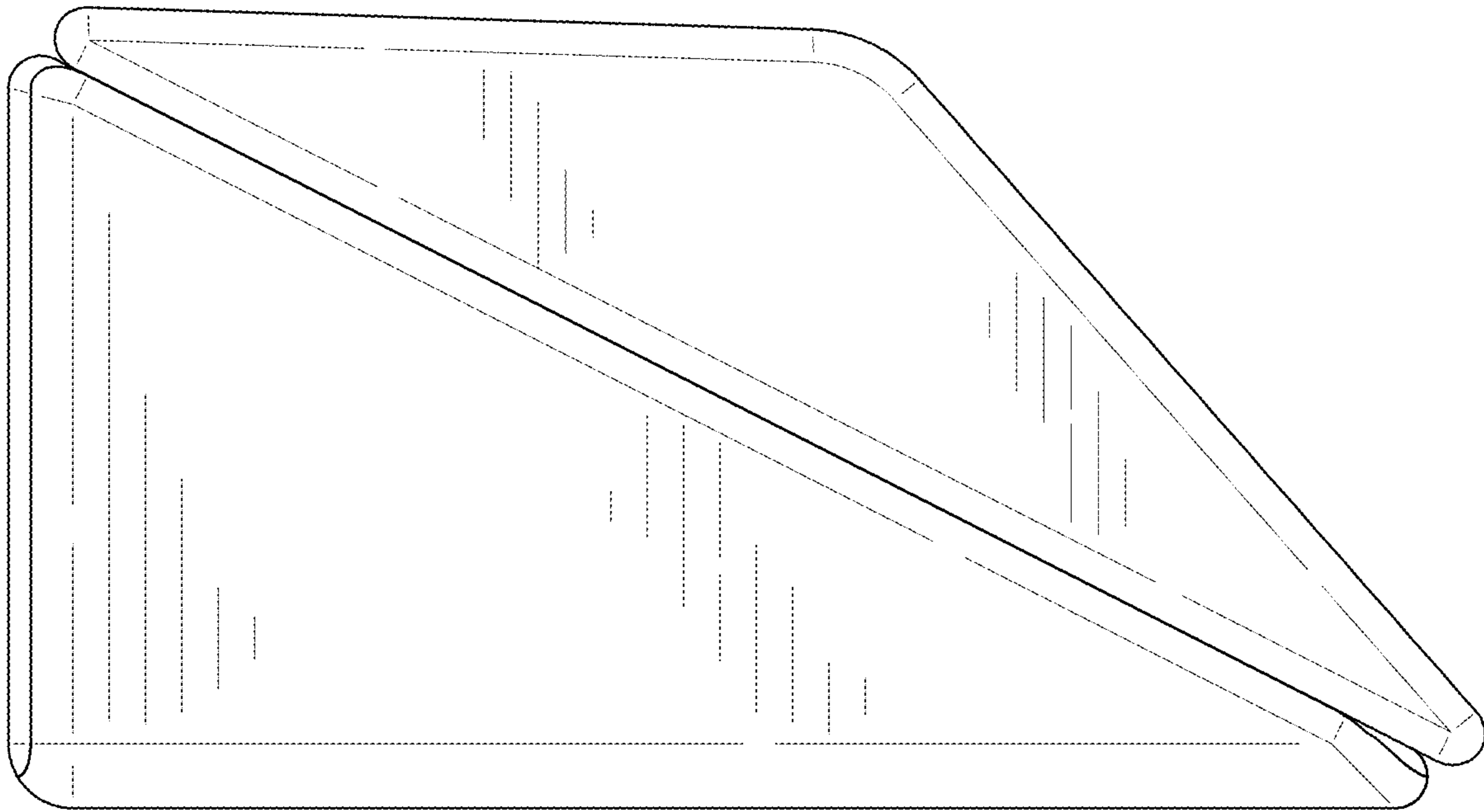


FIG. 4

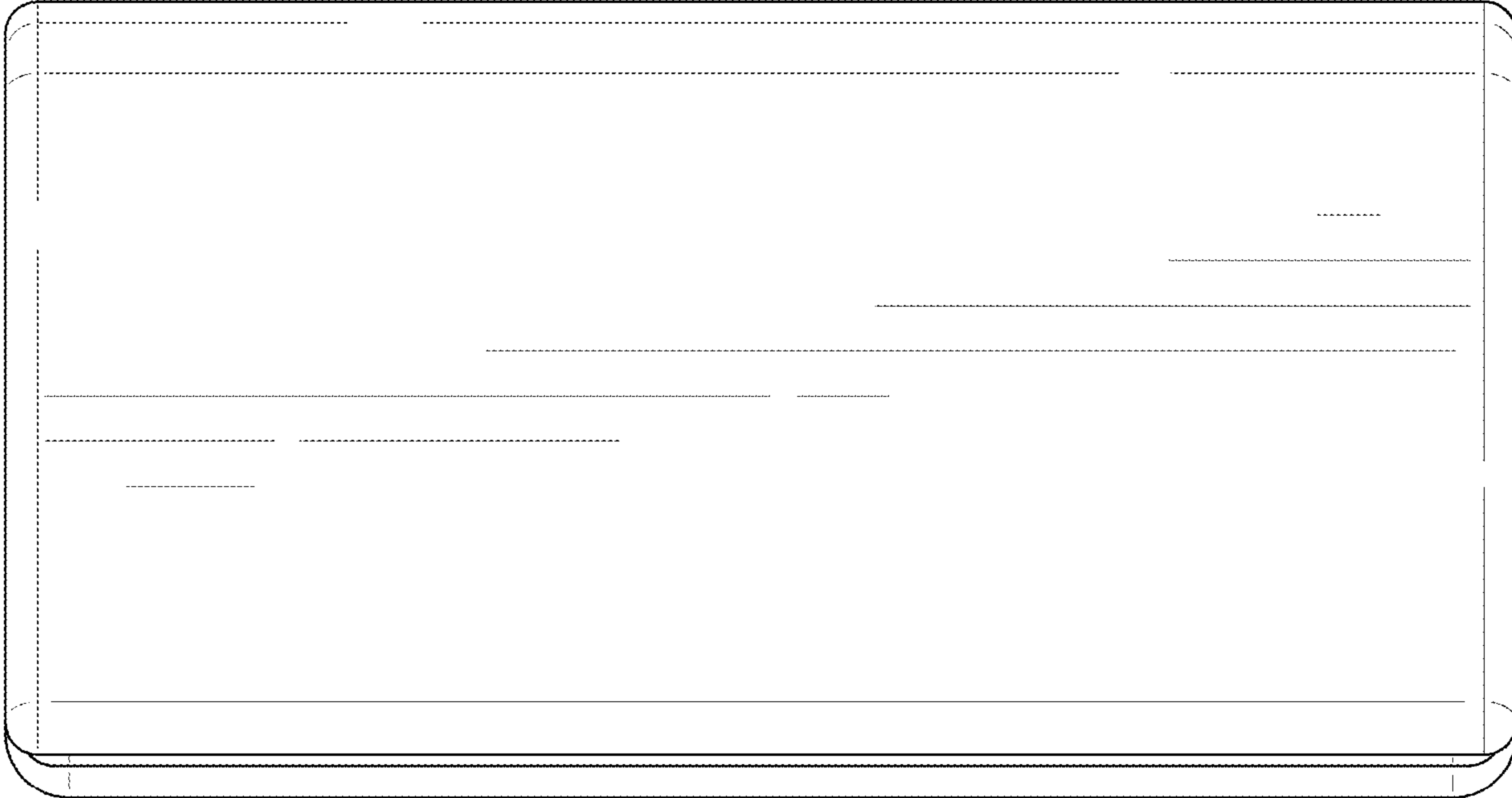


FIG. 5

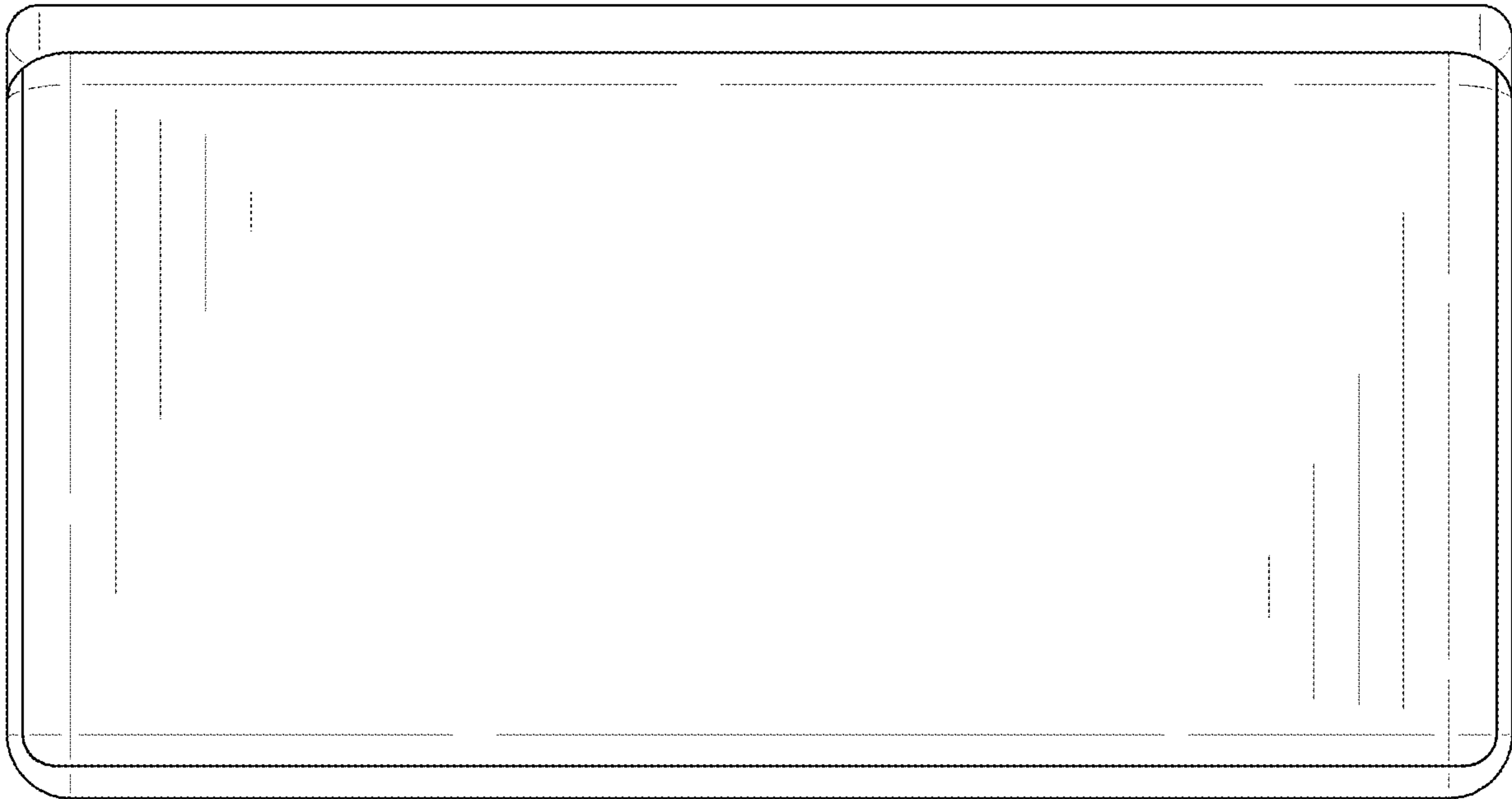


FIG. 6

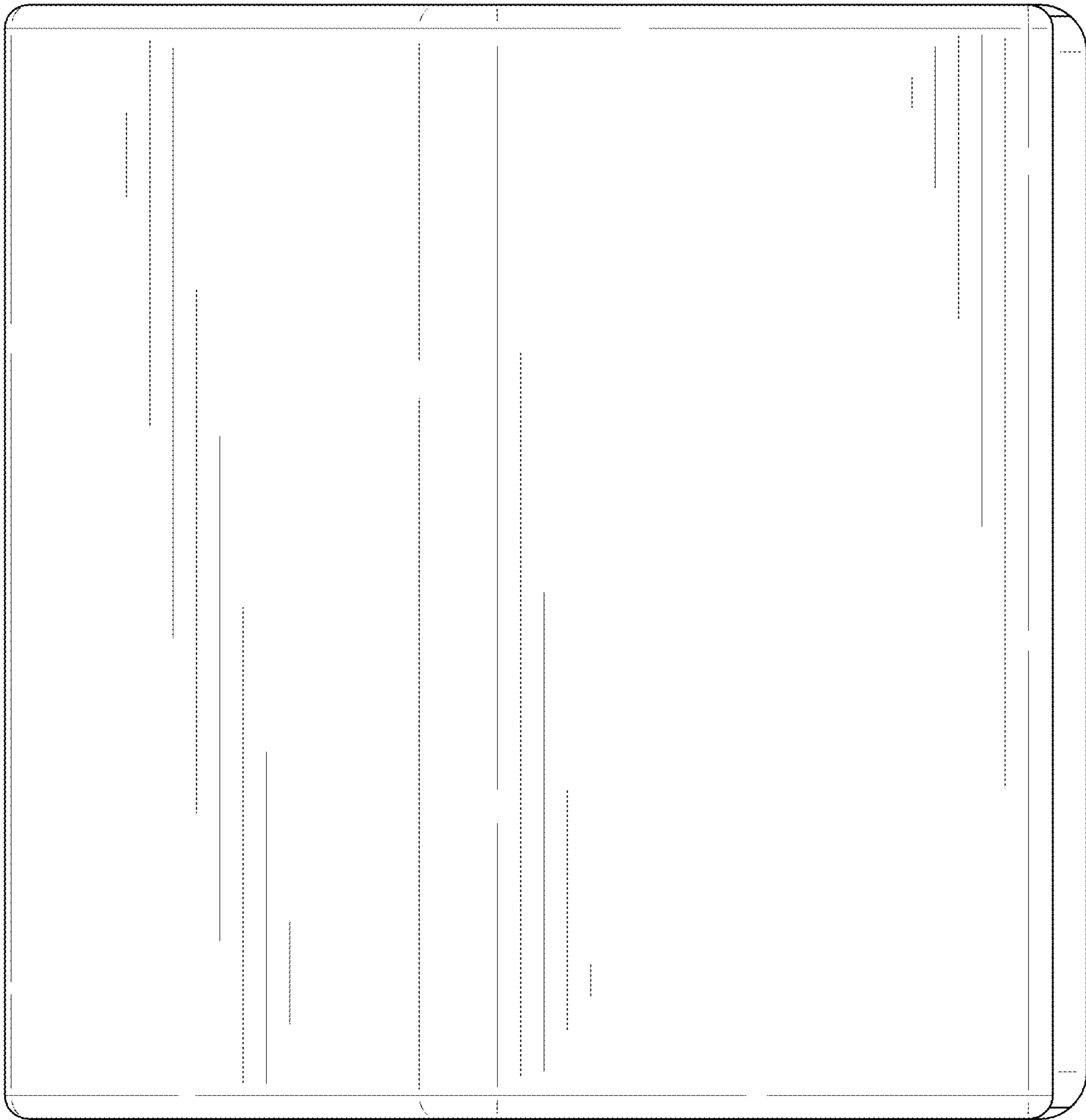


FIG. 7

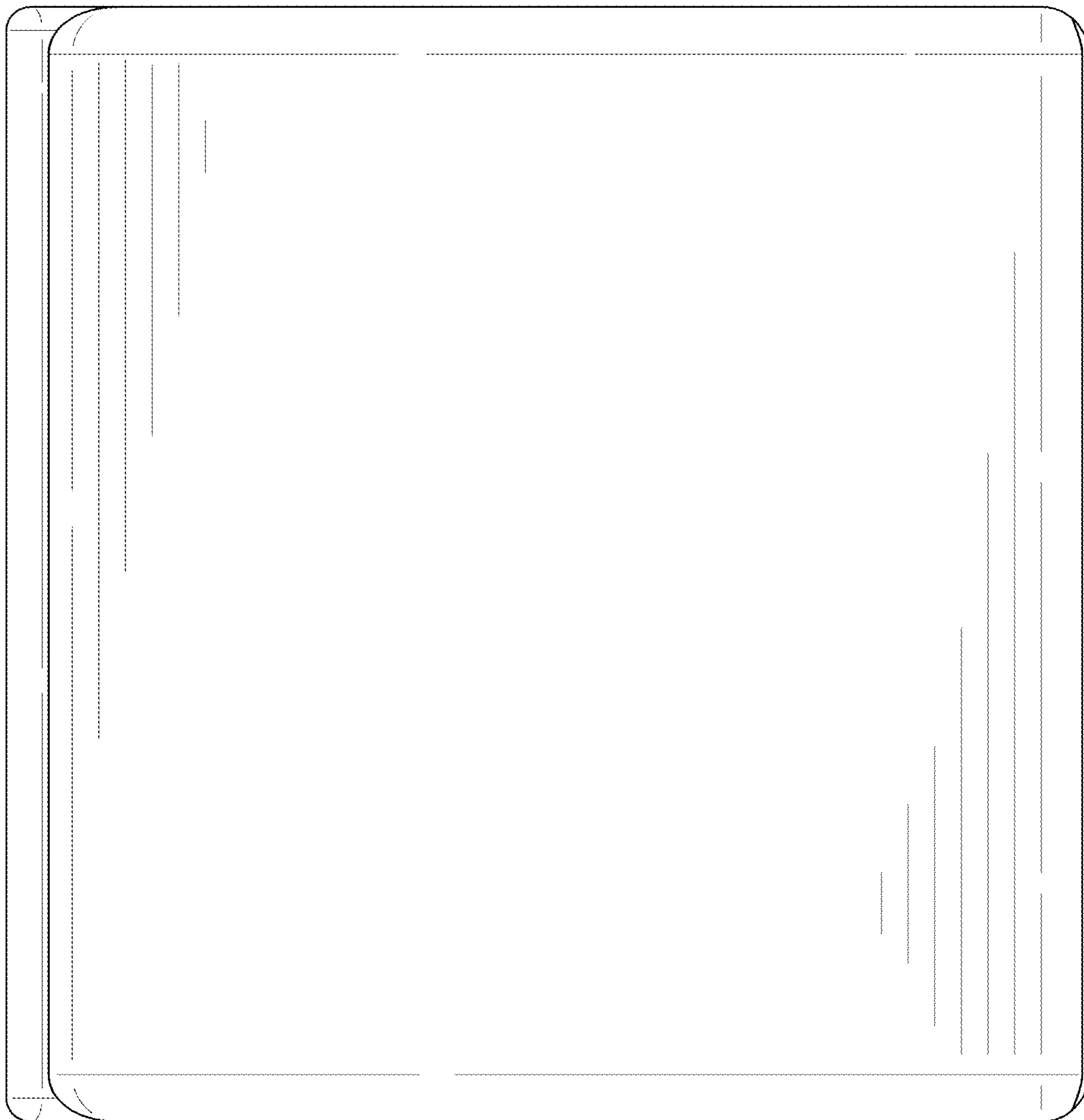


FIG. 8

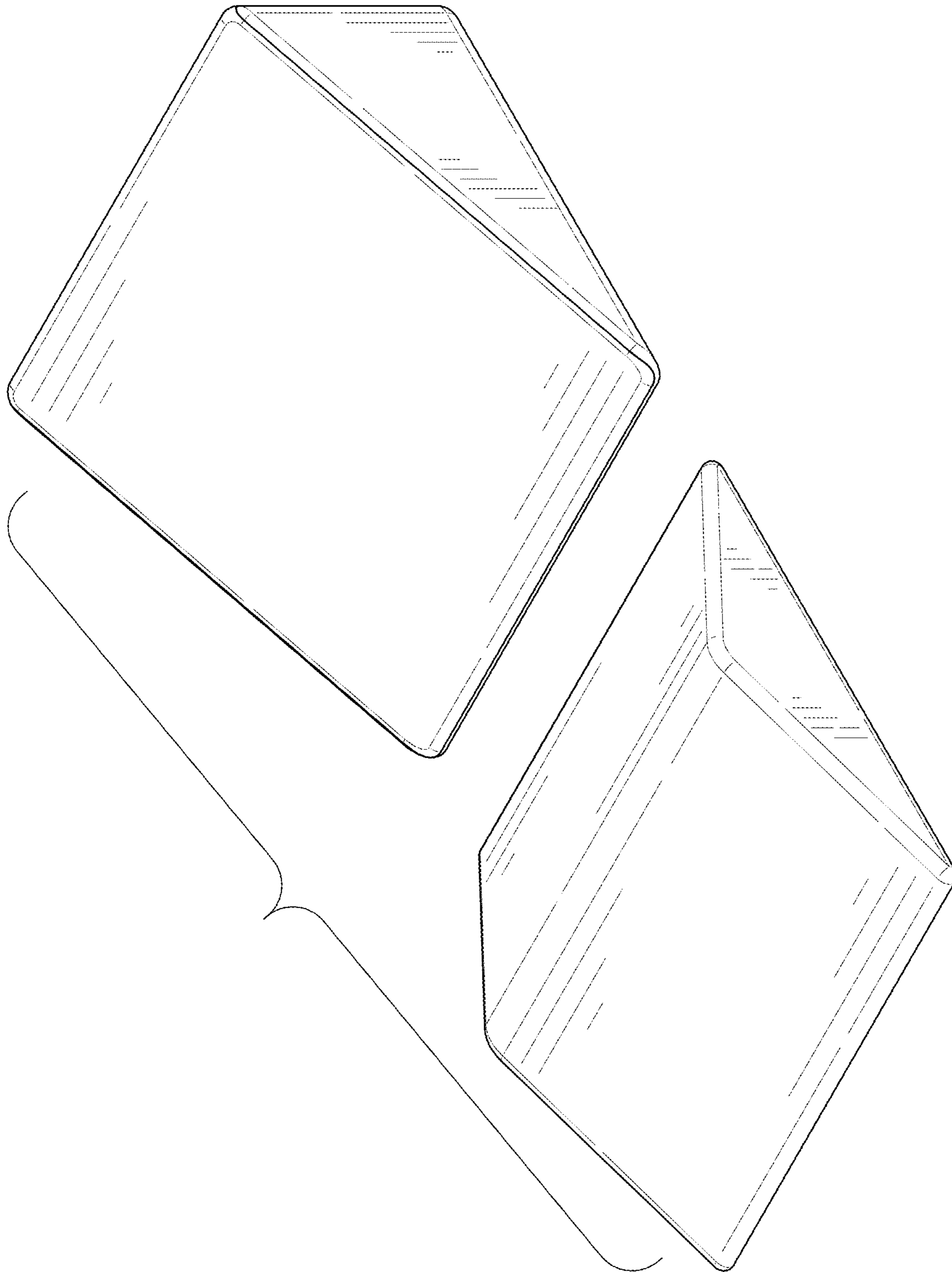


FIG. 9



FIG. 10

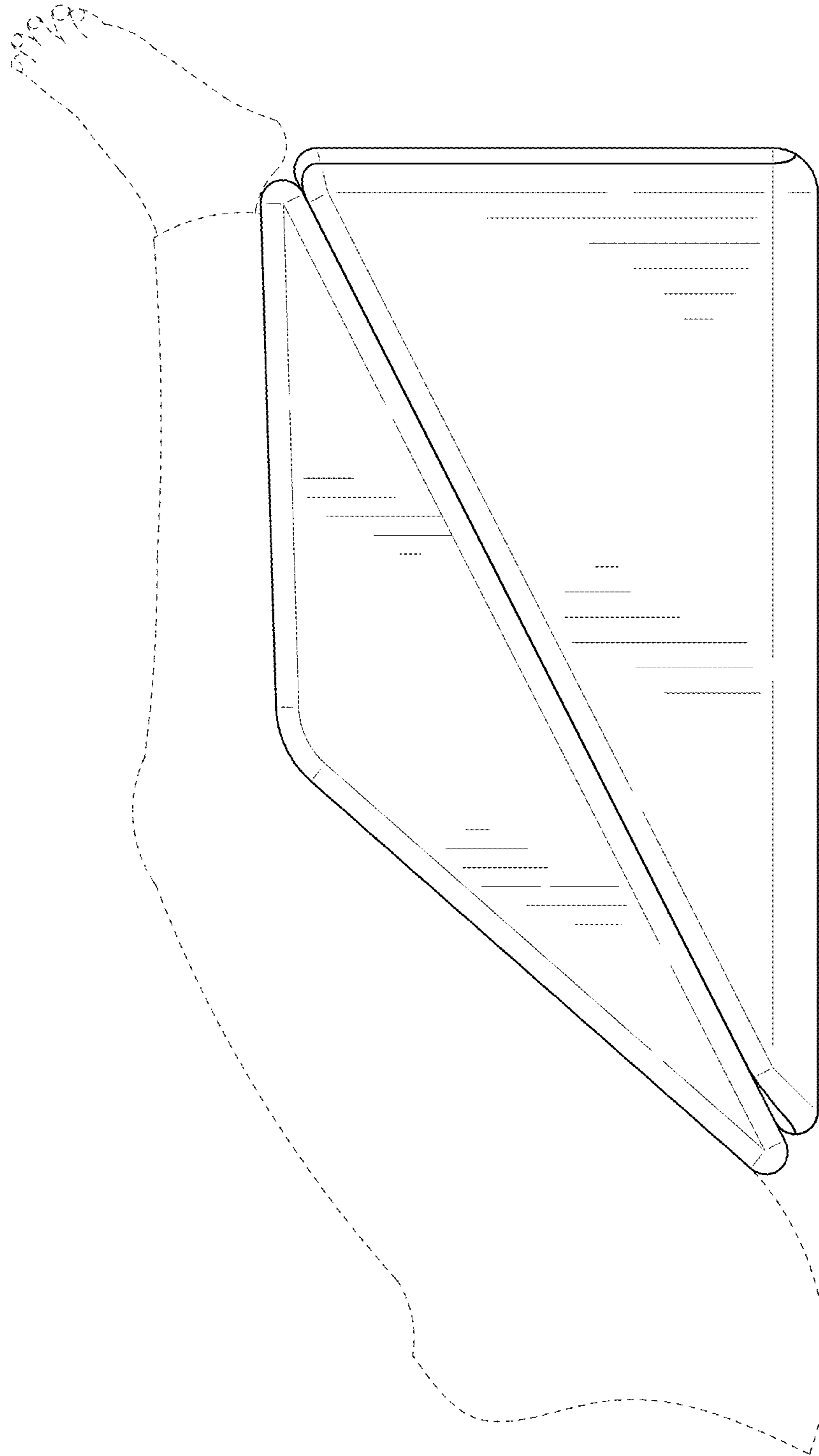


FIG. 11

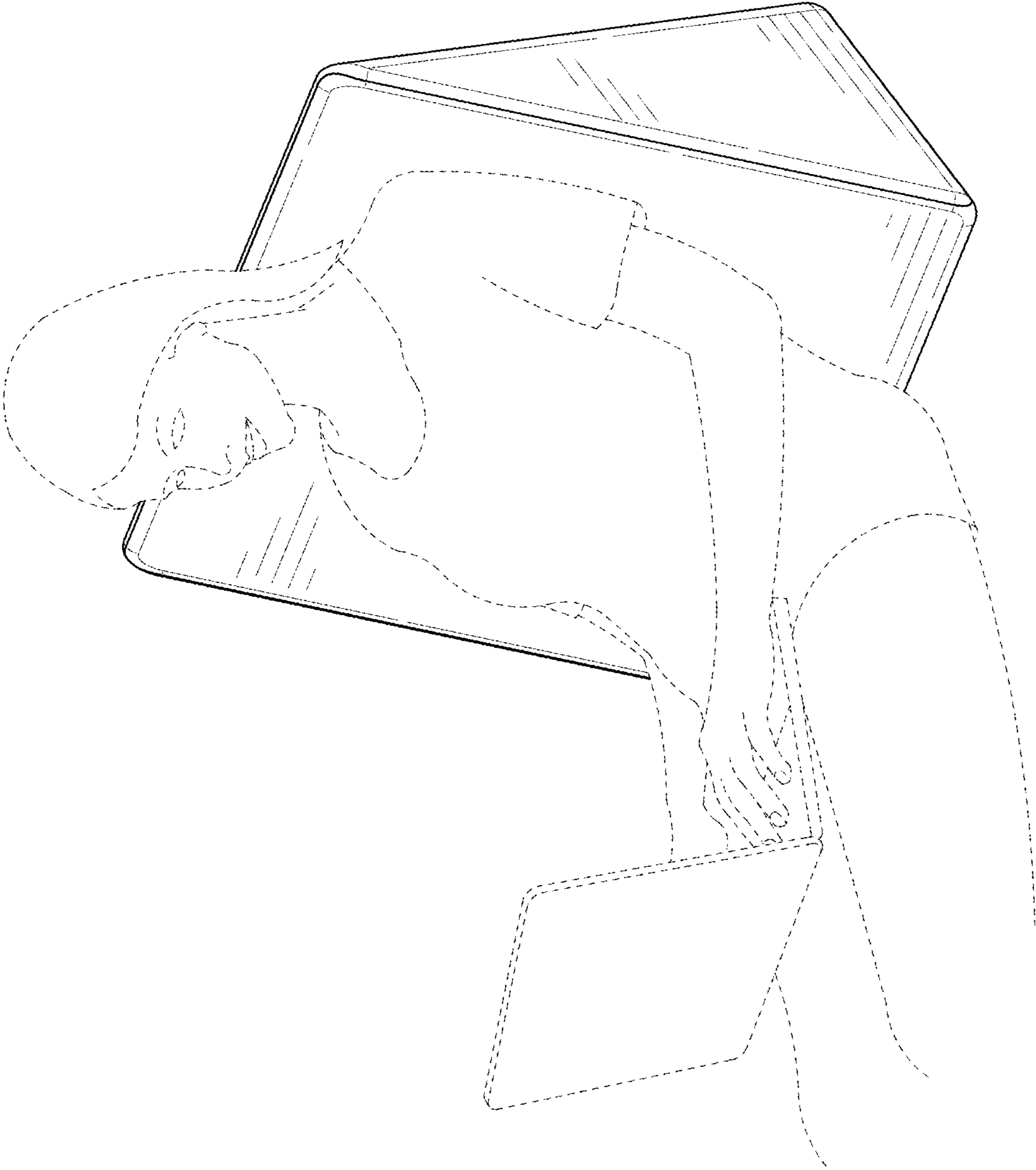


FIG. 12