



US00D911745S

(12) **United States Design Patent**
Volla

(10) **Patent No.:** **US D911,745 S**
(45) **Date of Patent:** **** Mar. 2, 2021**

- (54) **COT**
- (71) Applicant: **BABY TRAVEL INC., LLC**,
Philadelphia, PA (US)
- (72) Inventor: **Yang Shi Volla**, Philadelphia, PA (US)
- (73) Assignee: **Baby Travel Inc., LLC**, Philadelphia,
PA (US)
- (**) Term: **15 Years**
- (21) Appl. No.: **29/631,755**
- (22) Filed: **Jan. 2, 2018**
- (51) **LOC (13) Cl.** **06-02**
- (52) **U.S. Cl.**
USPC **D6/596**
- (58) **Field of Classification Search**
USPC D6/595, 596, 597, 601, 605
(Continued)

(56) **References Cited**

U.S. PATENT DOCUMENTS

- 2,508,304 A * 5/1950 Sturtevant B63B 7/08
114/345
- 2,672,628 A 3/1954 Spanel
(Continued)

FOREIGN PATENT DOCUMENTS

- DE 933292 9/1955
- WO WO 1990014033 11/1990
- WO WO 2010000406 1/2010

OTHER PUBLICATIONS

Notification of transmittal of the International Search Report and the Written Opinion of the International Searching Authority, or the Declaration, the International Search Report, and the Written Opinion of the International Searching Authority, for International Application No. PCT/US2018/012118, dated Mar. 20, 2018, 10 pages.

(Continued)

Primary Examiner — R. Johnson
(74) *Attorney, Agent, or Firm* — Monique A. Vander Molen

(57) **CLAIM**

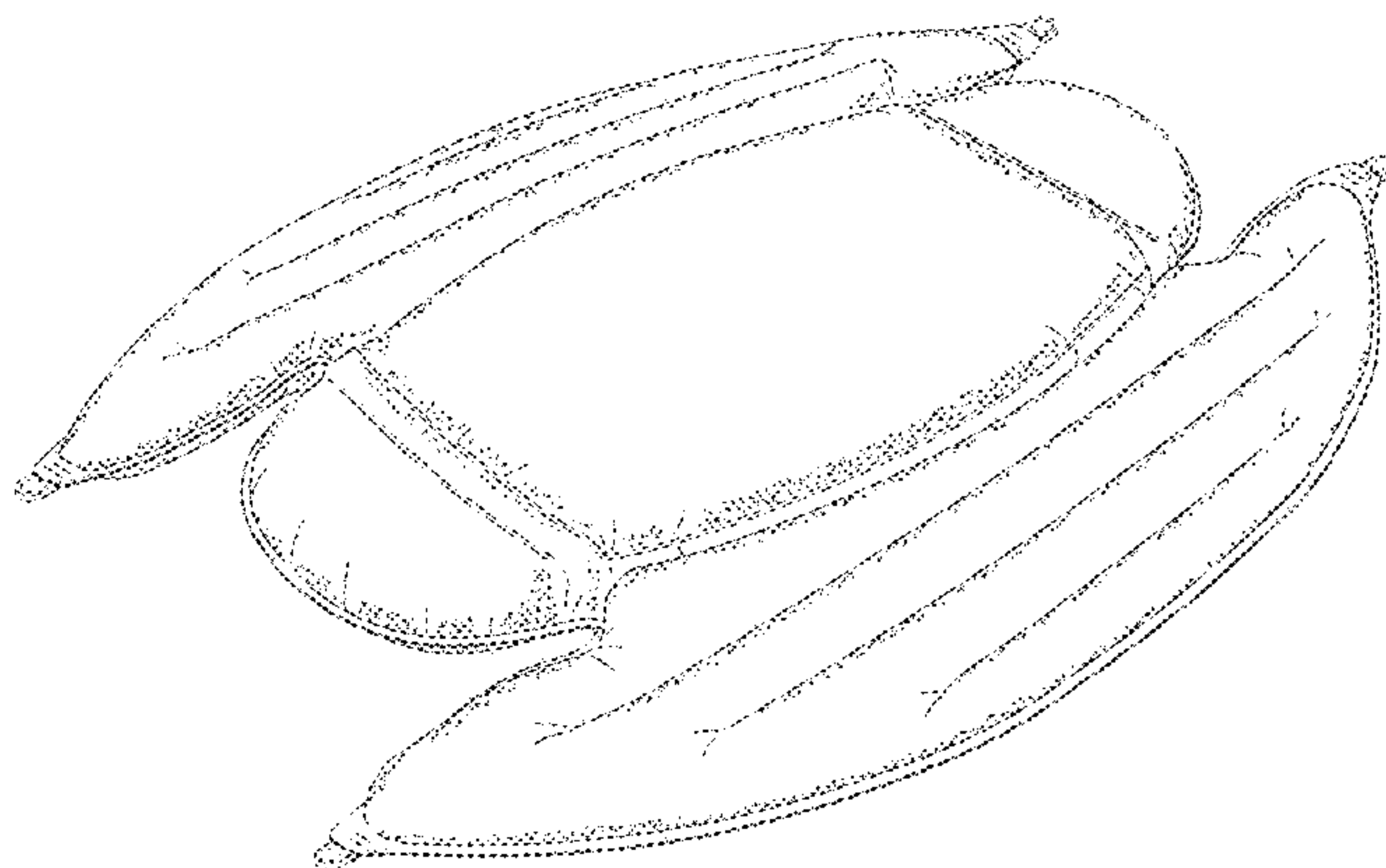
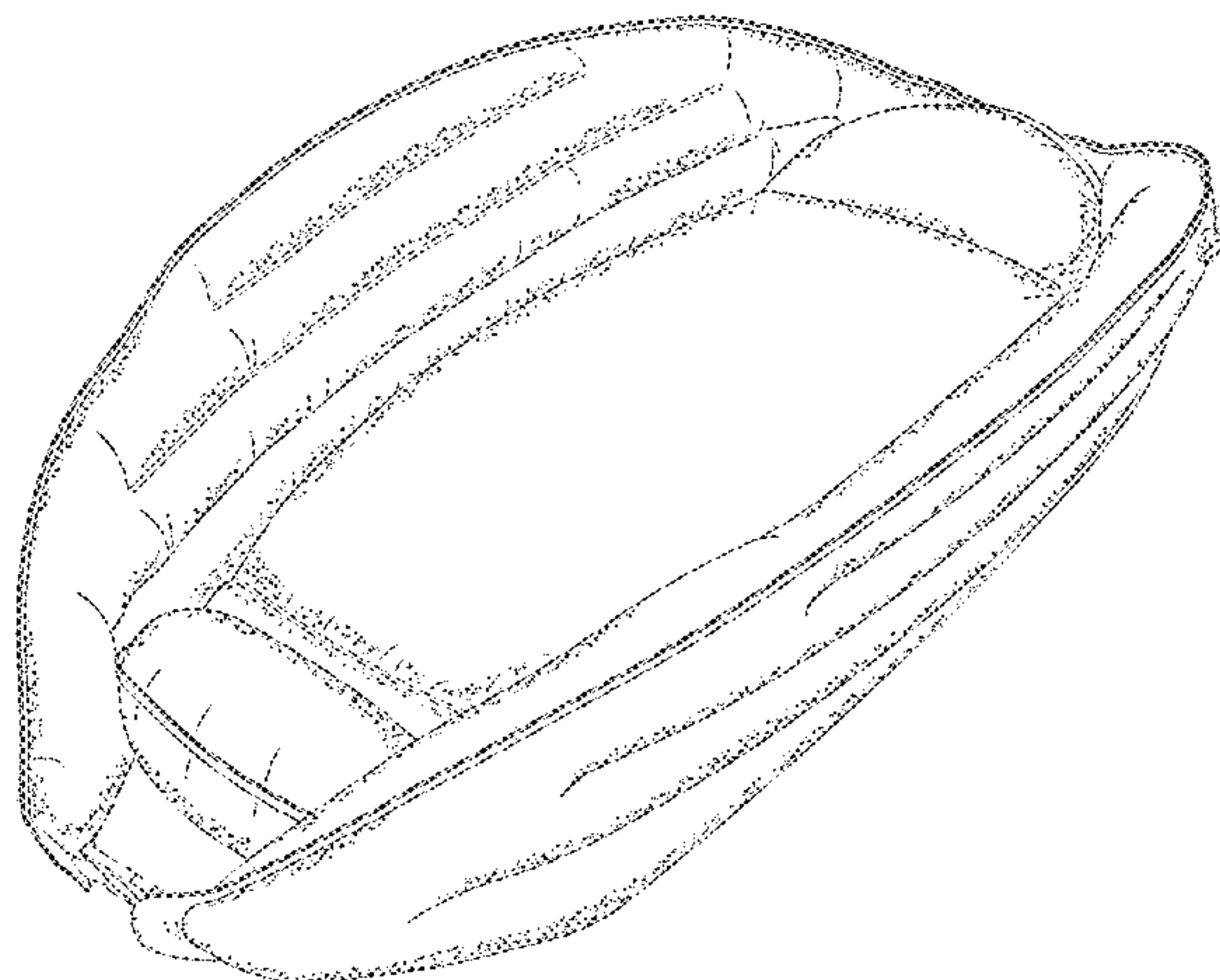
The ornamental design for a cot, as shown and described.

DESCRIPTION

This application claims the benefit of, and claims priority to, where appropriate, U.S. Nonprovisional application Ser. No. 15/860,569, filed Jan. 2, 2018, and which is incorporated herein by reference in its entirety, and to the fullest extent available.

FIG. 1 is a top perspective view of a cot showing my new design, in a closed configuration;
 FIG. 2 is a top plan view thereof;
 FIG. 3 is a bottom plan view thereof;
 FIG. 4 is a front elevation view thereof;
 FIG. 5 is a rear elevation view thereof;
 FIG. 6 is a right side view thereof;
 FIG. 7 is a left side view thereof;
 FIG. 8 is a top perspective view of the cot, shown in a transitional configuration;
 FIG. 9 is a top perspective view of the cot, shown in an open configuration;
 FIG. 10 is a top plan view of the cot shown in FIG. 9;
 FIG. 11 is a bottom plan view of the cot shown in FIG. 9;
 FIG. 12 is a front elevation view of the cot shown in FIG. 9;
 FIG. 13 is a rear elevation view of the cot shown in FIG. 9;
 FIG. 14 is a right side view of the cot shown in FIG. 9;
 FIG. 15 is a left side view of the cot shown in FIG. 9;
 FIG. 16 is a top perspective view of the cot, shown flattened and in an open configuration;
 FIG. 17 is a top plan view of the cot shown in FIG. 16;
 FIG. 18 is a bottom plan view of the cot shown in FIG. 16;
 FIG. 19 is a rear elevation view of the cot shown in FIG. 16;
 FIG. 20 is a front elevation view of the cot shown in FIG. 16;
 FIG. 21 is a left side view of the cot shown in FIG. 16; and,
 FIG. 22 is a right side view of the cot.

(Continued)



The broken lines in the views of FIGS. 1-22 represent portions of the cot, which form no part of the claimed design.

1 Claim, 14 Drawing Sheets

(58) **Field of Classification Search**

CPC A47C 27/00; A47C 27/08; A47C 27/12;
A47C 27/14; A47C 19/00; A47C 23/00;
A47C 31/00; A47C 31/10; A47C 27/001;
A47G 9/083; A47G 9/10; A47G 9/1009;
A47G 2009/1018

See application file for complete search history.

(56) **References Cited**

U.S. PATENT DOCUMENTS

3,173,465	A	3/1965	Pastini	
3,323,147	A	6/1967	Van Dean	
3,762,404	A	10/1973	Sakita	
3,839,754	A	10/1974	Hooper	
3,901,225	A	8/1975	Sconce	
4,003,098	A	1/1977	Fink	
4,104,750	A	8/1978	Kelter et al.	
4,571,760	A	2/1986	Kassai	
4,670,923	A	6/1987	Gabriel et al.	
4,698,862	A	10/1987	Mairs	
4,827,542	A	5/1989	Kurtenbach	
4,885,811	A	12/1989	Hayes	
5,060,324	A	10/1991	Marinberg et al.	
5,134,733	A	8/1992	Wetter et al.	
5,265,289	A	11/1993	Swiger et al.	
5,341,530	A	8/1994	Ward	
5,928,054	A	7/1999	Mast	
6,076,485	A	6/2000	Peeples et al.	
6,393,639	B1	5/2002	Ohsner	
6,546,574	B1	4/2003	Bader	
D506,239	S *	6/2005	Peterson	D21/803
6,912,743	B1	7/2005	Weil	
7,037,170	B2	5/2006	Pacella et al.	
7,055,194	B2	6/2006	Arthur	
7,059,000	B2	6/2006	Verbovszky	
D556,284	S *	11/2007	Peterson	D21/803
7,404,219	B2	7/2008	Berkey	

7,681,267	B1	3/2010	Hall	
7,789,413	B2	9/2010	Hei et al.	
7,810,193	B1	10/2010	Ennis et al.	
7,895,690	B2	3/2011	Kovalyak	
D673,789	S *	1/2013	Furuland	D6/390
D673,790	S *	1/2013	Furuland	D6/390
D681,966	S	5/2013	Slotteroy et al.	
D697,336	S *	1/2014	Perry	D21/803
8,667,626	B2	3/2014	Zheng	
9,009,887	B2	4/2015	Lo	
9,326,619	B2	5/2016	Krass	
9,629,759	B2	4/2017	Belsinger, Jr.	
D814,824	S *	4/2018	Furuland	D6/390
D838,122	S *	1/2019	Faniku	D6/596
D852,543	S *	7/2019	Clute	D6/604
2002/0124311	A1 *	9/2002	Peftoulidis	A47C 17/86 5/308
2006/0117478	A1	6/2006	Cheung	
2006/0150323	A1	7/2006	Daeseleire	
2007/0277321	A1	12/2007	Leach	
2008/0313812	A1	12/2008	Reeves et al.	
2010/0096419	A1	4/2010	Stephens	
2010/0186165	A1 *	7/2010	Marciano	A47C 17/64 5/419
2011/0065344	A1	3/2011	Breuer et al.	
2012/0284923	A1	11/2012	Jensen et al.	
2013/0111661	A1 *	5/2013	Furuland	A47D 7/01 5/93.1
2015/0052685	A1	2/2015	Bhat et al.	
2015/0164237	A1	6/2015	Kearse et al.	
2018/0192797	A1 *	7/2018	Yang	A47D 9/00
2019/0014921	A1	1/2019	Cummings	

OTHER PUBLICATIONS

Notification concerning transmittal of International Preliminary Report on Patentability, the International Preliminary Report on Patentability, and Written Opinion of the International Searching Authority, for International Application No. PCT/US2018/012118, dated Jul. 2, 2019, 7 pages.
Machine translation of Koblichke, M., DE 933292, published Sep. 22, 1955, showing Description (4 pages), and Claims (1 page).
EP Communication containing supplementary European Search Report and the European Search Opinion, for EP Patent Application No. 18734016.1, dated Apr. 17, 2020 (8 pages).

* cited by examiner

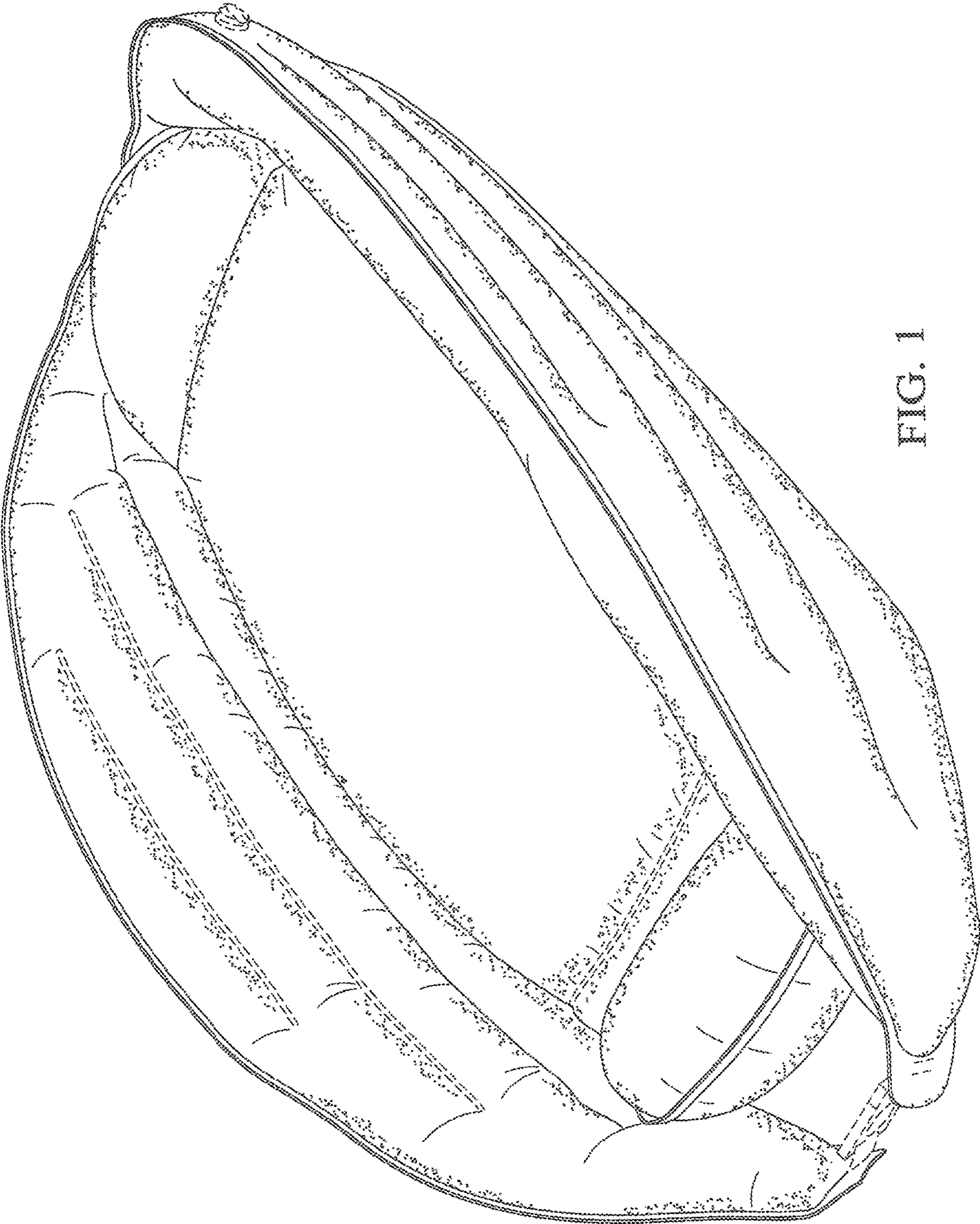


FIG. 1

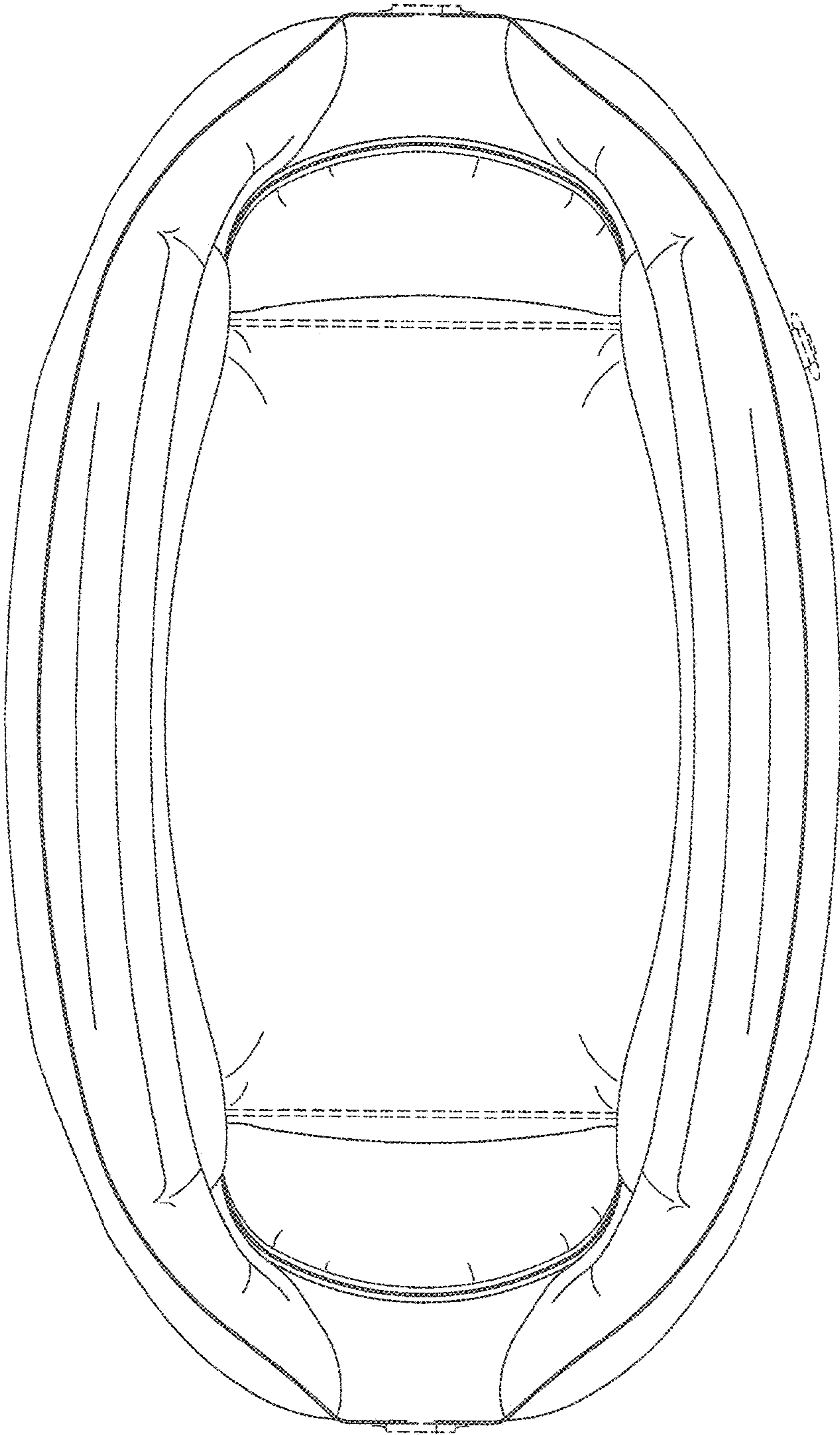


FIG. 2

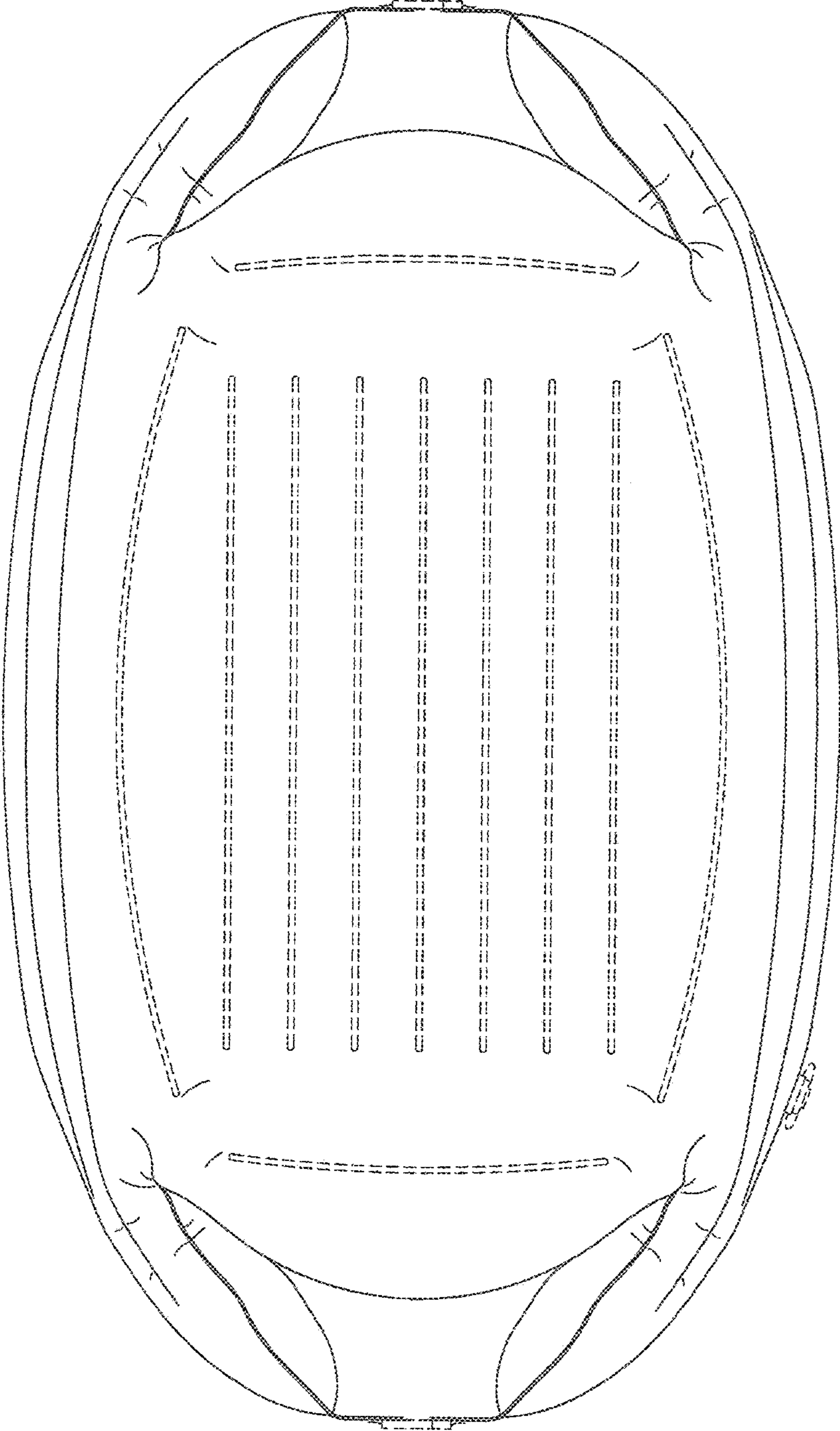


FIG. 3

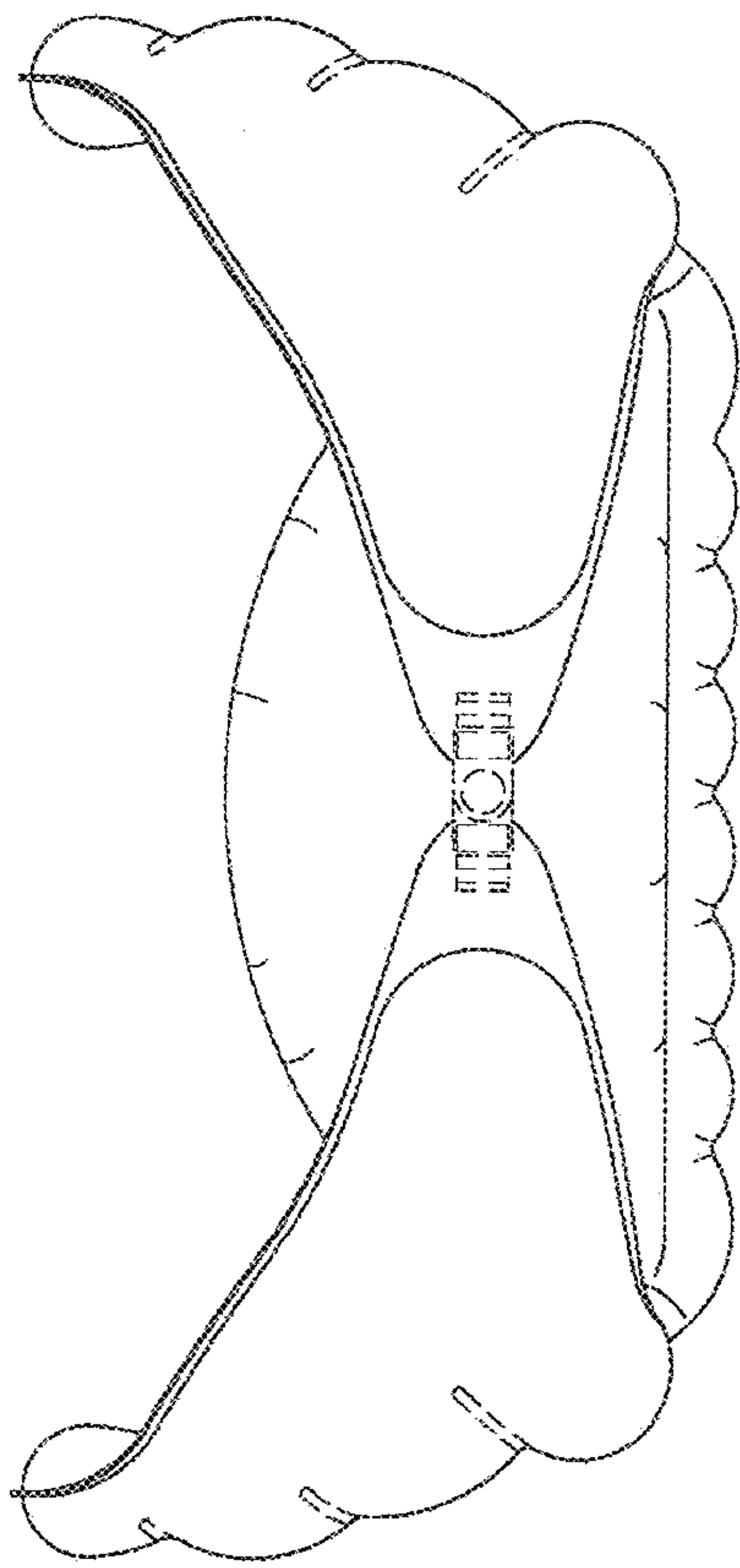


FIG. 4

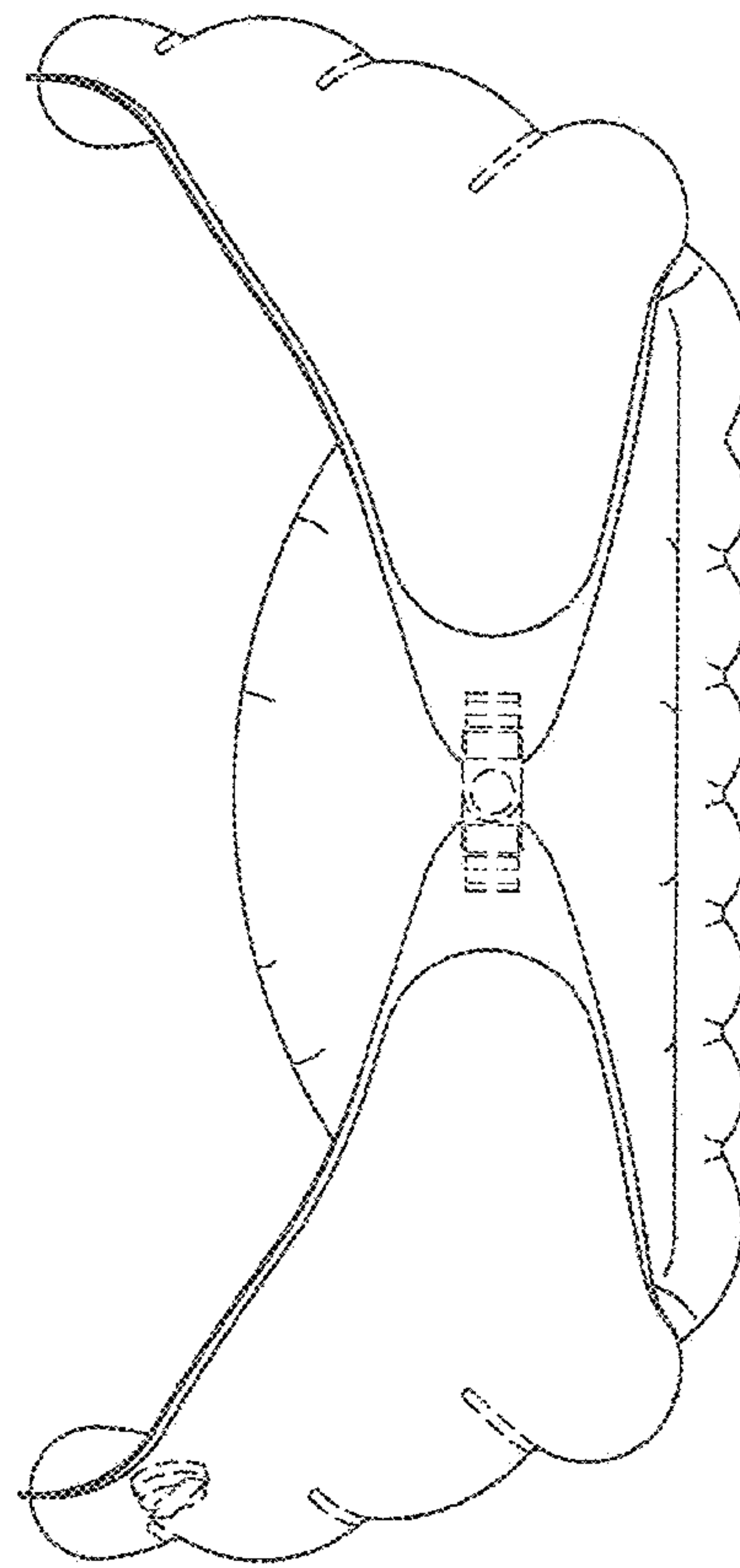


FIG. 5

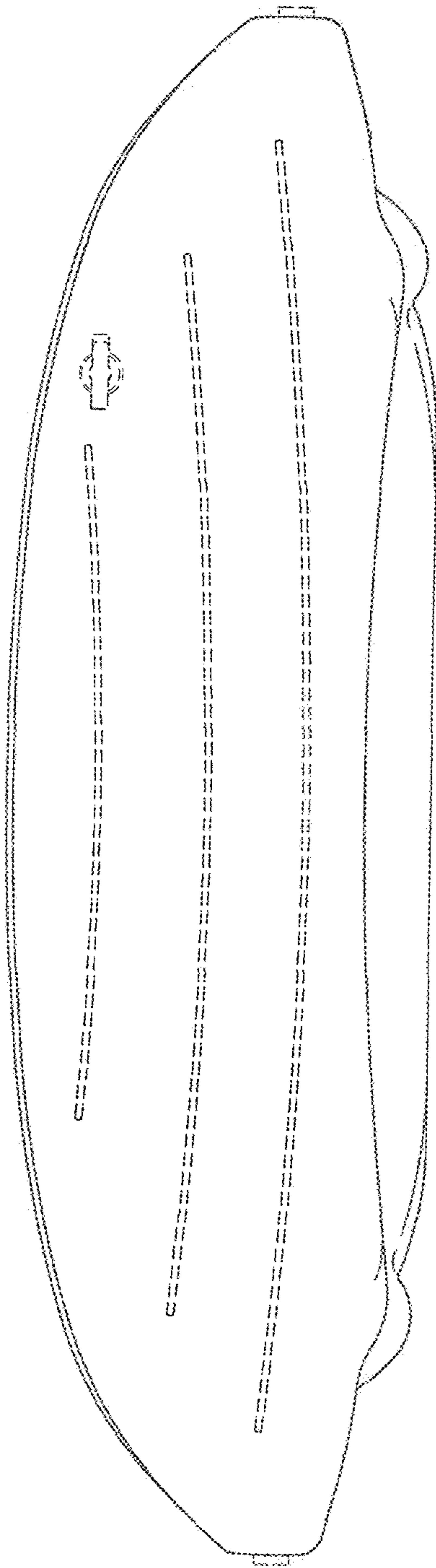


FIG. 6

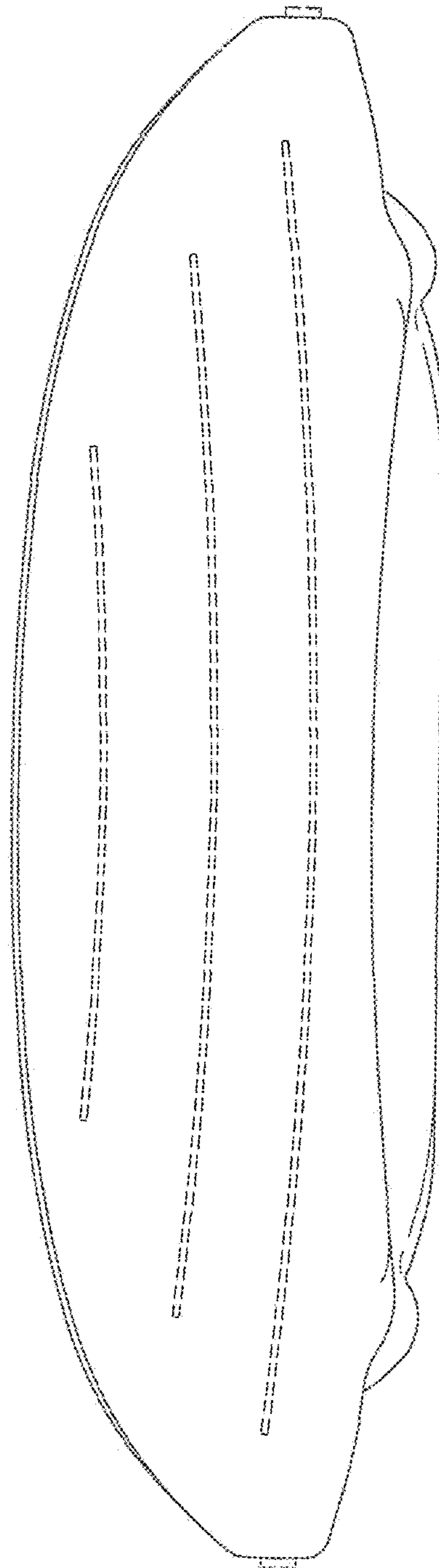


FIG. 7

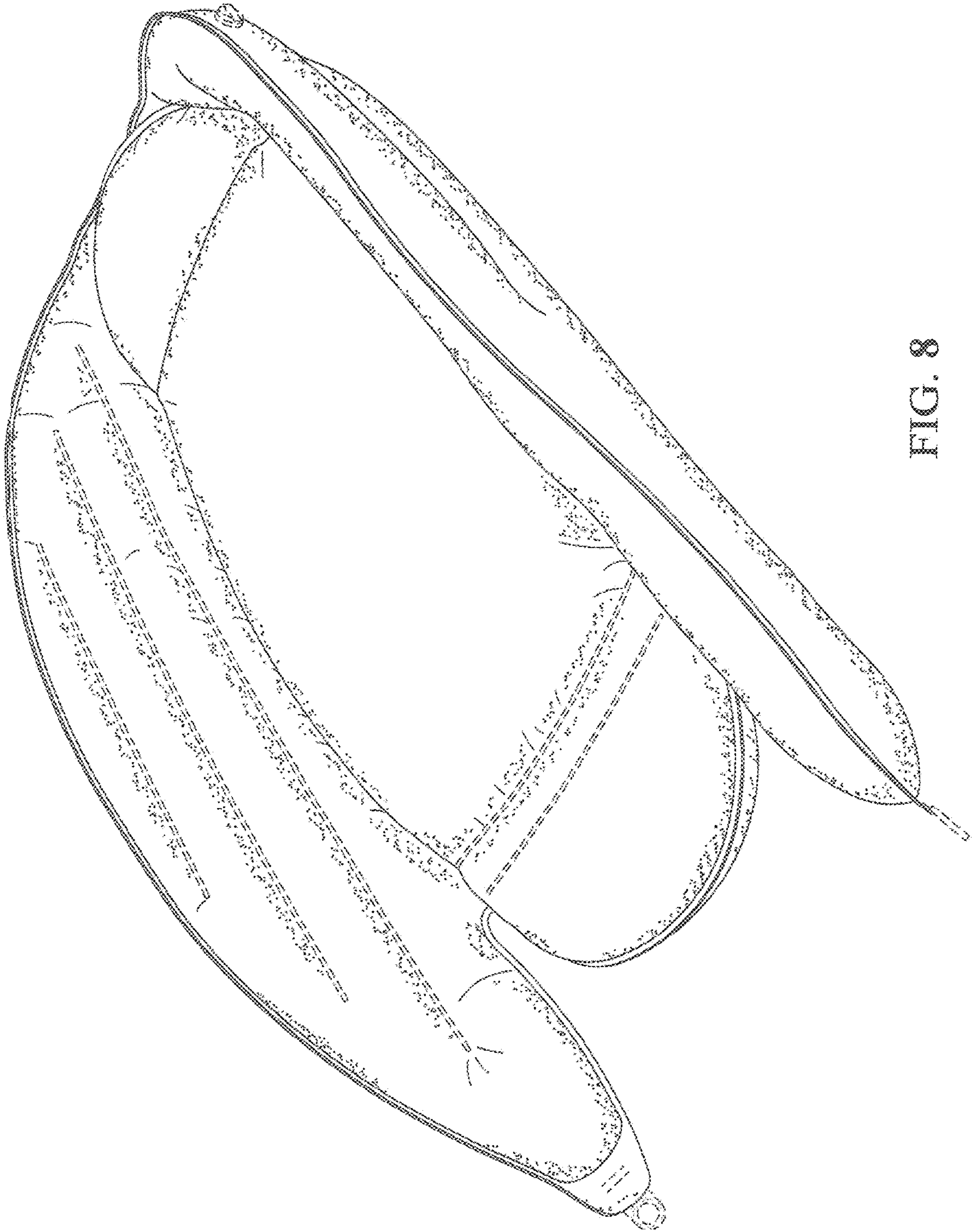


FIG. 8

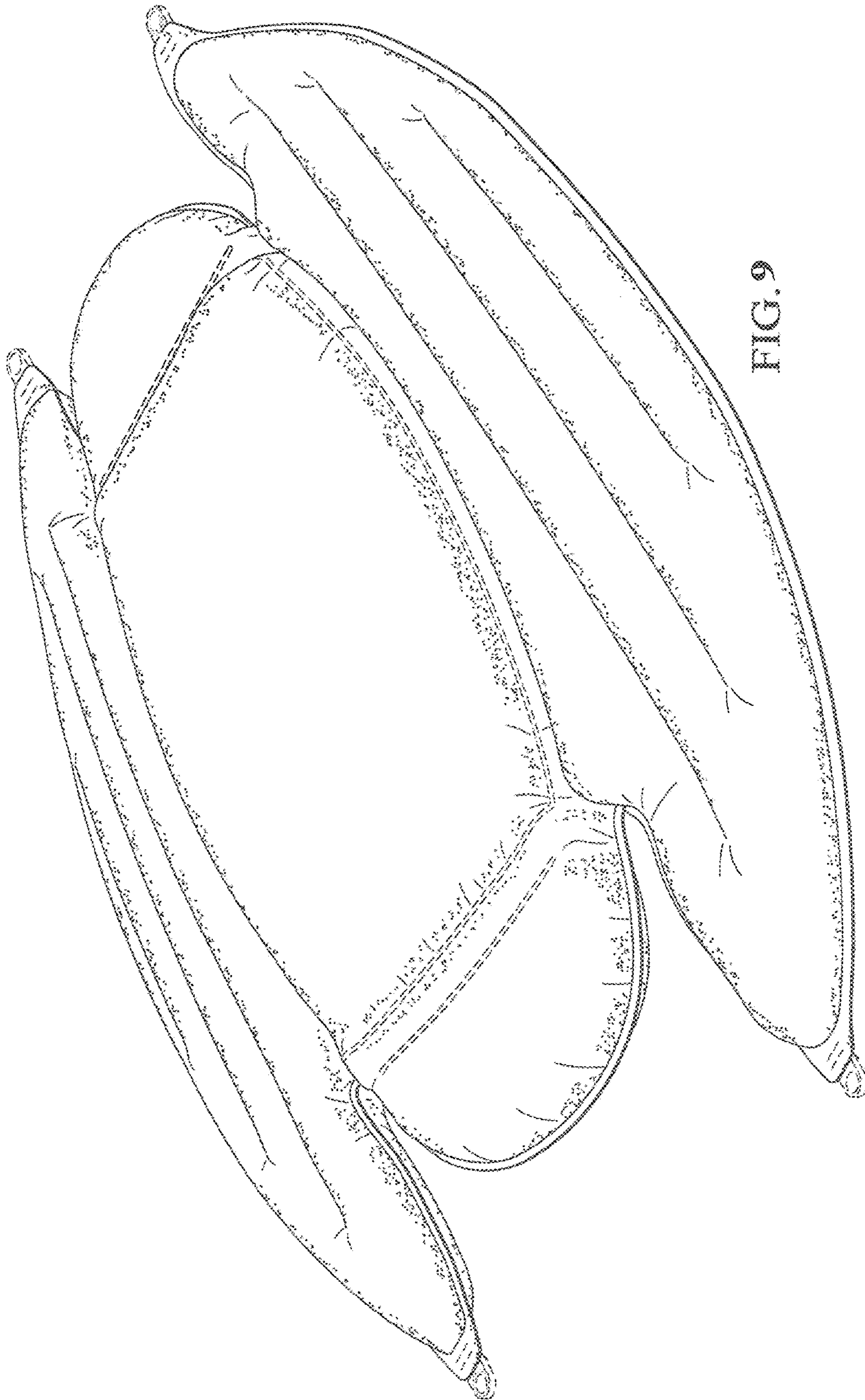


FIG. 9

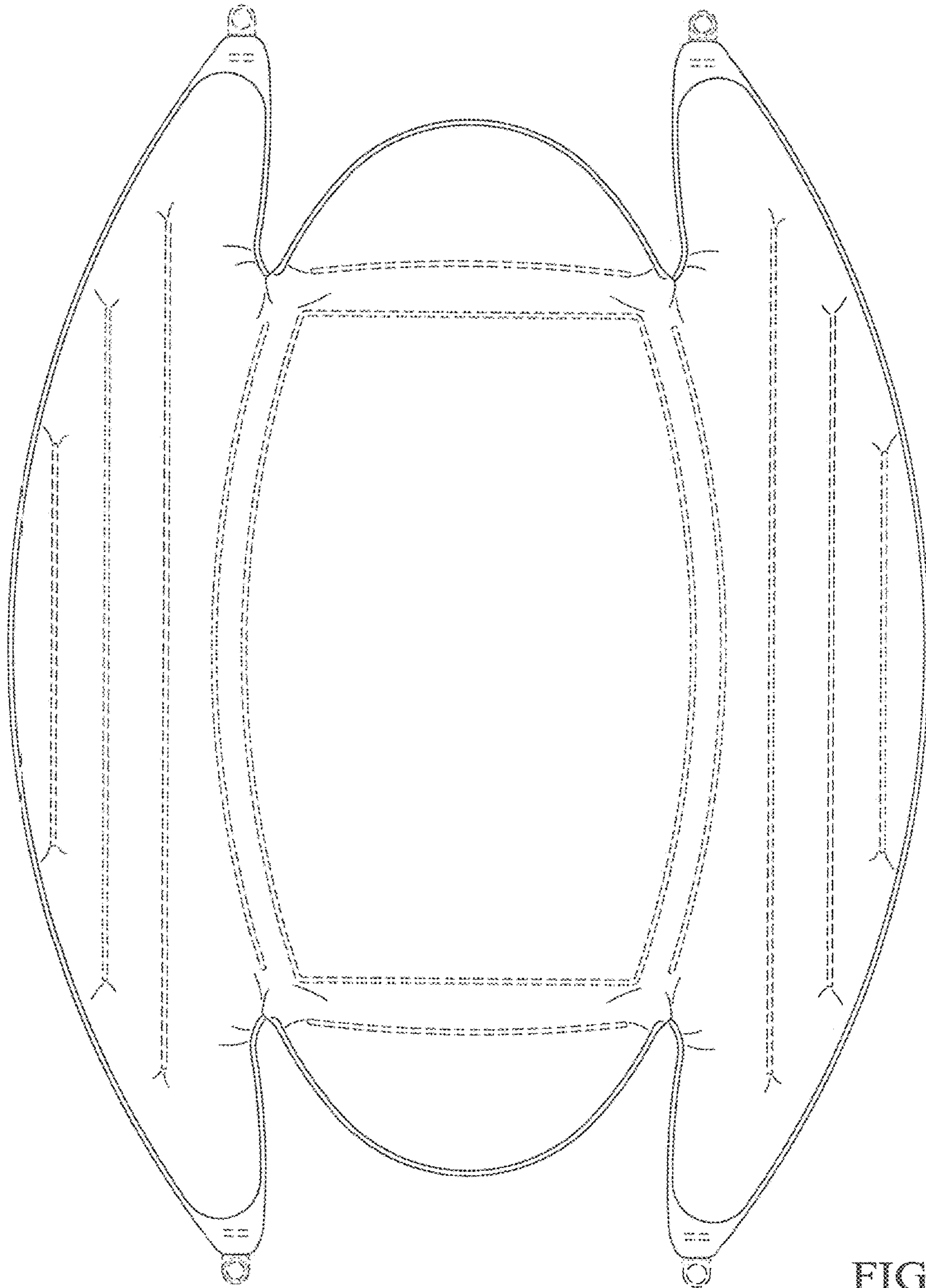


FIG. 10

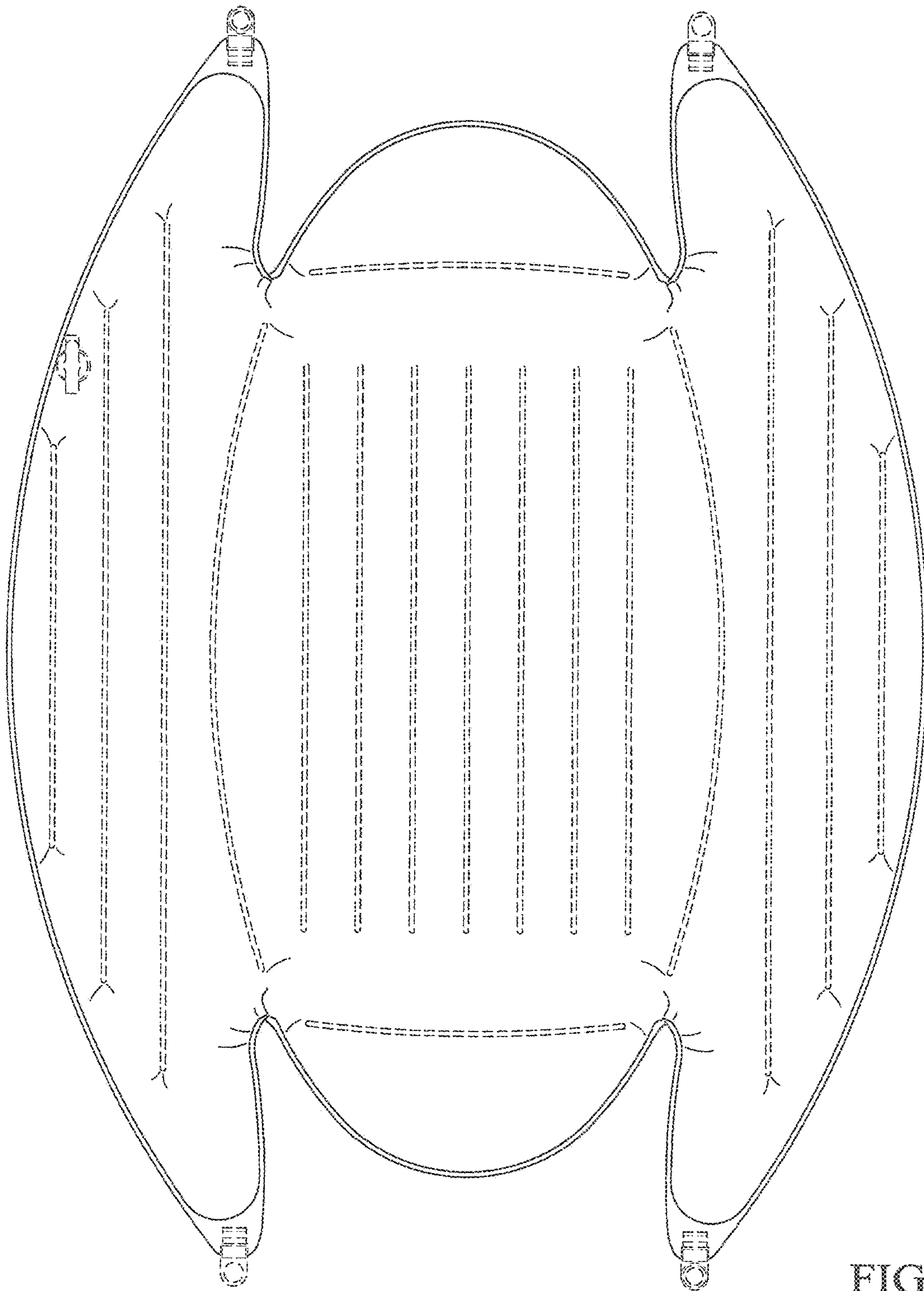


FIG. 11

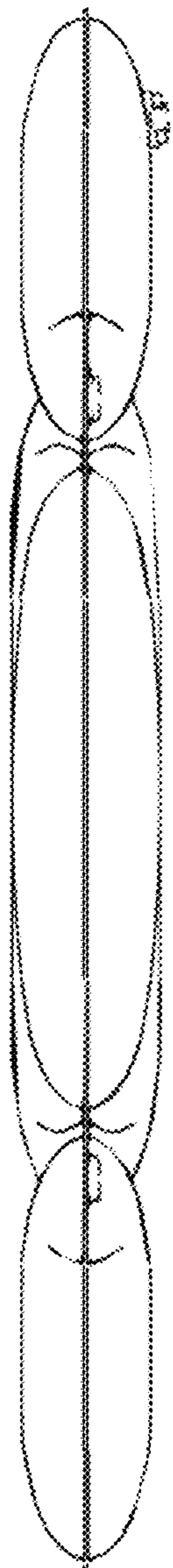


FIG. 12

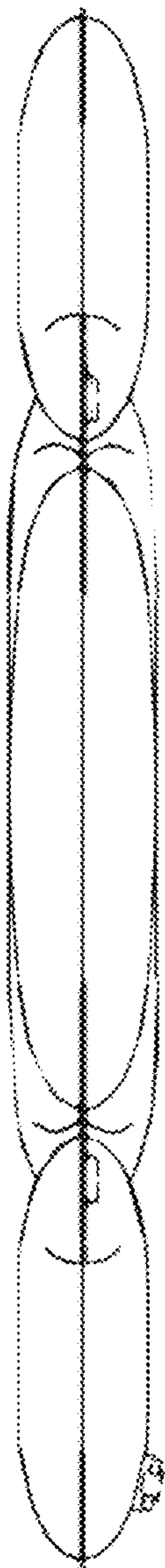


FIG. 13

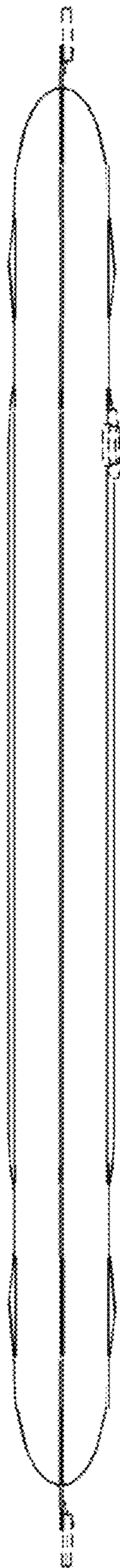


FIG. 14

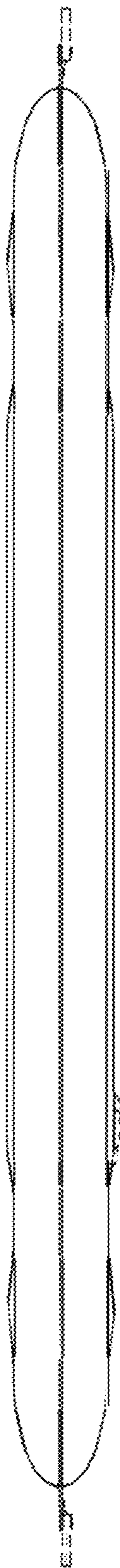


FIG. 15

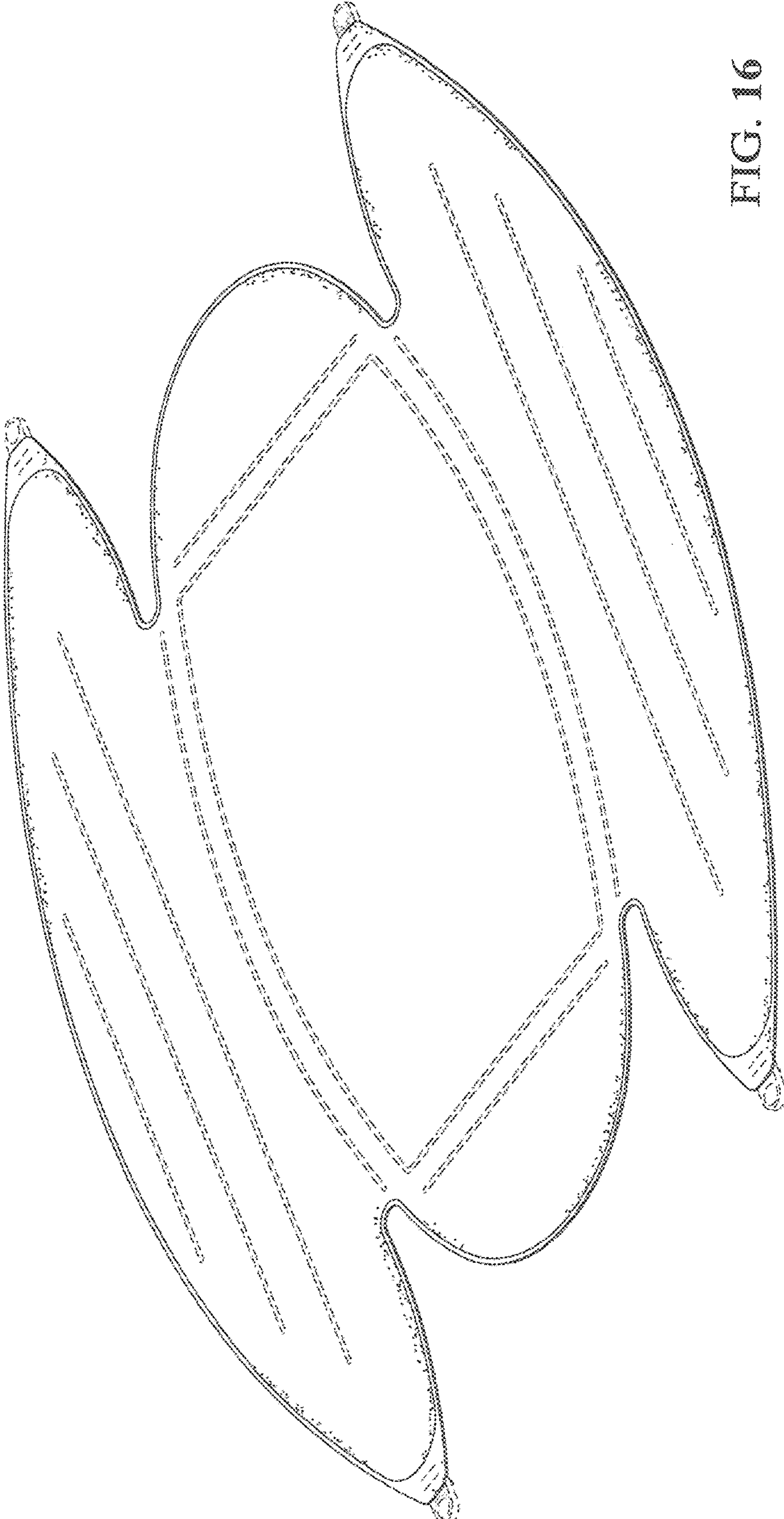


FIG. 16

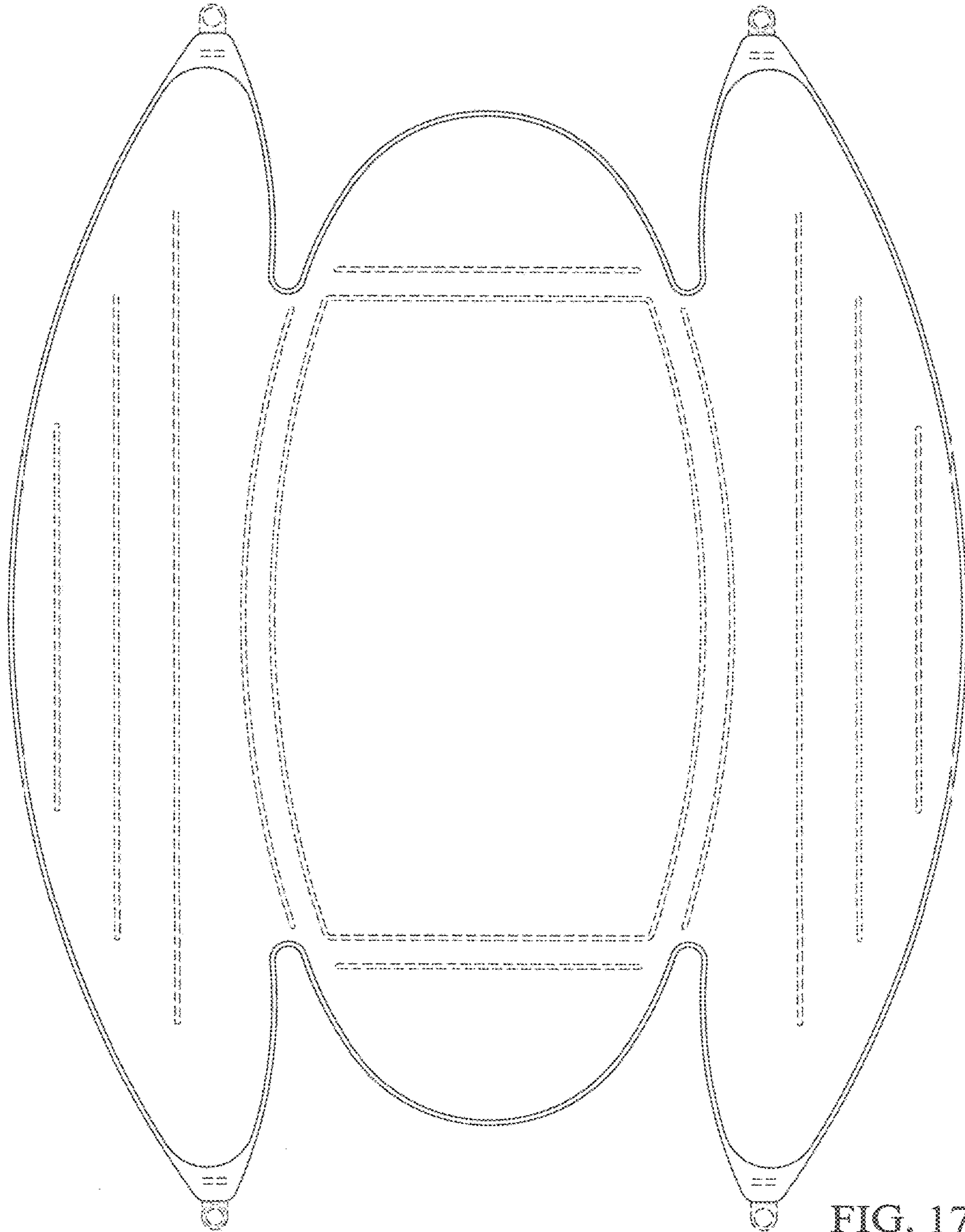


FIG. 17

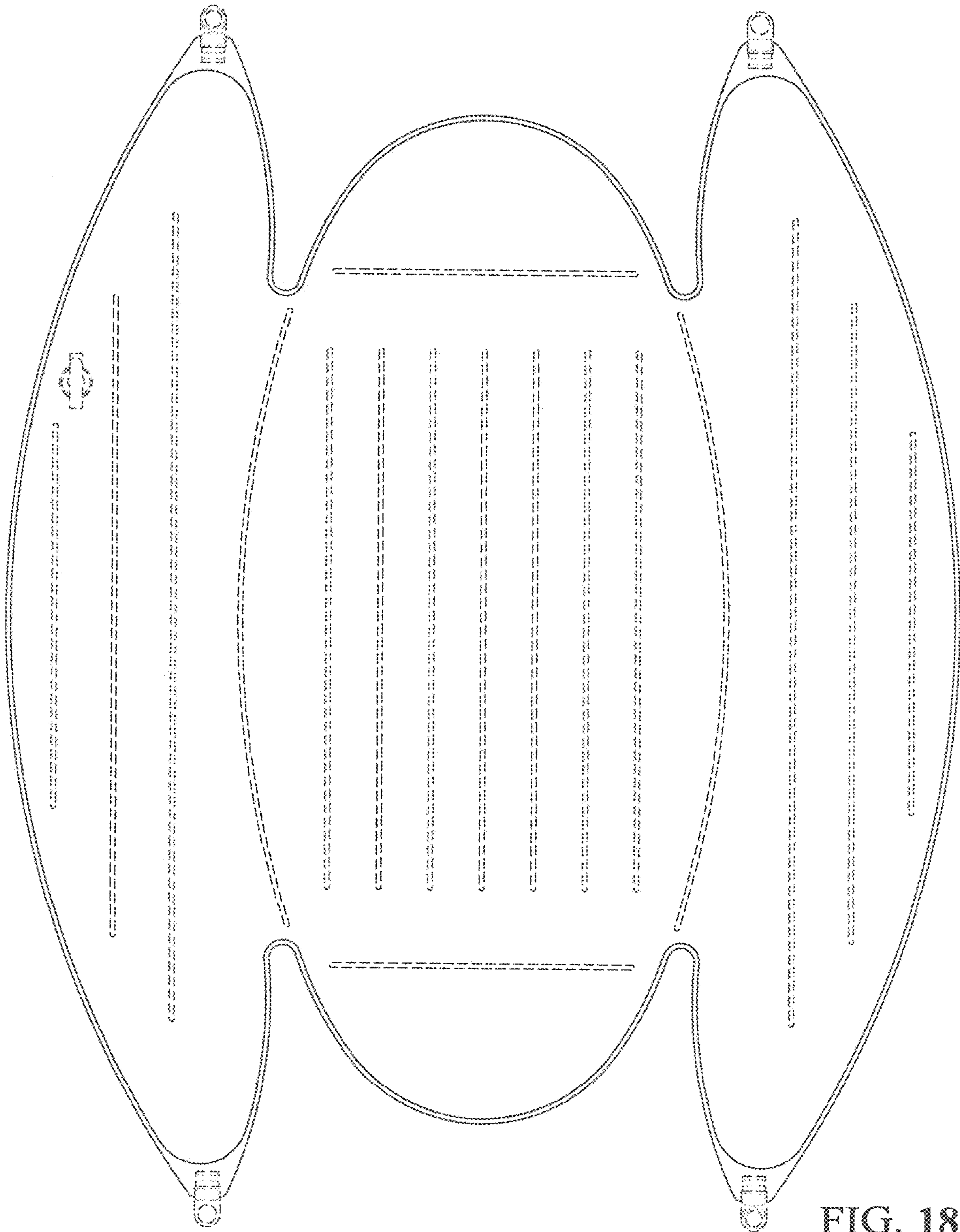


FIG. 18



FIG. 19



FIG. 20

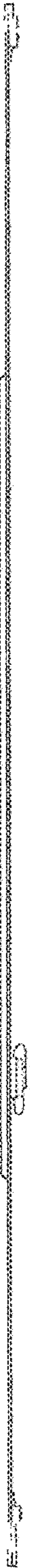


FIG. 21



FIG. 22