



US00D911740S

(12) **United States Design Patent**
Spangler

(10) **Patent No.:** **US D911,740 S**

(45) **Date of Patent:** **** Mar. 2, 2021**

(54) **TOWEL BAR**

(71) Applicant: **DELTA FAUCET COMPANY,**
Indianapolis, IN (US)

(72) Inventor: **Anthony G. Spangler,** Indianapolis, IN
(US)

(73) Assignee: **DELTA FAUCET COMPANY,**
Indianapolis, IN (US)

(**) Term: **15 Years**

(21) Appl. No.: **29/712,681**

(22) Filed: **Nov. 11, 2019**

(51) **LOC (13) Cl.** **06-04**

(52) **U.S. Cl.**
USPC **D6/549**

(58) **Field of Classification Search**
USPC D6/546–550, 512–525; 211/13.1, 16,
211/85.5, 86.01, 87.01, 88.04, 100, 105.1,
211/105.2, 106, 113, 123, 181.1,
211/182–183; 248/49, 175, 176.1, 200,
248/201, 205.1, 251, 302, 309.1, 315;
242/570, 590, 595–598; D8/300,
D8/315–321, 354, 363, 373, 380;
108/28–29
CPC A47K 10/3836; A47K 10/38
See application file for complete search history.

(56) **References Cited**

U.S. PATENT DOCUMENTS

D515,344 S * 2/2006 Hoernig D6/549
D516,350 S * 3/2006 Chen D6/549

D551,056 S * 9/2007 Ricereto D8/317
D569,704 S * 5/2008 Ricereto D8/315
D570,646 S * 6/2008 Jeon D7/402
D600,055 S * 9/2009 Hanes D6/523
D729,035 S * 5/2015 Zimmer D8/316
D784,728 S * 4/2017 Eads D6/549
D836,944 S * 1/2019 Rutgers D6/549
D836,946 S * 1/2019 Rutgers D6/549
D862,113 S * 10/2019 Downey D6/546
D889,243 S * 7/2020 Eads D8/316
2012/0097692 A1 * 4/2012 Wang F16B 47/003
220/737

* cited by examiner

Primary Examiner — Nathan M Johnston

(74) *Attorney, Agent, or Firm* — Nirav D. Parikh; Edgar
A. Zarins

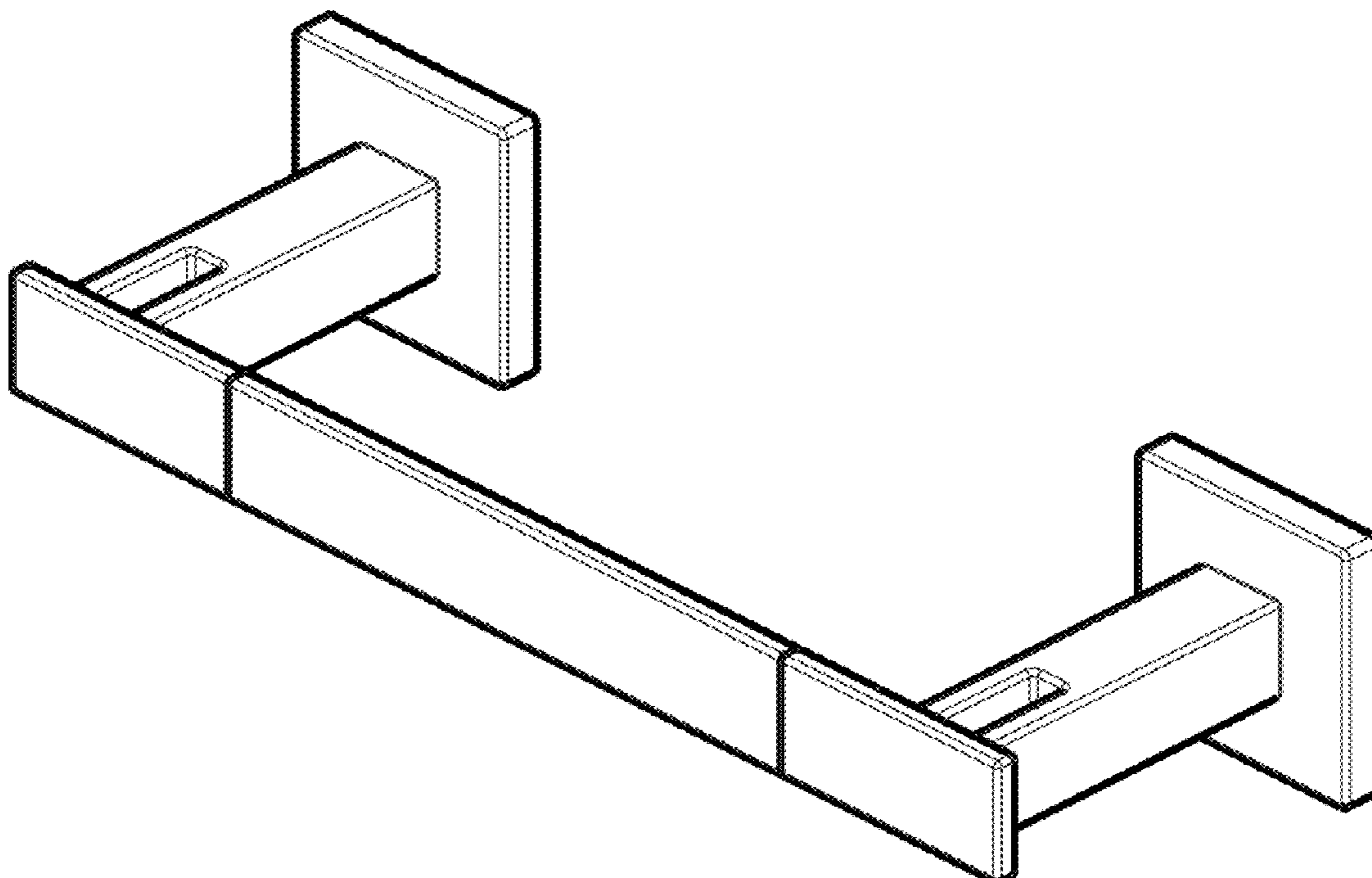
(57) **CLAIM**

The ornamental design for a towel bar, as shown and
described.

DESCRIPTION

FIG. 1 is a front perspective view of a towel bar showing my
new design;
FIG. 2 is a rear perspective view thereof;
FIG. 3 is a front elevational view thereof;
FIG. 4 is a left side view thereof;
FIG. 5 is a rear view thereof;
FIG. 6 is a right side view thereof;
FIG. 7 is a top plan view thereof; and,
FIG. 8 is a bottom view thereof.

1 Claim, 4 Drawing Sheets



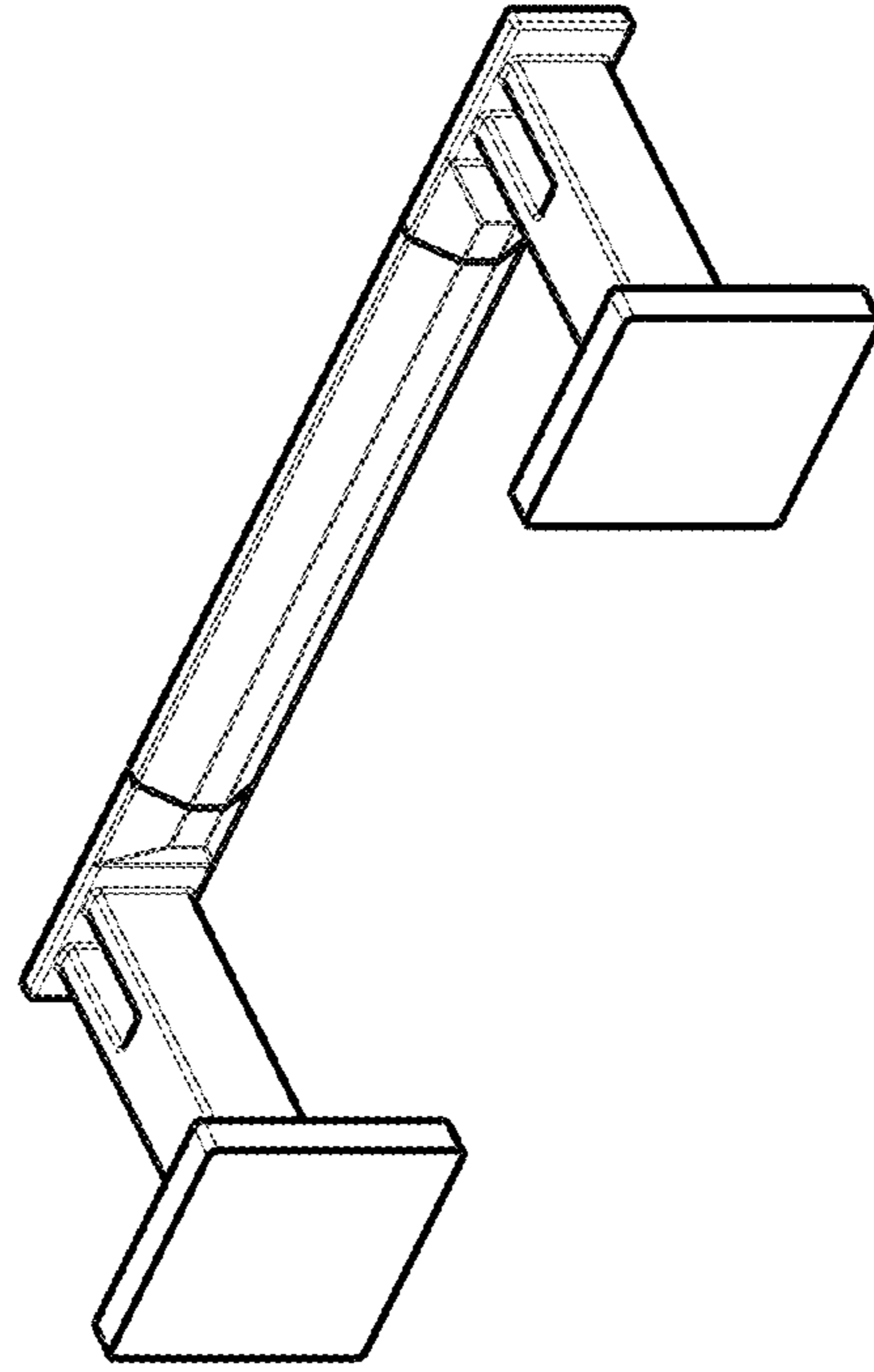


FIG-2

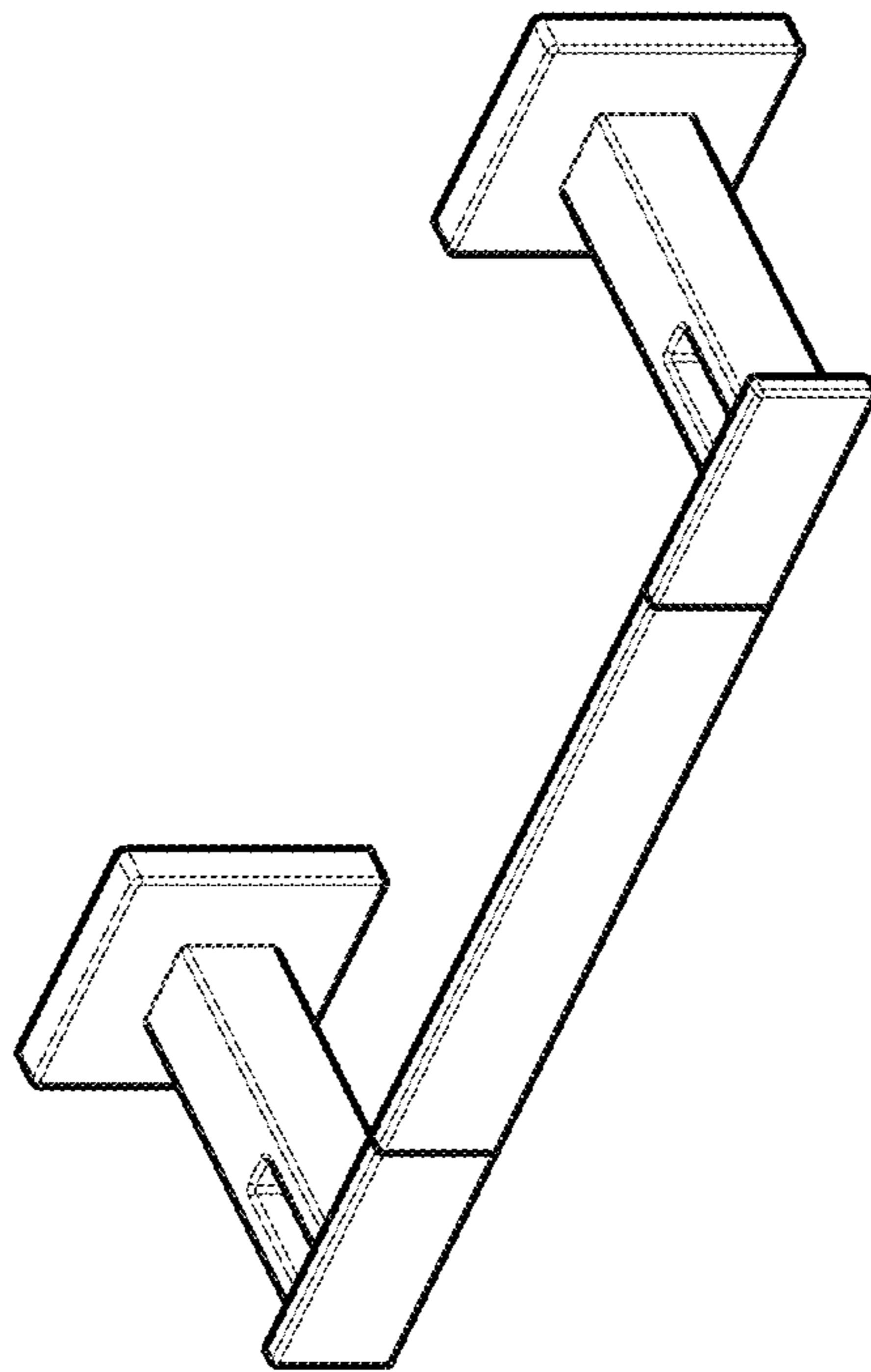


FIG-1

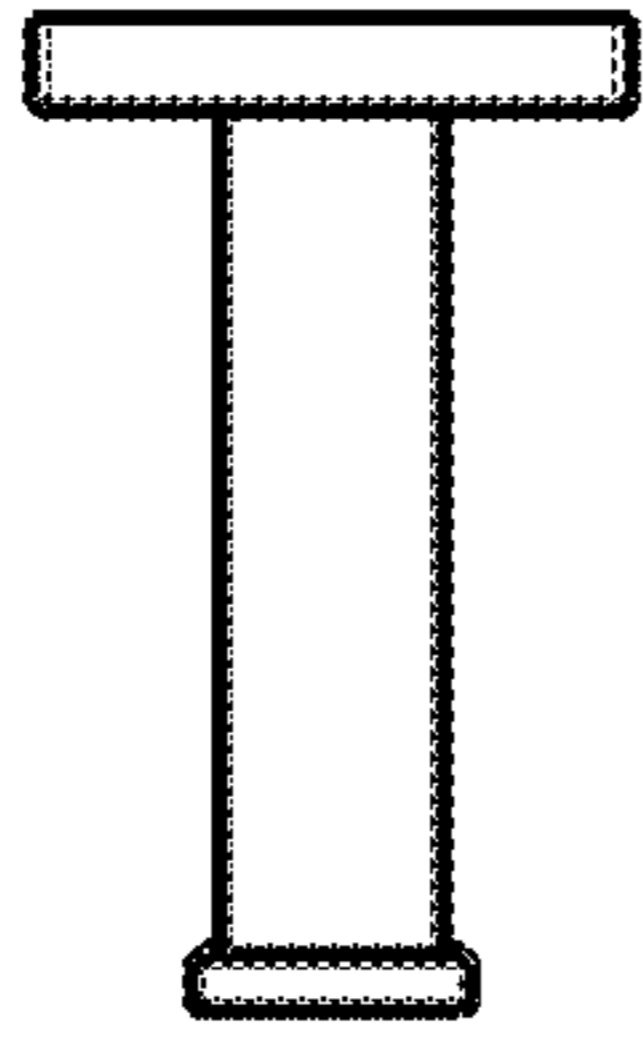


FIG - 4

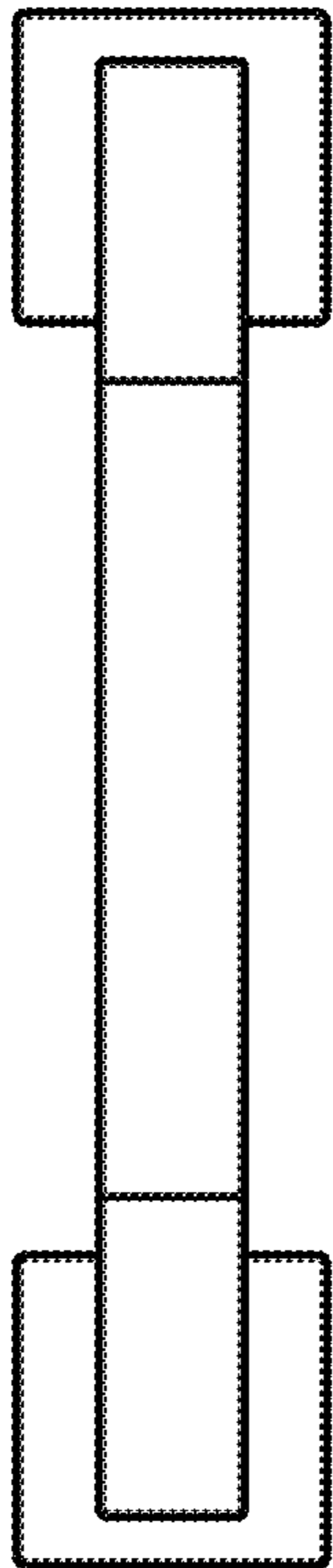


FIG - 3

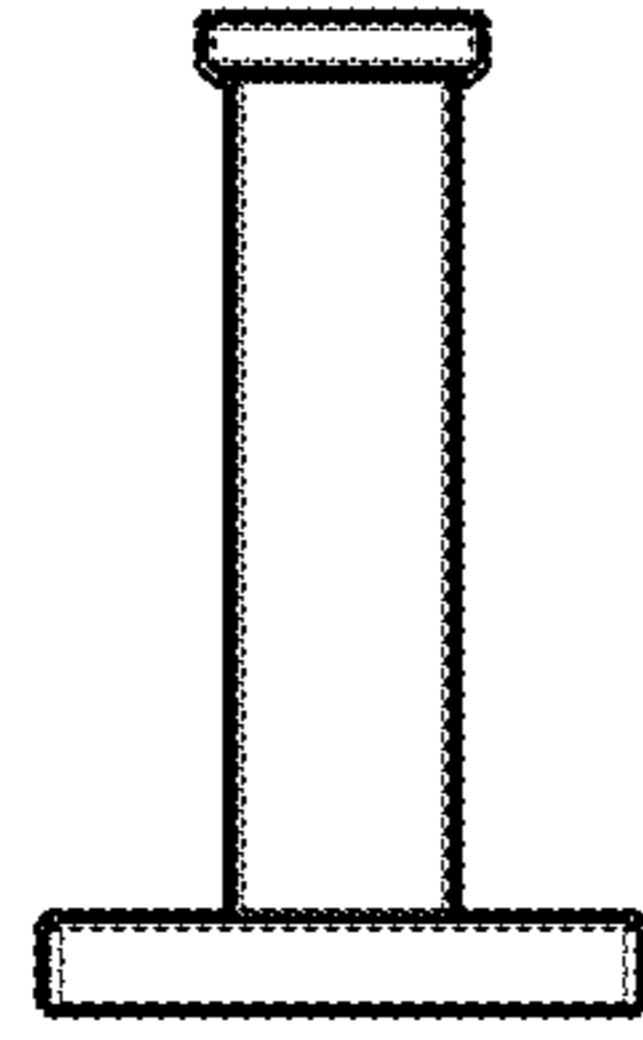


FIG-6

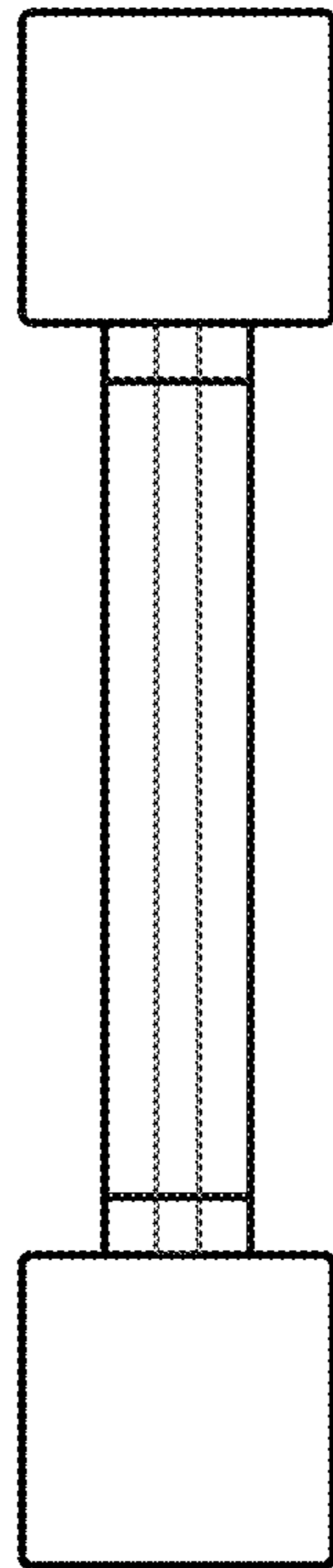


FIG-5

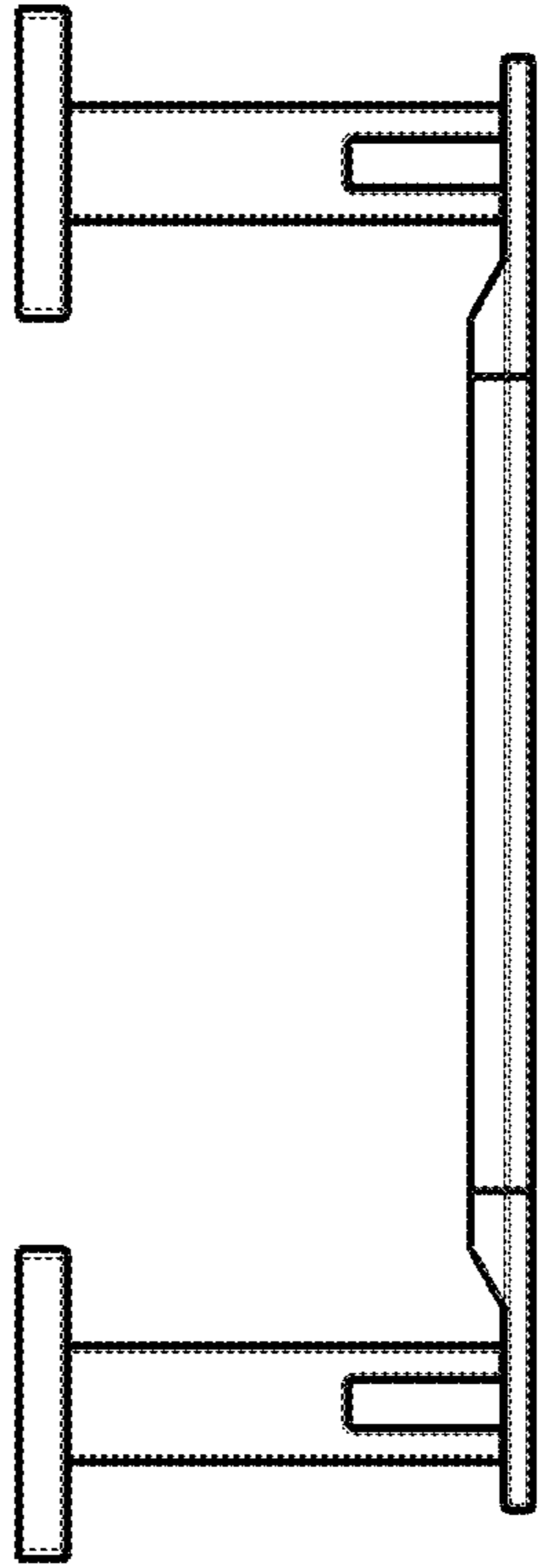


FIG-8



FIG-7