



US00D911738S

(12) **United States Design Patent**
Chang

(10) **Patent No.:** **US D911,738 S**

(45) **Date of Patent:** **** Mar. 2, 2021**

(54) **SUPPORT BRACKET**

(71) Applicant: **Designer Brass Corporation**, Taichung (TW)

(72) Inventor: **Cheng Chung Chang**, Taichung (TW)

(73) Assignee: **DESIGNER BRASS CORPORATION**, Taichung (TW)

(**) Term: **15 Years**

(21) Appl. No.: **29/688,002**

(22) Filed: **Apr. 17, 2019**

(51) **LOC (13) Cl.** **23-02**

(52) **U.S. Cl.**
USPC **D6/524**; D6/546; D6/523

(58) **Field of Classification Search**
USPC D6/518–524, 546–550; 211/13.1, 16, 211/85.5, 86.01, 87.01, 88.04, 110, 105.1, 211/105.2, 106, 113, 123, 181.1, 211/182–183; 248/49, 175, 176.1, 200, 248/201, 205.1, 251, 302, 309.1, 315; 242/570, 590, 595–598; D8/300, 370, D8/315; 108/28–29
CPC A47K 10/04; A47K 10/00
See application file for complete search history.

(56) **References Cited**

U.S. PATENT DOCUMENTS

D410,193 S *	5/1999	Bredemeier	D8/363
D463,938 S *	10/2002	Lee Wang	D6/524
D470,742 S *	2/2003	Fields	D8/316
D484,722 S *	1/2004	Goodman	D6/546
D498,624 S *	11/2004	Chen	D6/524
D504,804 S *	5/2005	Chen	D8/316
D533,384 S *	12/2006	Gilbert	D6/550

D552,903 S *	10/2007	Bitterman	D6/524
D609,515 S *	2/2010	Krumpe	D6/524
D680,783 S *	4/2013	Chang	D6/550
D699,968 S *	2/2014	Cahill	D6/524
D824,694 S *	8/2018	Schaubach	D6/550
D836,945 S *	1/2019	Rutgers	D6/549

* cited by examiner

Primary Examiner — Nathan M Johnston

(74) *Attorney, Agent, or Firm* — Muncy, Geissler, Olds & Lowe, P.C.

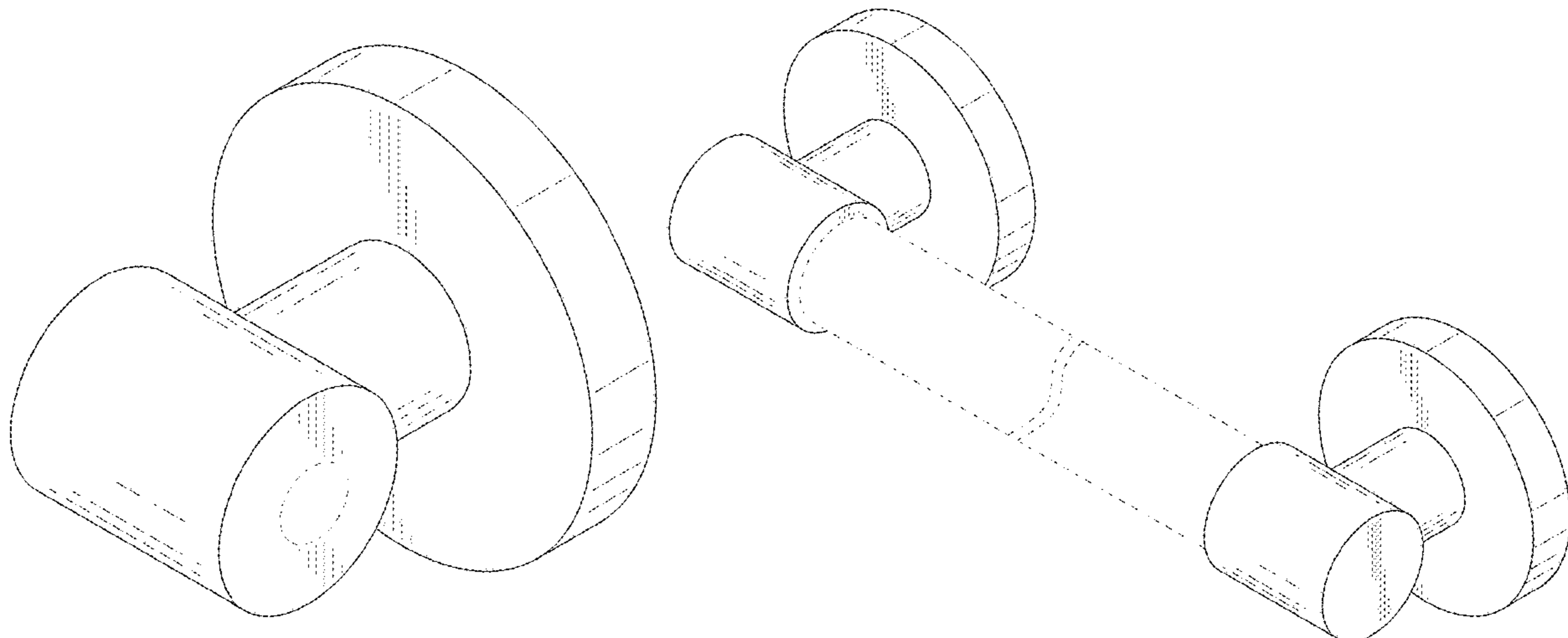
(57) **CLAIM**

The ornamental design for a support bracket, as shown and described.

DESCRIPTION

FIG. 1 is a top, front, and right side perspective view of a support bracket showing my new design; FIG. 2 is a front elevation view thereof; FIG. 3 is a top plan view thereof; the bottom being a mirror image of that shown; FIG. 4 is a right side elevation view thereof, the left side being a mirror image of that shown; FIG. 5 is an additional top, front, and right side perspective view thereof; FIG. 6 is an additional top, front, and right side perspective view of a second embodiment thereof; FIG. 7 is an additional top, front, and right side perspective view of a third embodiment thereof; and, FIG. 8 is an additional top, front, and right side perspective view of a fourth embodiment thereof. The features shown in broken lines depict environmental subject matter only and form no part of the claimed design.

1 Claim, 8 Drawing Sheets



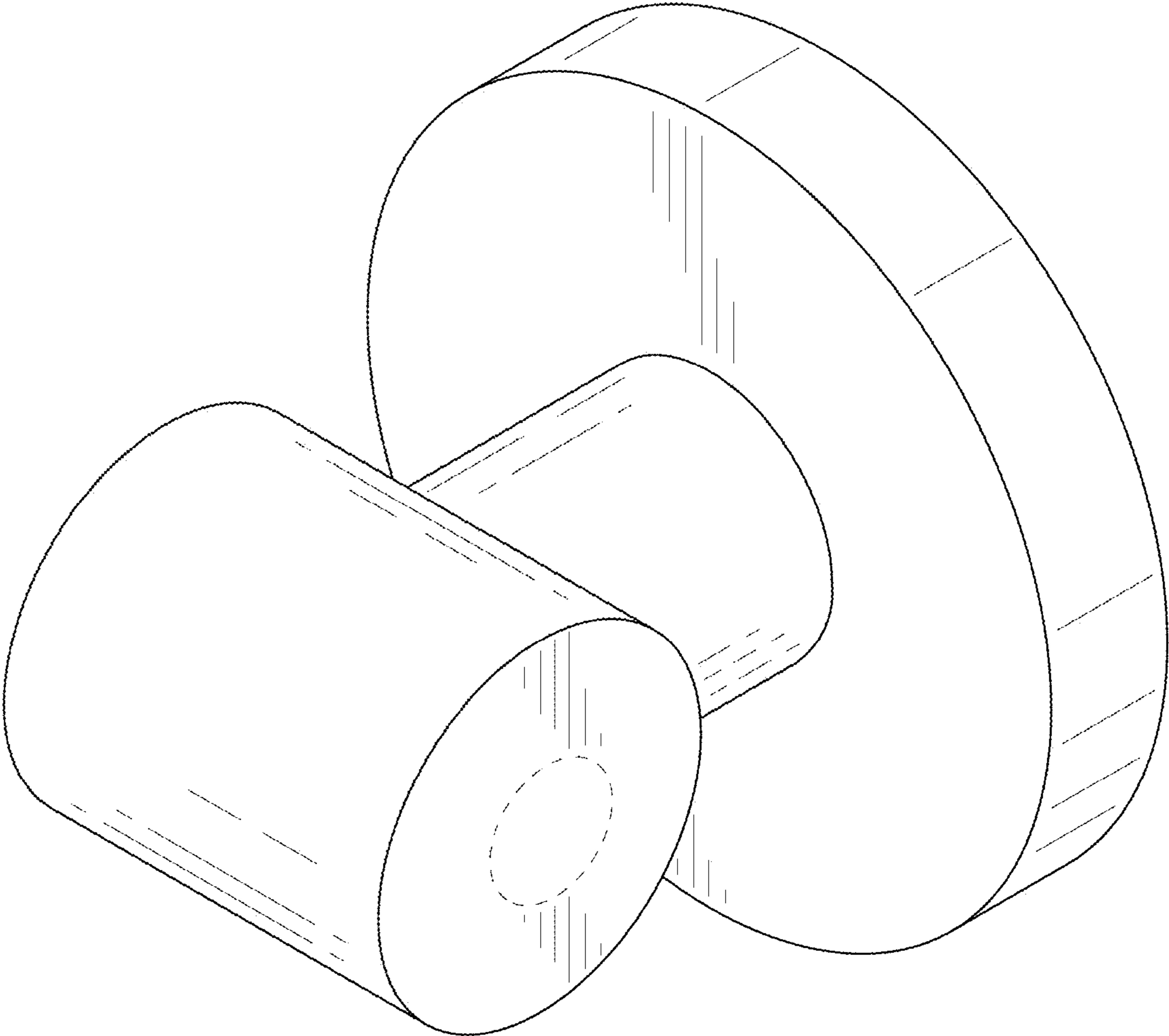


FIG.1

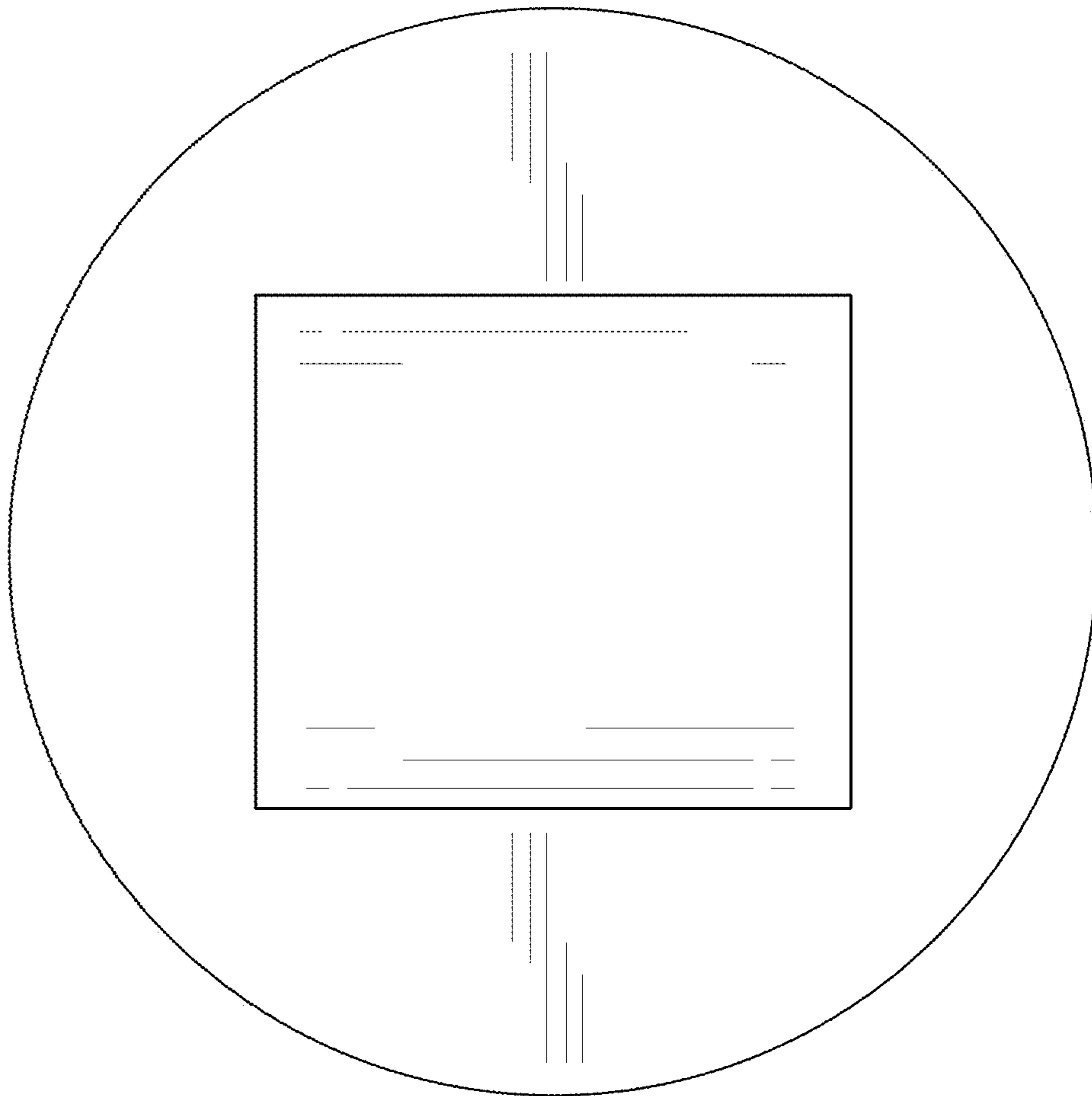


FIG.2

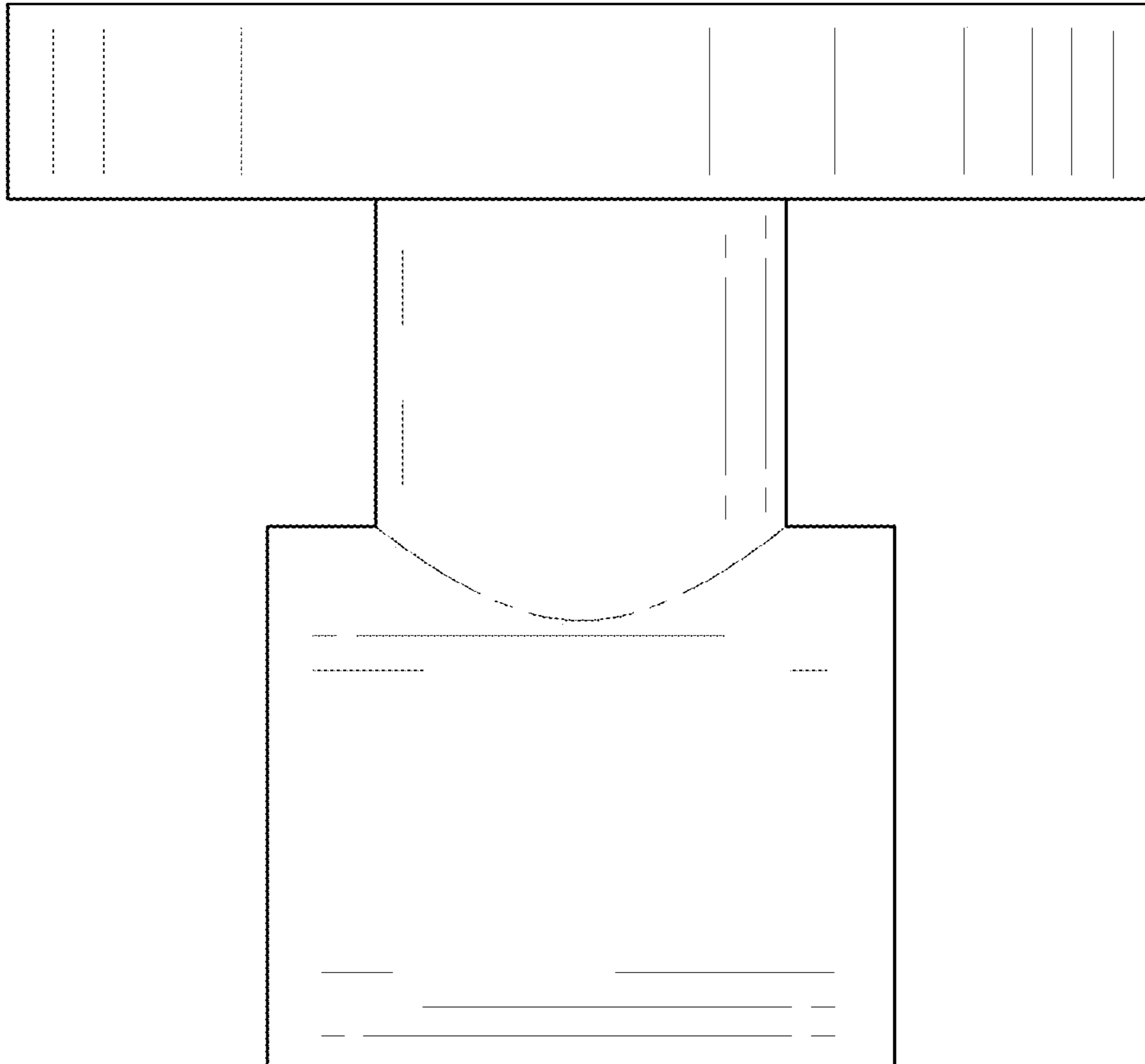


FIG. 3

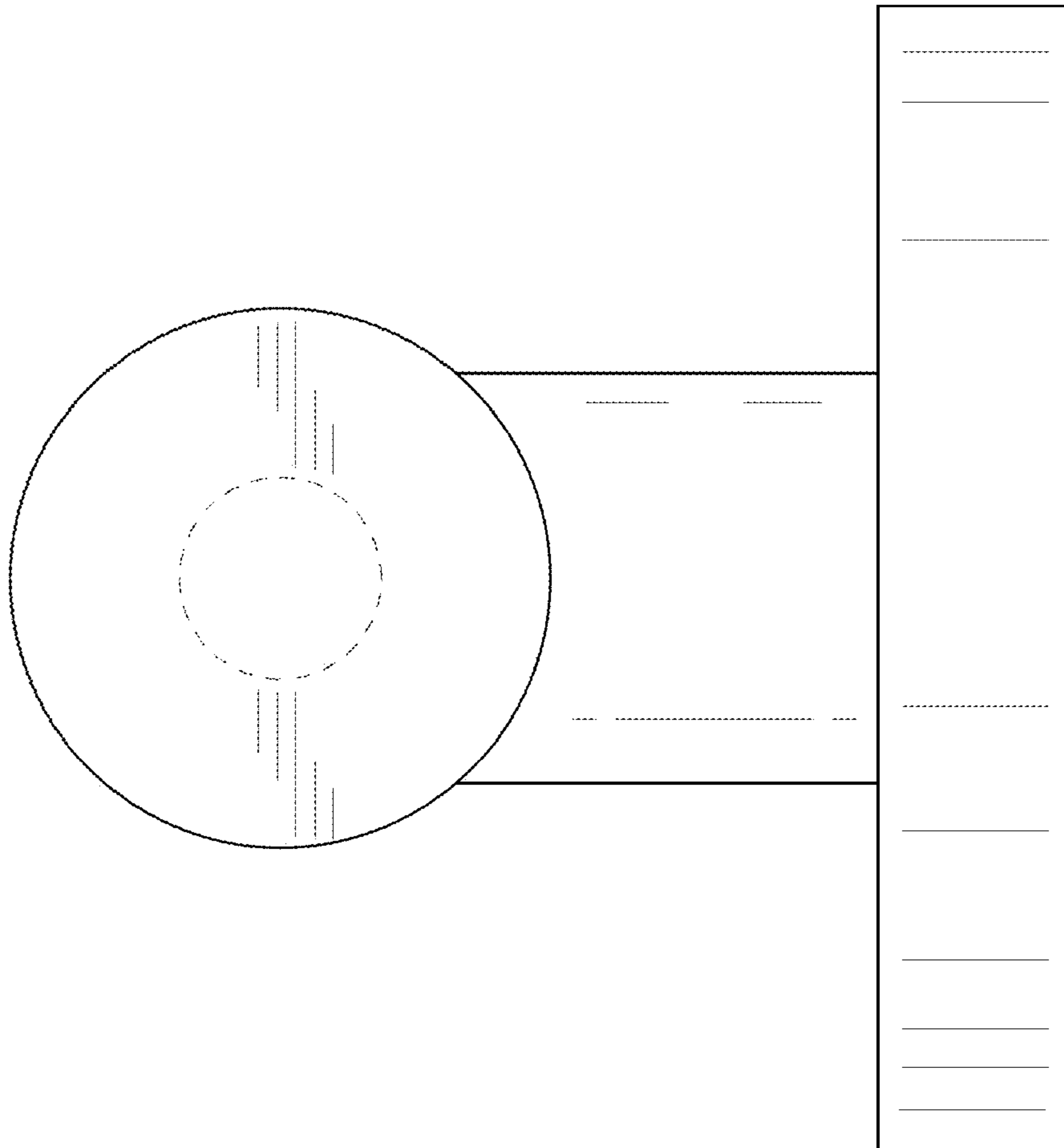


FIG. 4

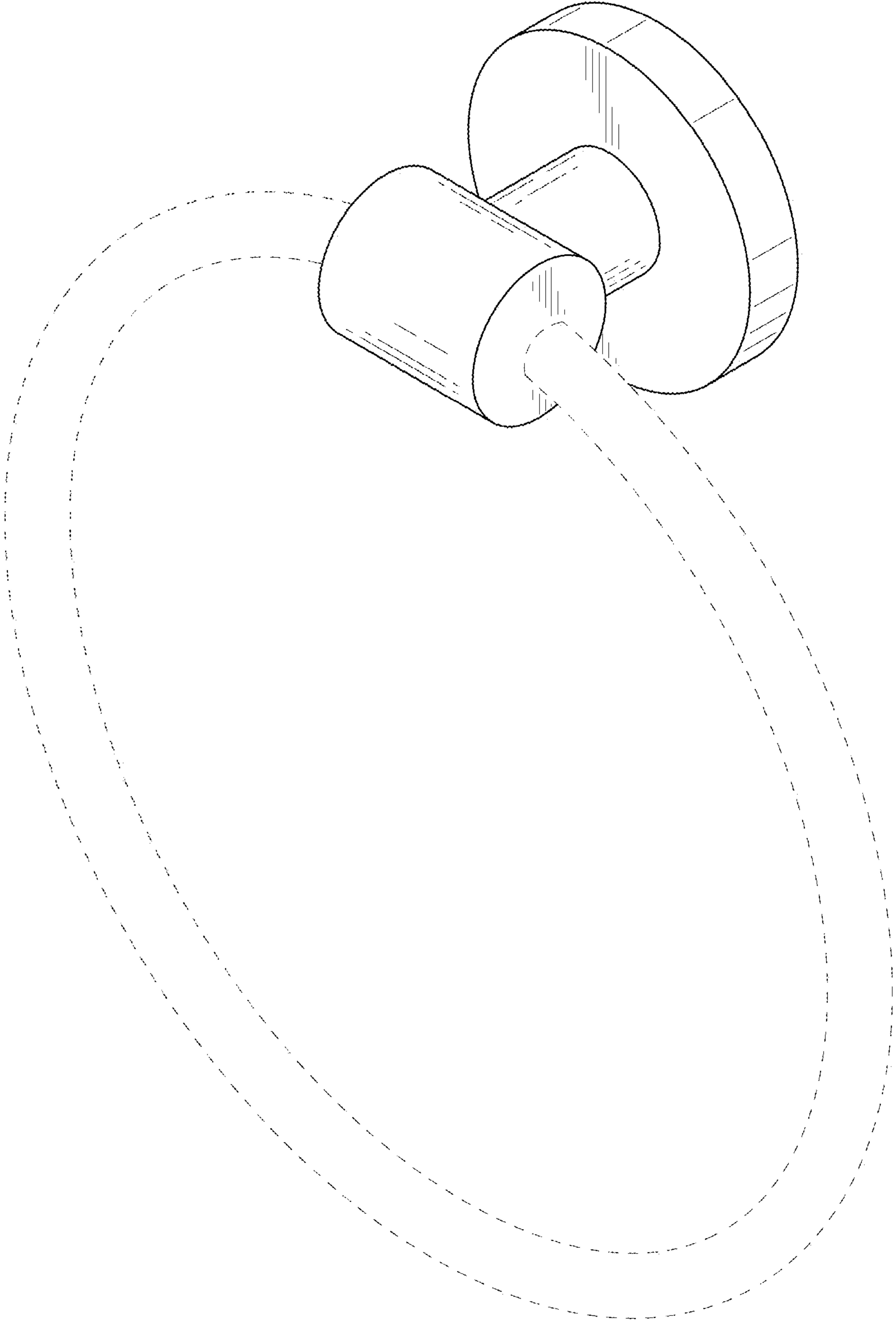


FIG. 5

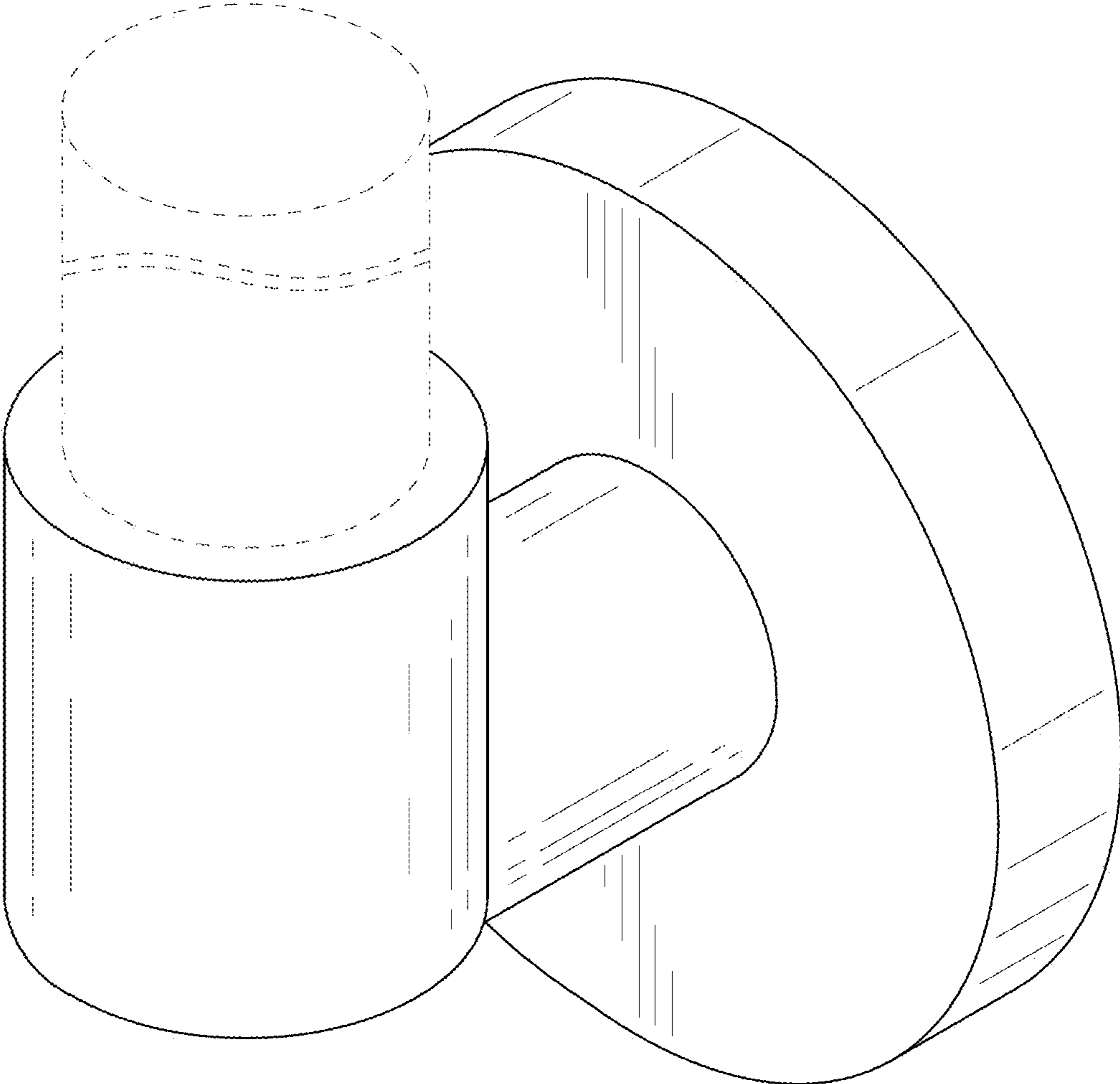


FIG. 6

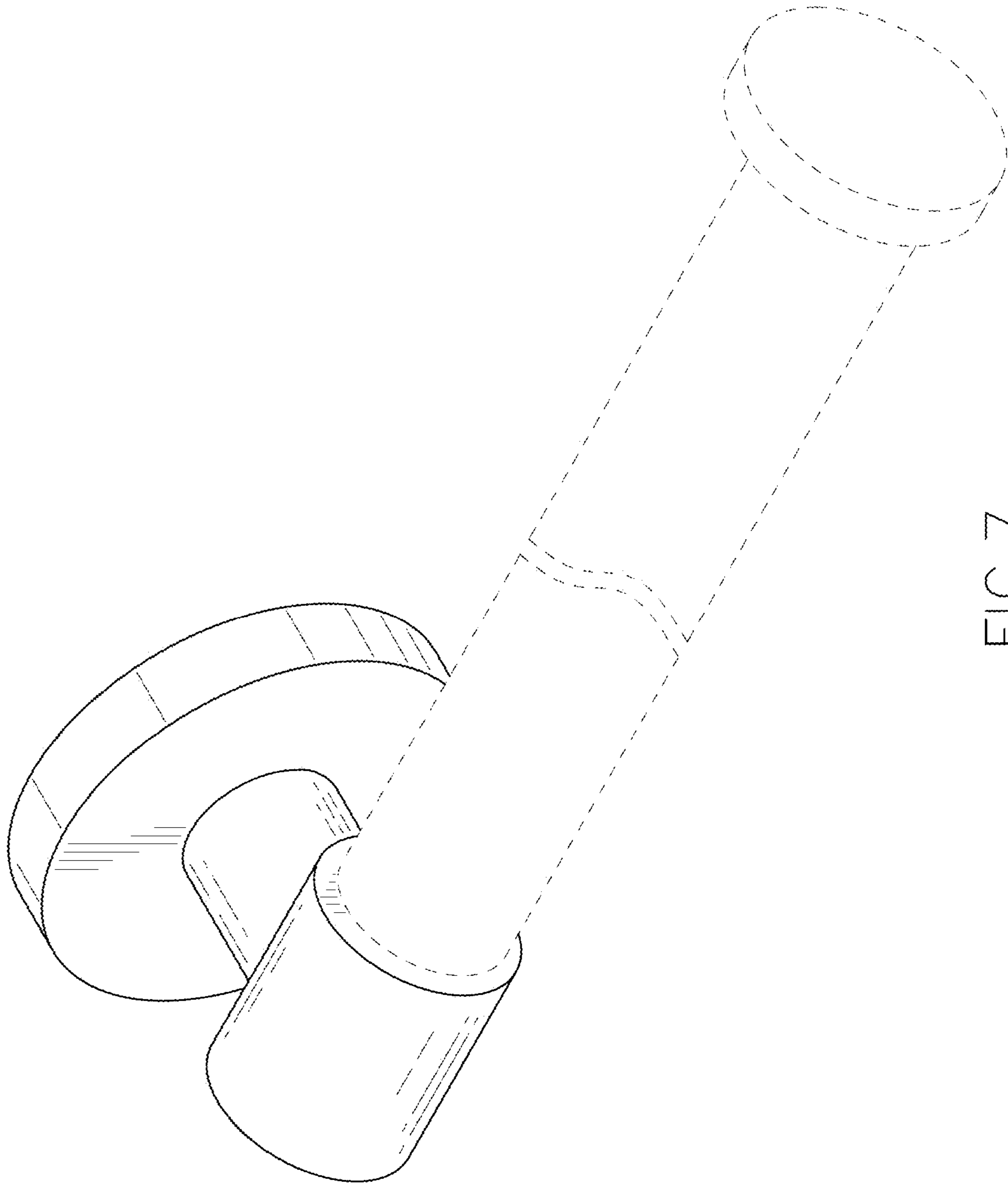


FIG. 7

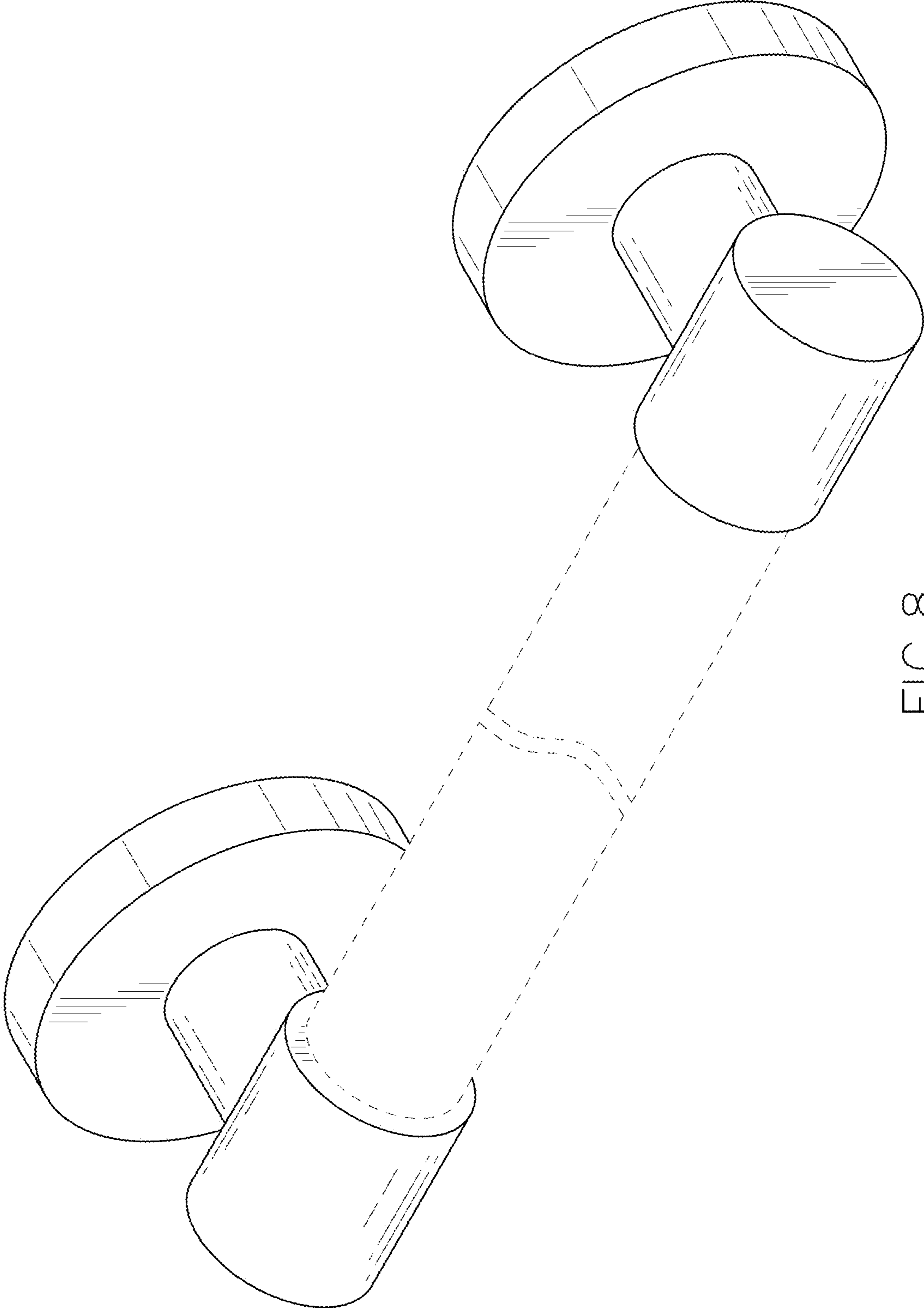


FIG. 8