



US00D911736S

(12) **United States Design Patent** (10) **Patent No.:** **US D911,736 S**
Lazarini et al. (45) **Date of Patent:** **** Mar. 2, 2021**

(54) **TISSUE HOLDER**
(71) Applicant: **DELTA FAUCET COMPANY,**
Indianapolis, IN (US)
(72) Inventors: **Alejandra Lazarini,** Carmel, IN (US);
Anthony G. Spangler, Indianapolis, IN
(US)
(73) Assignee: **DELTA FAUCET COMPANY,**
Indianapolis, IN (US)

D540,593 S *	4/2007	Hoernig	D6/523
D550,489 S *	9/2007	Williams	D6/523
D664,797 S *	8/2012	Kwok	D6/523
D683,987 S *	6/2013	Bickler	D6/523
D790,874 S *	7/2017	Eads	D6/523
D806,514 S *	1/2018	Singtoroj	D8/321
D806,524 S *	1/2018	Honein	D8/363
D811,535 S *	2/2018	Wieser	D23/239
D836,946 S *	1/2019	Rutgers	D6/549
D839,632 S *	2/2019	Downey	D6/546
D845,023 S *	4/2019	Garland	D6/523

* cited by examiner

(**) Term: **15 Years**

Primary Examiner — Nathan M Johnston

(21) Appl. No.: **29/715,935**

(74) *Attorney, Agent, or Firm* — Nirav D. Parikh; Edgar
A. Zarins

(22) Filed: **Dec. 5, 2019**

(51) **LOC (13) Cl.** **23-02**

(52) **U.S. Cl.**
USPC **D6/523**

(57) **CLAIM**

(58) **Field of Classification Search**
USPC D6/523, 546–550, 518–522; 211/13.1,
211/16, 60.1, 100, 86.01, 87.01, 88.1,
211/88.4, 105.1, 105.2, 123, 182, 181.1;
242/570, 290, 595–598; D8/300, 303,
D8/315, 321; 108/28–29; 16/110.1, 412,
16/415; 48/175, 176.1, 251, 302, 309.1
CPC A45F 2005/025; A45F 2005/027; A47K
2010/3253; A47K 10/22; A47K 10/3836;
A47K 10/16; A47K 10/3818; A47K
2010/3233; B60R 7/084
See application file for complete search history.

The ornamental design for a tissue holder, as shown and
described.

DESCRIPTION

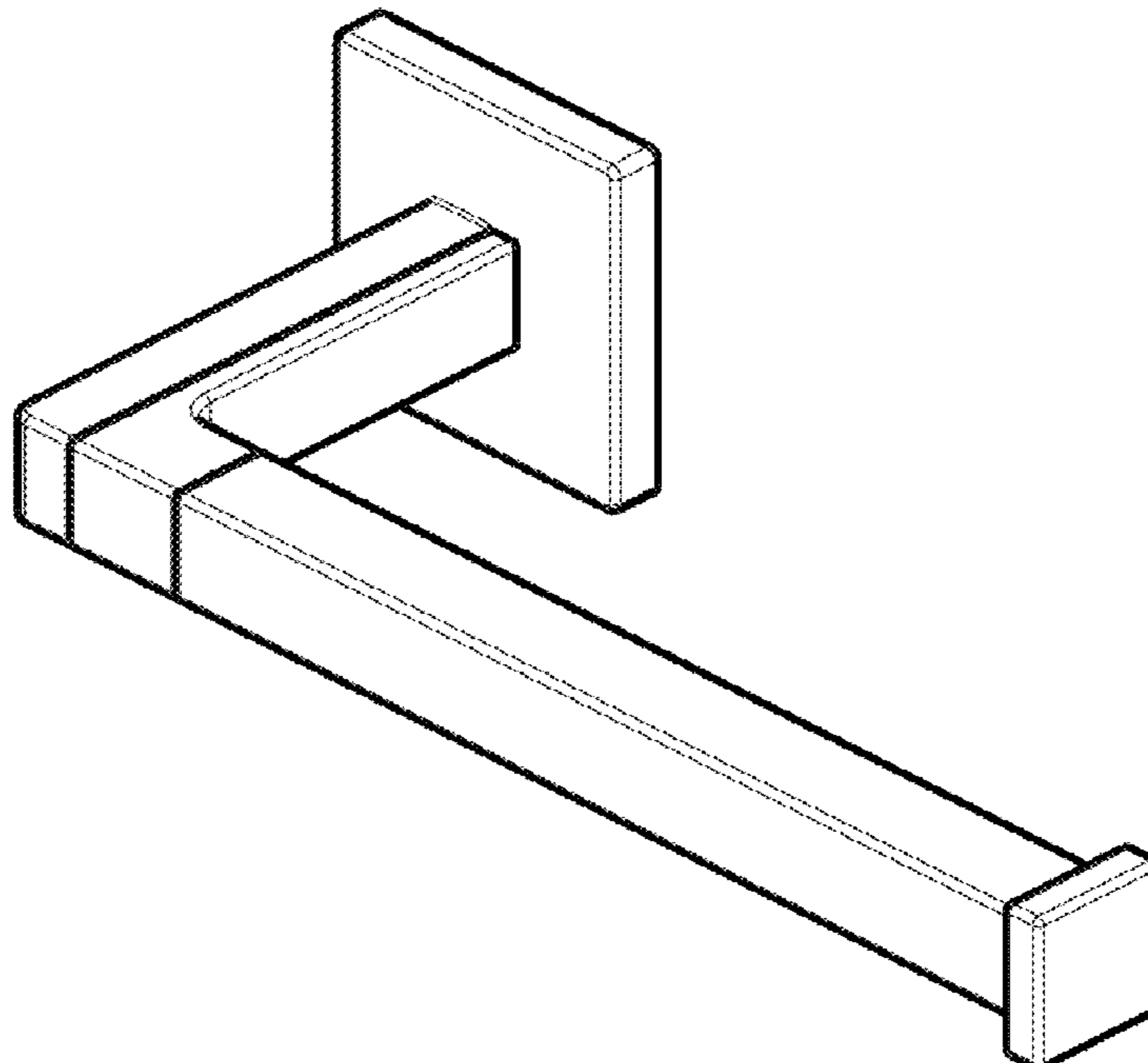
FIG. 1 is a front perspective view of a tissue holder showing
my new design;
FIG. 2 is a rear perspective view thereof;
FIG. 3 is a front elevational view thereof;
FIG. 4 is a left side view thereof;
FIG. 5 is a rear view thereof;
FIG. 6 is a right side view thereof;
FIG. 7 is a top plan view thereof; and,
FIG. 8 is a bottom view thereof.

(56) **References Cited**

U.S. PATENT DOCUMENTS

D520,788 S *	5/2006	Hoernig	D6/546
D522,295 S *	6/2006	Ferrer Beltran	D6/546

1 Claim, 4 Drawing Sheets



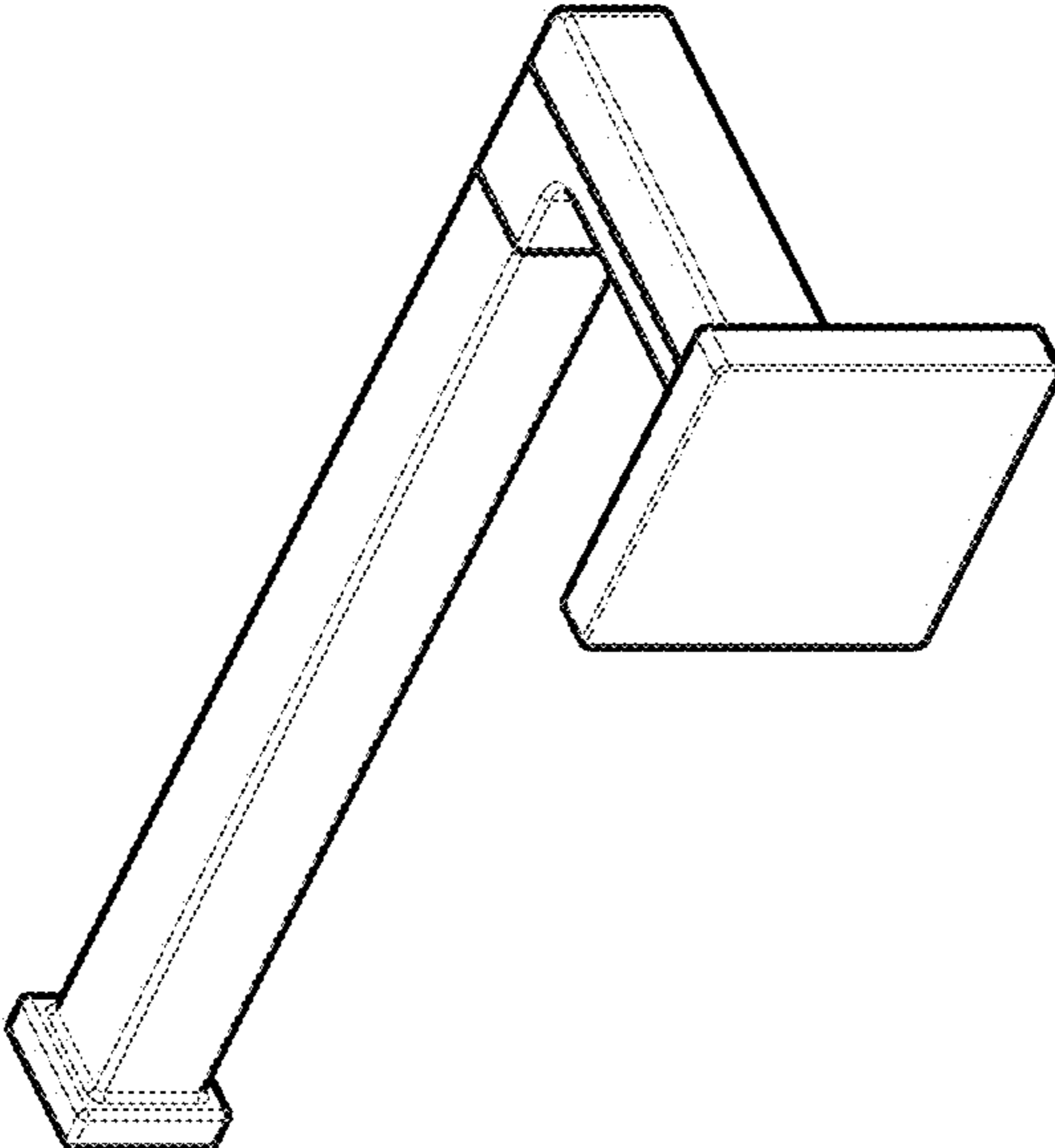


FIG-2

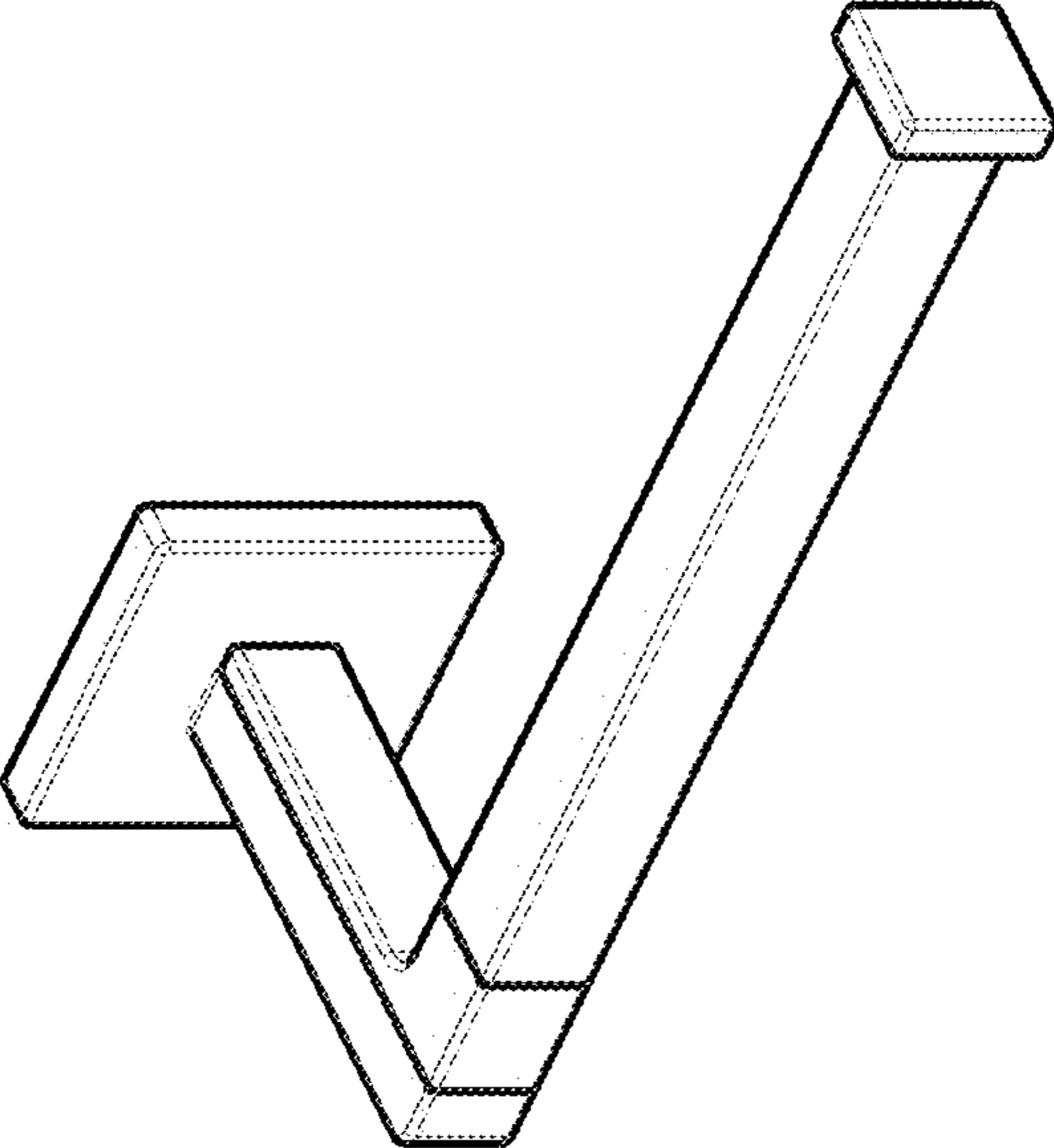


FIG-1

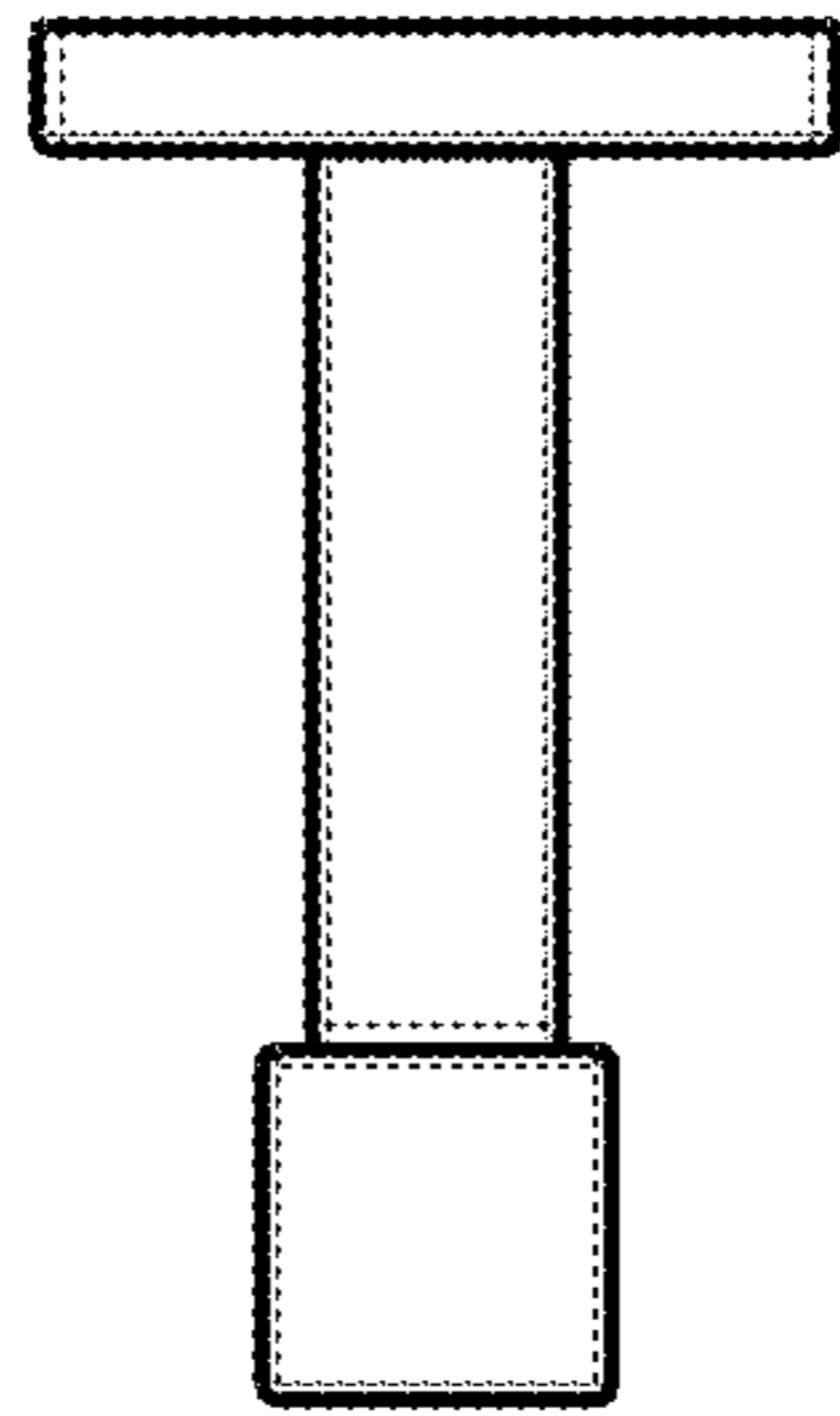


FIG-4

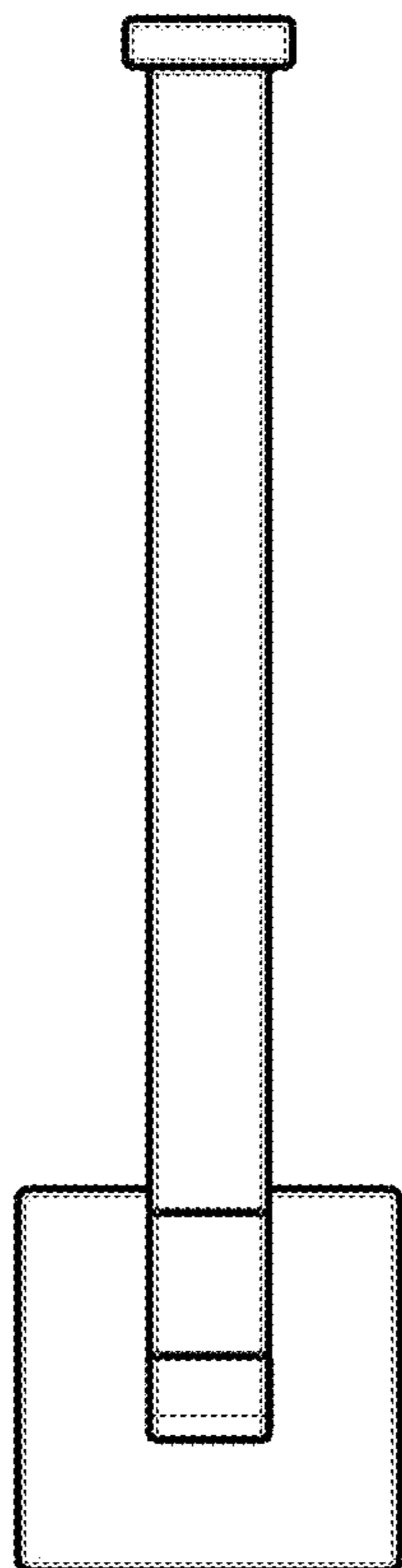


FIG-3

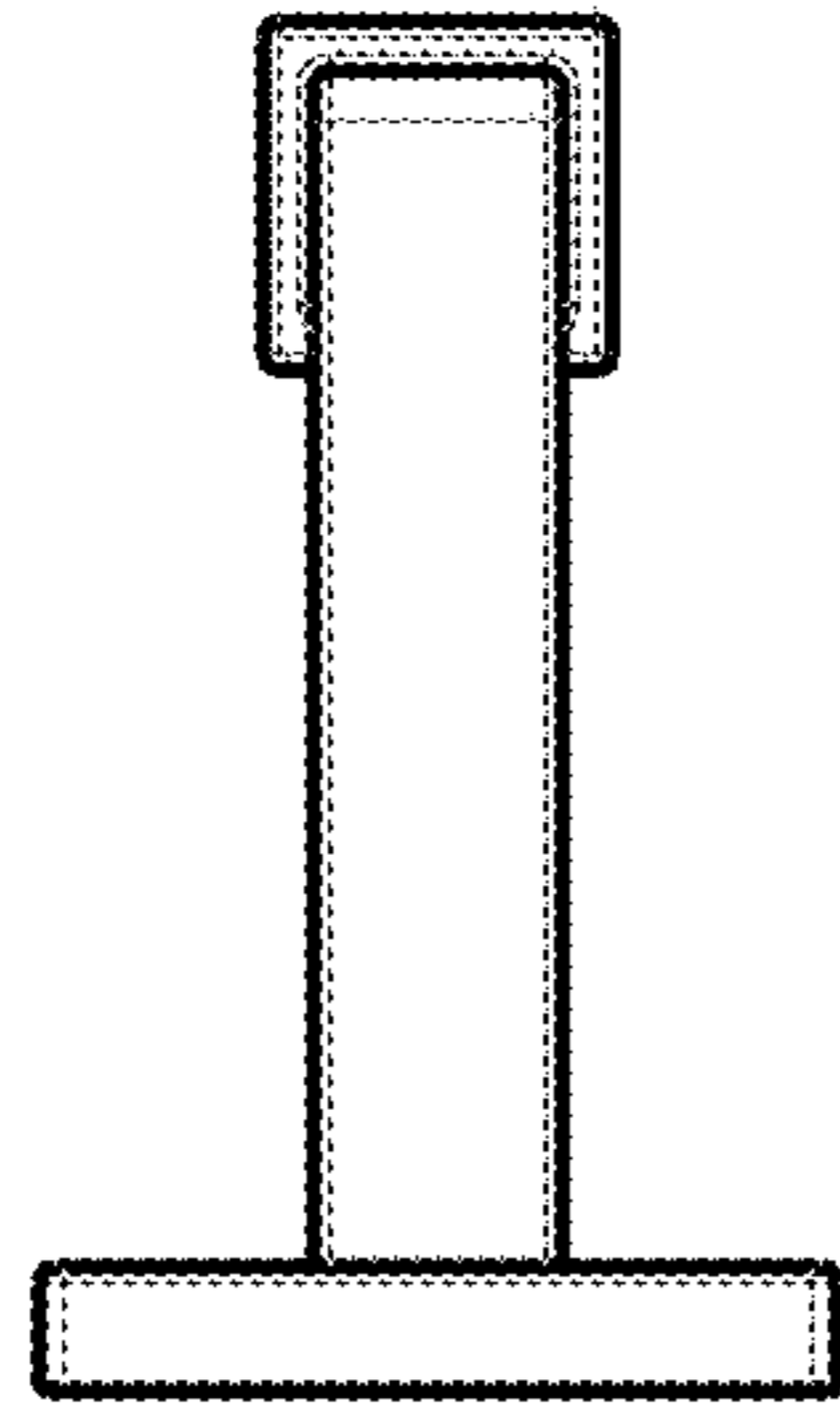


FIG-6

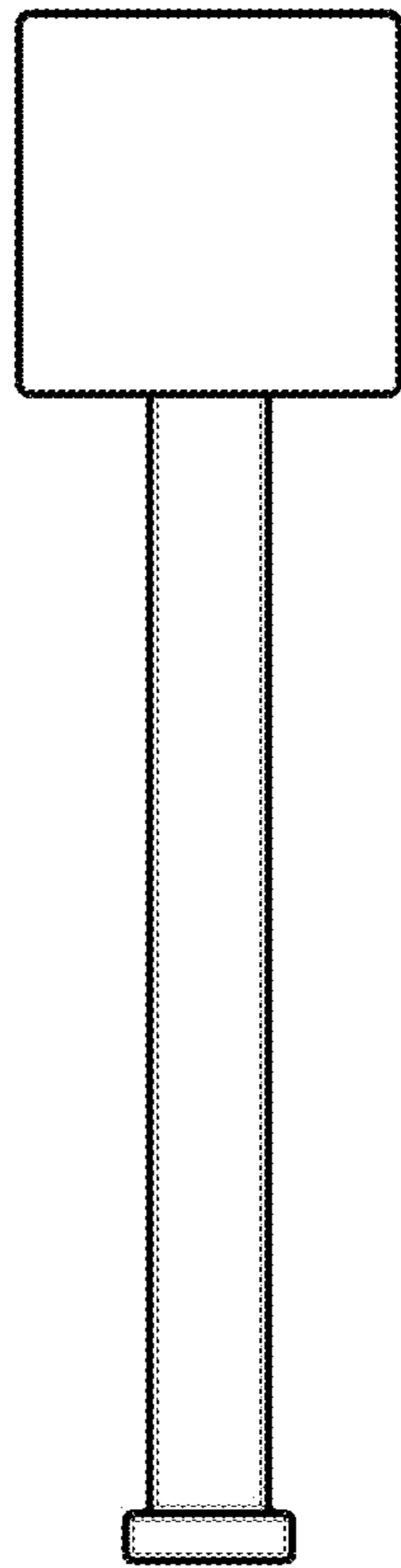


FIG-5

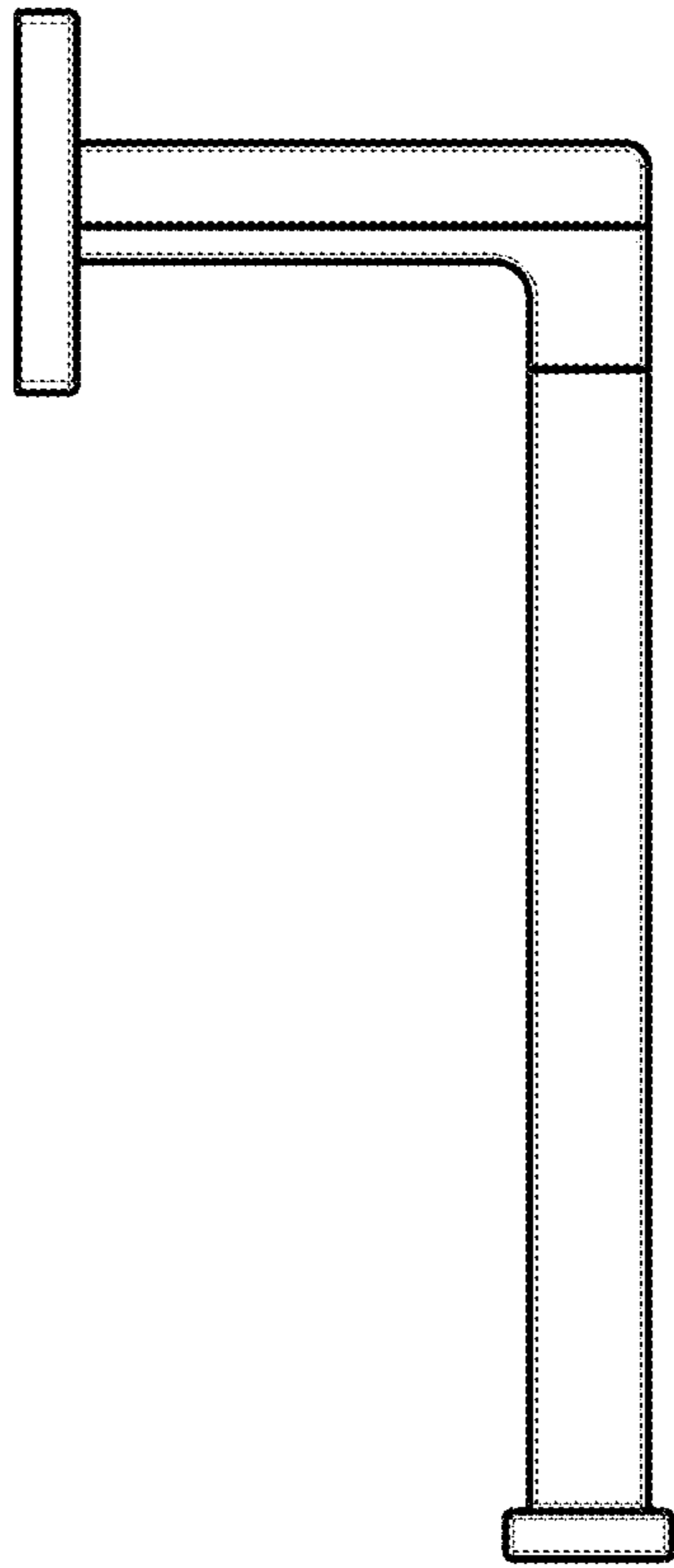


FIG-8

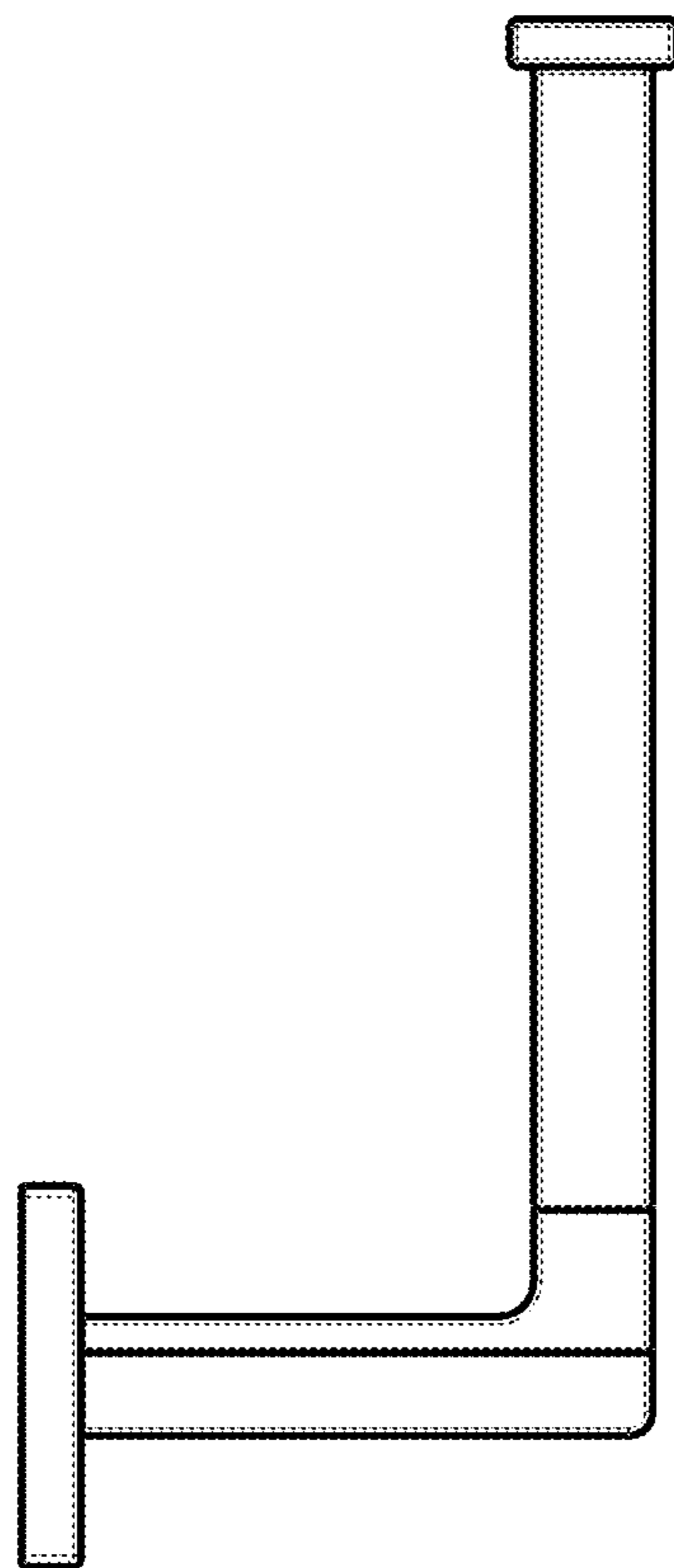


FIG-7