



US00D911733S

(12) **United States Design Patent** (10) **Patent No.:** **US D911,733 S**  
**Sullivan et al.** (45) **Date of Patent:** **\*\* \*Mar. 2, 2021**

(54) **PORTABLE CHAIR**

FOREIGN PATENT DOCUMENTS

(71) Applicant: **YETI Coolers, LLC**, Austin, TX (US)

BE 484542 A 9/2010  
CN 2102679 U 4/1992

(72) Inventors: **Derek G. Sullivan**, Austin, TX (US);  
**Andrew J. Winterhalter**, Austin, TX (US);  
**John W. Dow**, Austin, TX (US);  
**Donald Edward Desroches**, Austin, TX (US)

(Continued)

(73) Assignee: **YETI Coolers, LLC**, Austin, TX (US)

OTHER PUBLICATIONS

(\*) Notice: This patent is subject to a terminal disclaimer.

ALPHA CAMP, ALPHA CAMP Oversized Camping Folding Chair Heavy Duty Steel Frame, Date first available May 3, 2019, [online] retrieved Jun. 1, 2020, available from internet, www.amazon.com (Year: 2019).\*

(Continued)

(\*\*) Term: **15 Years**

*Primary Examiner* — Keli L Hill

*Assistant Examiner* — Sara S Sahneh

(21) Appl. No.: **29/676,769**

(74) *Attorney, Agent, or Firm* — Banner & Witcoff, Ltd.

(22) Filed: **Jan. 14, 2019**

(51) **LOC (13) Cl.** ..... **06-01**

(57) **CLAIM**

(52) **U.S. Cl.**  
USPC ..... **D6/375**; D6/368

The ornamental design for a portable chair, as shown and described.

(58) **Field of Classification Search**

**DESCRIPTION**

USPC ..... D6/329, 334, 367–376, 358–366, 353,  
D6/335–340, 352, 377–383, 392–395,  
D6/710–712, 716, 716.1, 716.2, 716.3,  
D6/708.24, 716.4, 716.5; 297/440.1,  
297/440.21, 452.14  
CPC .. A47C 11/00; A47C 4/02; A47C 4/03; A47C  
4/08; A47C 4/024; A47C 4/025; A47C  
4/028; A47C 5/04; A47C 7/16; A47C  
5/12; A47C 7/36; A47C 7/40; A47C  
9/007; A47C 13/023; A47C 5/08; A47C  
17/175; A47C 13/005; A47C 11/005;  
A47C 4/021;

FIG. 1 is a top, front, right perspective view of a portable chair showing our new design;  
FIG. 2 is a front view thereof;  
FIG. 3 is a rear view thereof;  
FIG. 4 is a right side view thereof;  
FIG. 5 is a left side view thereof;  
FIG. 6 is a top view thereof;  
FIG. 7 is a bottom view thereof;  
FIG. 8 is a folded front view of an alternative claimed configuration of a portable chair showing our new design thereof;  
FIG. 9 is a folded back view thereof; and,  
FIG. 10 is a folded left side view thereof.

(Continued)

The broken line shown are included is for the purpose of illustrating portions of the portable chair and forms no part of the claimed design.

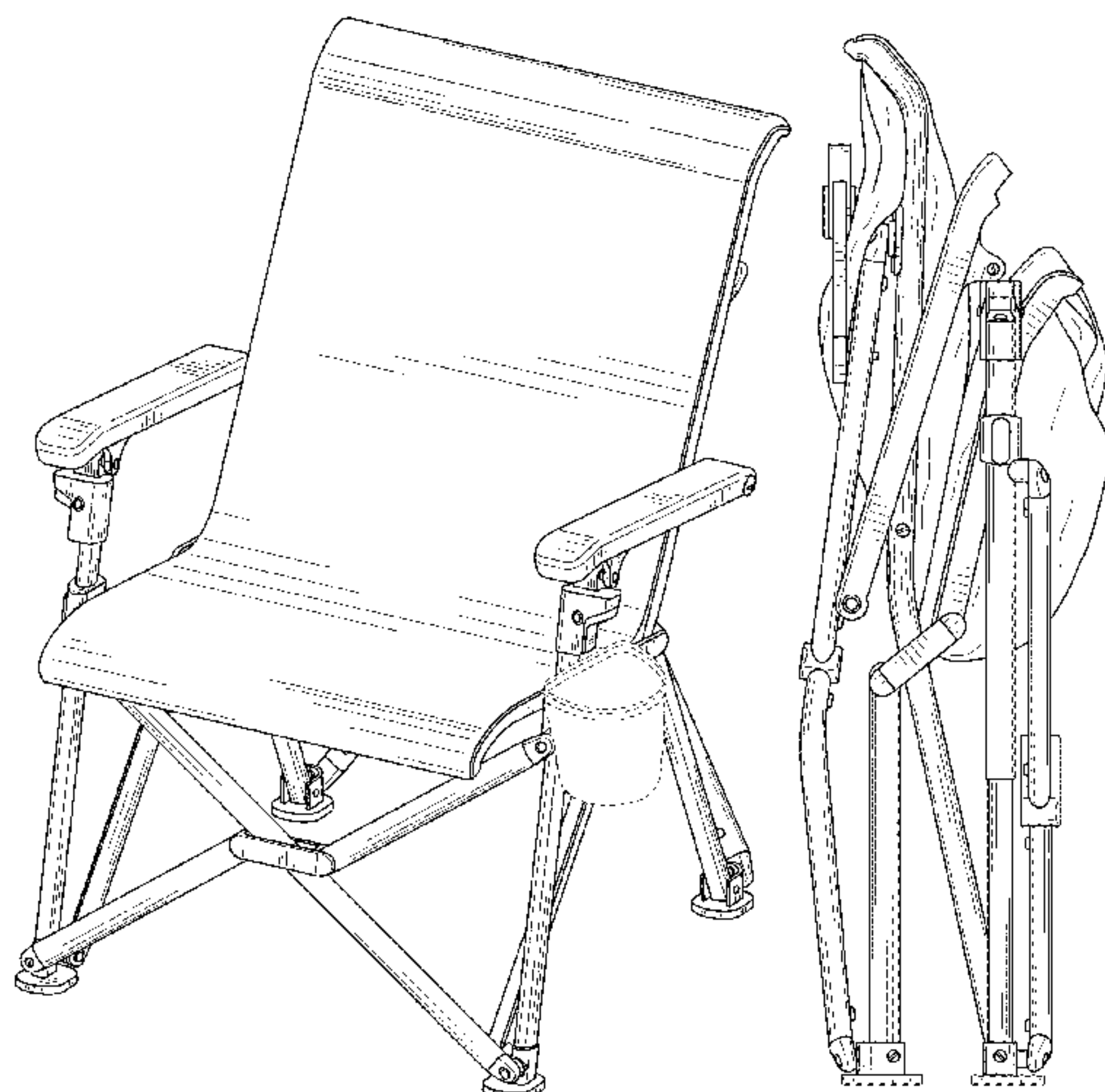
(56) **References Cited**

U.S. PATENT DOCUMENTS

2,088,644 A 8/1937 Erpelding et al.  
3,736,021 A 5/1973 MacLaren  
3,881,739 A 5/1975 Laune

(Continued)

**1 Claim, 10 Drawing Sheets**



(58) **Field of Classification Search**  
 CPC ..... A47C 4/286; A47C 1/14; A47B 47/0075;  
 A47B 3/06; F16B 5/0012  
 See application file for complete search history.

(56) **References Cited**

U.S. PATENT DOCUMENTS

4,029,279	A	6/1977	Nakatani	
4,077,641	A	3/1978	Perego et al.	
4,216,974	A	8/1980	Kassai	
4,232,897	A	11/1980	Maclaren et al.	
4,335,893	A	6/1982	Carmichael et al.	
4,545,599	A	10/1985	Kassai	
4,596,484	A	6/1986	Nakatani	
4,761,092	A	8/1988	Nakatani	
4,932,622	A	6/1990	Hayakawa	
5,058,950	A	10/1991	Mann	
5,348,415	A	9/1994	Carlsson	
5,769,447	A	6/1998	Huang	
5,775,352	A	7/1998	Obitts	
5,851,052	A	12/1998	Gustafsson	
5,863,061	A	1/1999	Ziegler et al.	
6,082,813	A	7/2000	Chen	
D431,382	S *	10/2000	Eloge .....	D6/368
D432,325	S *	10/2000	Zheng .....	D6/368
6,247,749	B1	6/2001	Yu	
6,270,156	B1	8/2001	Metzger et al.	
6,371,553	B1	4/2002	Tang	
6,402,230	B1	6/2002	Tang	
6,419,311	B1	7/2002	Tang	
6,471,287	B1	10/2002	Liu	
6,536,723	B1	3/2003	Nakatani	
6,598,841	B2	7/2003	Erickson et al.	
6,601,912	B1 *	8/2003	Chen .....	A47C 4/286 297/38
6,629,722	B1	10/2003	Tang	
6,644,731	B2	11/2003	Tang	
D500,605	S *	1/2005	Schmidt .....	D6/336
6,840,574	B1	1/2005	Wu	
6,908,249	B2	6/2005	Tomm	
6,913,231	B2	7/2005	Speggiorin	
7,017,985	B2	3/2006	Chen	
7,100,975	B1	9/2006	Zheng	
D532,621	S *	11/2006	Lin .....	D6/368
7,500,715	B1	3/2009	Chen	
7,641,276	B1	1/2010	Chen	
8,100,429	B2	1/2012	Longenecker et al.	
8,104,838	B2	1/2012	Tsai	
8,251,442	B2	8/2012	Grace	
8,459,741	B2	6/2013	Mazzola et al.	
8,678,490	B2	3/2014	Chen	
8,696,052	B2	4/2014	Zhu	
8,714,643	B2	5/2014	Obolewicz et al.	
8,727,655	B2	5/2014	Lu et al.	
8,820,825	B2	9/2014	Yang	
8,864,222	B2	10/2014	Grace	
8,979,192	B2	3/2015	Miller	
9,095,216	B2	8/2015	Miller	
9,451,829	B2	9/2016	Chen	
D806,423	S *	1/2018	Silva .....	D6/368
9,913,537	B2	3/2018	Piretti	
9,974,388	B1	5/2018	Lv	
9,993,082	B2	6/2018	Choi	
9,993,083	B2	6/2018	Choi	
10,104,971	B1	10/2018	Yang	
10,292,503	B2	5/2019	Brown	
D855,343	S *	8/2019	Haingaertner .....	D6/368
2003/0025360	A1	2/2003	Liu	
2003/0025361	A1	2/2003	Liu	
2006/0186712	A1	8/2006	Lu et al.	

2007/0228780	A1	10/2007	Grace	
2009/0146468	A1	6/2009	Schneider	
2009/0174230	A1	7/2009	Chen	
2010/0171342	A1	7/2010	Chen	
2010/0295338	A1	11/2010	Crowe	
2010/0314914	A1	12/2010	Mazzola et al.	
2011/0169305	A1	7/2011	Ayre et al.	
2014/0097647	A1	4/2014	Grace	
2014/0217784	A1	8/2014	Chen	
2014/0306493	A1	10/2014	Obolewicz et al.	
2016/0081479	A1	3/2016	Lin	
2016/0100688	A1	4/2016	Grace	
2016/0135600	A1	5/2016	Chen	
2017/0202355	A1	7/2017	Reed	
2019/0090667	A1	3/2019	Mason et al.	
2019/0104850	A1 *	4/2019	Frankel .....	A47C 4/286
2019/0216222	A1 *	7/2019	Winterhalter .....	A47C 4/42
2019/0298066	A1 *	10/2019	Zhu .....	A47C 4/30

FOREIGN PATENT DOCUMENTS

CN	201001527	Y	1/2008
CN	201492050	U	6/2010
CN	301297394		8/2010
CN	301800654		1/2012
CN	202236165	U	5/2012
CN	202515069	U	11/2012
CN	202858412	U	4/2013
CN	302684929	*	7/2013
CN	104643681	A	5/2015
CN	303763101	*	3/2016
CN	105615364	A	6/2016
CN	106617546	A	5/2017
CN	107348734	A	11/2017
CN	304803670	*	2/2018
CN	207349221	U	5/2018
CN	207421059	U	5/2018
CN	207653880	U	7/2018
CN	305151099	*	9/2018
CN	208708874	U	4/2019
CN	305730506	*	11/2019
EP	2108284	A1	10/2009
EP	2123198	A1	11/2009
EP	2674629	A2	12/2013
ES	279347	A1	1/1963
JP	2010099238	A	5/2010
JP	D1550241		5/2019
JP	D1550242		5/2019
KR	300686541.0000	*	2/2012
KR	20170099158	A	8/2017
KR	300993886.0000	*	3/2018
KR	300993887.0000		2/2019
NL	1001847	C1	6/1997
WO	0040122	A1	7/2000
WO	13029089	A1	3/2013
WO	2016150254	A1	9/2016
WO	17133369	A1	8/2017

OTHER PUBLICATIONS

FUNDANGO,FUNDANGO Lumbar Support Strong Stable Heavy Duty Folding Deluxe Camping Chair, [online]retrieved Jun. 1, 2020, available from internet, www.amazon.com (Year: 2020).\*  
 YETI, Trailhead Camp Chair, [online]retrieved Jun. 4, 2020, available from internet, https://www.fieldandstreamshop.com/p/yeti-trailhead-camp-chair-20yetutrlhdcmpchrec/20yetutrlhdcmpchrec (Year: 2020).\*  
 Mar. 21, 2019—(PCT) International Search Report and Written Opinion—App PCT/US2019/013511.

\* cited by examiner



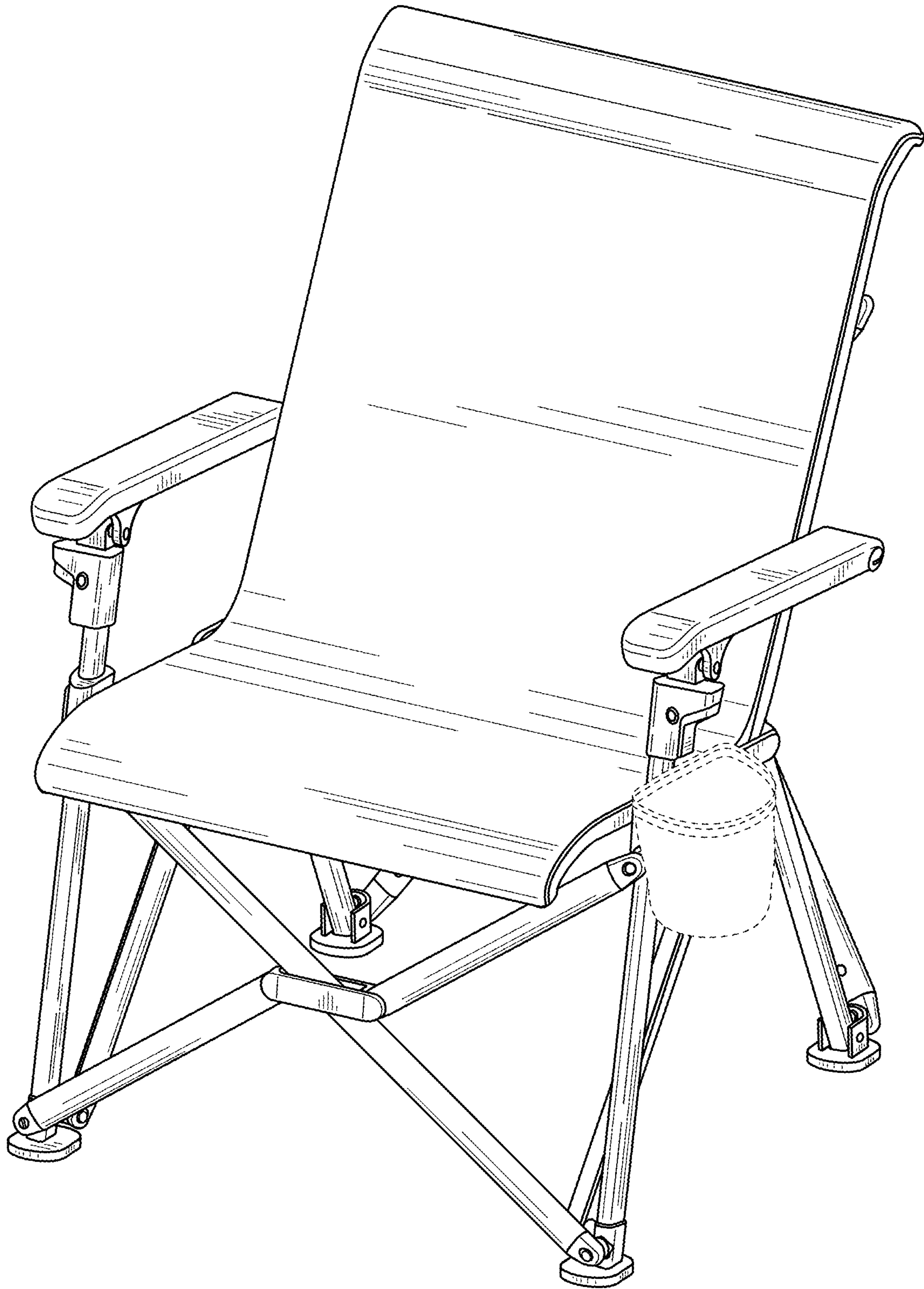


FIG. 1

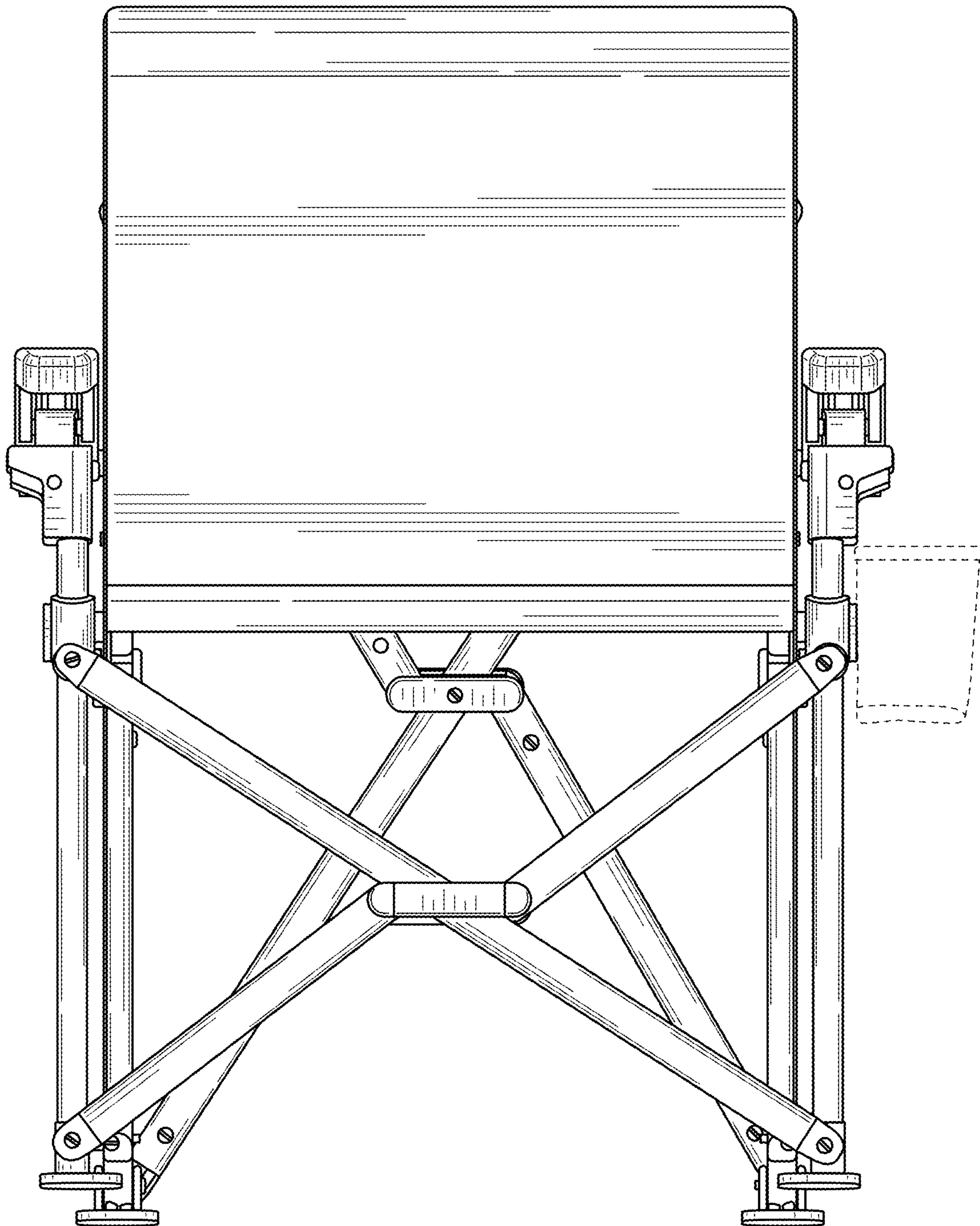


FIG. 2

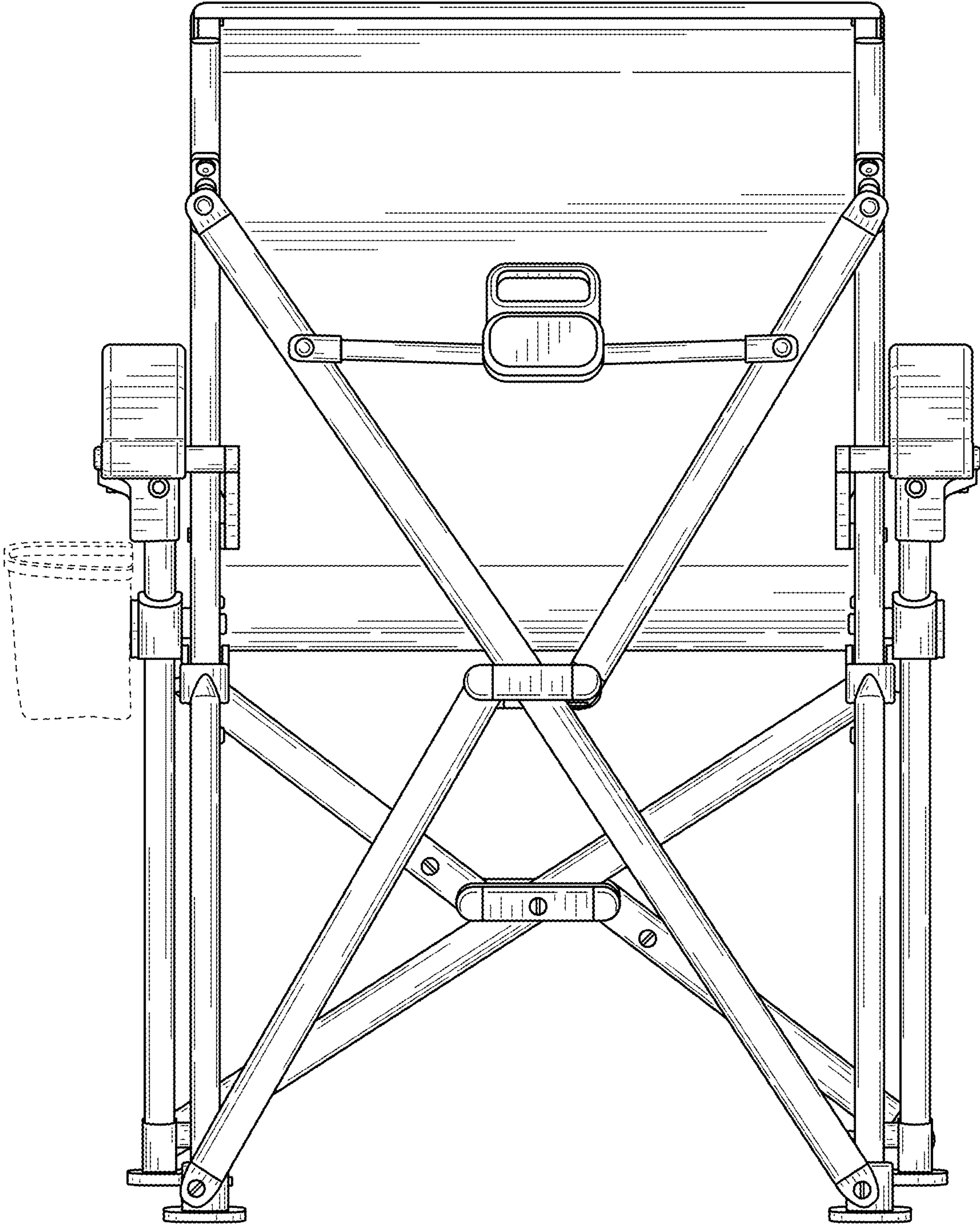


FIG. 3



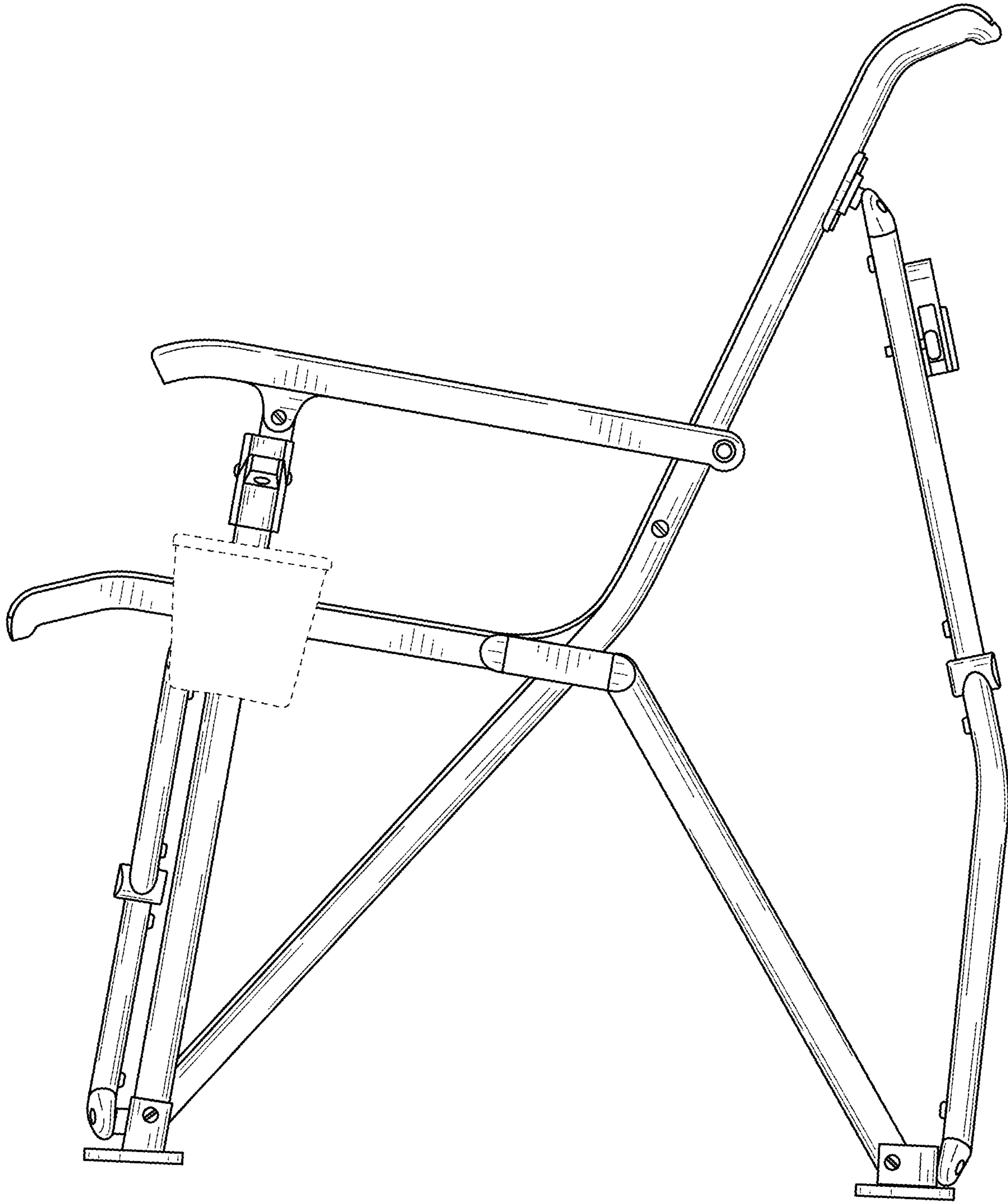


FIG. 4

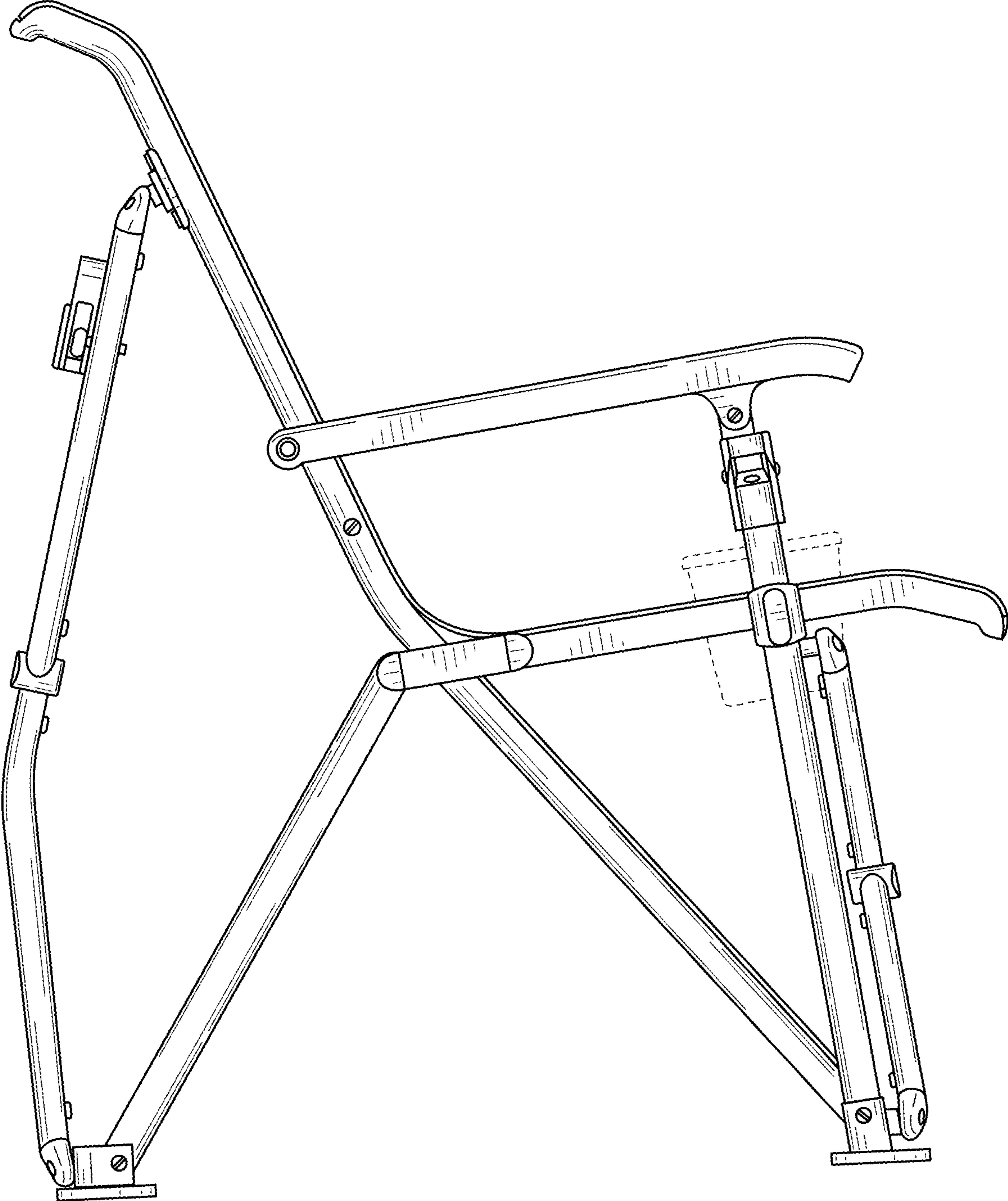


FIG. 5

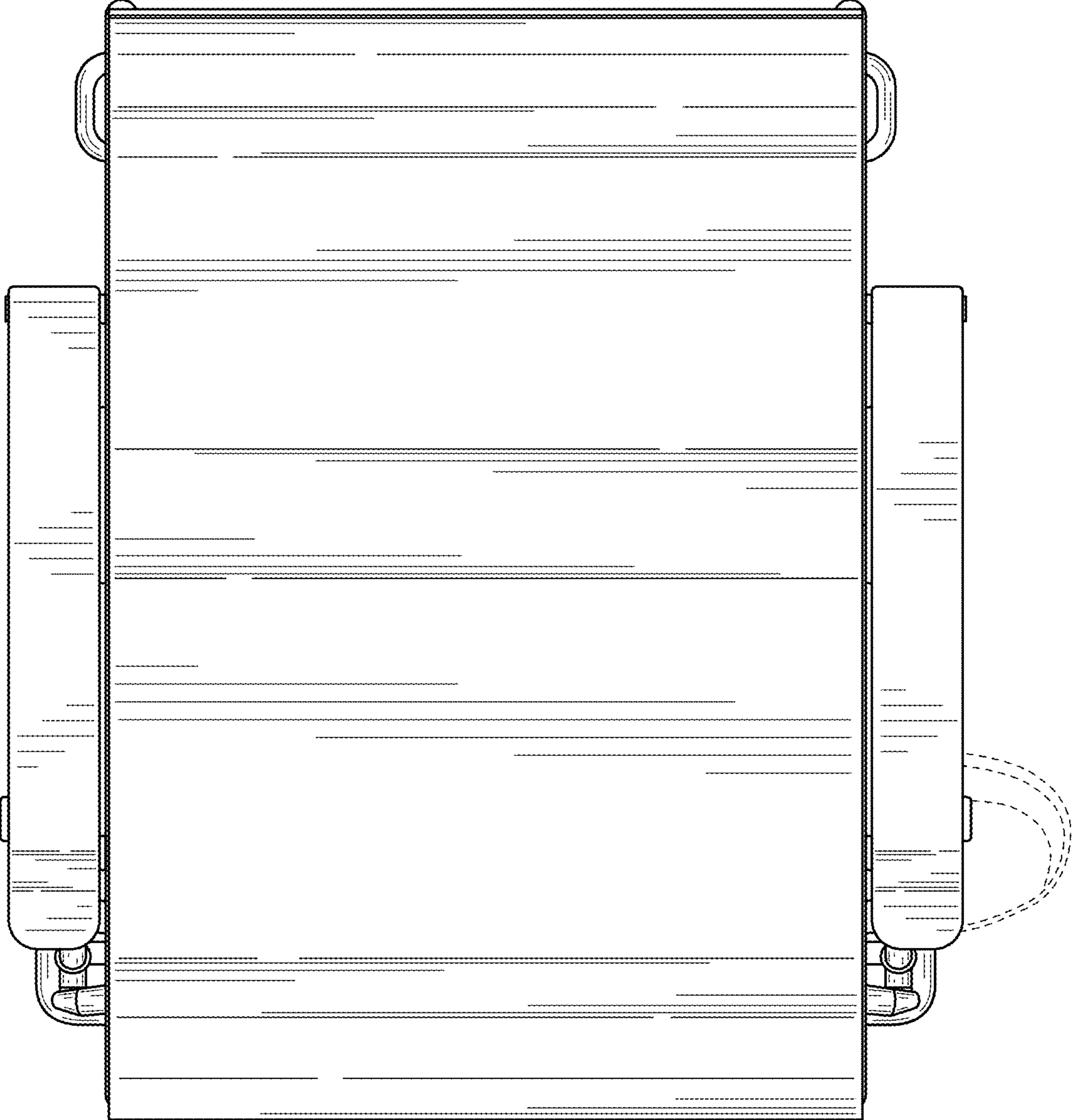


FIG. 6



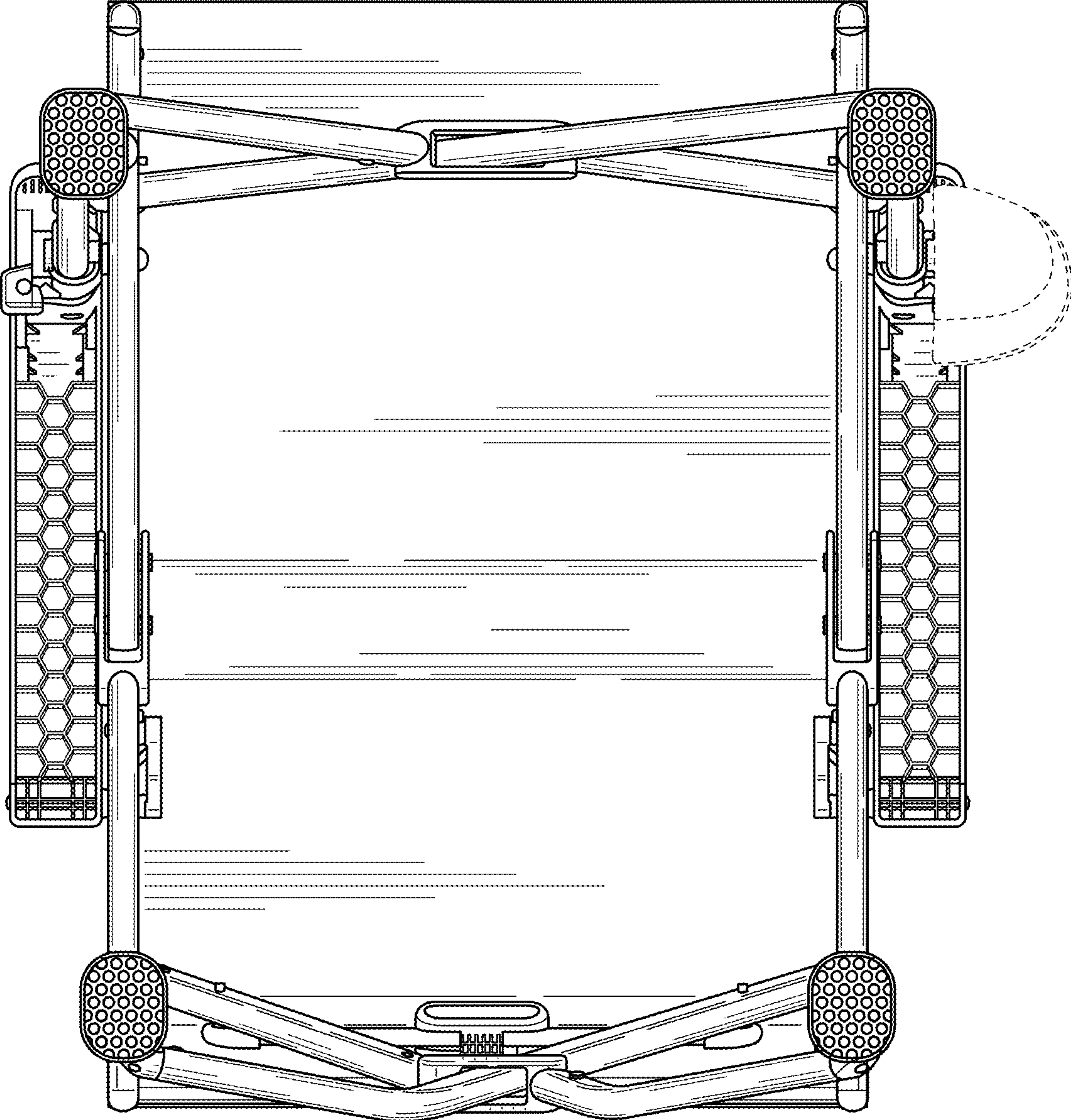


FIG. 7

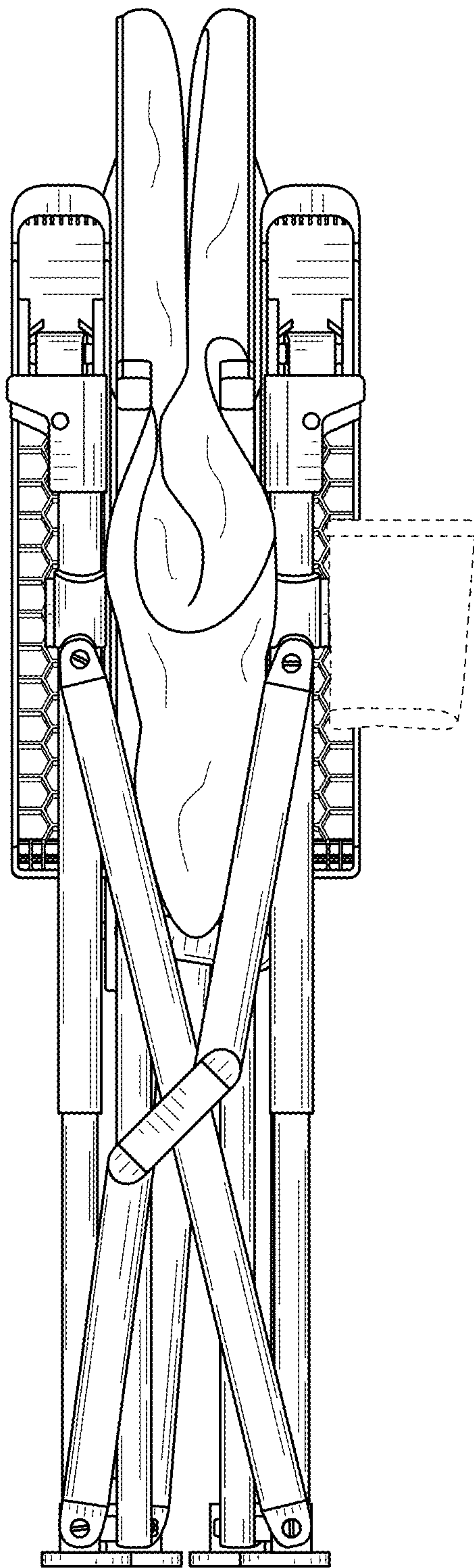


FIG. 8

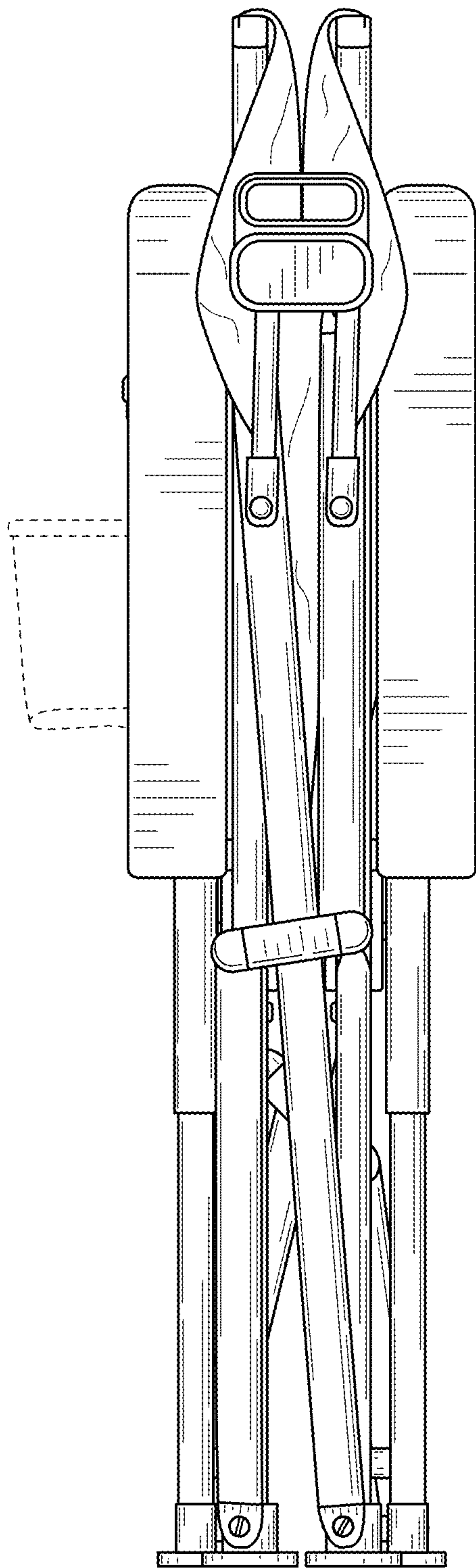


FIG. 9



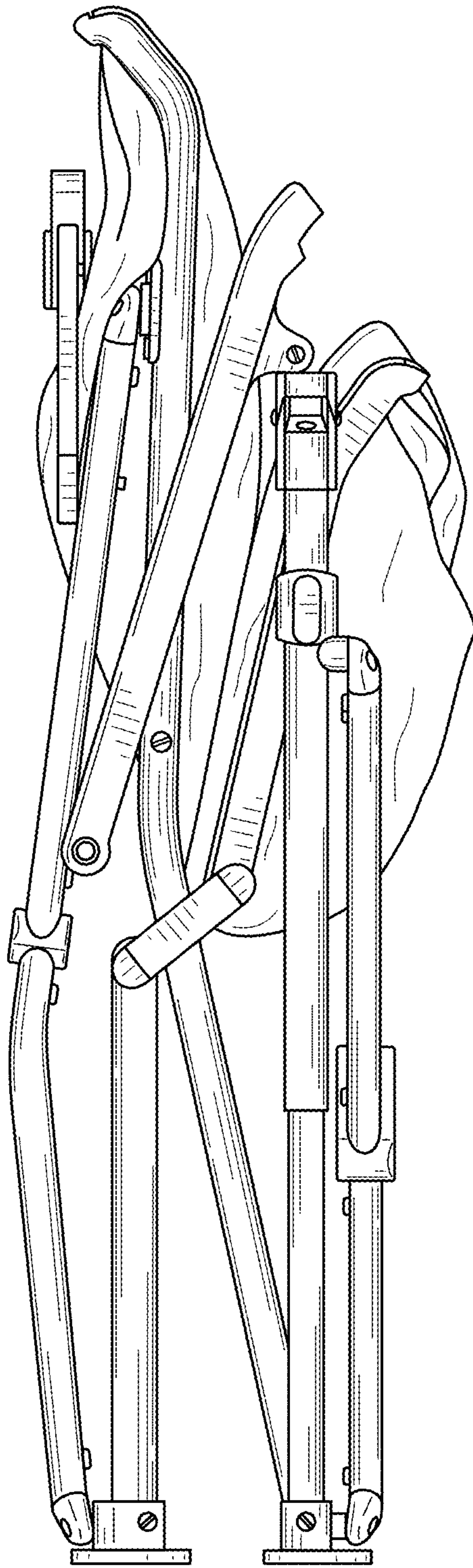


FIG. 10