



US00D911732S

(12) **United States Design Patent** (10) **Patent No.:** **US D911,732 S**
Hathorn (45) **Date of Patent:** **** *Mar. 2, 2021**

- (54) **EASY CHAIR**
- (71) Applicant: **Pineapple Contracts Unlimited, Kent (GB)**
- (72) Inventor: **Charles Hathorn, Kent (GB)**
- (73) Assignee: **Pineapple Contracts Unlimited, Kent (GB)**
- (*) Notice: This patent is subject to a terminal disclaimer.
- (**) Term: **15 Years**

D299,293 S *	1/1989	Nelson	D6/372
D383,009 S *	9/1997	Piretti	D6/372
D521,757 S *	5/2006	Glass	D6/372
D544,229 S *	6/2007	Bartlmae	D6/374
D618,470 S *	6/2010	Merkle	D6/372
D637,830 S *	5/2011	Li	D6/372
D726,430 S *	4/2015	Harms	D6/372
D731,196 S *	6/2015	Jiang	D6/372
D810,450 S *	2/2018	Zalaba	D6/334
D854,847 S *	7/2019	Ho	D6/369
D854,848 S *	7/2019	Palomba	D6/374
D859,864 S *	9/2019	Lievore	D6/364
D866,211 S *	11/2019	Morrison	D6/372
D866,999 S *	11/2019	Koldova	D6/349
D892,513 S *	8/2020	Rashid	D6/372

* cited by examiner

- (21) Appl. No.: **29/662,401**
- (22) Filed: **Sep. 5, 2018**
- (51) **LOC (13) Cl.** **06-01**
- (52) **U.S. Cl.**
USPC **D6/372**
- (58) **Field of Classification Search**
USPC D6/334, 341, 349, 350, 352, 353, 360,
D6/364, 369, 373, 374, 375, 380, 677,
D6/692, 700, 708, 708.16, 716, 372
CPC A47C 3/34; A47C 7/506; A47C 9/007;
A47C 13/023; A47C 4/028; A47C 4/02
See application file for complete search history.

Primary Examiner — Kevin K Rudzinski
Assistant Examiner — Paul D Bohannon
(74) *Attorney, Agent, or Firm* — Steve Zemanick

(57) **CLAIM**

The ornamental design for an easy chair, as shown and described.

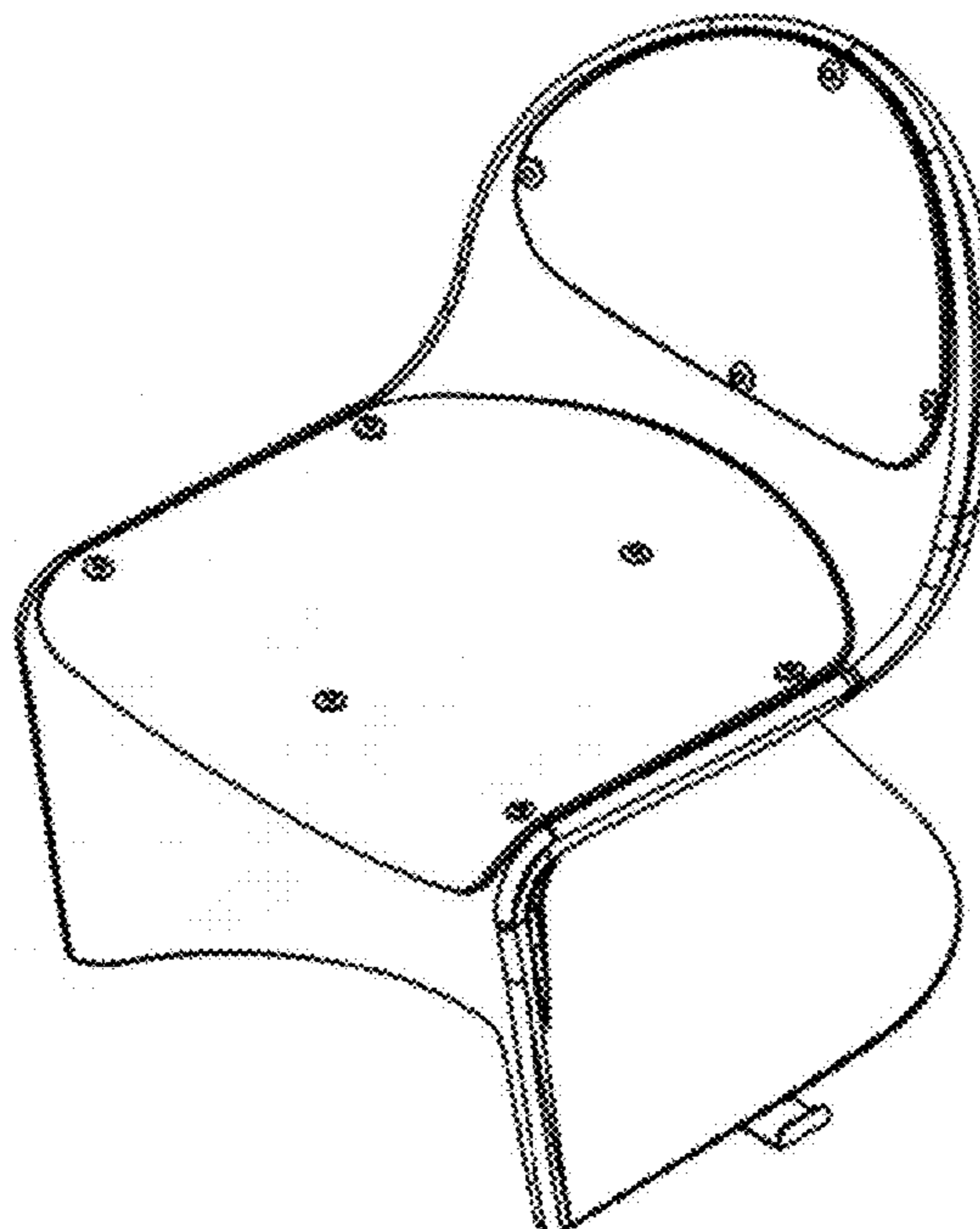
DESCRIPTION

FIG. 1 is a perspective view of the easy chair showing my new design;
FIG. 2 is a side view of the easy chair of FIG. 1;
FIG. 3 is a front view of the easy chair of FIG. 1;
FIG. 4 is a top view of the easy chair of FIG. 1; and,
FIG. 5 is a bottom view of the easy chair of FIG. 1;
FIG. 2 is representative of both sides of the easy chair of FIG. 1.

The broken lines shown in the drawings are included for the purpose of illustrating portions of the article and form no part of the claimed design.

1 Claim, 5 Drawing Sheets

- (56) **References Cited**
U.S. PATENT DOCUMENTS
D87,965 S * 10/1932 Lebeck D6/359
D137,904 S * 5/1944 Dieter D6/372
D230,670 S * 3/1974 Begge D6/372
D235,286 S * 6/1975 Martinelli D6/372
D244,108 S * 4/1977 Bacon D6/349
D249,762 S * 10/1978 Koepke D6/373



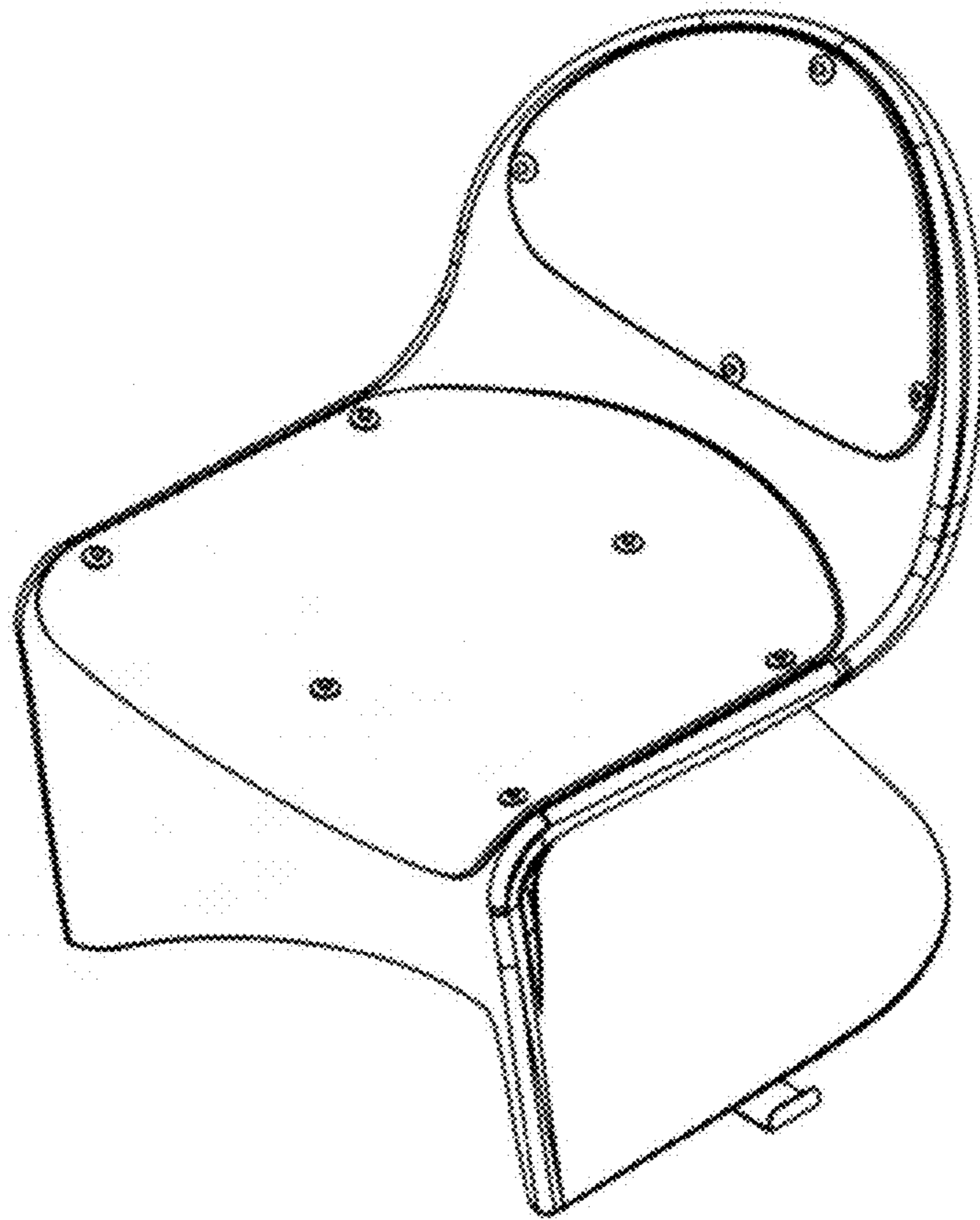


FIG. 1

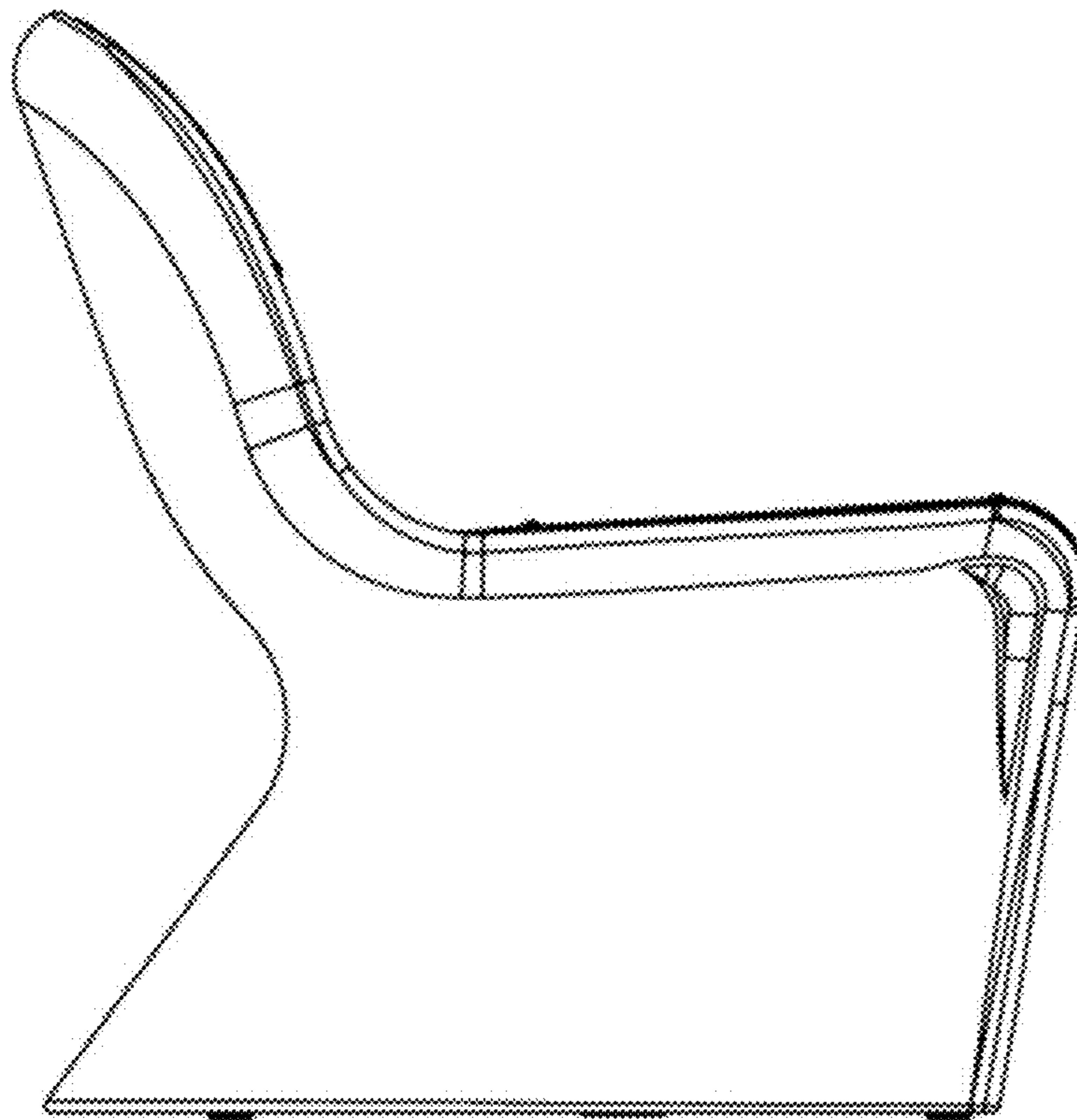


FIG. 2

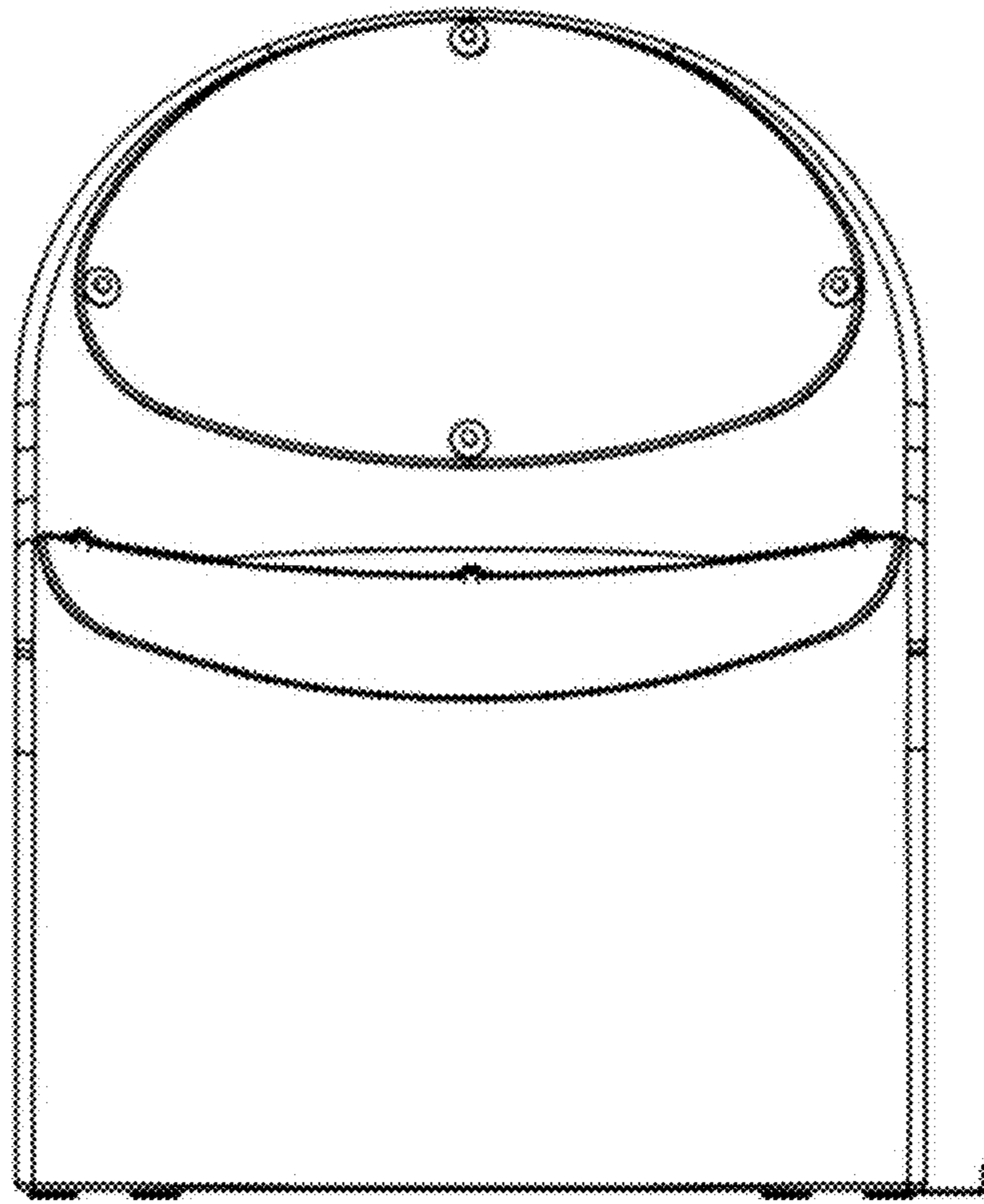


FIG. 3

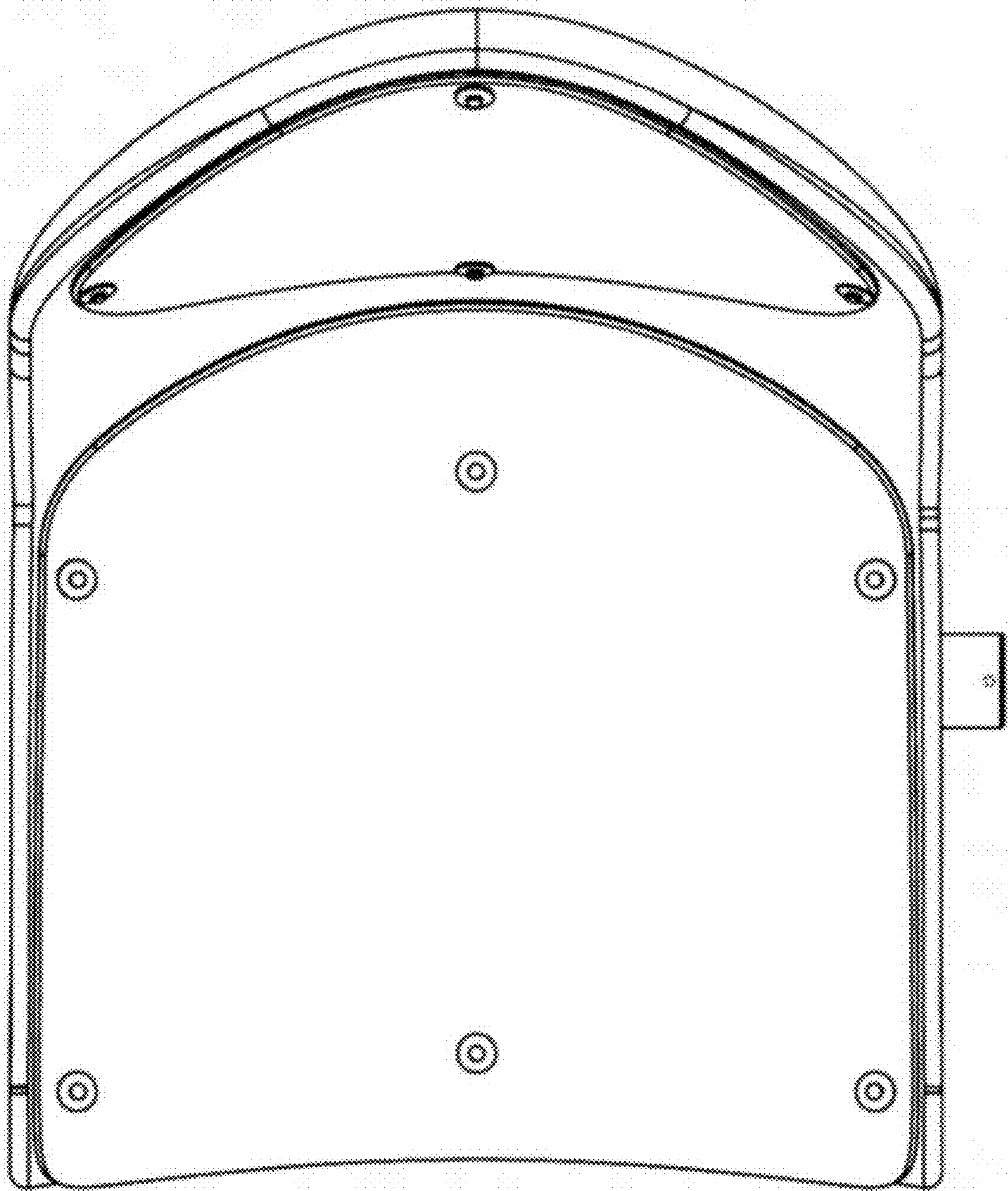


FIG. 4

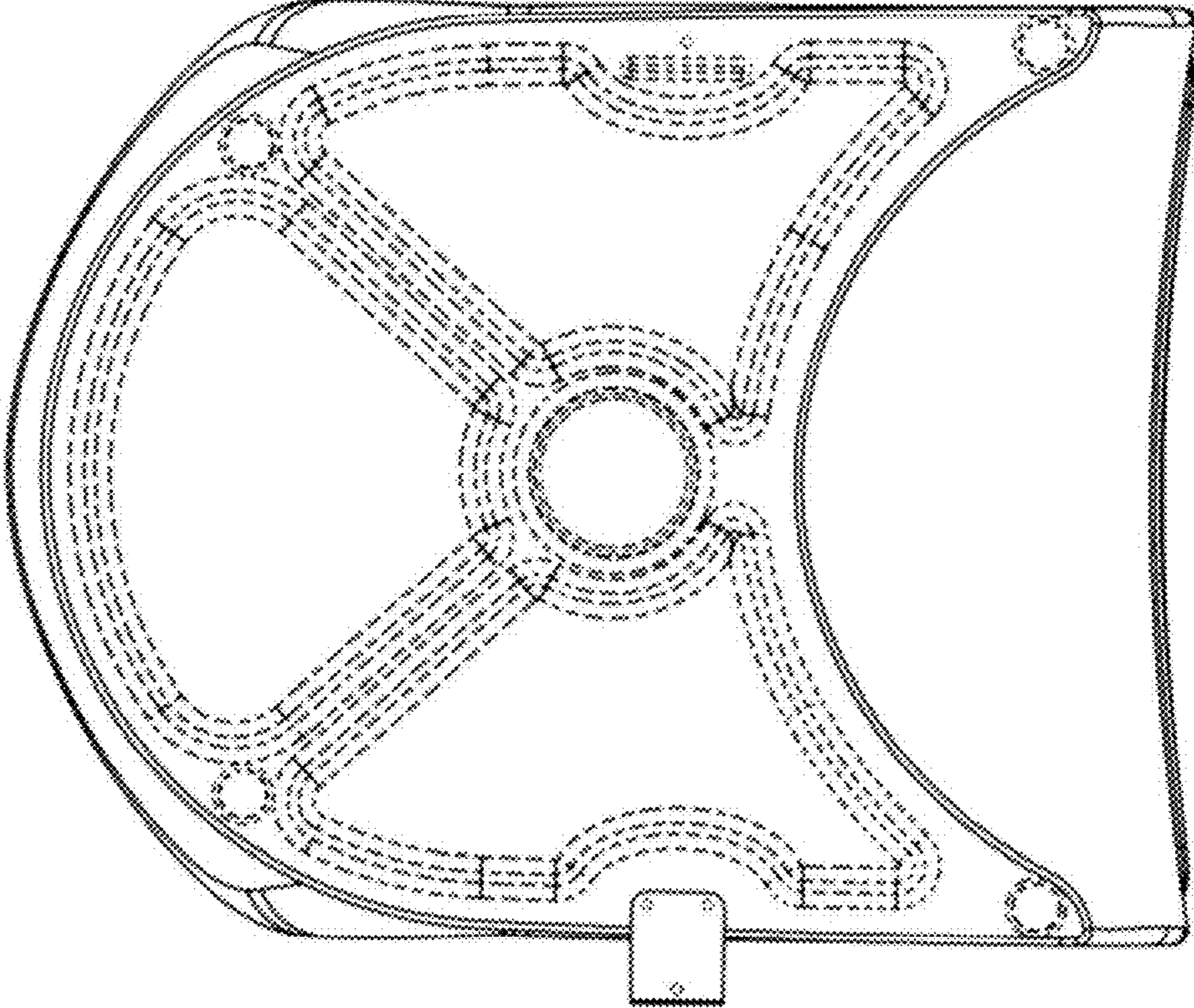


FIG. 5