



US00D911729S

(12) **United States Design Patent**
Kubryk

(10) **Patent No.:** **US D911,729 S**

(45) **Date of Patent:** **** Mar. 2, 2021**

(54) **TASK CHAIR**

(71) Applicant: **Isaac Kubryk**, Lockeford, CA (US)

(72) Inventor: **Isaac Kubryk**, Lockeford, CA (US)

(73) Assignee: **Global Allies, LLC**, Lockeford, CA (US)

(**) Term: **15 Years**

(21) Appl. No.: **29/718,112**

(22) Filed: **Dec. 20, 2019**

(51) **LOC (13) Cl.** **06-01**

(52) **U.S. Cl.**
USPC **D6/366**

(58) **Field of Classification Search**

USPC D6/334, 349, 357, 364, 365, 366, 367,
D6/368, 369, 374, 375, 379, 381, 708.16,
D6/716.1, 716.4, 716.7

CPC A47C 3/12; A47C 3/18; A47C 3/20; A47C
3/26; A47C 5/02; A47C 5/10; A47C 7/24;
A47C 7/36; A47C 7/46; A47C 7/18;
A47C 7/40; A47C 1/03255; A47C 4/42;
A47C 4/44; A47C 11/00; A47C 11/05
See application file for complete search history.

(56) **References Cited**

U.S. PATENT DOCUMENTS

3,133,762 A * 5/1964 Newman A47C 3/04
297/239
D654,732 S * 2/2012 Kubryk D6/716

D664,381 S * 7/2012 Kubryk D6/716
D730,669 S * 6/2015 Kubryk D6/716
D766,640 S * 9/2016 Kubryk D6/716
D767,318 S * 9/2016 Kubryk D6/716
D798,070 S * 9/2017 Iqbal D6/334
D799,873 S * 10/2017 Swy D6/716
D808,669 S * 1/2018 Li D6/334
D828,063 S * 9/2018 Yuglich D6/716
D885,073 S * 5/2020 Wang D6/374
D904,779 S * 12/2020 Li D6/366

* cited by examiner

Primary Examiner — R. Johnson

(74) *Attorney, Agent, or Firm* — Weintraub Tobin; Audrey A. Millemann

(57) **CLAIM**

The ornamental design for a task chair, as shown and described.

DESCRIPTION

FIG. 1 is a front perspective view of a task chair showing my new design;

FIG. 2 is a front view thereof;

FIG. 3 is a right side view thereof;

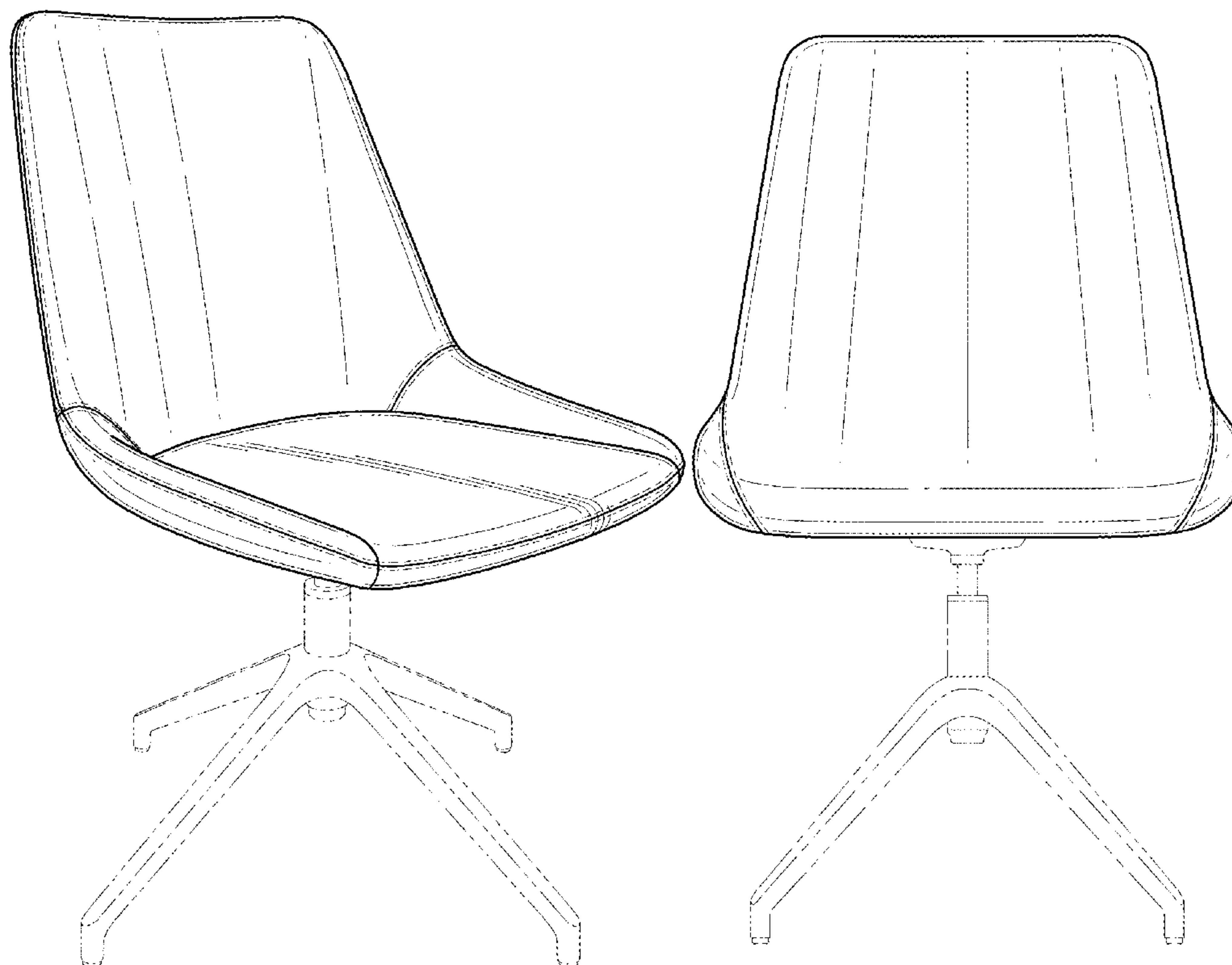
FIG. 4 is a back view thereof;

FIG. 5 is a top view thereof; and,

FIG. 6 is a bottom view thereof.

The broken lines shown in the drawing are for illustrative purposes only and form no part of the claimed design.

1 Claim, 6 Drawing Sheets



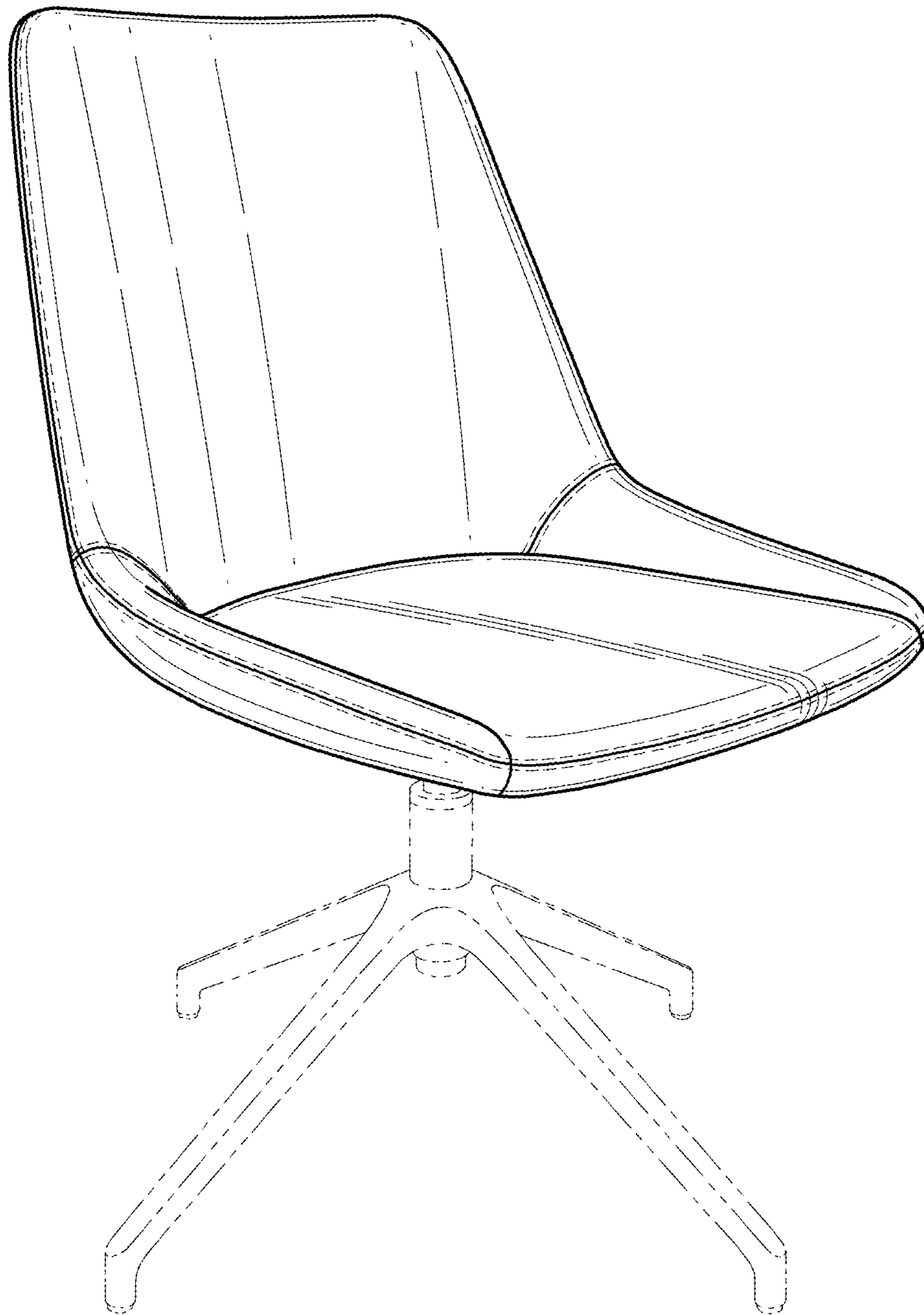


FIG. 1

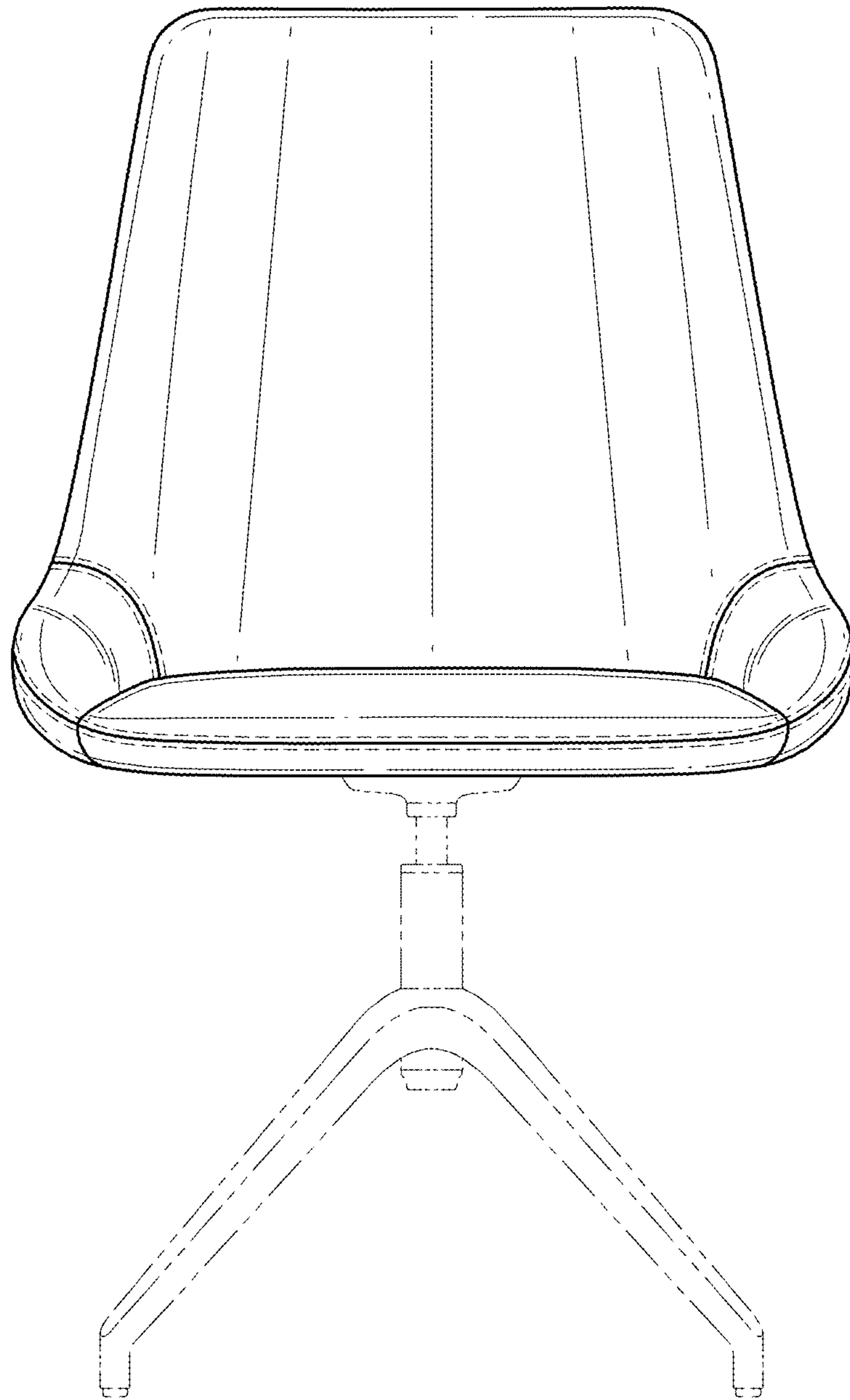


FIG. 2

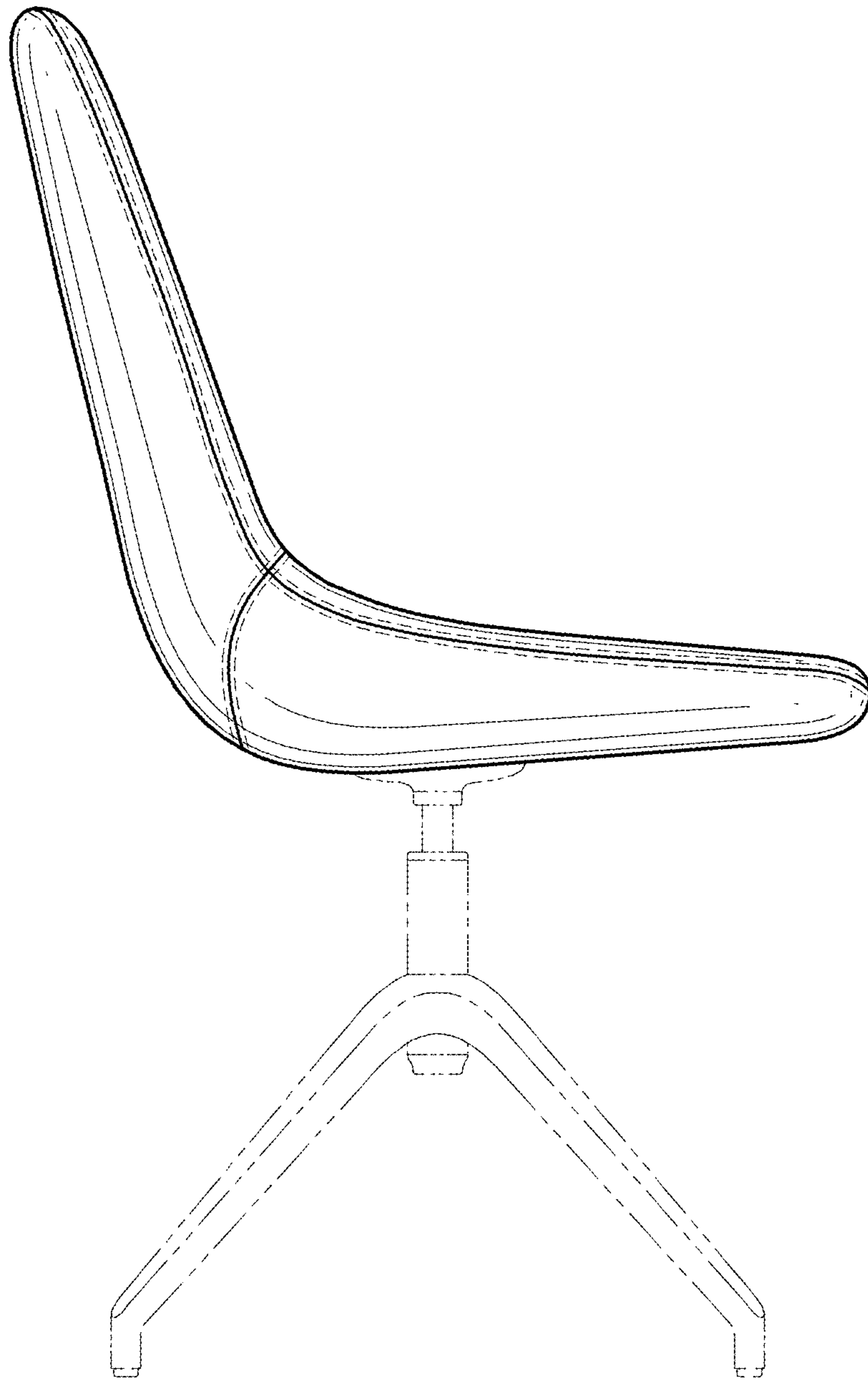


FIG. 3

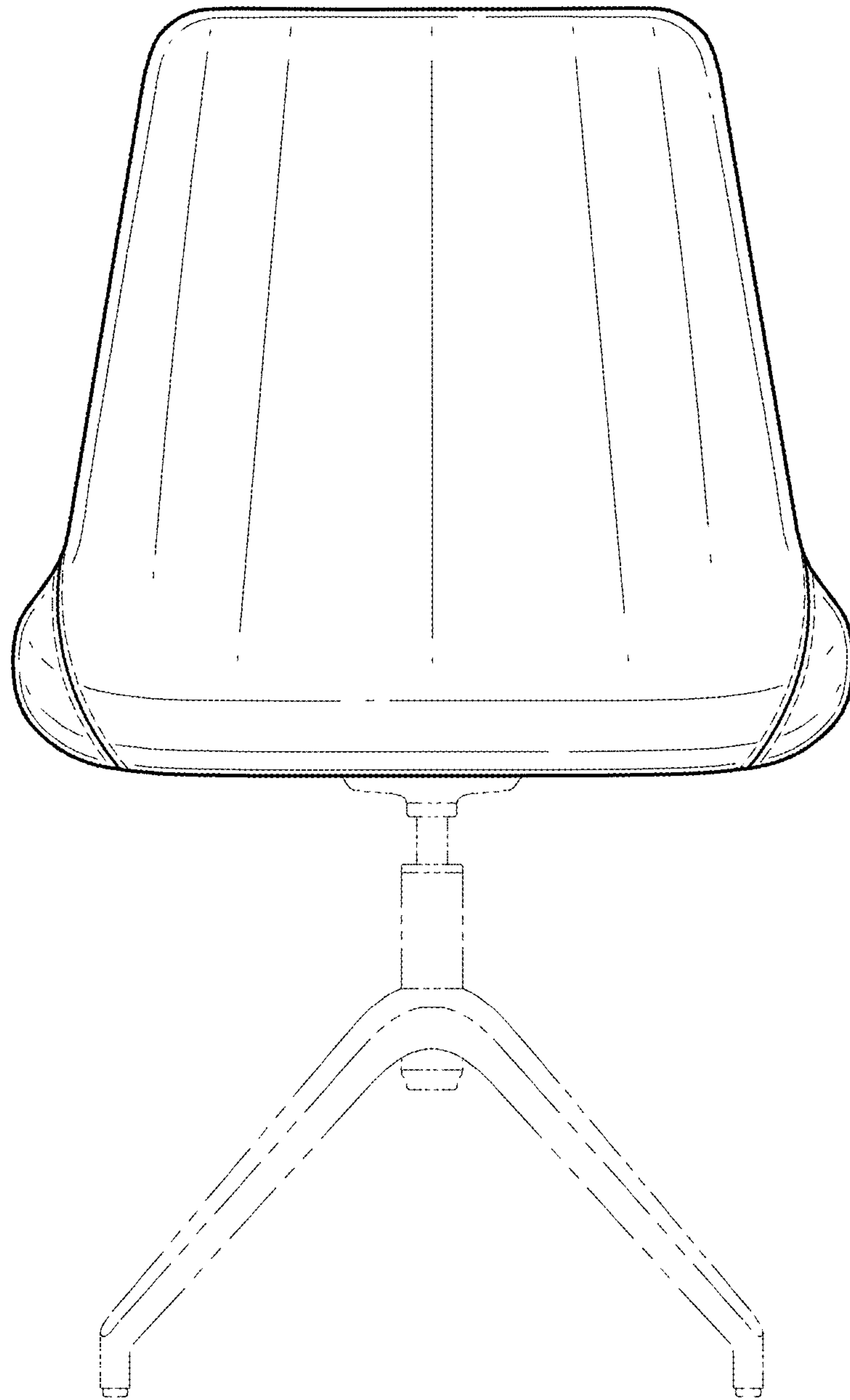


FIG. 4

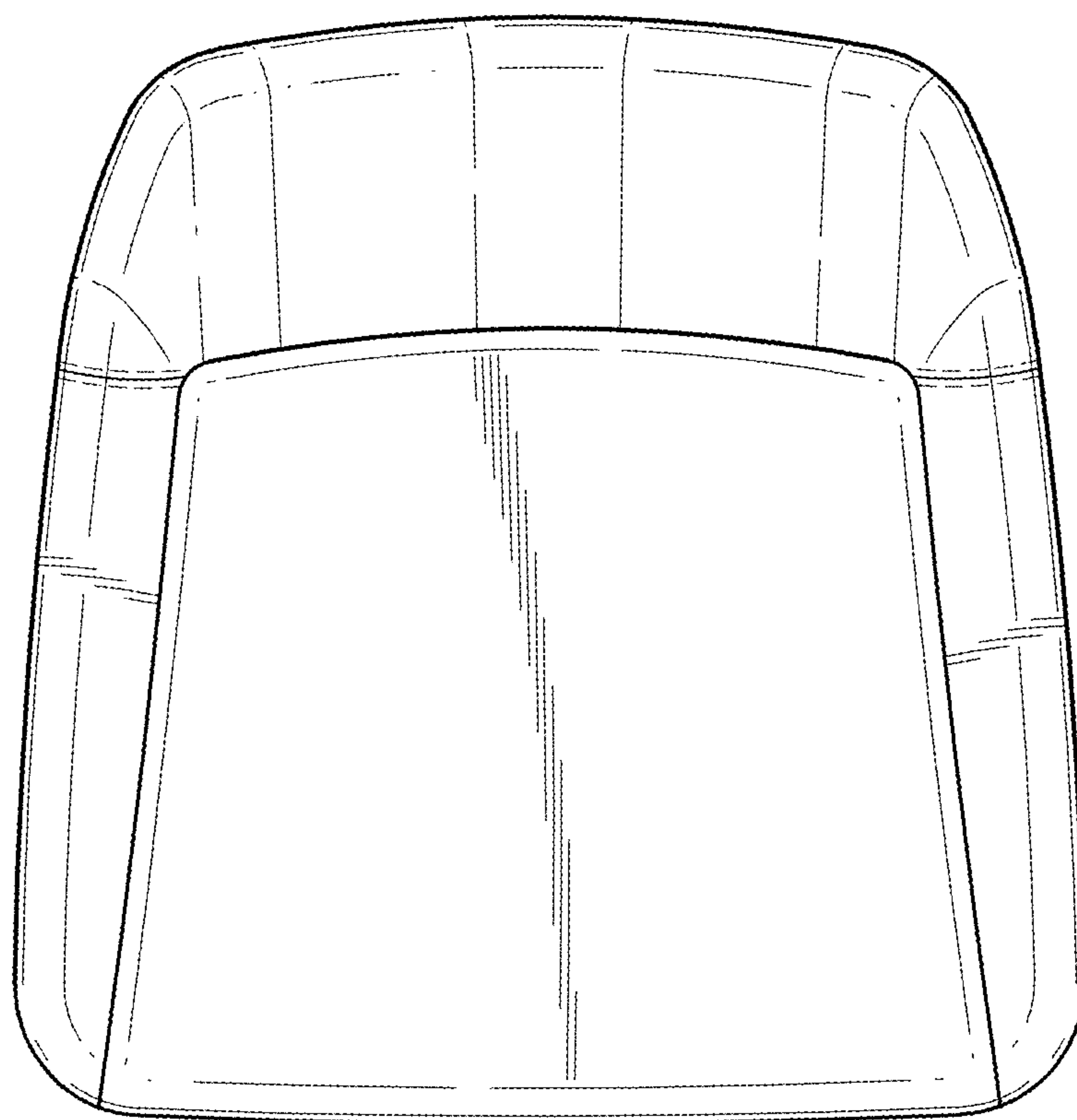


FIG. 5

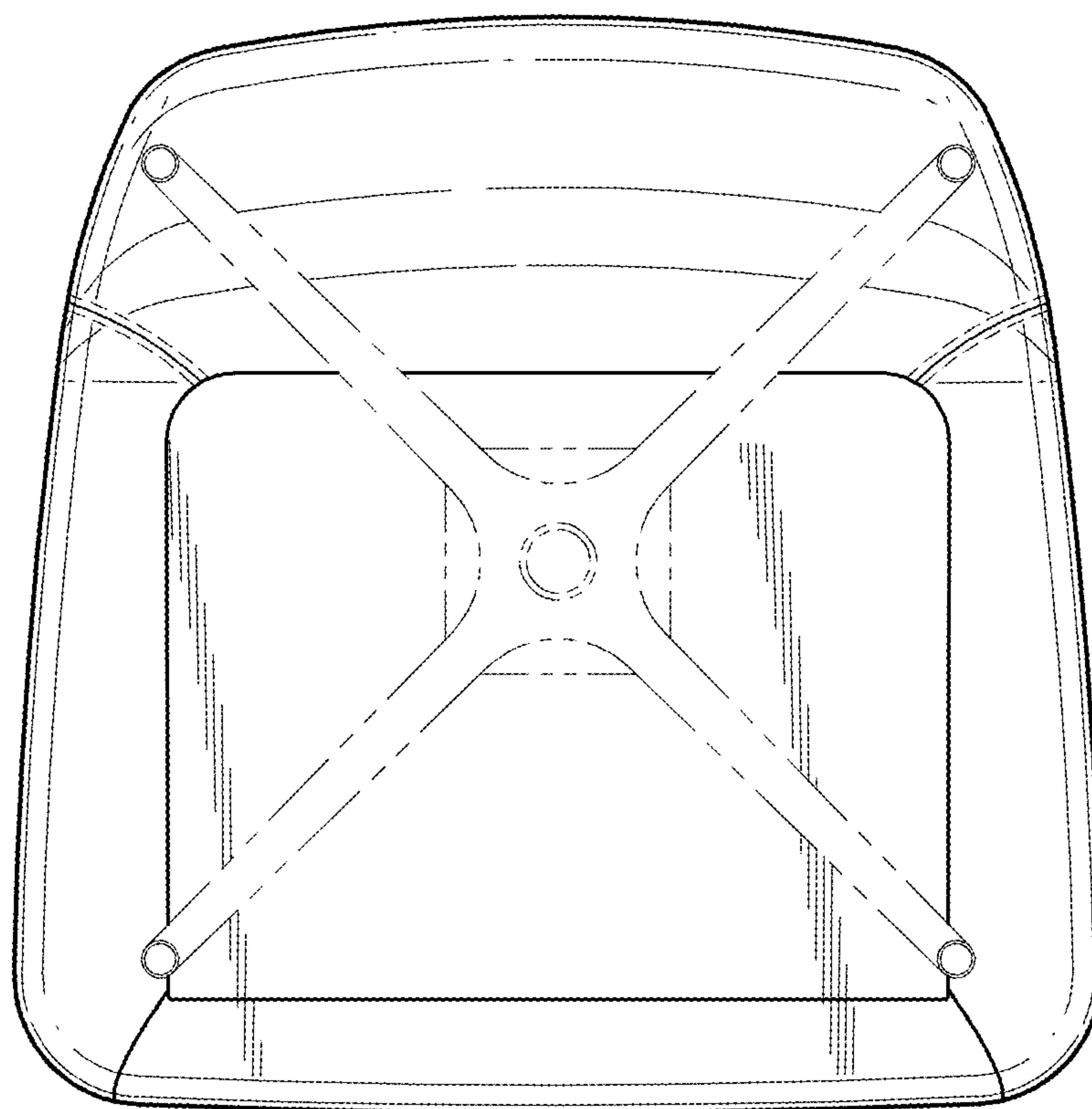


FIG. 6