



US00D911724S

(12) **United States Design Patent** (10) **Patent No.:** **US D911,724 S**
Waller et al. (45) **Date of Patent:** **** Mar. 2, 2021**

- (54) **SEATING DEVICE**
- (71) Applicant: **Gary Platt Manufacturing, LLC**,
Reno, NV (US)
- (72) Inventors: **Daniel J. Waller**, Reno, NV (US);
Edmond Abadie, Reno, NV (US);
Wendell R. Davis, Jr., Reno, NV (US)
- (73) Assignee: **Gary Platt Manufacturing, LLC**,
Reno, NV (US)
- (**) Term: **15 Years**
- (21) Appl. No.: **29/666,001**
- (22) Filed: **Oct. 9, 2018**
- (51) **LOC (13) Cl.** **06-01**
- (52) **U.S. Cl.**
USPC **D6/356**
- (58) **Field of Classification Search**
USPC D6/334–336, 356, 364, 374, 375, 708.16,
D6/716, 716.1, 716.2, 716.4
CPC .. B60N 2/00; B60N 2/005; B60N 2002/0055;
B60N 2/01; B60N 2/012; B60N 2/015;
B60N 2/24; B60N 2/242; B60N 2/245;
B60N 2/64; B60N 2/646
See application file for complete search history.

- (56) **References Cited**
U.S. PATENT DOCUMENTS
- 2,104,818 A * 1/1938 Schjolin B60N 2/242
297/448.2
- 2,512,171 A * 6/1950 Oom B60N 2/242
248/163.1
- 2,630,158 A * 3/1953 Davis B60N 2/242
297/445.1
- D239,234 S * 3/1976 Gamble D6/375

- 4,109,959 A * 8/1978 Barecki B60N 2/242
297/216.14
- 6,938,959 B1 * 9/2005 Borunda B60R 22/00
297/483
- D638,634 S * 5/2011 Figueras Mitjans D6/364
- D812,921 S * 3/2018 Vorwerk D6/356
- D832,015 S * 10/2018 Deemer D6/708.16

* cited by examiner

Primary Examiner — Mimoso De
 (74) *Attorney, Agent, or Firm* — Hanley, Flight and
 Zimmerman, LLC

(57) **CLAIM**

The ornamental design for a seating device, substantially as
 shown and described.

DESCRIPTION

A portion of the disclosure of this patent document contains
 material for which a claim for copyright is made. The
 copyright owner has no objection to the facsimile reproduc-
 tion by anyone of the patent document or the patent disclo-
 sure, as it appears in the U.S. Patent and Trademark Office
 patent file or records, but reserves all other copyrights
 whatsoever.

FIG. 1 is a front perspective view of an ornamental design
 for a seating device;
 FIG. 2 is a front view thereof;
 FIG. 3 is a rear view thereof;
 FIG. 4 is a left elevation view thereof;
 FIG. 5 is a right elevation view thereof;
 FIG. 6 is a top view thereof;
 FIG. 7 is a bottom view thereof; and,
 FIG. 8 is a rear perspective view thereof.

In the drawings, the broken lines depict portions of the
 seating device that form no part of the claimed design.

1 Claim, 8 Drawing Sheets

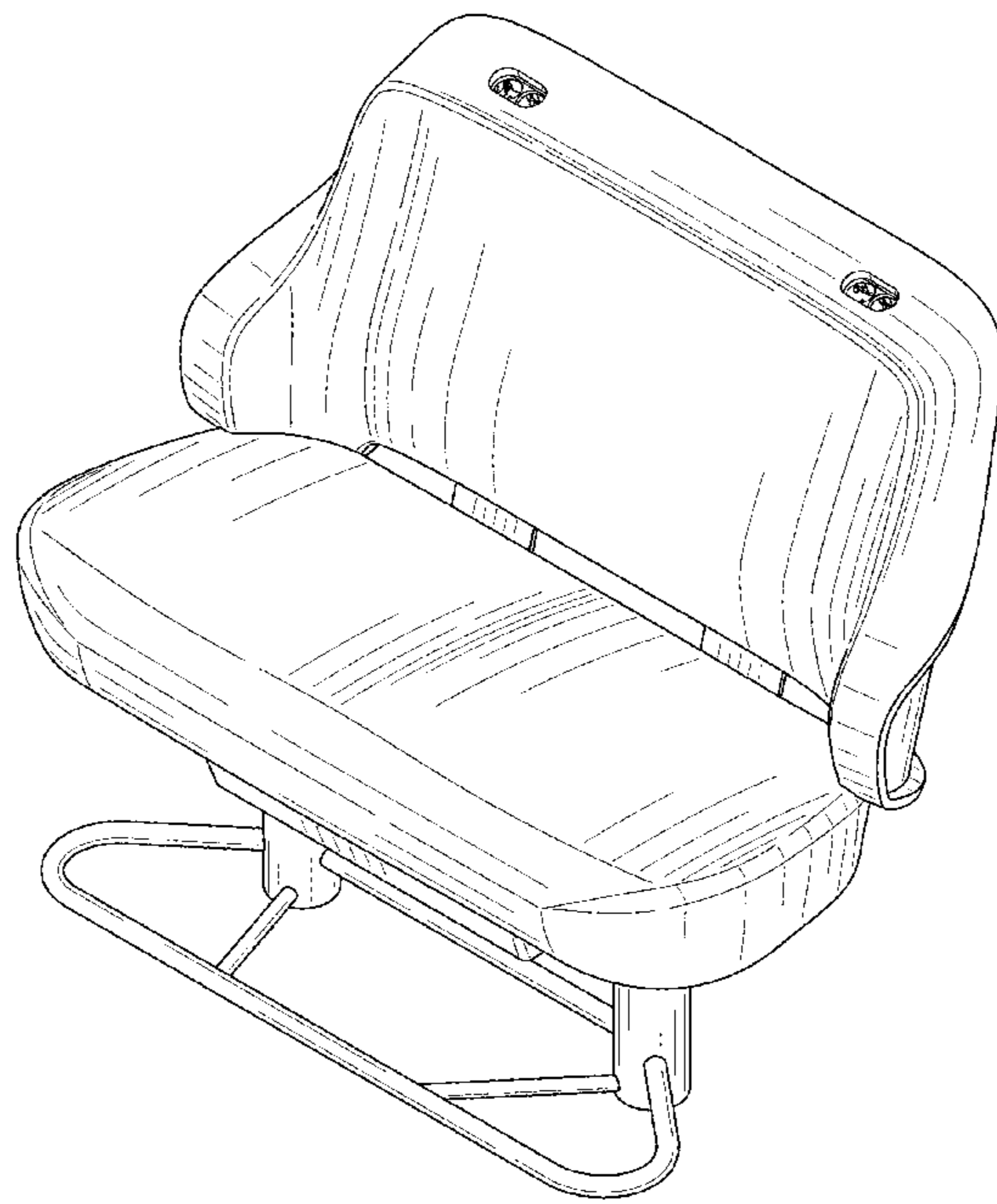




FIG. 1

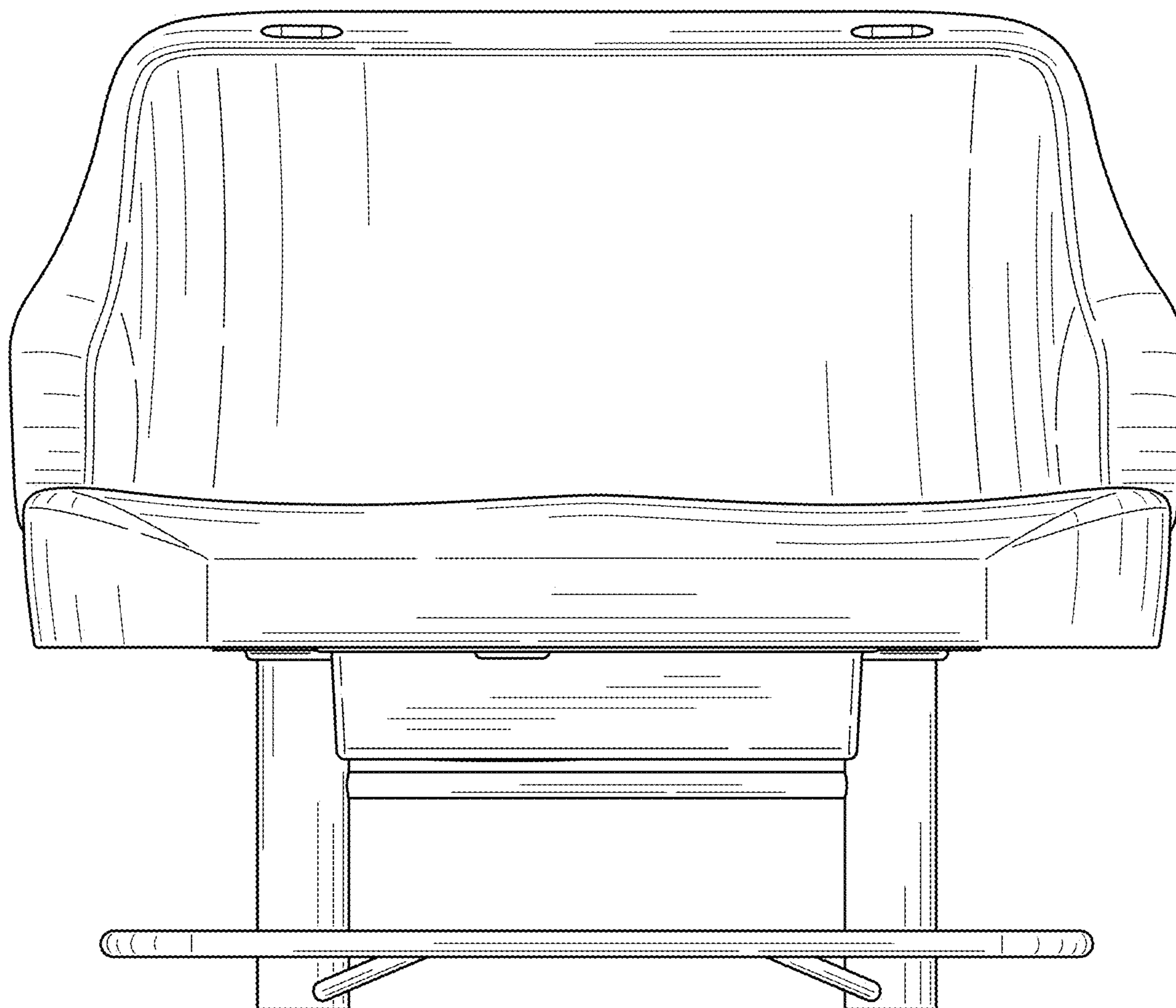


FIG. 2

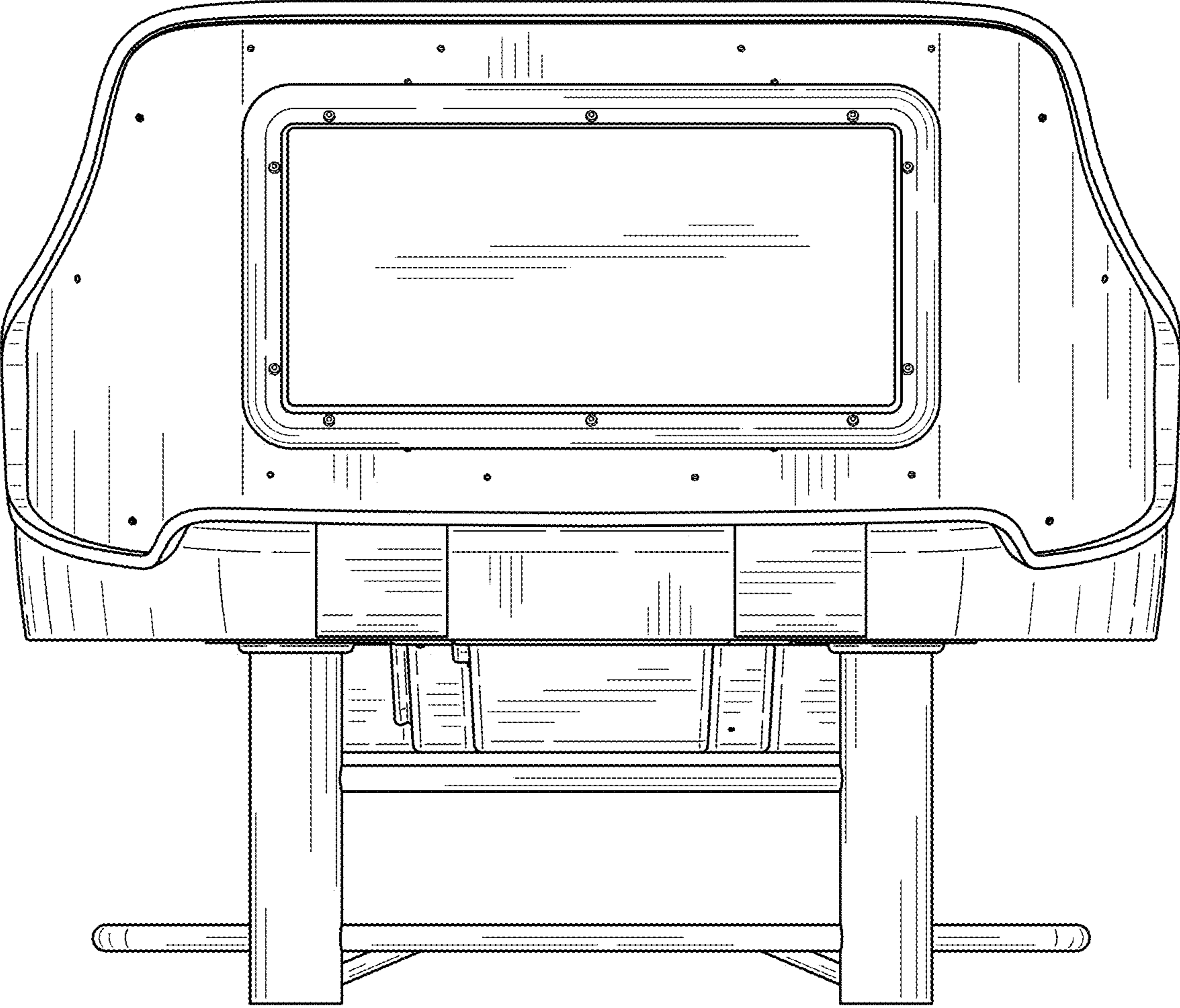


FIG. 3

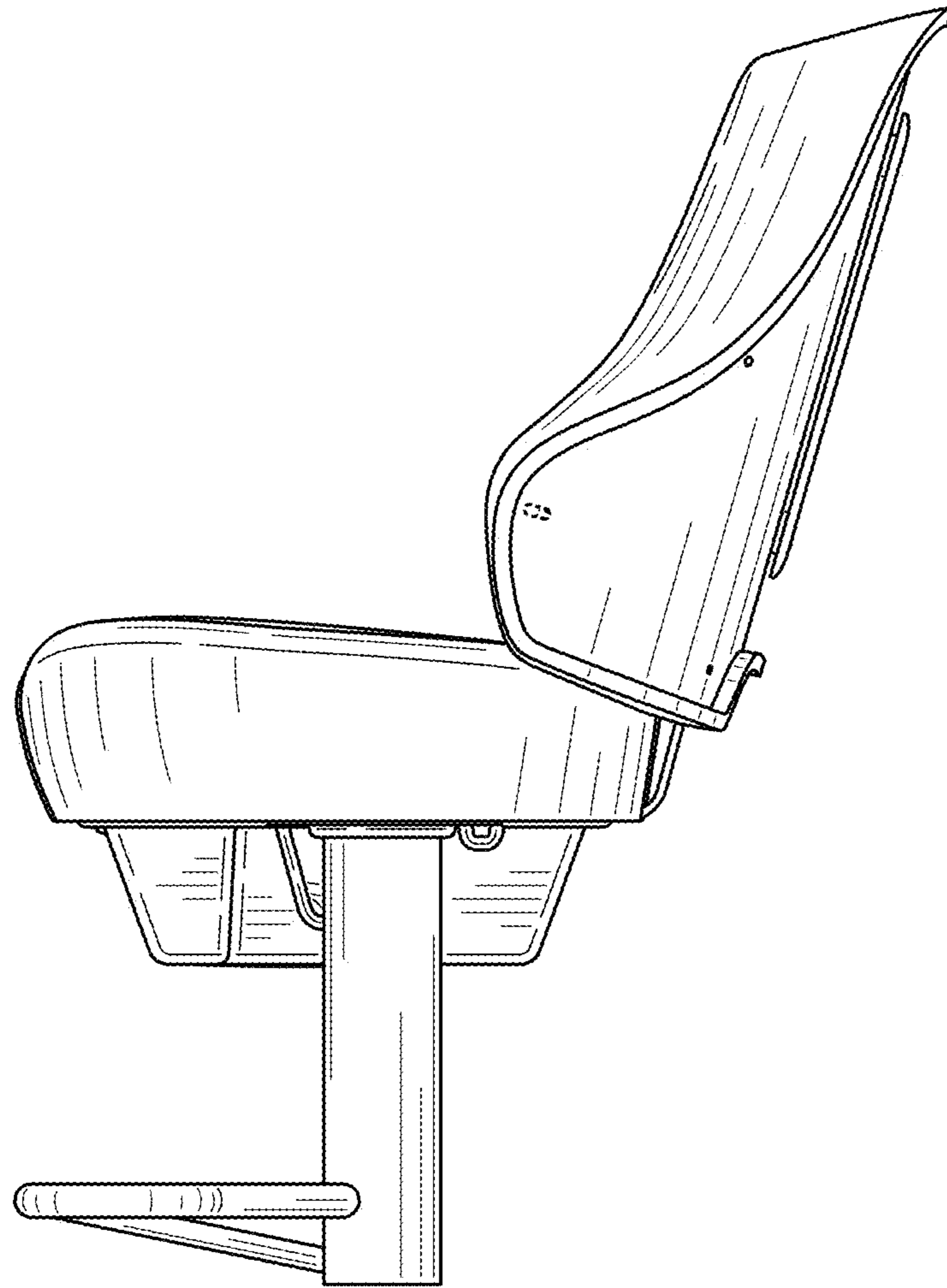


FIG. 4

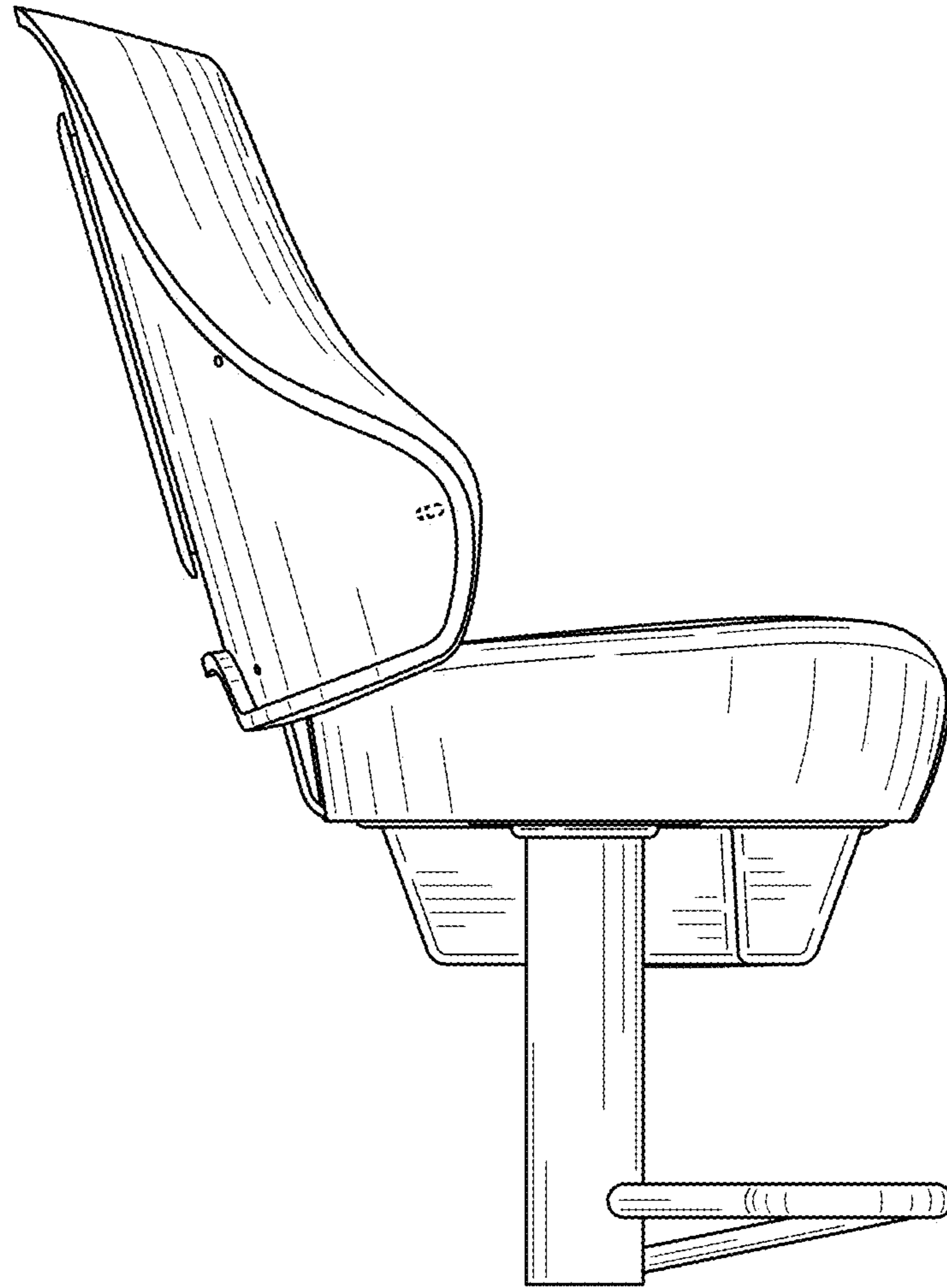


FIG. 5

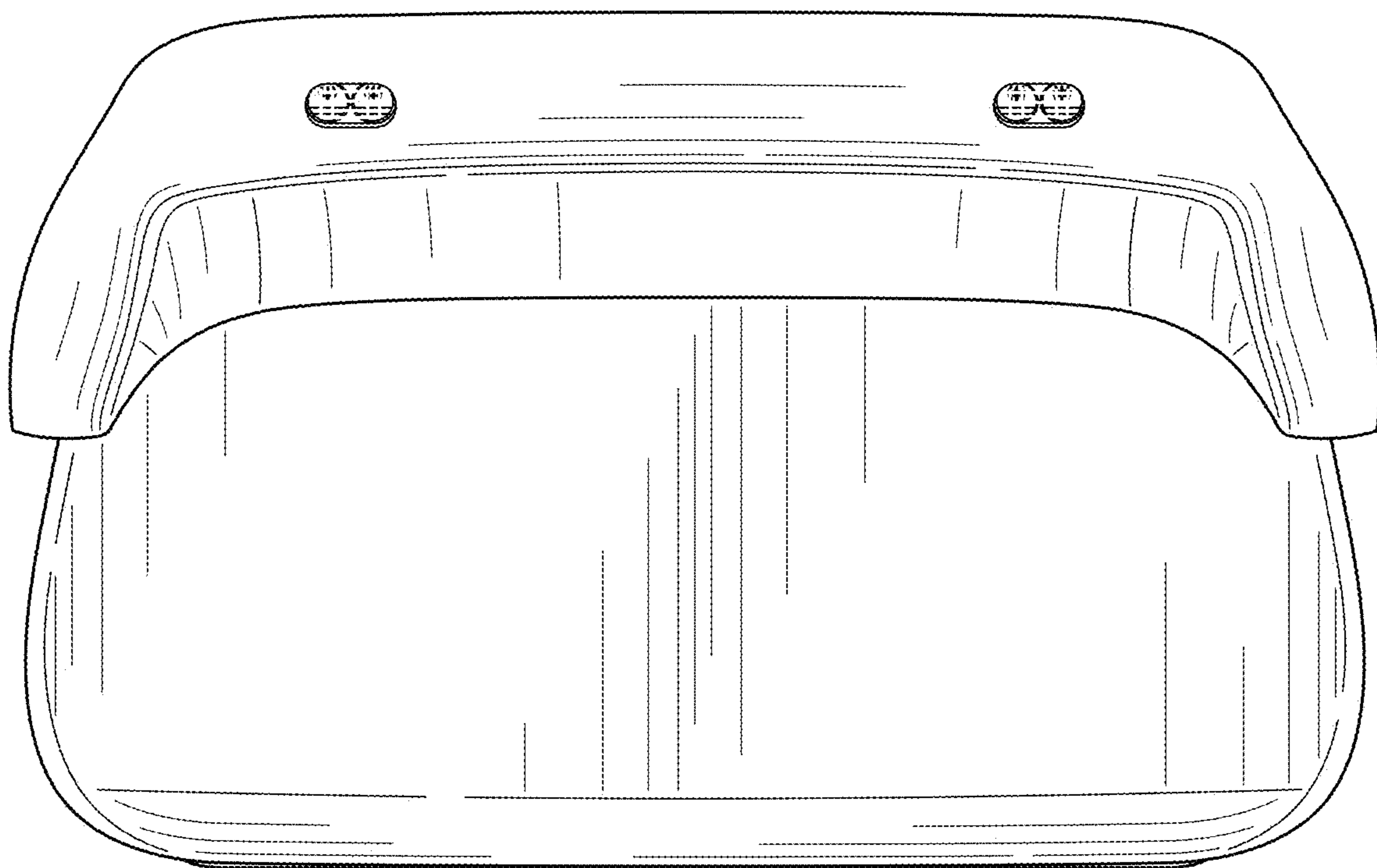


FIG. 6

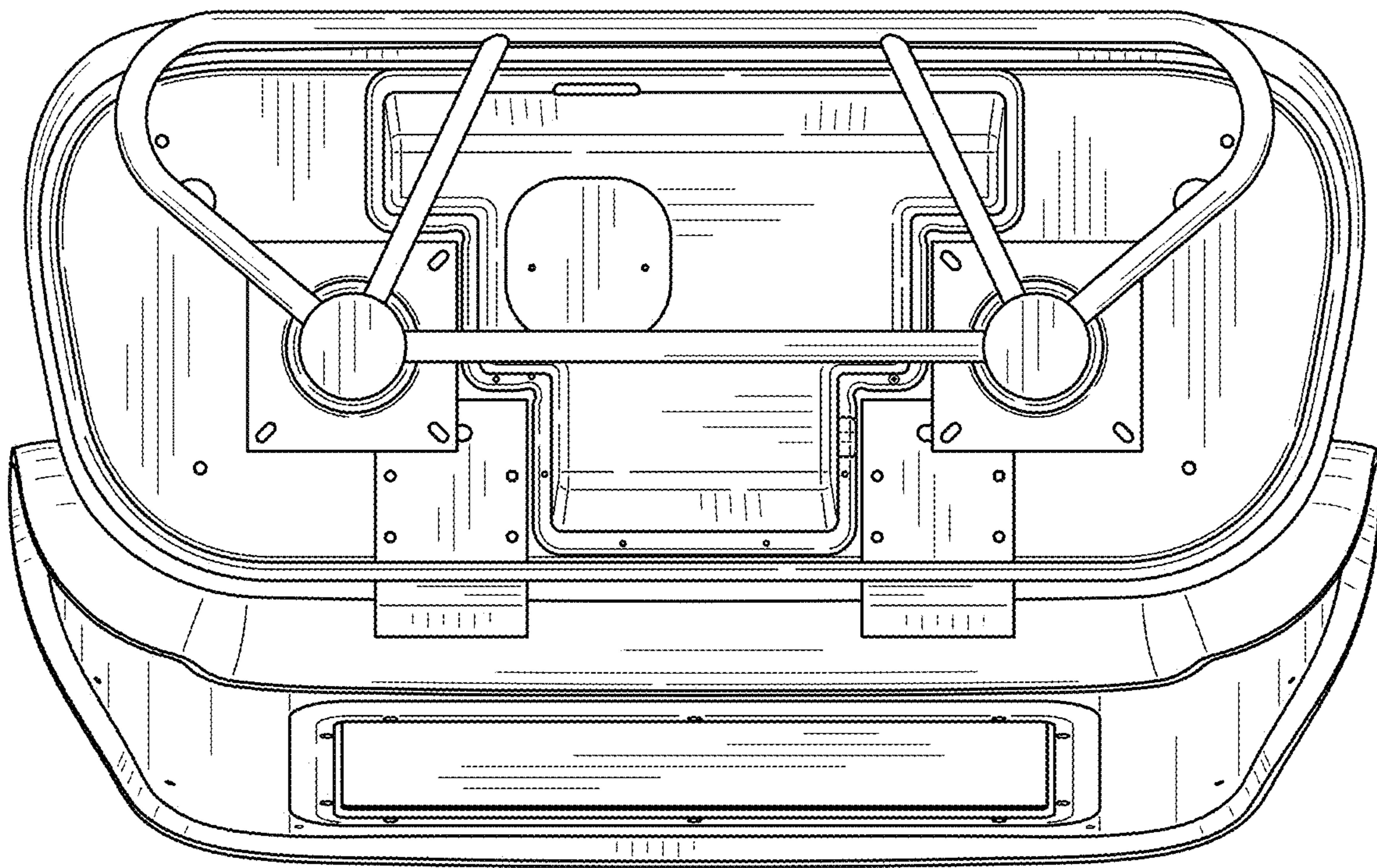


FIG. 7

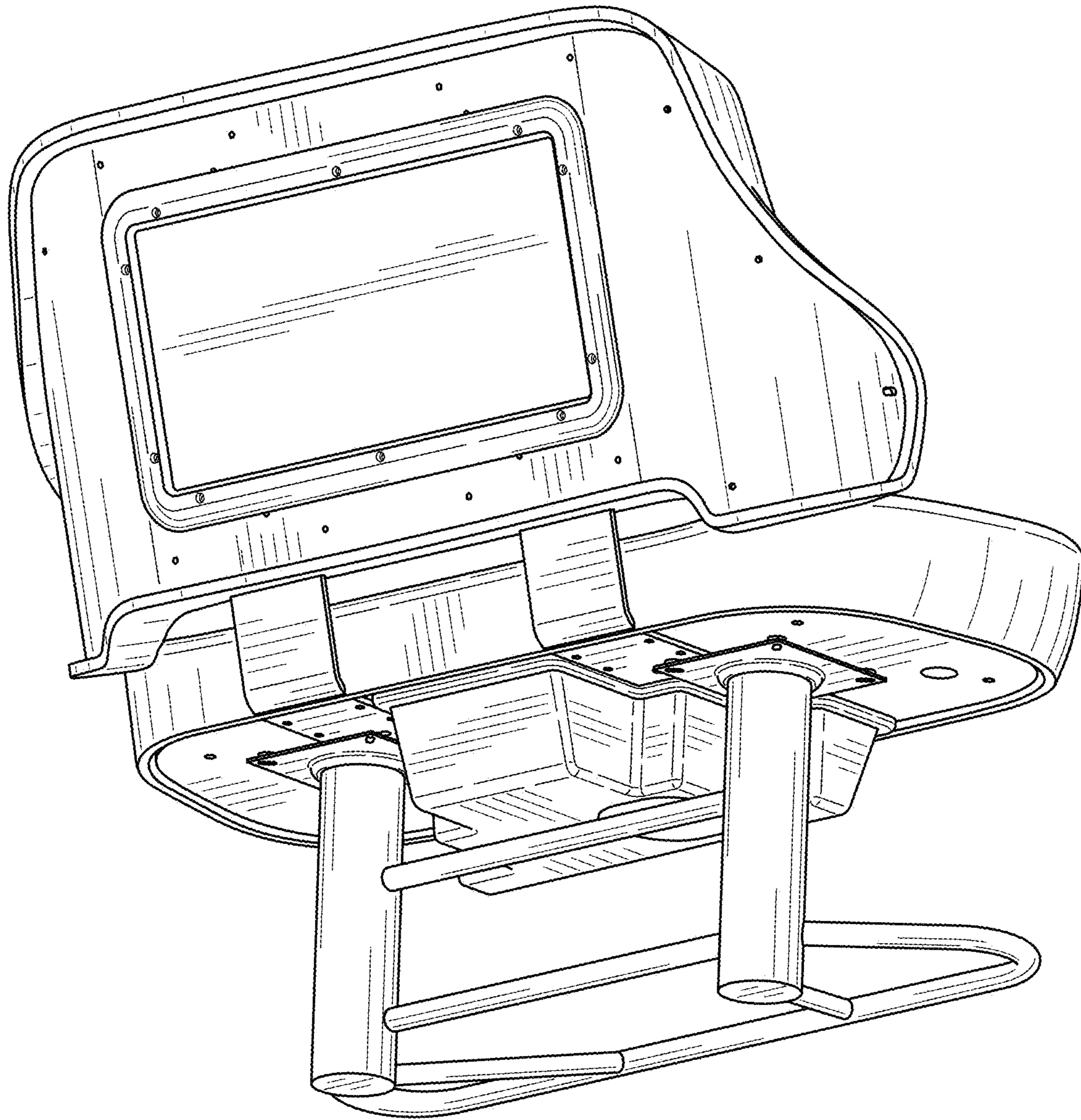


FIG. 8