



US00D911716S

(12) **United States Design Patent** (10) **Patent No.:** **US D911,716 S**
Lin (45) **Date of Patent:** **** Mar. 2, 2021**

(54) **COSMETIC BRUSH**

(71) Applicant: **BEAUTY YAURIENT COSMETICS ACCESSORIES (SHENZHEN) CO., LTD.**, Guangdong (CN)

(72) Inventor: **Yuju Lin**, Guangdong (CN)

(73) Assignee: **BEAUTY YAURIENT COSMETICS ACCESSORIES (SHENZHEN) CO., LTD.**, Shenzhen (CN)

(**) Term: **15 Years**

(21) Appl. No.: **29/698,052**

(22) Filed: **Jul. 12, 2019**

(30) **Foreign Application Priority Data**

Jun. 18, 2019 (CN) 201930313986.1

(51) **LOC (13) Cl.** **04-02**

(52) **U.S. Cl.**
USPC **D4/127; D4/135**

(58) **Field of Classification Search**
USPC D4/114, 115, 116, 117, 118, 119, 120, D4/121, 122, 123, 124, 125, 126, 127, D4/128, 129, 130, 131, 132, 133, 134, D4/135, 136, 137, 138, 199; D28/7
CPC A46B 9/021
See application file for complete search history.

(56) **References Cited**

U.S. PATENT DOCUMENTS

D755,526 S * 5/2016 Ward D4/127
D827,308 S * 9/2018 Nicoline D4/138

D827,309 S * 9/2018 Nicoline D4/138
D857,400 S * 8/2019 Nicoline D4/138
D889,134 S * 7/2020 Nicoline D4/135
2011/0174680 A1 * 7/2011 Arvin A45D 33/00
206/581
2017/0188691 A1 * 7/2017 Richards A46B 9/021

FOREIGN PATENT DOCUMENTS

CN 304983302 * 1/2019
CN 305198938 * 6/2019
CN 305621670 * 2/2020
EM 006624177-0001 * 8/2019
JP D1655570 * 3/2020

* cited by examiner

Primary Examiner — Karen E Eldridge Powers

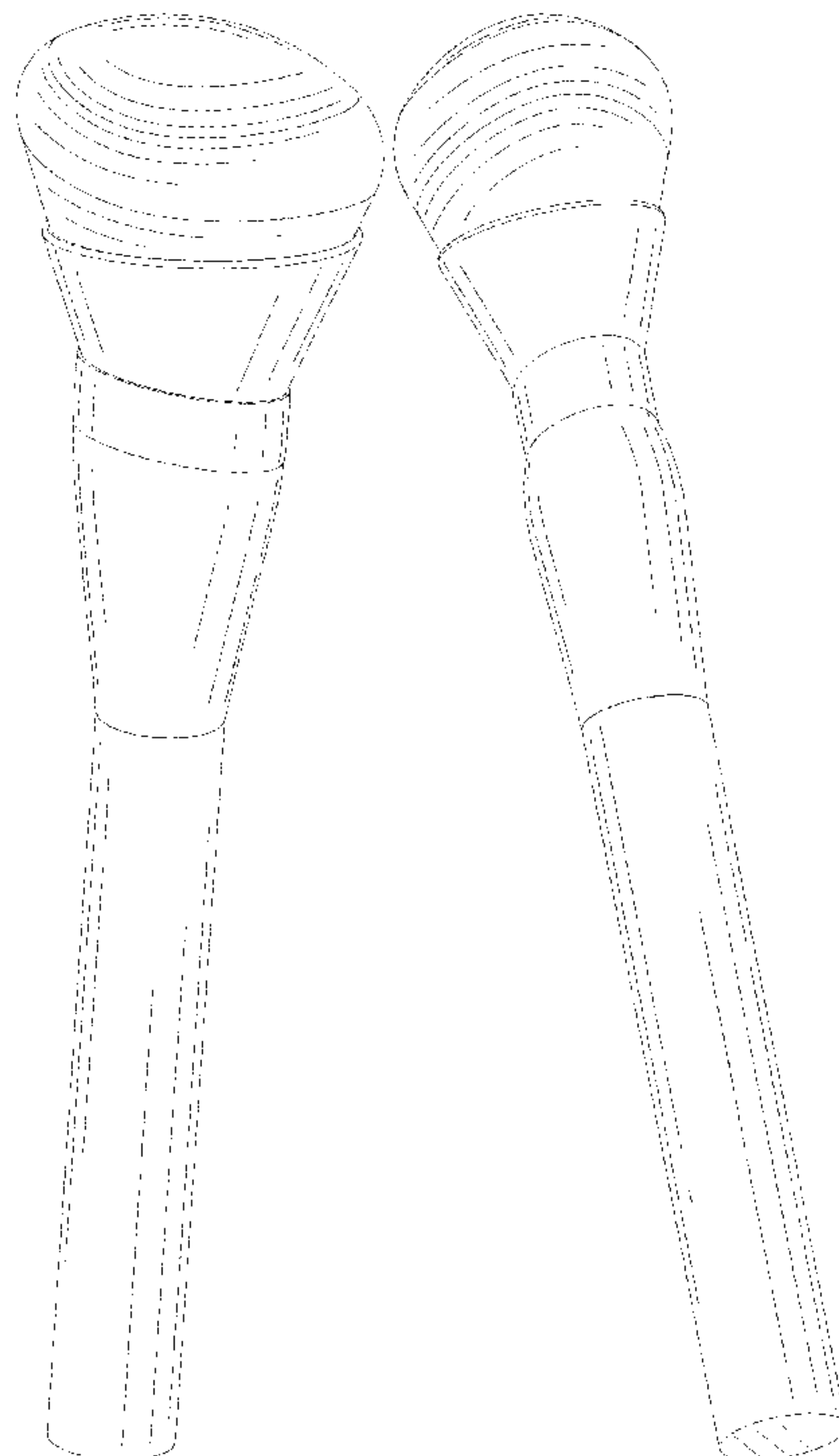
(57) **CLAIM**

The ornamental design for a cosmetic brush, as shown and described.

DESCRIPTION

FIG. 1 is a front, top, and left side perspective view of a cosmetic brush showing my new design;
FIG. 2 is rear, bottom and right side perspective view thereof;
FIG. 3 is a front elevation view thereof;
FIG. 4 is a back elevation view thereof;
FIG. 5 is a left side elevation view thereof;
FIG. 6 is a right side elevation view thereof;
FIG. 7 is a top plan view thereof; and,
FIG. 8 is a bottom plan view thereof.

1 Claim, 8 Drawing Sheets



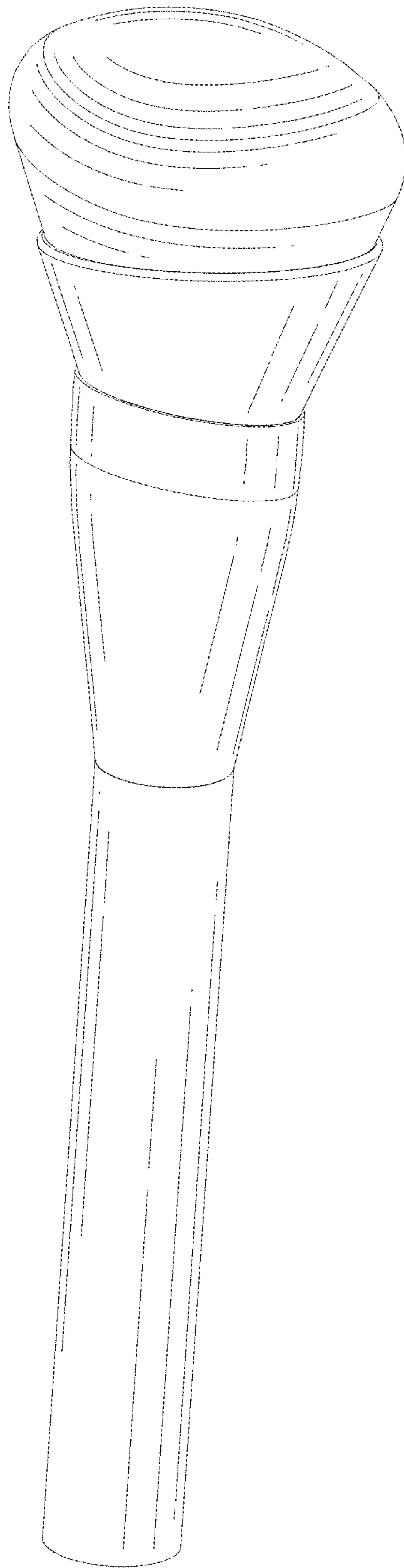


FIG. 1

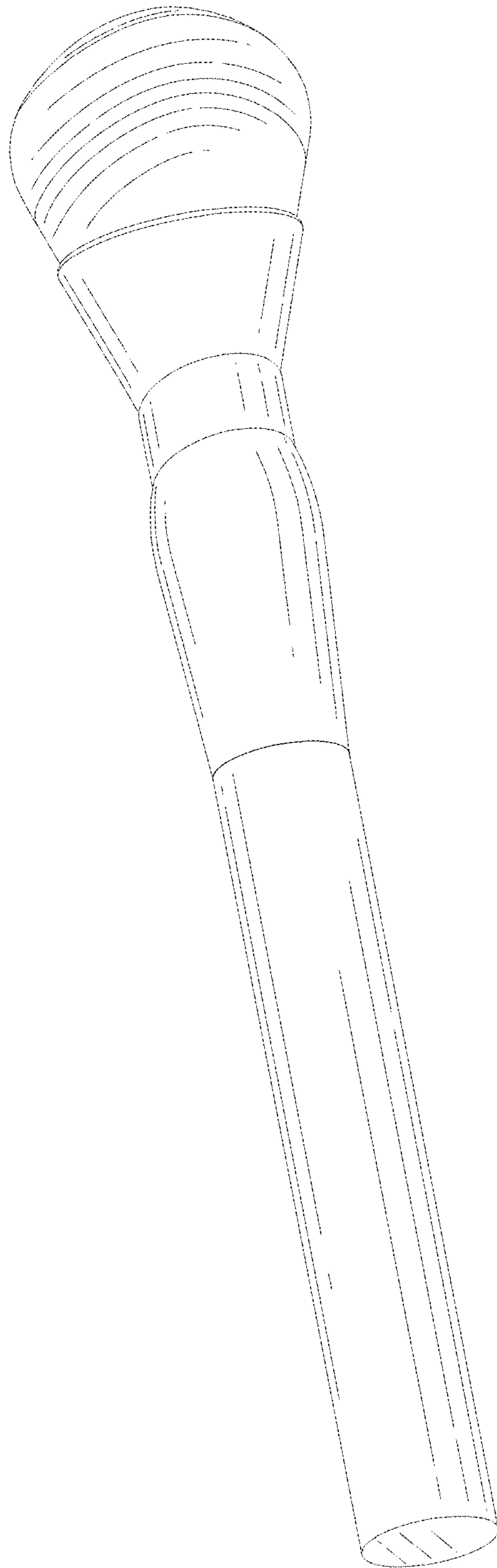


FIG. 2

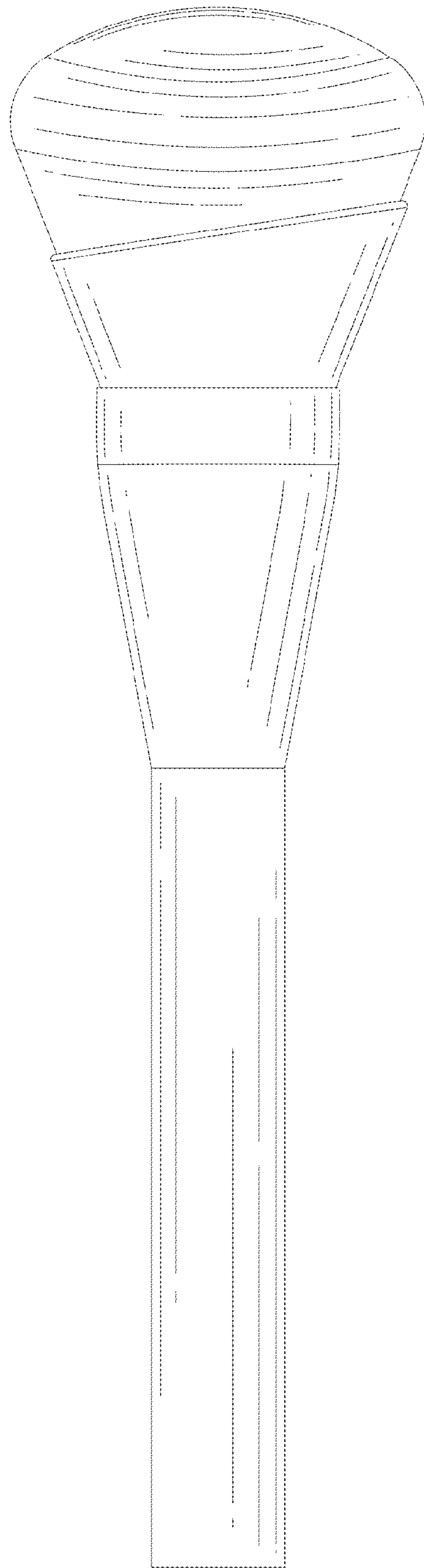


FIG. 3

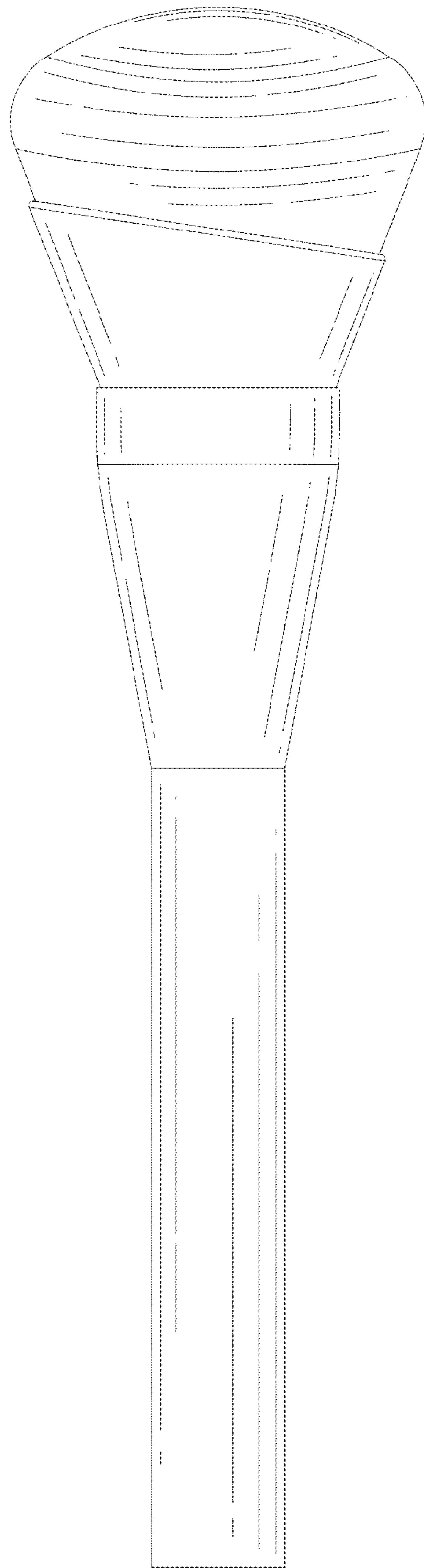


FIG. 4

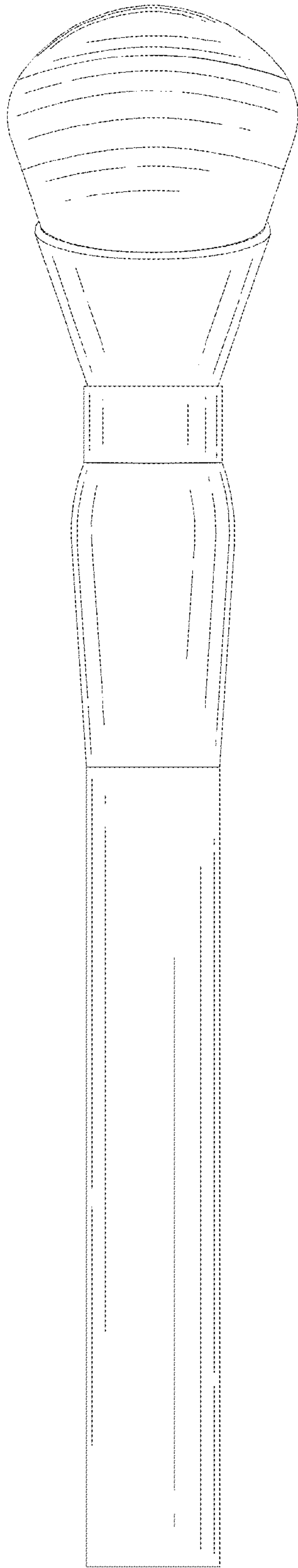


FIG. 5

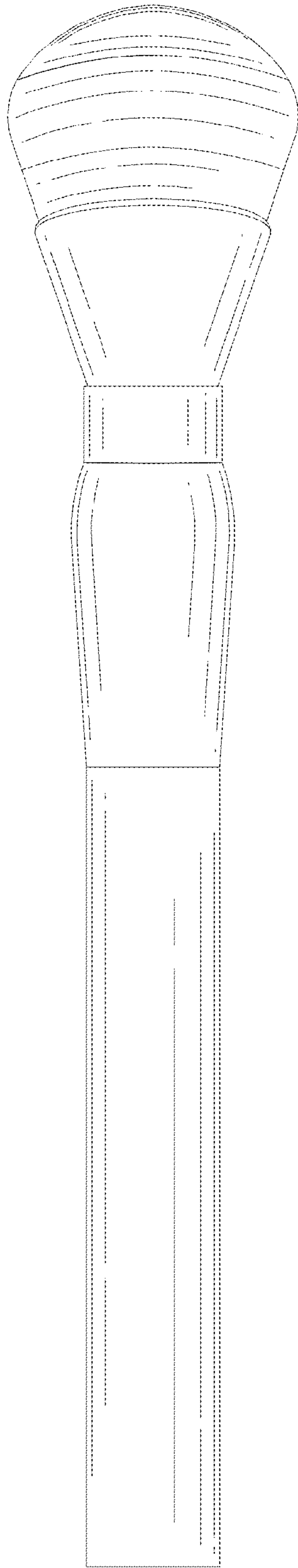


FIG. 6

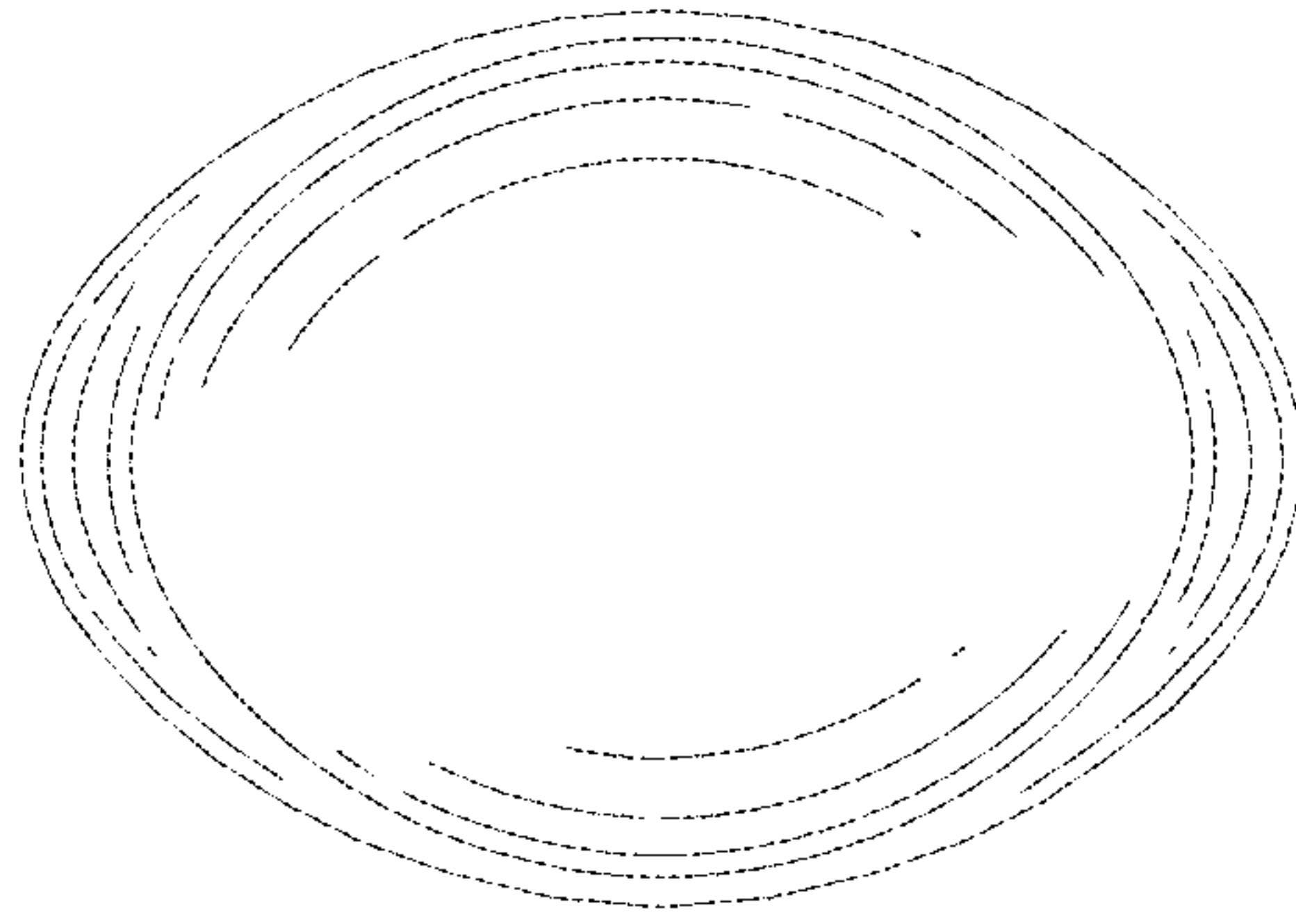


FIG. 7

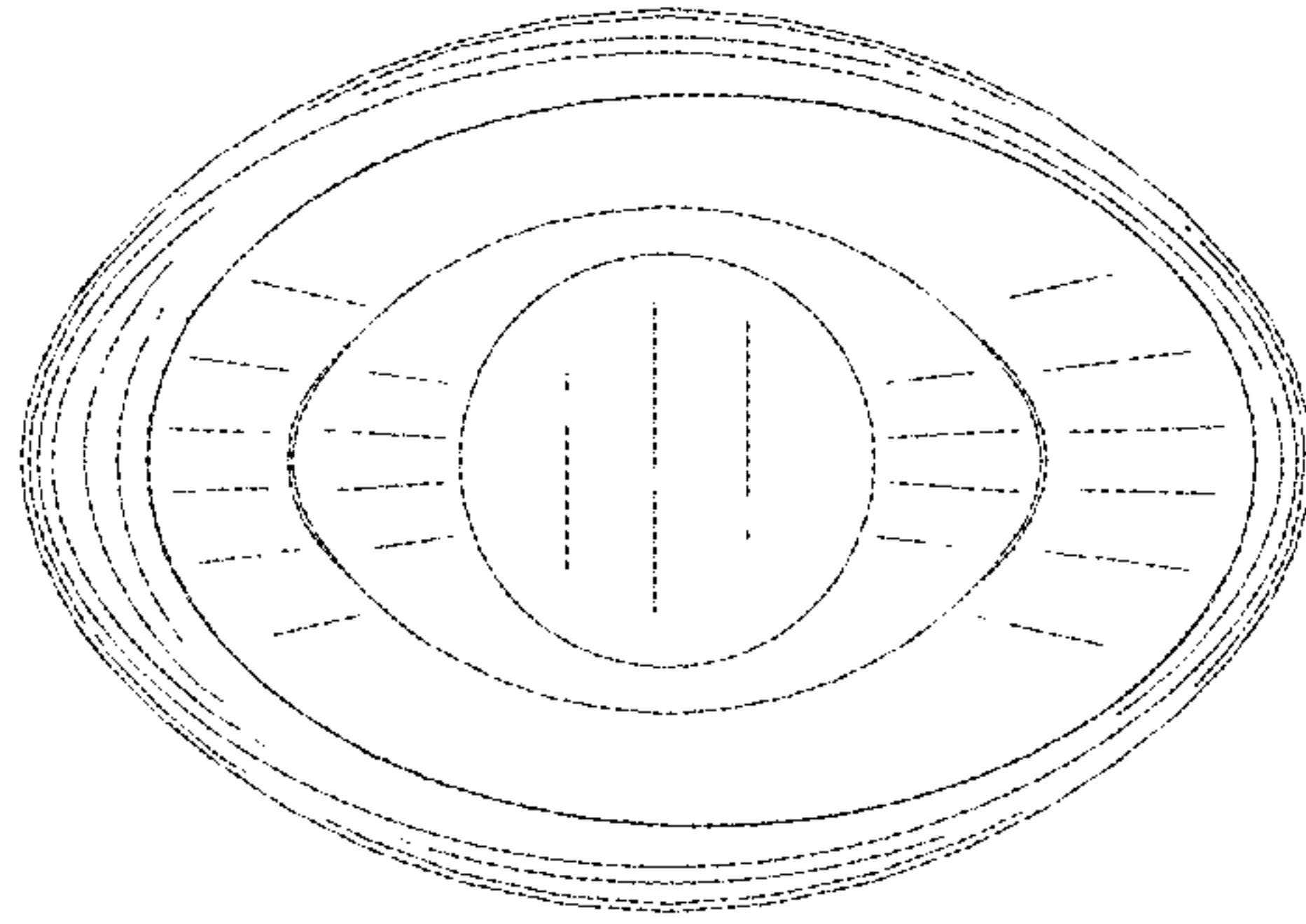


FIG. 8