



US00D911712S

(12) **United States Design Patent Grant**

(10) **Patent No.: US D911,712 S**

(45) **Date of Patent: \*\* Mar. 2, 2021**

(54) **LOCK BOX**

(71) Applicant: **Winston Grant**, Pembroke Pines, FL (US)

(72) Inventor: **Winston Grant**, Pembroke Pines, FL (US)

(\*\*) Term: **15 Years**

(21) Appl. No.: **29/671,496**

(22) Filed: **Nov. 28, 2018**

(51) **LOC (13) Cl.** ..... **03-01**

(52) **U.S. Cl.**  
USPC ..... **D3/305**; D3/304; D8/346

(58) **Field of Classification Search**  
USPC ..... D8/348, 346, 347, 345, 344, 342, 343, D8/333-339; D3/316, 317, 314, 315,  
(Continued)

(56) **References Cited**

U.S. PATENT DOCUMENTS

D381,513 S \* 7/1997 Brauner ..... D3/305  
7,137,522 B2 \* 11/2006 Dubois ..... B65D 11/1826  
220/6

(Continued)

FOREIGN PATENT DOCUMENTS

KR 300421207.0000 \* 3/2005  
KR 300451387.0000 \* 5/2006

(Continued)

OTHER PUBLICATIONS

CleverMade Store, 46L Collapsible Storage Bins with Lids—Folding Plastic Stackable Utility Crates, Solid Wall CleverCrates, 3 Pack, Date first available Jan. 10, 2018, [online]retrieved Oct. 2, 2020, available from internet, www.amazon.com (Year: 2018).\*

(Continued)

*Primary Examiner* — Keli L Hill  
*Assistant Examiner* — Sara S Sahneh

(74) *Attorney, Agent, or Firm* — Nancy J. Flint, Attorney at Law, P.A.; Nancy J. Flint, Esq.

(57) **CLAIM**

The ornamental design for a lock box, as shown and described.

**DESCRIPTION**

FIG. 1 is a top perspective view of a lock box in its assembled and closed position showing my new design; FIG. 2 is a bottom perspective view of the lock box in its assembled and closed position; FIG. 3 is a front view of the lock box in its assembled and closed position; FIG. 4 is a rear view of the lock box in its assembled and closed position; FIG. 5 is a top view of the lock box in its assembled and closed position; FIG. 6 is a bottom view of the lock box in its assembled and closed position; FIG. 7 is a left side view of the lock box in its assembled and closed position; FIG. 8 is a top perspective view of a lock box in its collapsed position; FIG. 9 is a bottom perspective view of the lock box in its collapsed position; FIG. 10 is a front view of the lock box in its collapsed position; FIG. 11 is a left side view of the lock box in its collapsed position; FIG. 12 is a rear view of the lock box in its collapsed position; FIG. 13 is a top view of the lock box in its collapsed position; FIG. 14 is a bottom view of the lock box in its collapsed position; FIG. 15 is a top perspective view of a lock box in its assembled and open position; FIG. 16 is a top view of the lock box in its assembled and open position; FIG. 17 is a front view of the lock box in its assembled and open position;

(Continued)

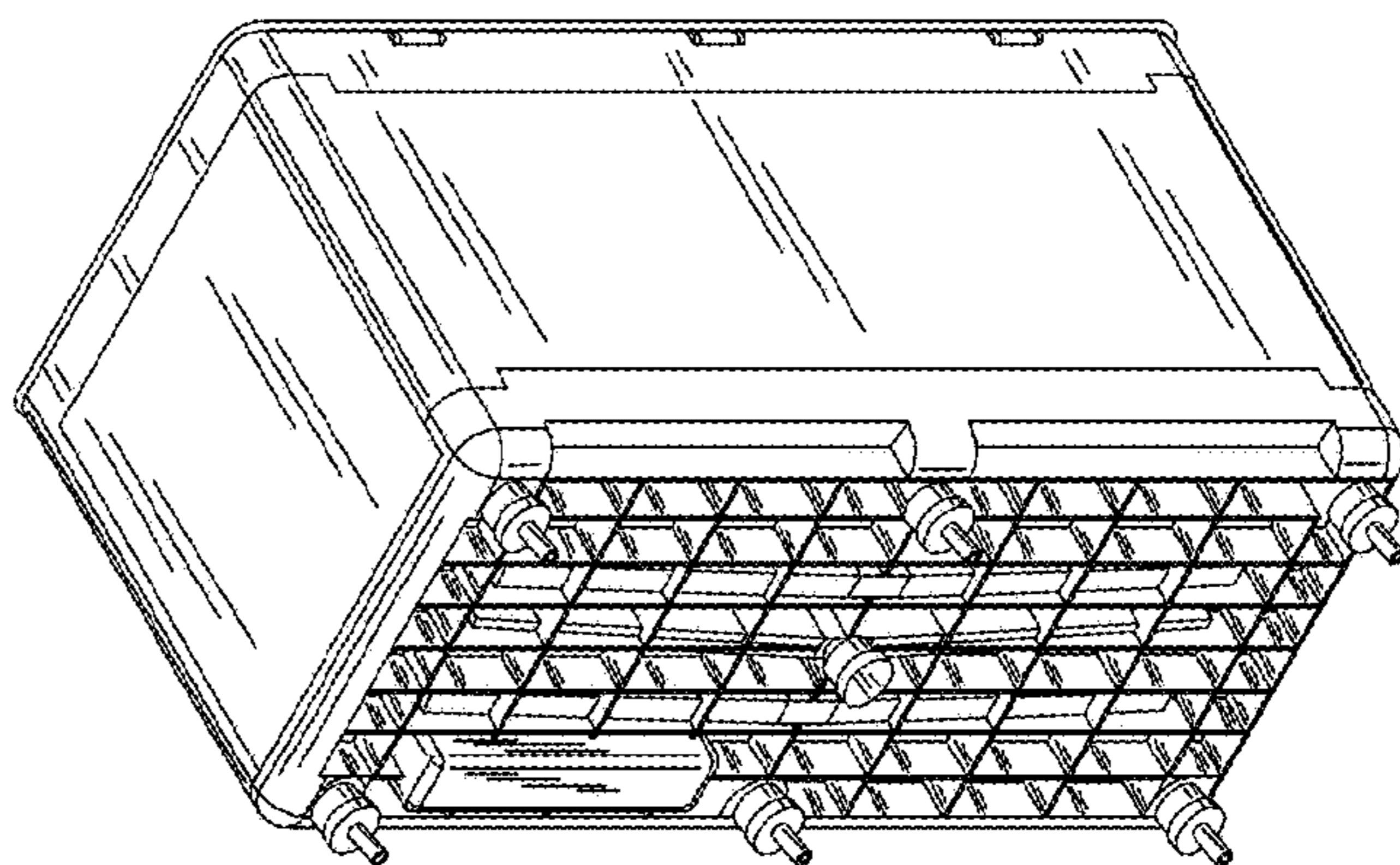
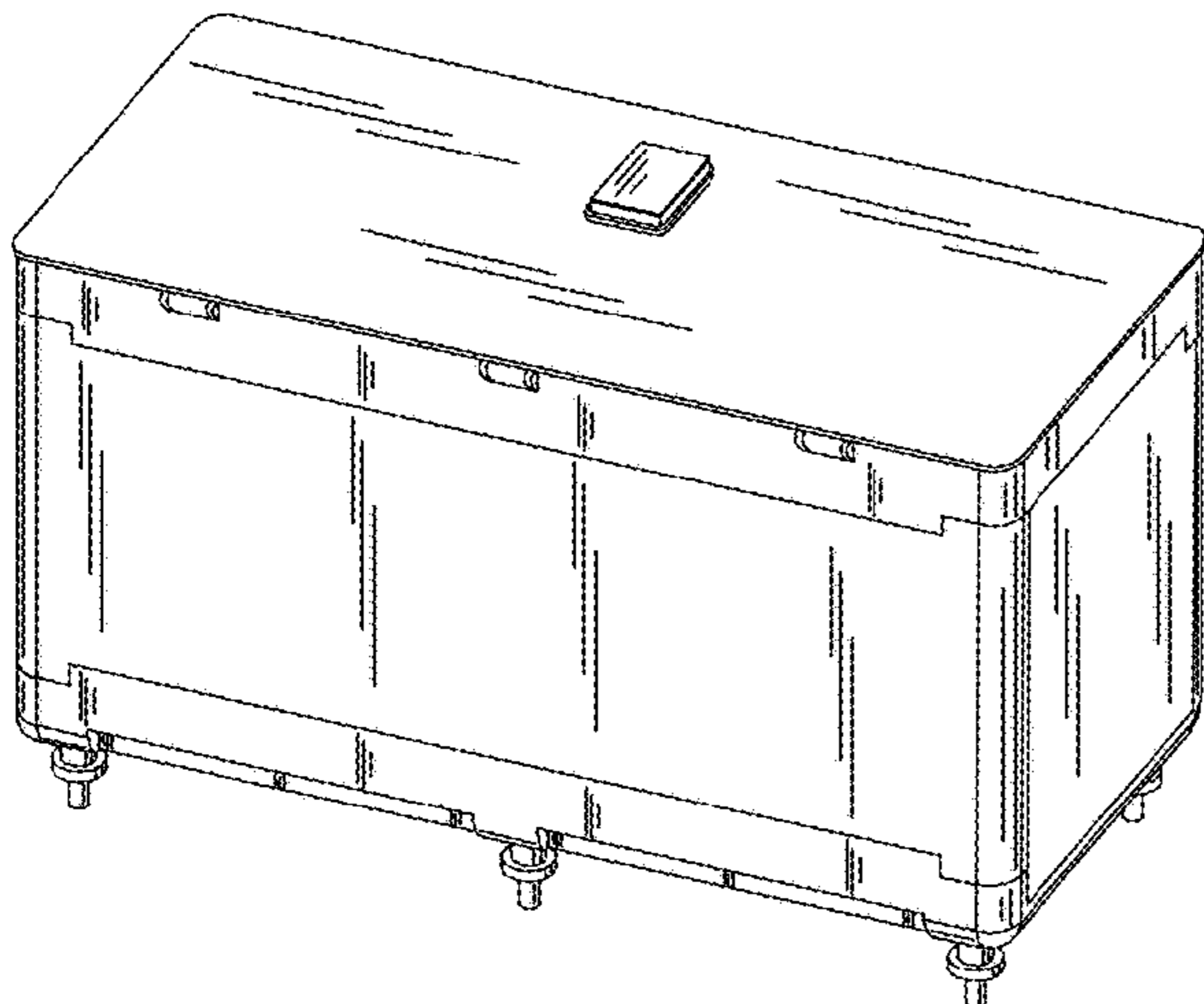


FIG. 18 is a rear view of the lock box in its assembled and open position;  
 FIG. 19 is a bottom view of the lock box in its assembled and open position;  
 FIG. 20 is a left side view of the lock box in its assembled and open position;  
 FIG. 21 is a cross-section left side view of the lock box in its assembled and open position; and,  
 FIG. 22 is a cross-section front view of the lock box in its assembled and open position.  
 Right side views not shown are mirror images of the left side views.

**1 Claim, 13 Drawing Sheets**

(58) **Field of Classification Search**

USPC ..... D3/312, 309, 307, 304, 303, 305;  
 220/1.5, 6, 600, 4.33  
 CPC ..... B65D 2519/00288; B65D 25/005; B65D  
 19/18; B65D 21/086; B65D 11/14; B65D  
 11/1833; E05C 3/046; E05B 65/0841;  
 E05B 17/2053; E05B 39/007; E05B 9/02;  
 E05B 3/04

See application file for complete search history.

(56) **References Cited**

U.S. PATENT DOCUMENTS

7,784,631 B2\* 8/2010 Winn ..... B65D 19/06  
 220/6  
 2004/0178196 A1\* 9/2004 Sholinder ..... B65F 1/1615  
 220/4.33  
 2004/0222221 A1\* 11/2004 Rader ..... B65D 11/184  
 220/6

2005/0150892 A1\* 7/2005 Miller ..... B65D 19/18  
 220/324  
 2009/0261093 A1\* 10/2009 Fullerton ..... B65D 9/22  
 220/4.28  
 2011/0132801 A1\* 6/2011 Elder ..... B65D 19/18  
 206/600  
 2011/0180533 A1\* 7/2011 Hay ..... B65D 19/18  
 220/4.28  
 2018/0029748 A1\* 2/2018 Berling ..... B65D 11/20  
 2018/0215509 A1\* 8/2018 Shoop ..... B65D 25/34  
 2019/0092529 A1\* 3/2019 Su ..... B65D 25/24  
 2020/0109004 A1\* 4/2020 Martin, Jr. .... B65D 19/18

FOREIGN PATENT DOCUMENTS

KR 300451826.0000 \* 5/2006  
 KR 300453151.0002 \* 3/2007  
 KR 300414829.0000 \* 5/2007  
 KR 300972305.0000 \* 6/2018  
 PH 3-2006-525-0001 \* 7/2006

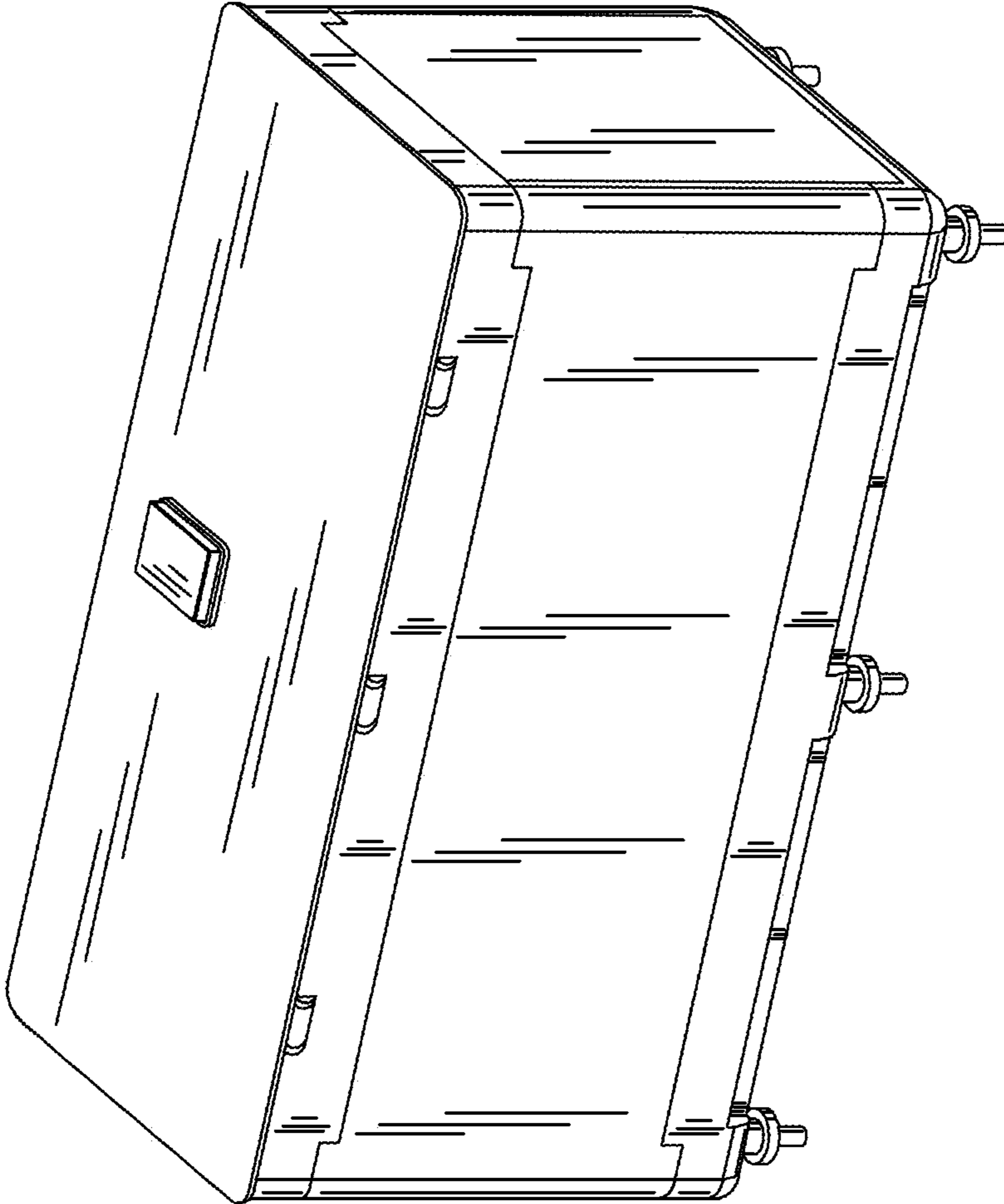
OTHER PUBLICATIONS

Screen captures from YouTube video clip entitled, Hexapak Collapsible Plastic Container by Ozkan Ozer, 5 pages, uploaded on Oct. 16, 2017, available from internet, [https://www.youtube.com/watch?v=00G3-d33-Gg&feature=emb\\_logo](https://www.youtube.com/watch?v=00G3-d33-Gg&feature=emb_logo) (Year: 2017).\*

Screen captures from YouTube video clip entitled “Collapsible Pallite pallet box”, 5 pages, uploaded on Jun. 6, 2016 by user “Pallite”. Retrieved from Internet: <https://www.youtube.com/watch?v=Mq-DJv0ghw4> (Year: 2016).\*

Screen captures from YouTube video clip entitled “heavy duty transportation fruit collapsible plastic pallet box” 6 pages, uploaded on Jun. 2, 2019 by user “Anna Zhao”. Retrieved from Internet: <https://www.youtube.com/watch?v=UPKXRtOBBss> (Year: 2019).\*

\* cited by examiner



**Fig. 1**

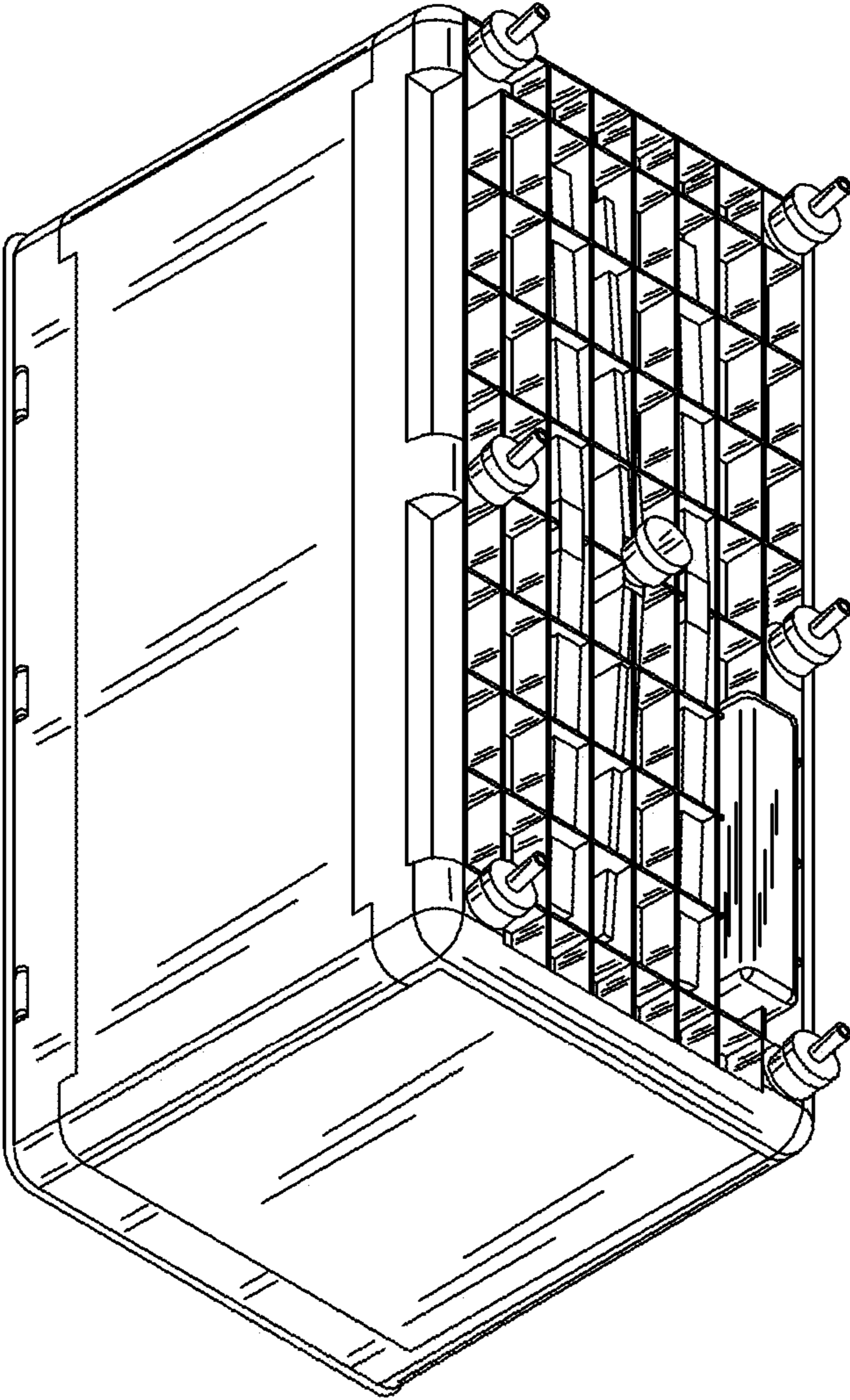
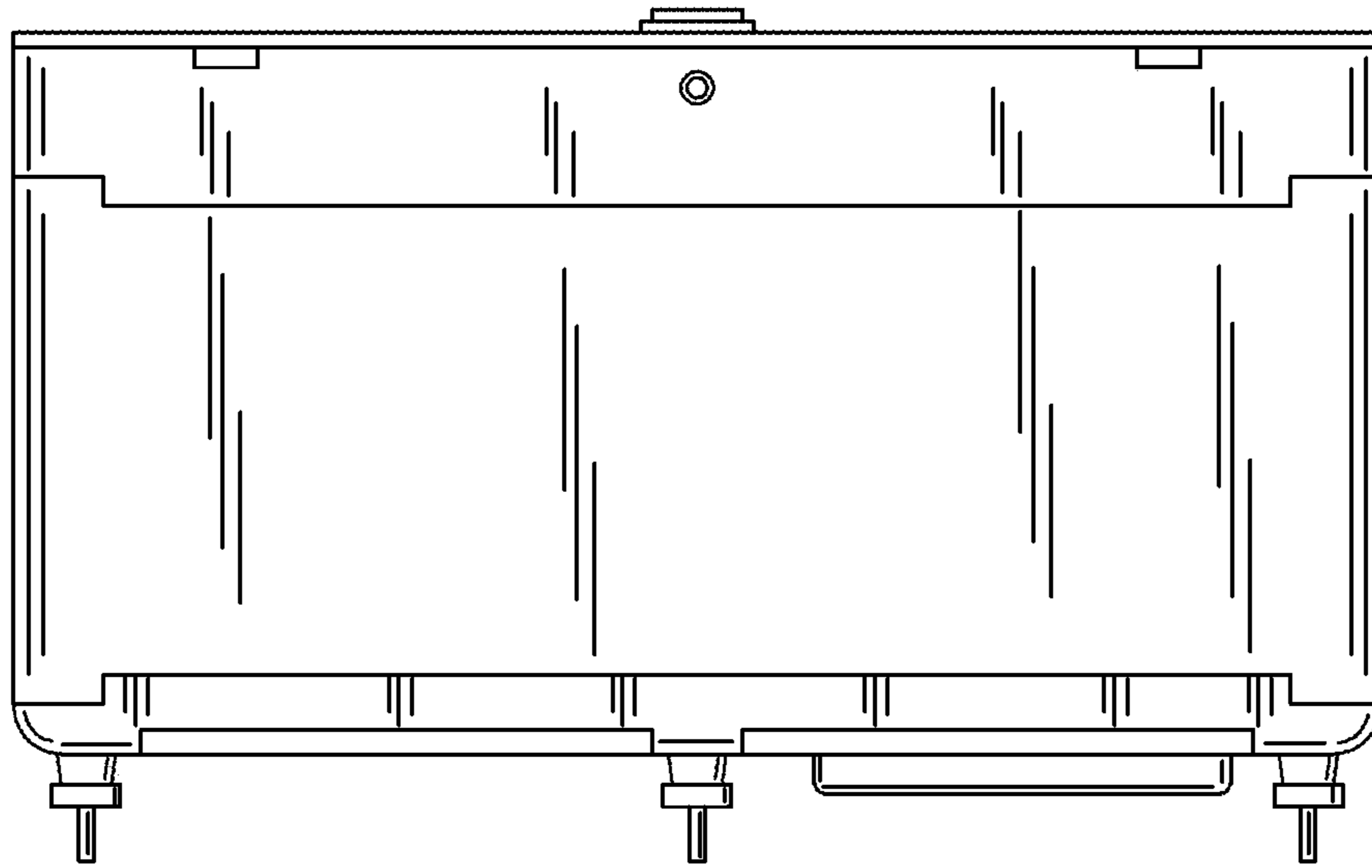
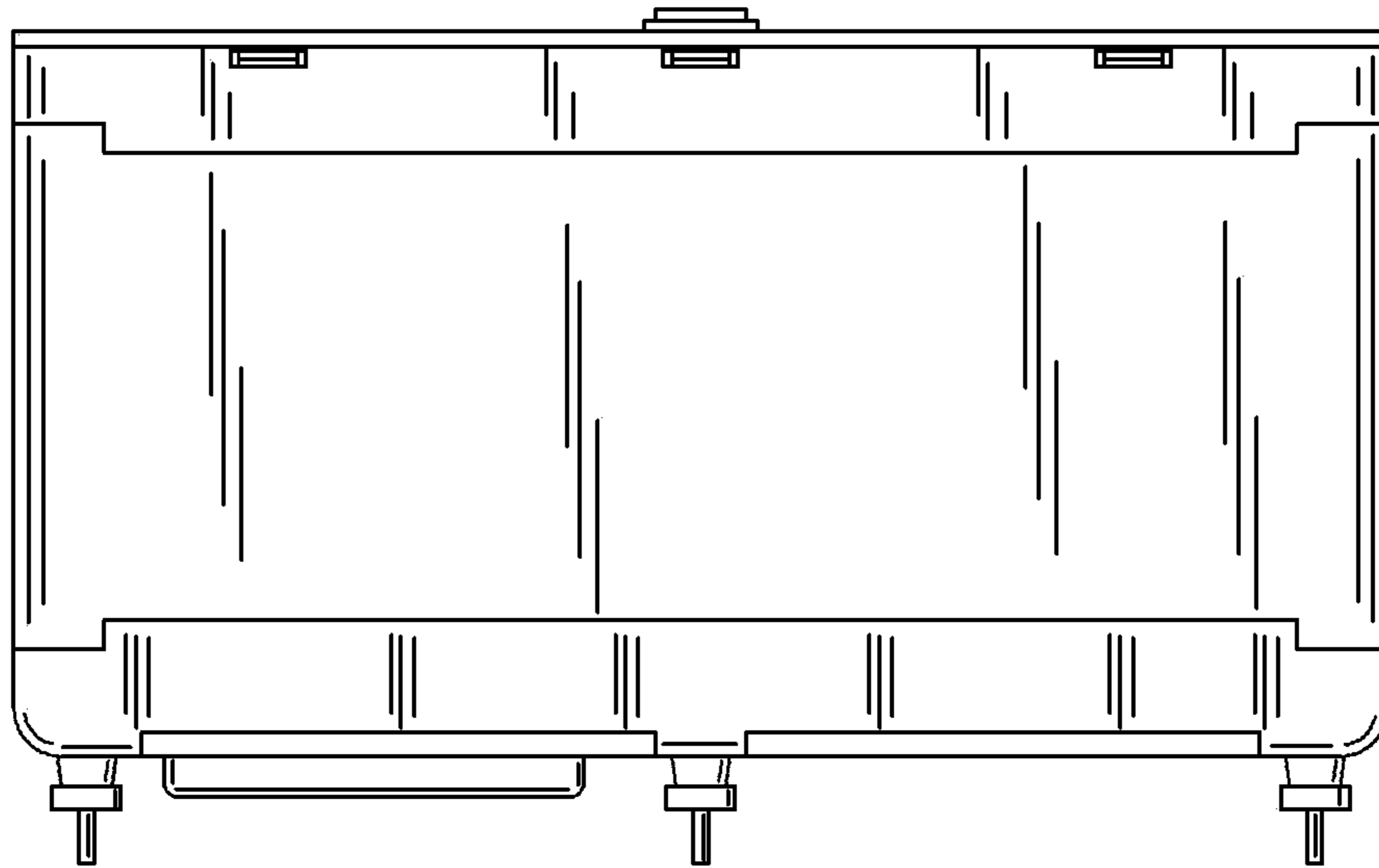


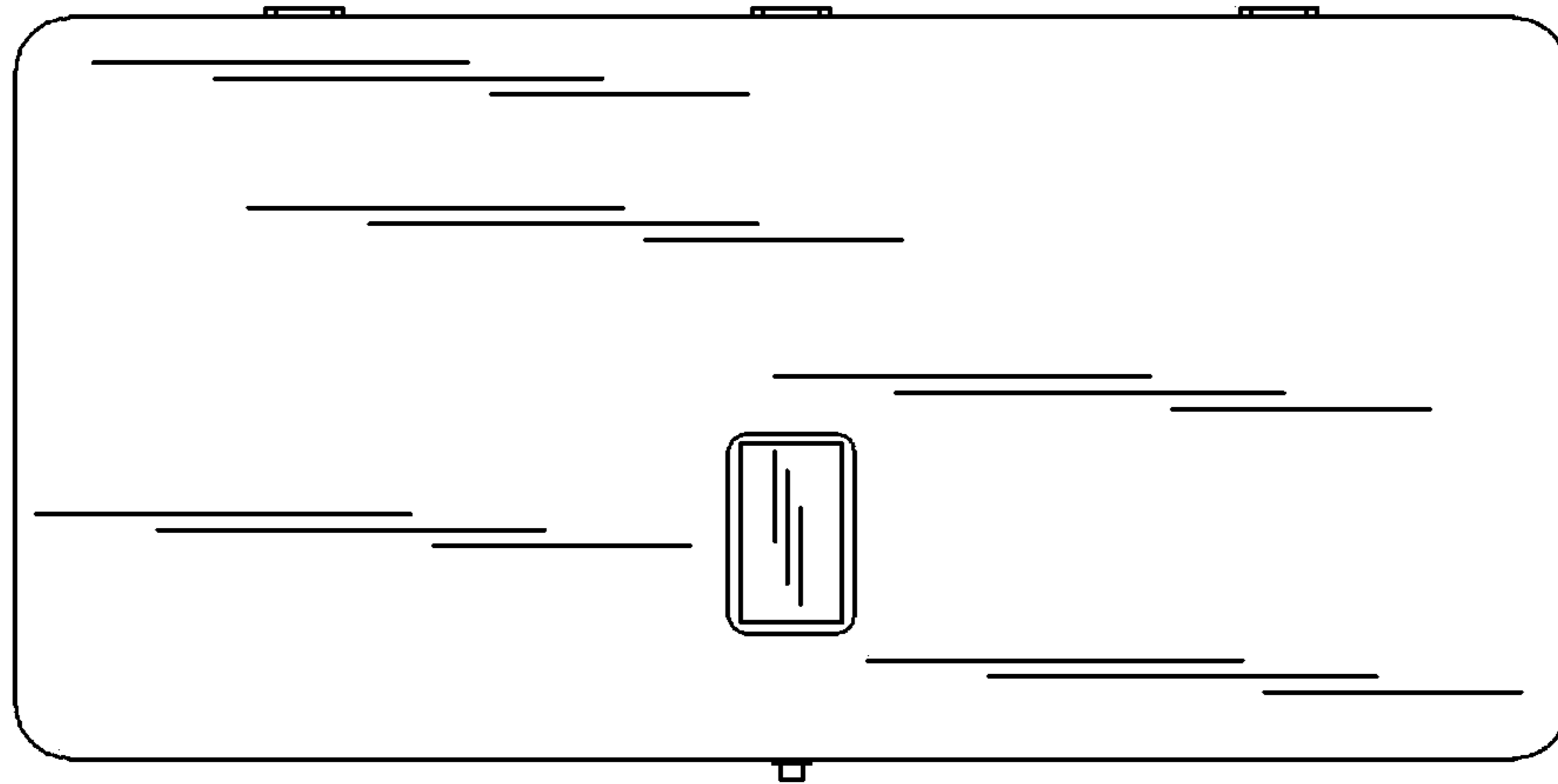
Fig. 2



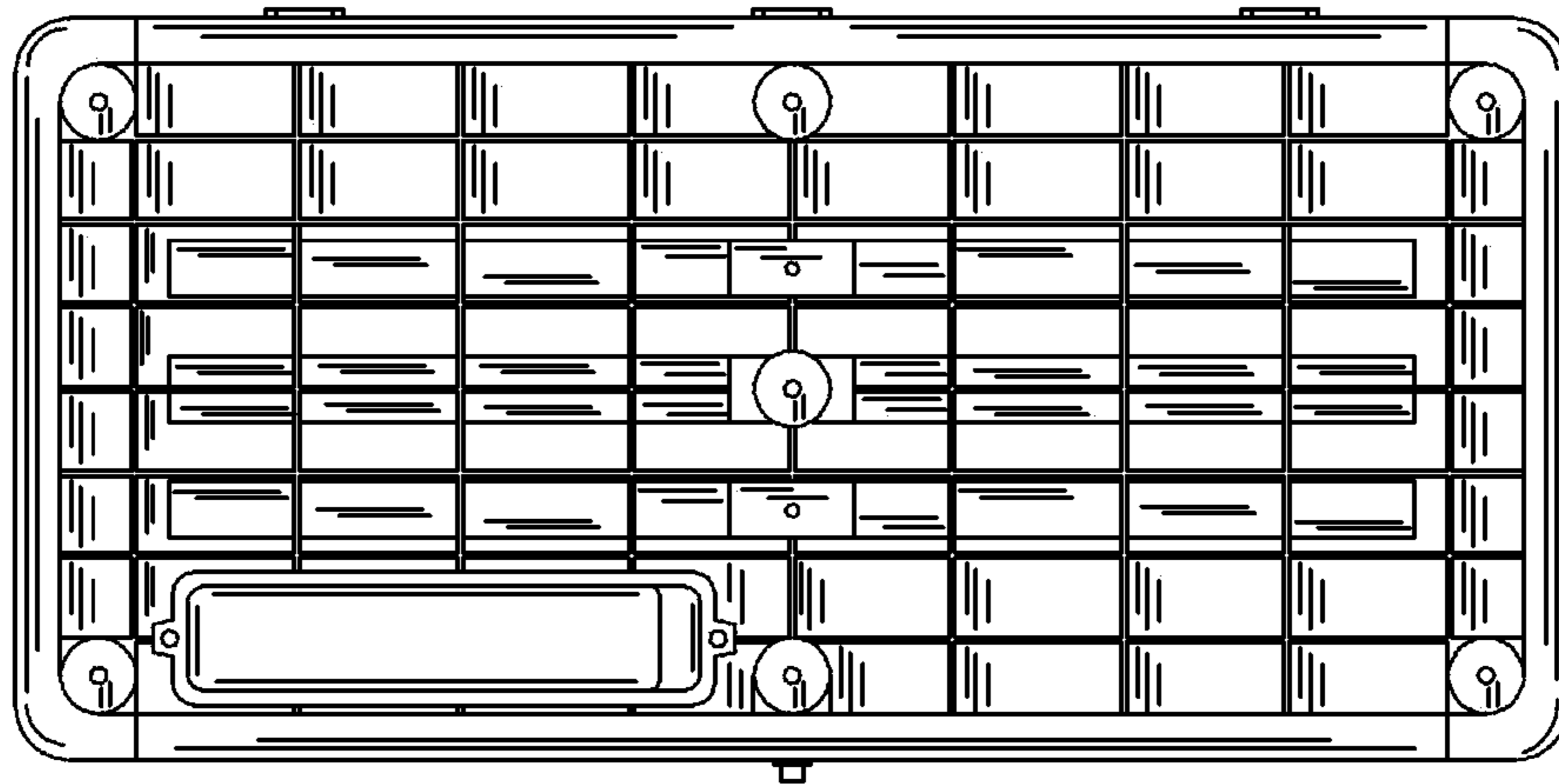
**Fig. 3**



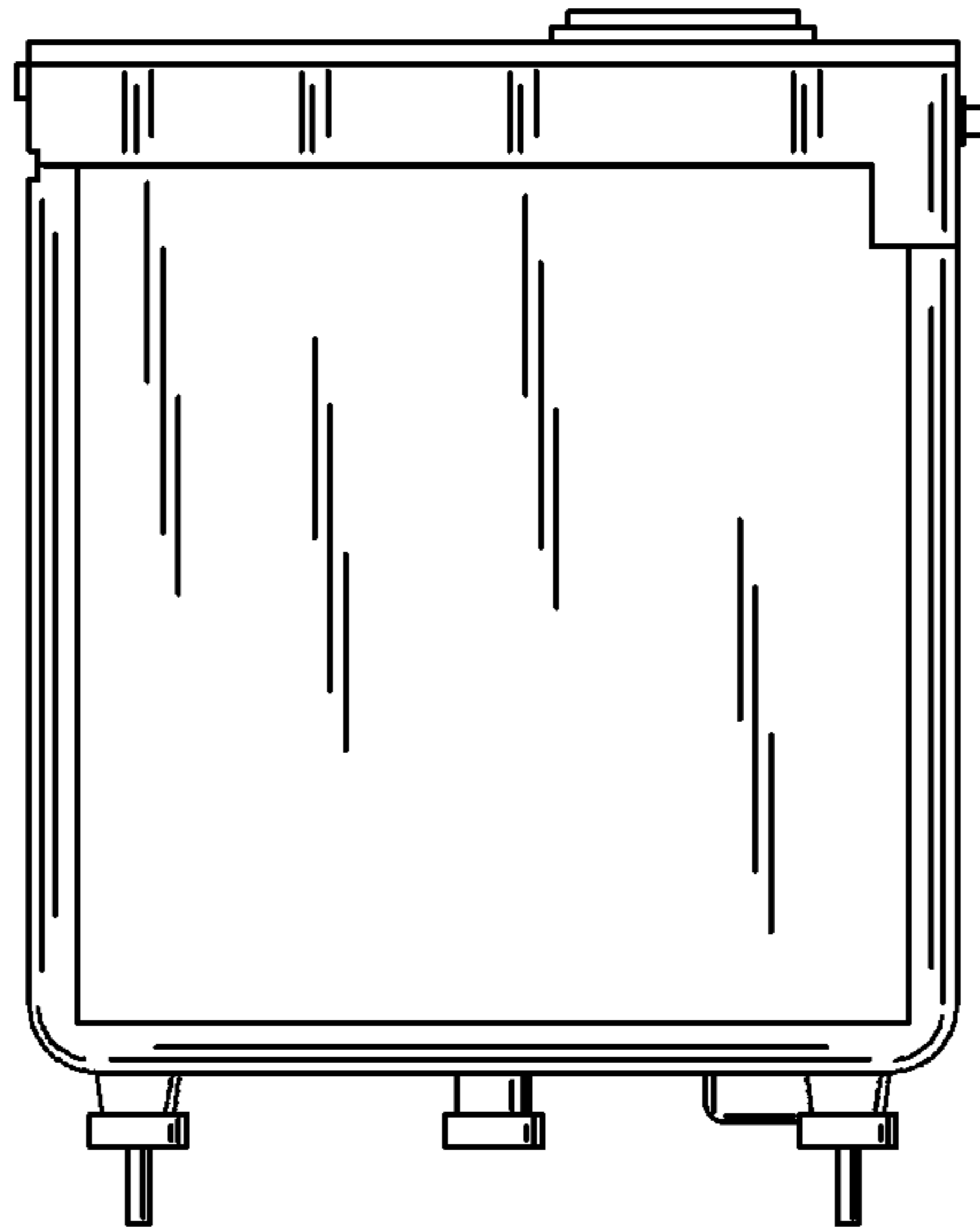
**Fig. 4**



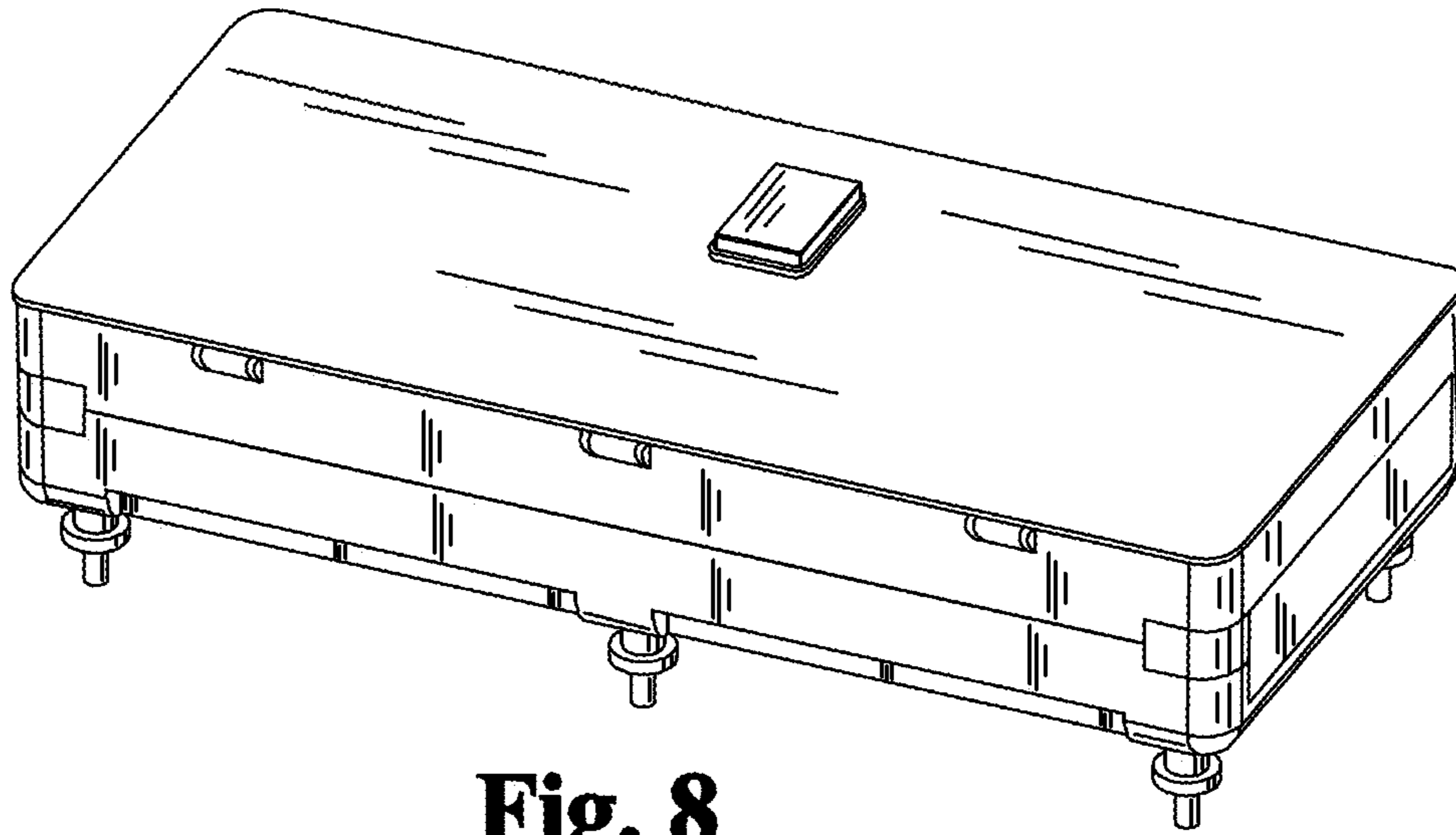
**Fig. 5**



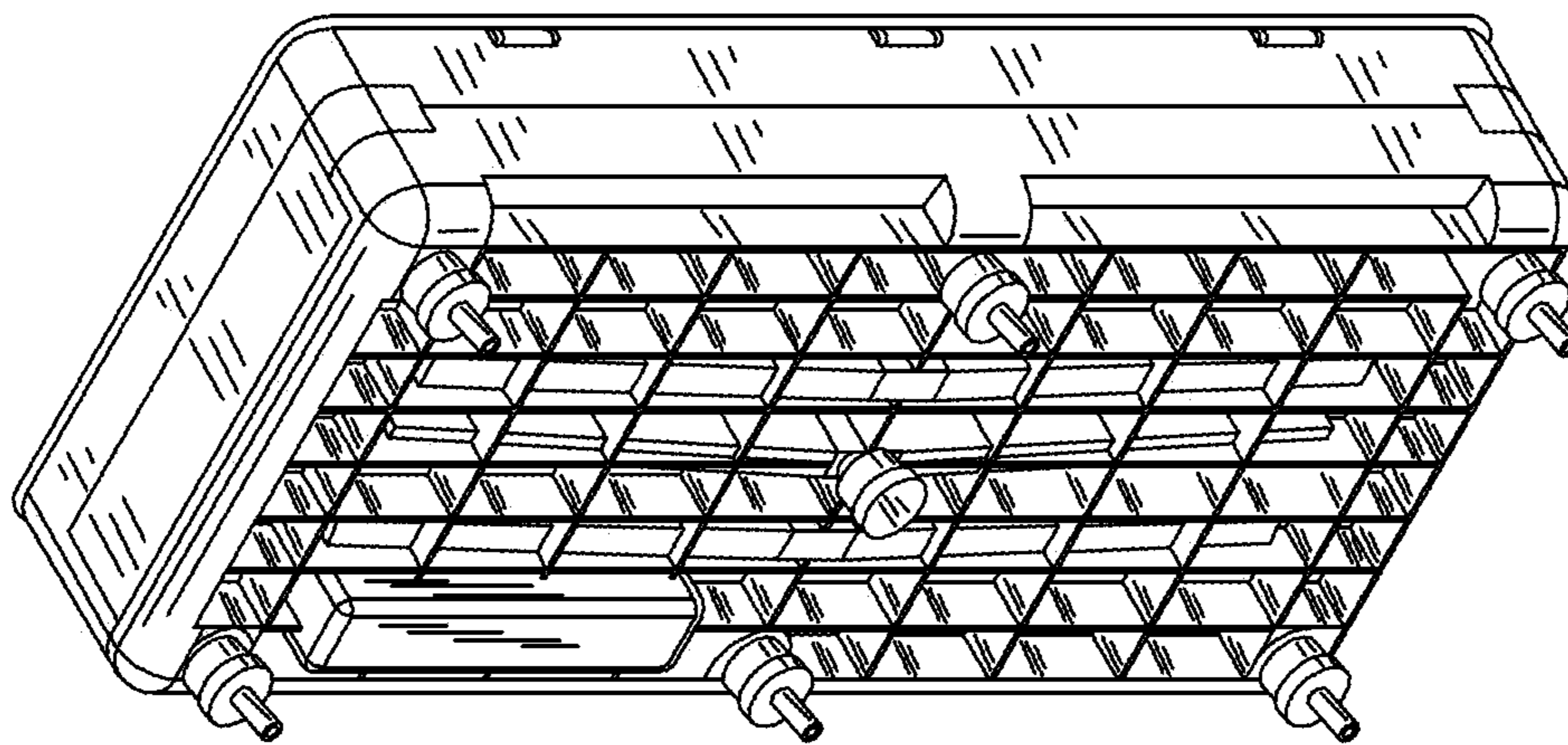
**Fig. 6**



**Fig. 7**

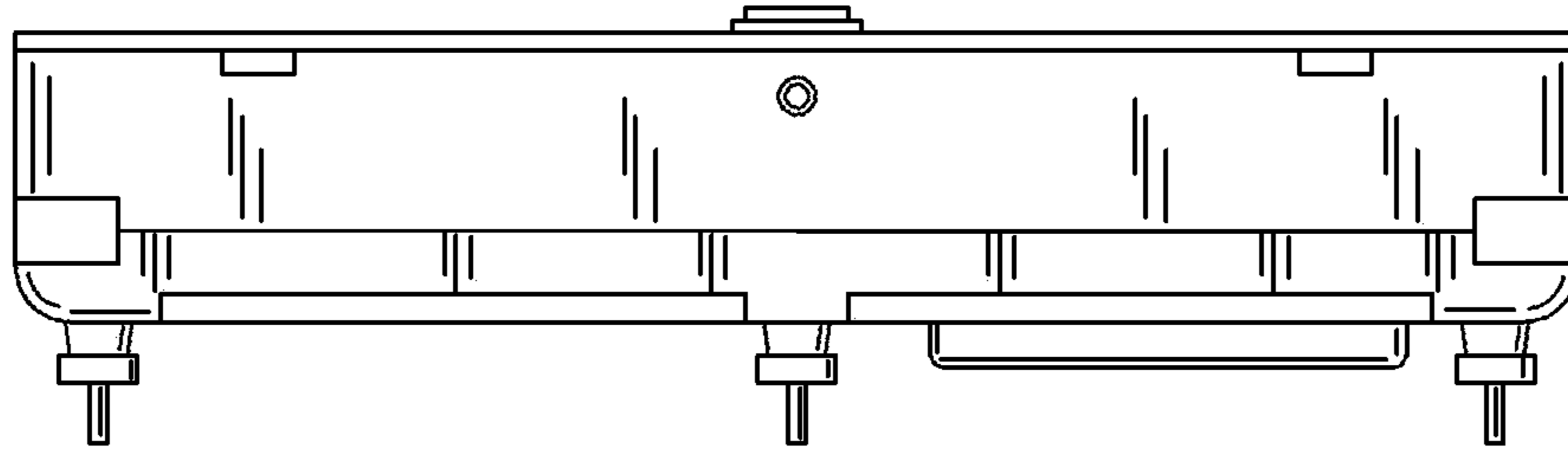


**Fig. 8**

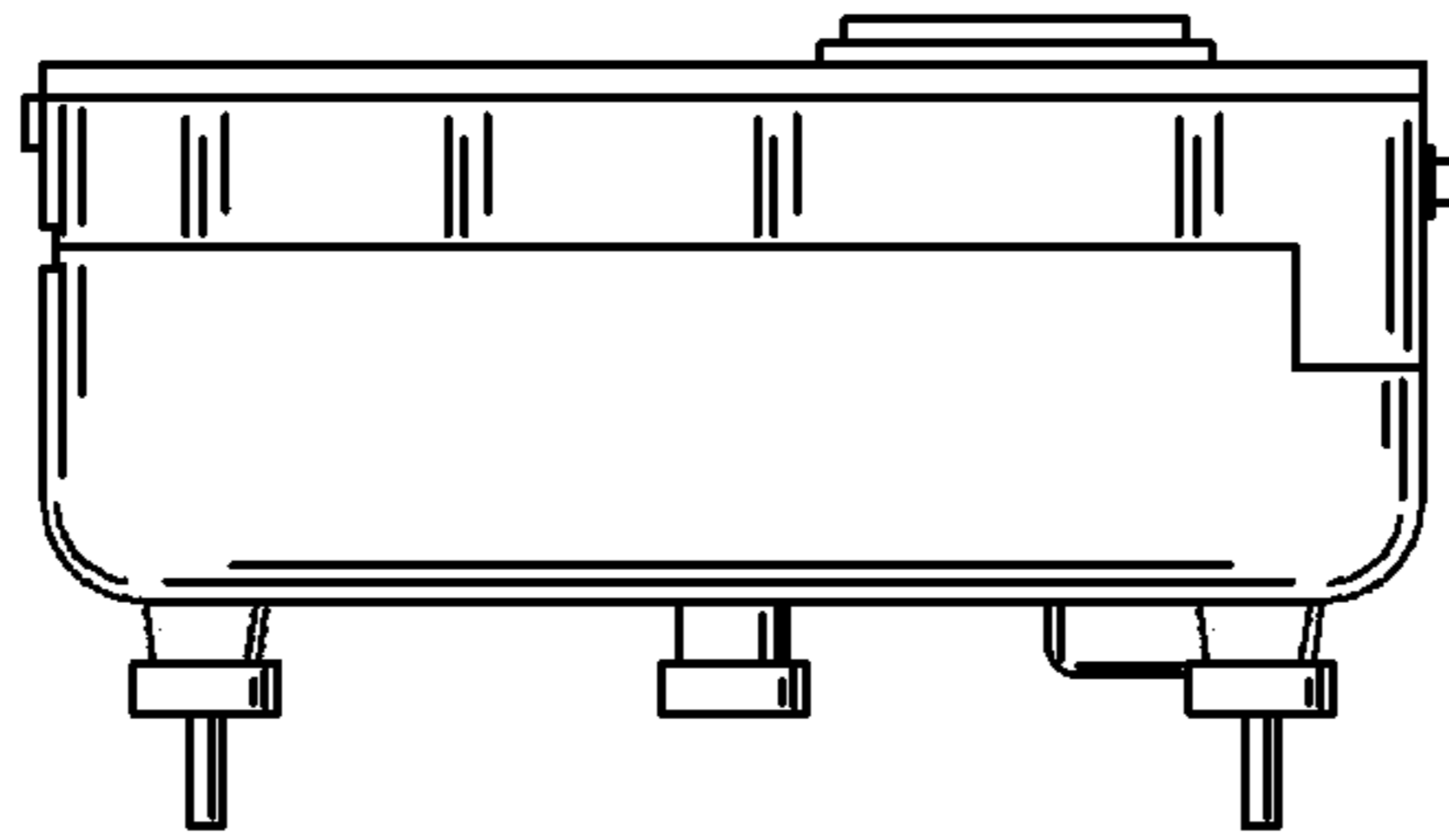


**Fig. 9**

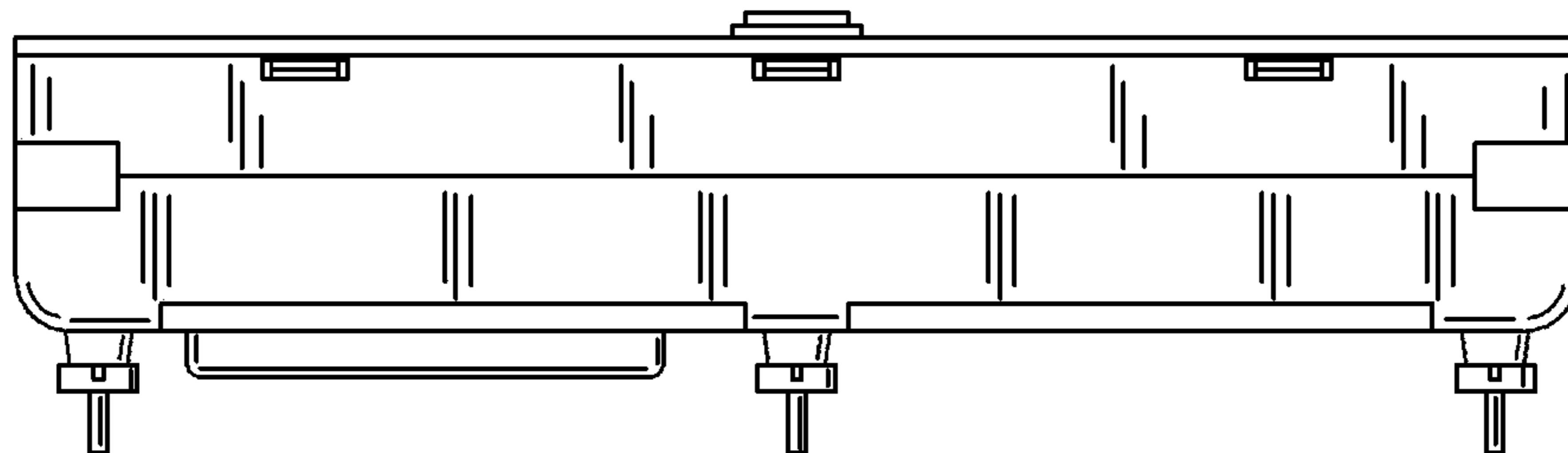




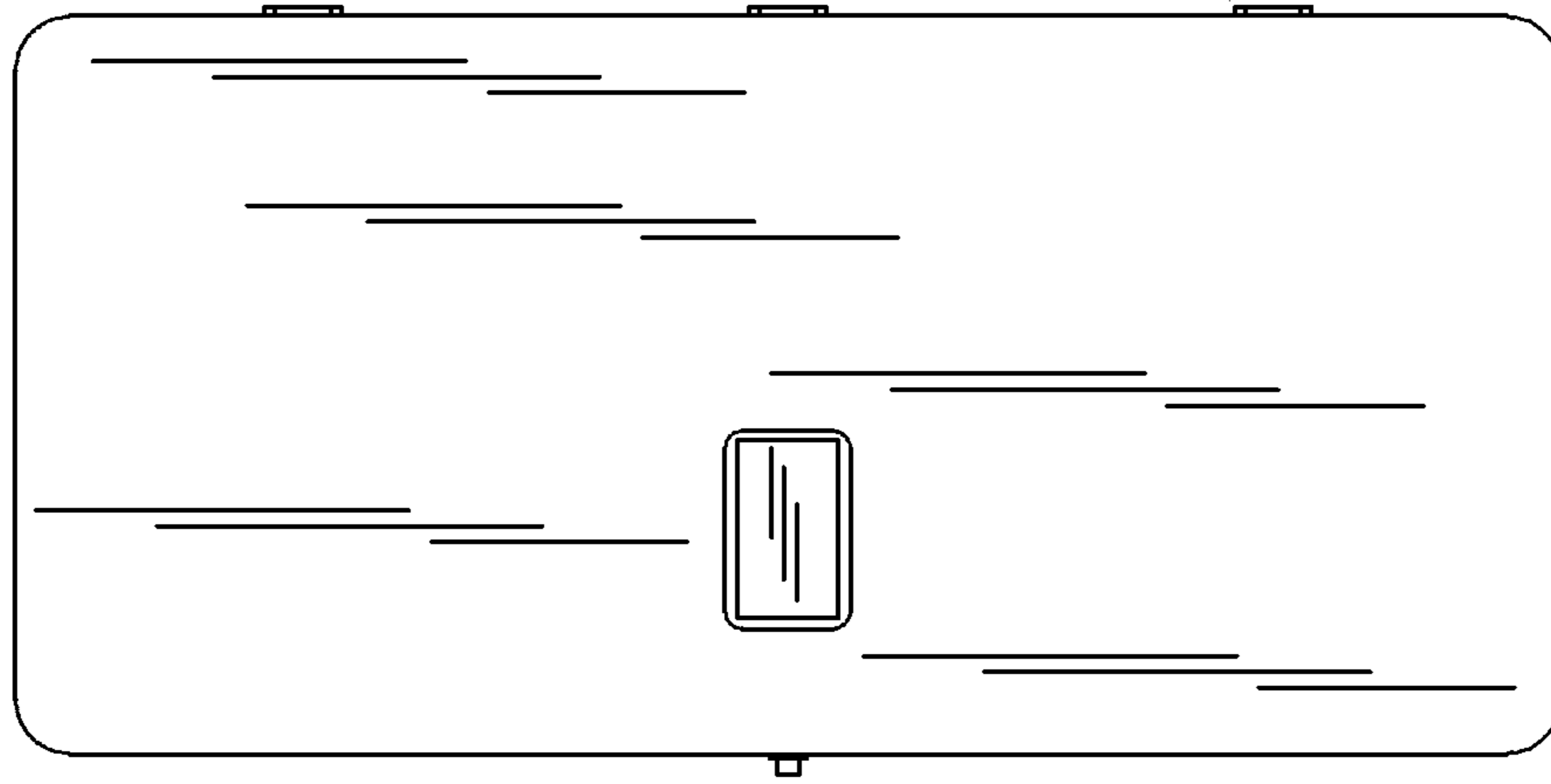
**Fig. 10**



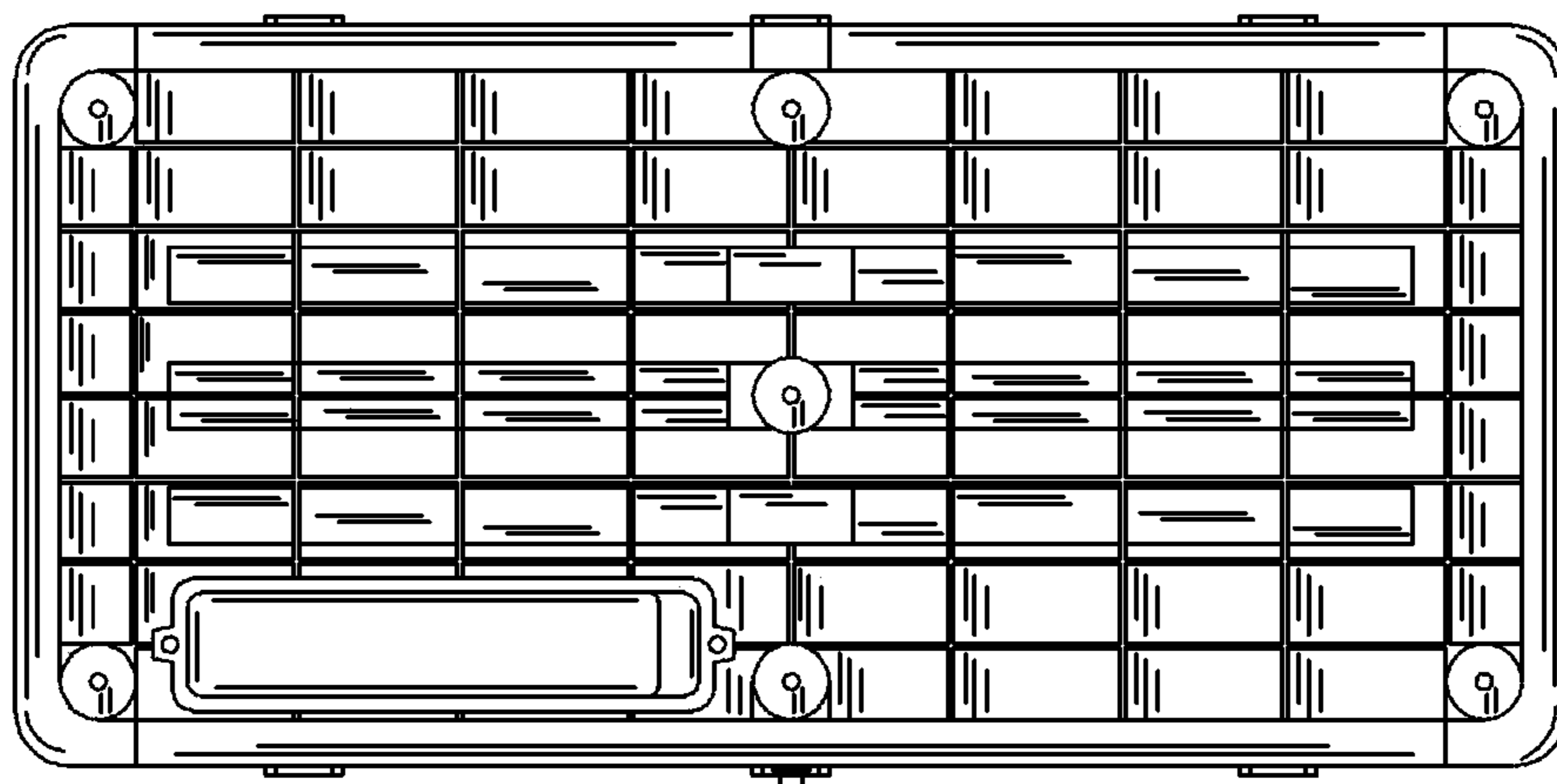
**Fig. 11**



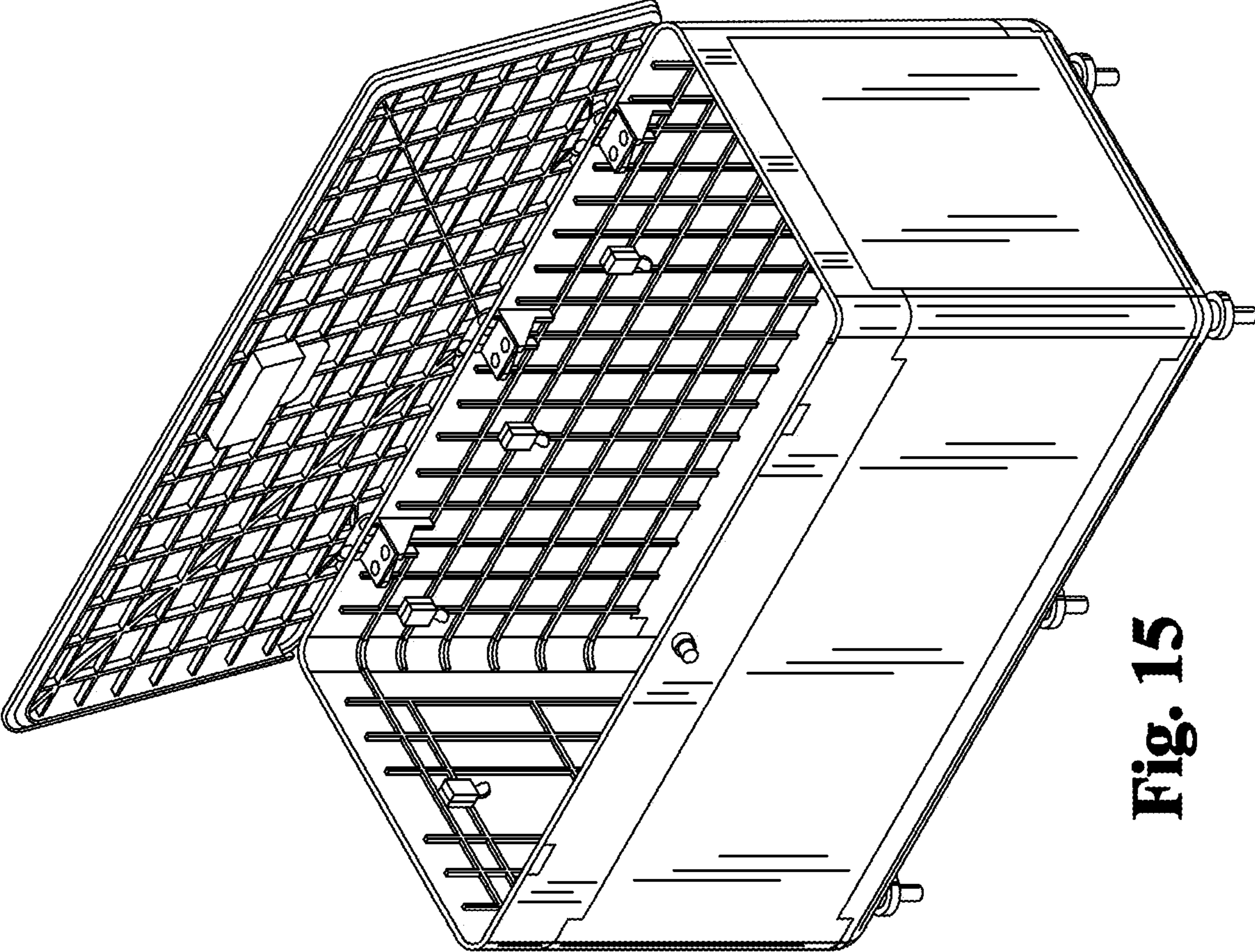
**Fig. 12**



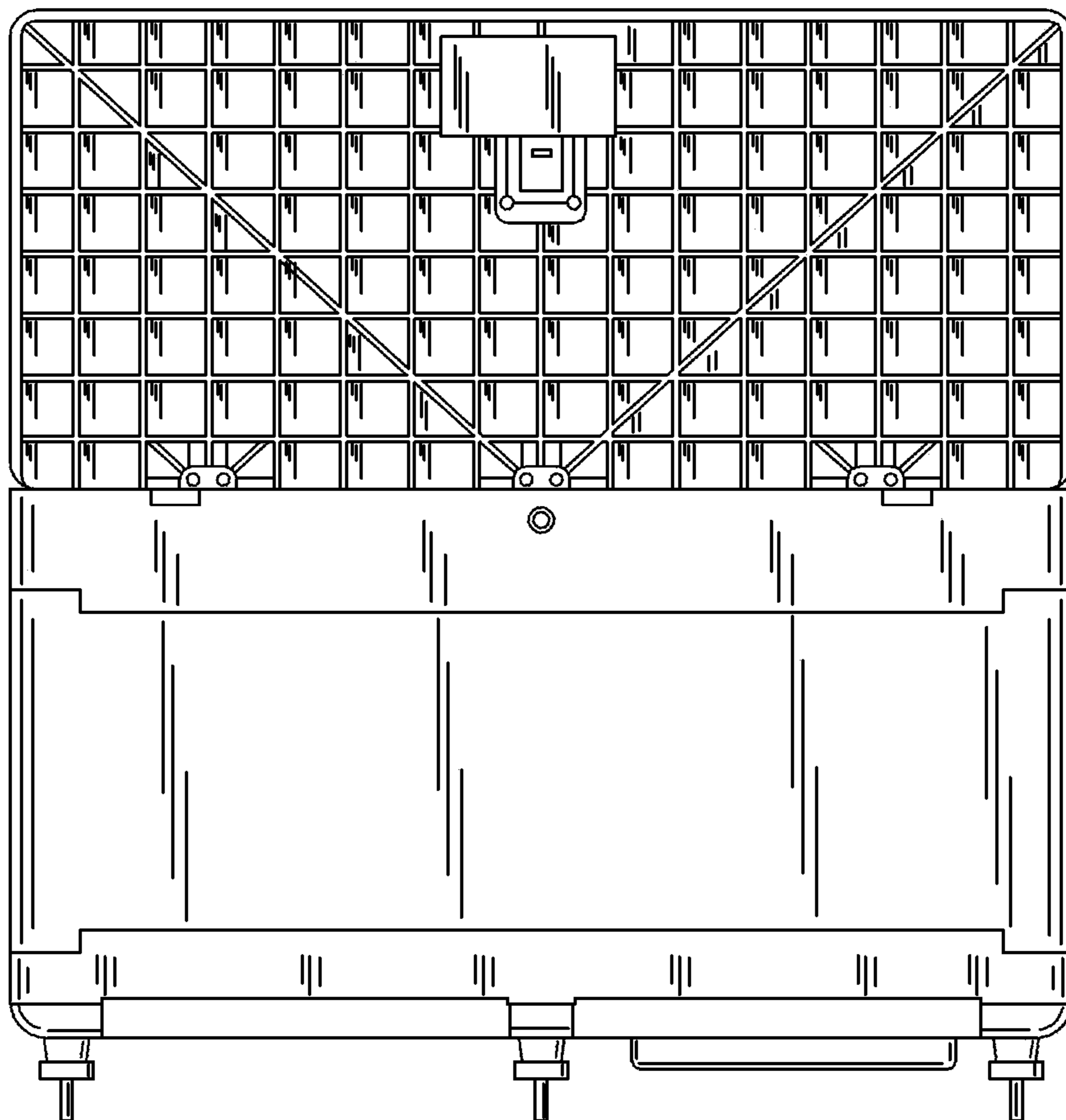
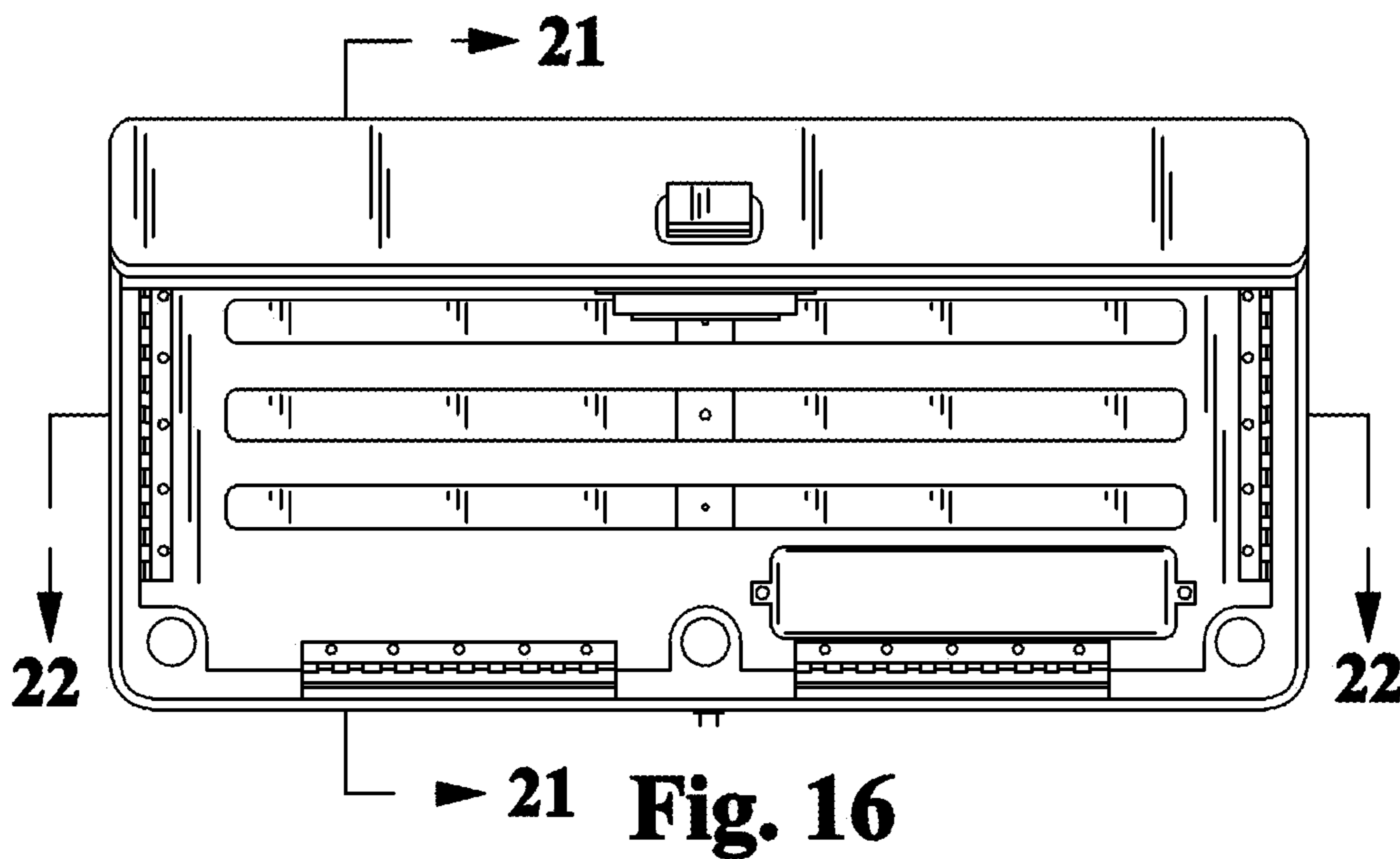
**Fig. 13**



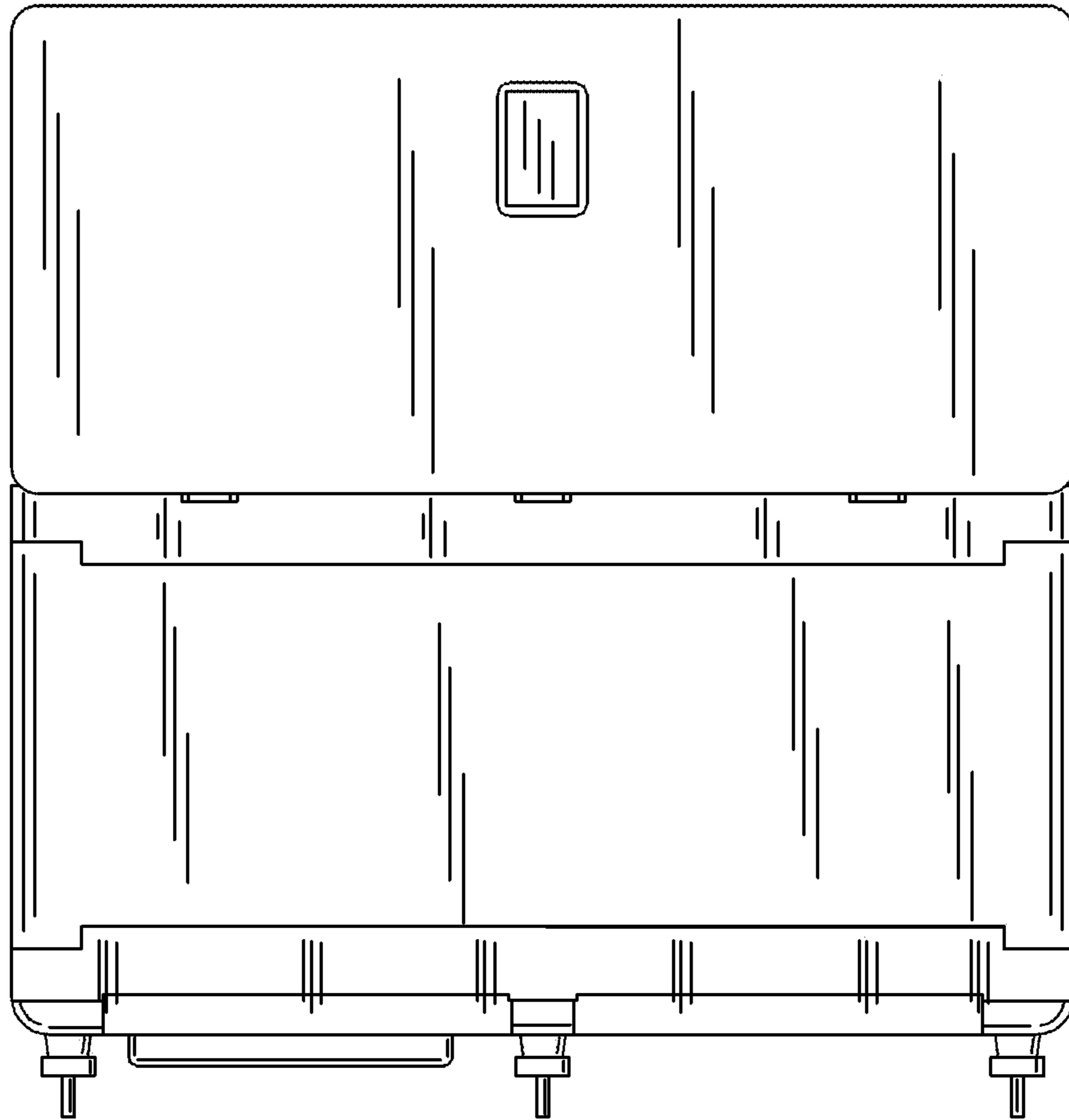
**Fig. 14**



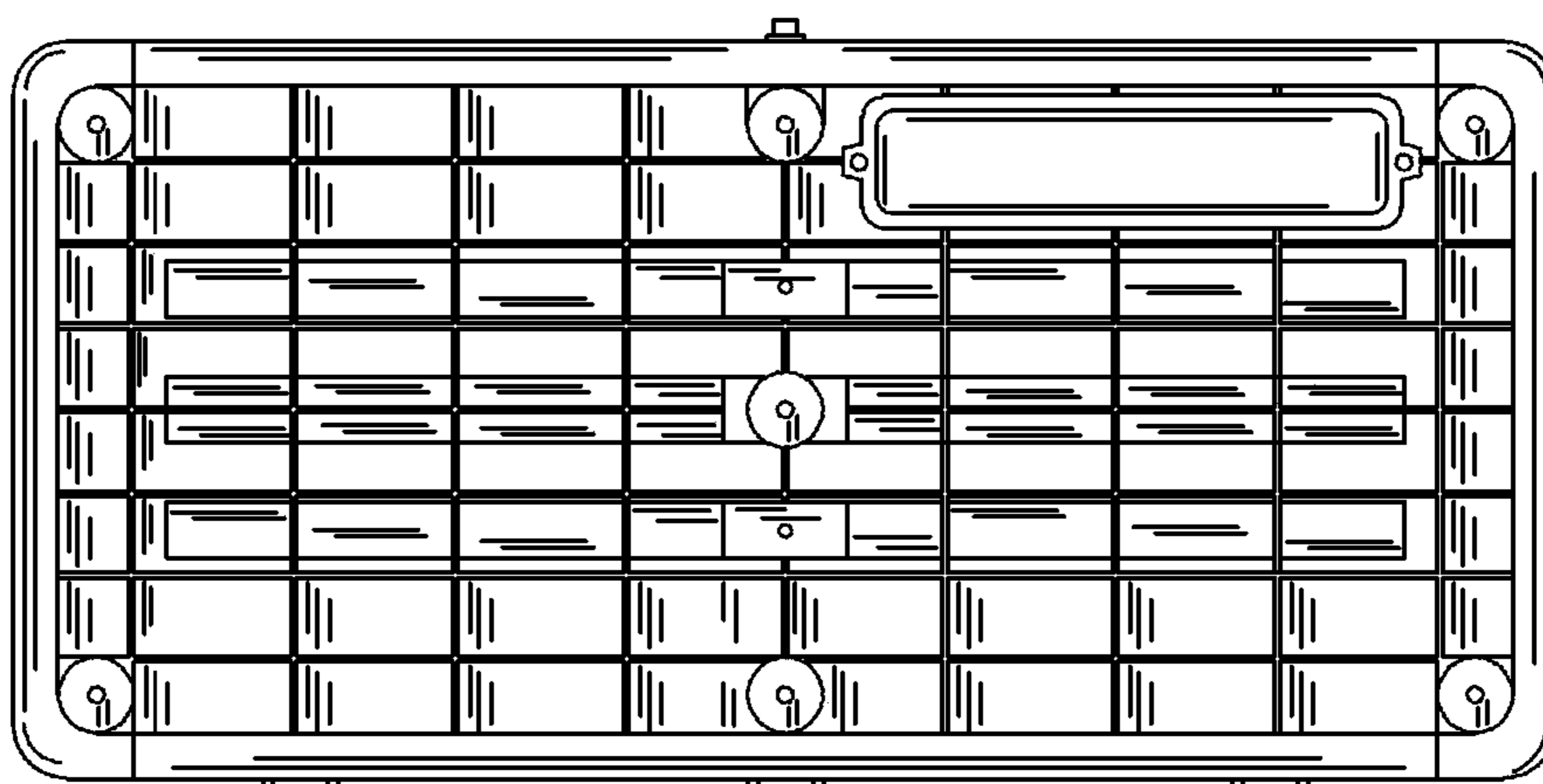
**Fig. 15**



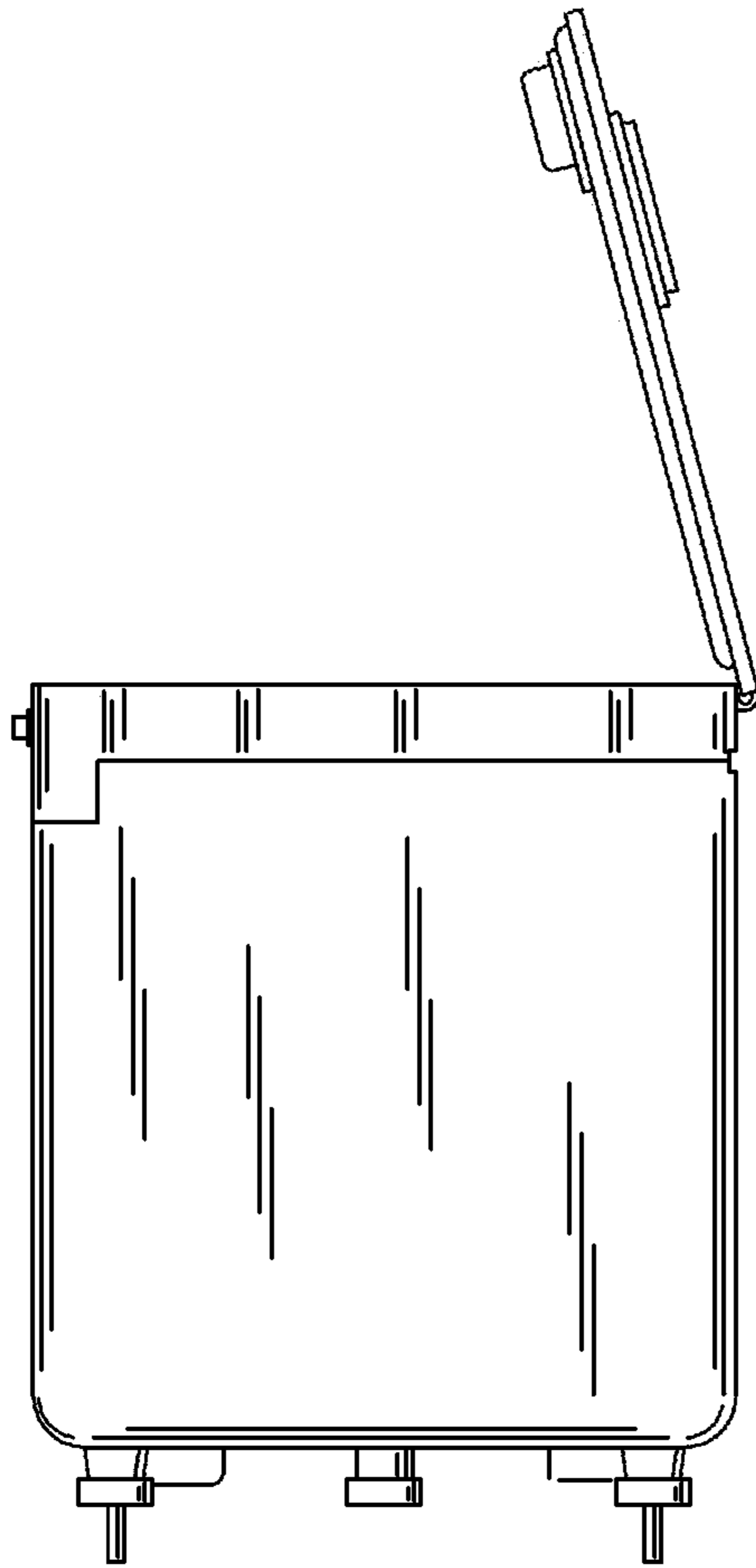
**Fig. 17**



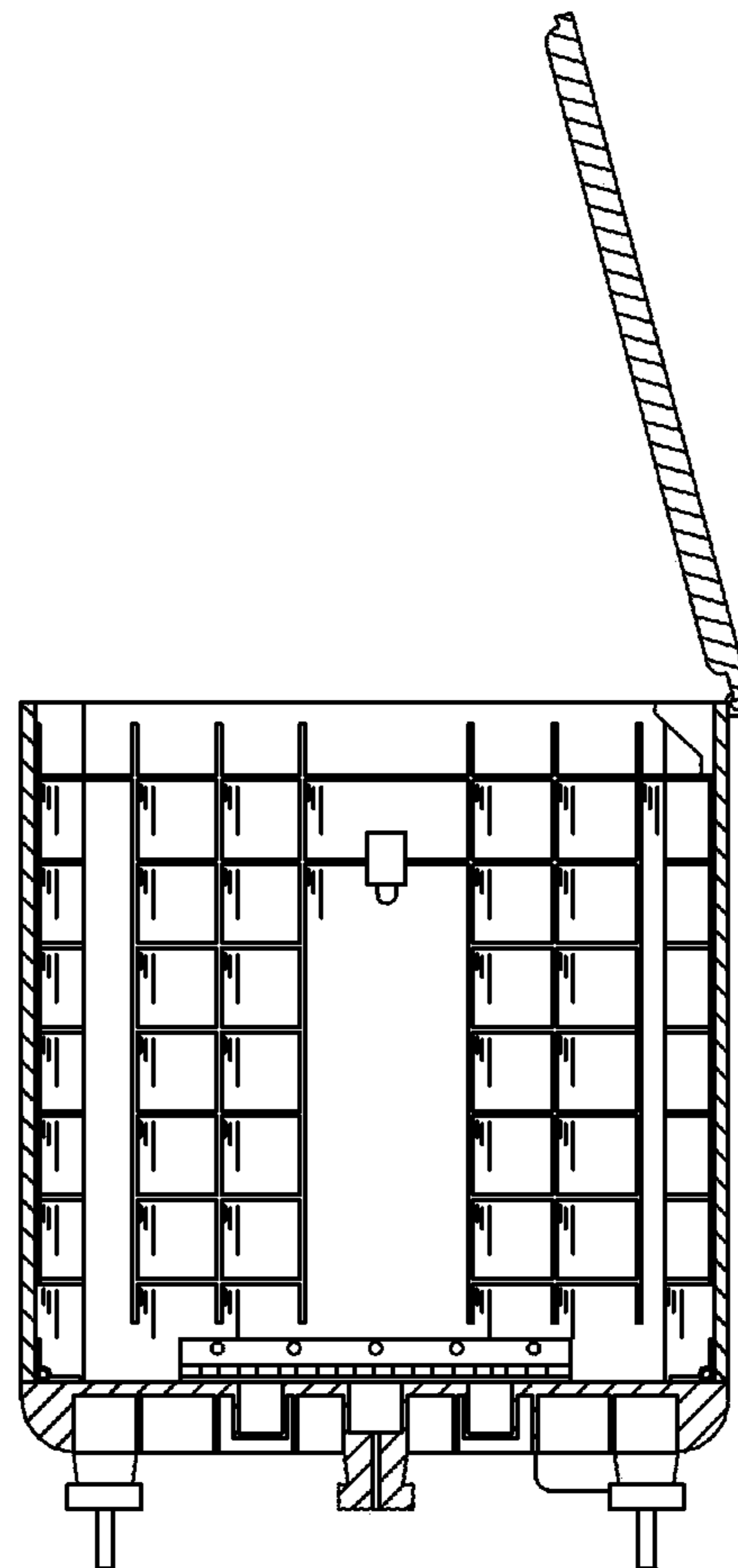
**Fig. 18**



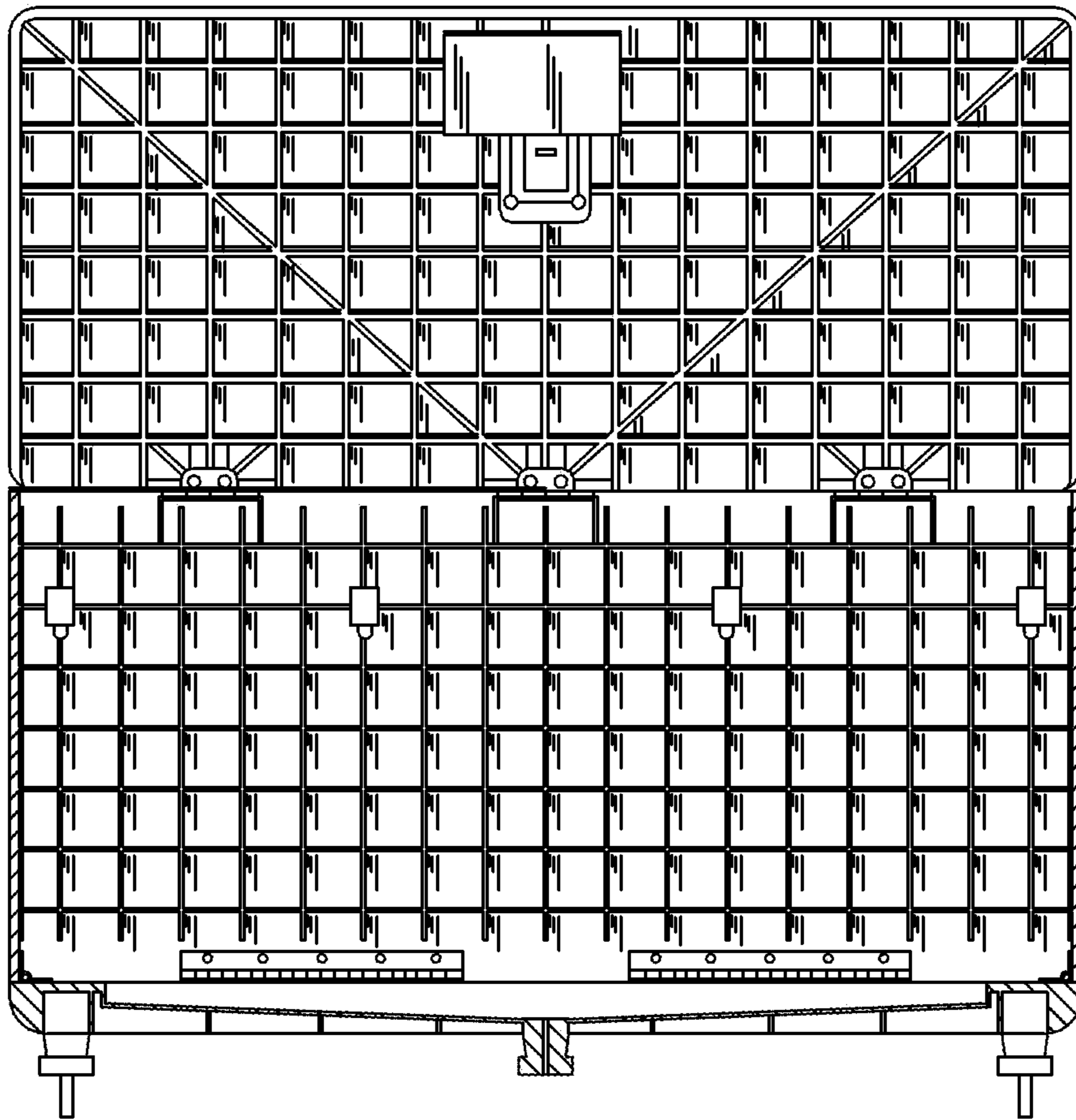
**Fig. 19**



**Fig. 20**



**Fig. 21**



**Fig. 22**