



US00D911709S

(12) **United States Design Patent** (10) **Patent No.:** **US D911,709 S**
Niehaus et al. (45) **Date of Patent:** **** Mar. 2, 2021**

(54) **TOOLBOX**

(71) Applicant: **HILTI AKTIENGESELLSCHAFT**,
Schaan (LI)

(72) Inventors: **Stephan Niehaus**, Uttwil (CH); **Heiko Tullney**, Aumühle (DE)

(73) Assignee: **Hilti Aktiengesellschaft**, Schaan (LI)

(**) Term: **15 Years**

(21) Appl. No.: **35/505,986**

(22) Filed: **May 9, 2018**

(80) **Hague Agreement Data**

Int. Filing Date: **May 9, 2018**
 Int. Reg. No.: **DM/101288**
 Int. Reg. Date: **May 9, 2018**
 Int. Reg. Pub. Date: **Nov. 9, 2018**

(30) **Foreign Application Priority Data**

Nov. 17, 2017 (LI) 2017-997

(51) **LOC (13) Cl.** **03-01**

(52) **U.S. Cl.**
USPC **D3/281; D3/905**

(58) **Field of Classification Search**
USPC **D3/273, 276, 279-284, 288, 291, 292, D3/293, 294, 295, 297, 905**
See application file for complete search history.

(56) **References Cited**

U.S. PATENT DOCUMENTS

D154,229 S * 6/1949 Arbib D3/281
 D267,834 S * 2/1983 Yew D3/203.7

D286,231 S * 10/1986 Werk D3/281
 D319,731 S * 9/1991 Reynolds, Jr. D3/292
 D446,935 S * 8/2001 Huang D3/281
 D620,255 S * 7/2010 Chang D3/282
 D711,105 S * 8/2014 Brunner D3/281
 D719,352 S * 12/2014 Shitrit D3/282
 D753,394 S * 4/2016 Brunner D3/276
 D754,439 S * 4/2016 Ou D3/318
 D798,053 S * 9/2017 Shitrit D3/276
 D799,822 S * 10/2017 Kanda D3/276
 D836,912 S * 1/2019 Lopez Montoya D3/318

* cited by examiner

Primary Examiner — Holly E Thurman

(74) *Attorney, Agent, or Firm* — Crowell & Moring LLP

(57) **CLAIM**

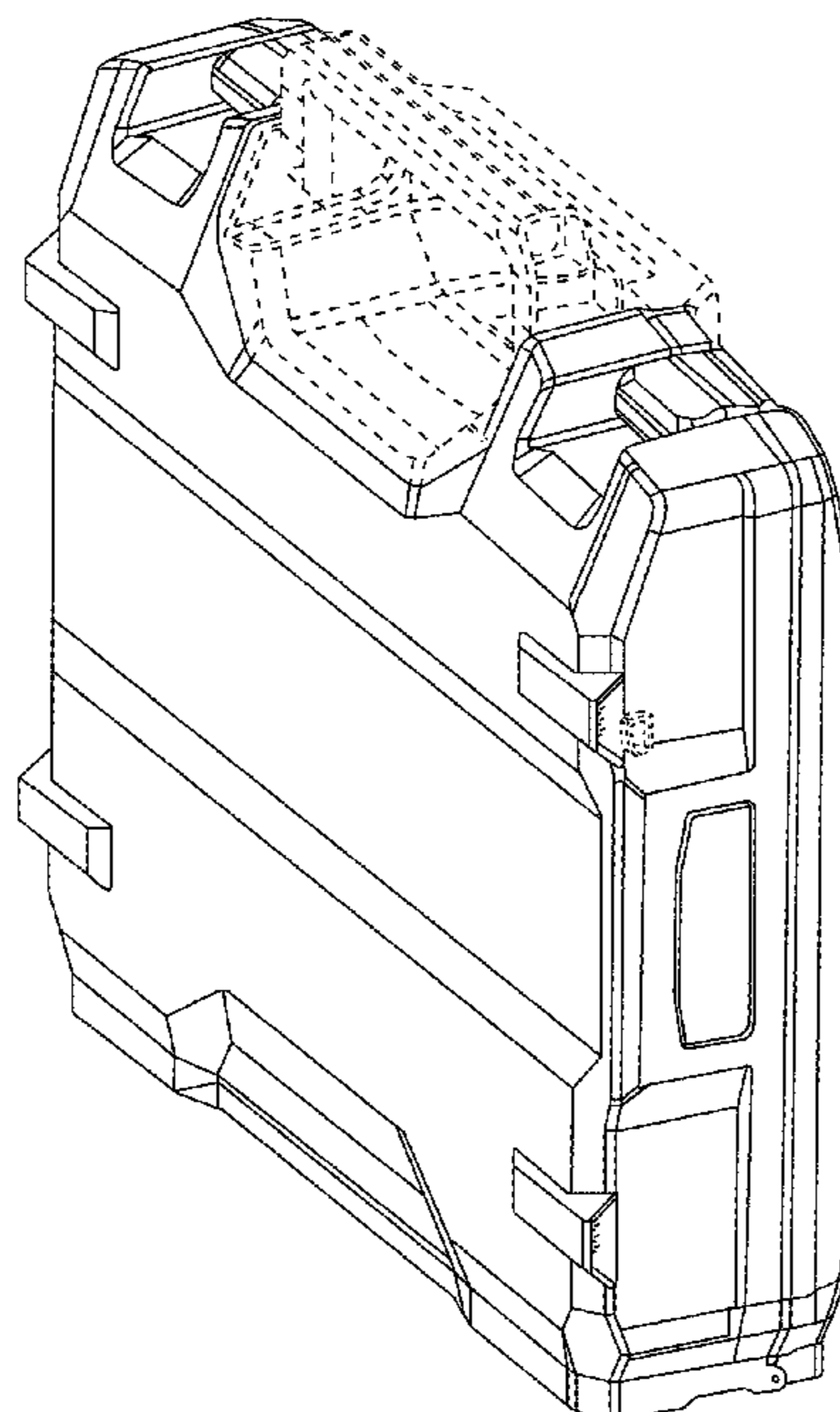
The ornamental design for a toolbox, as shown and described.

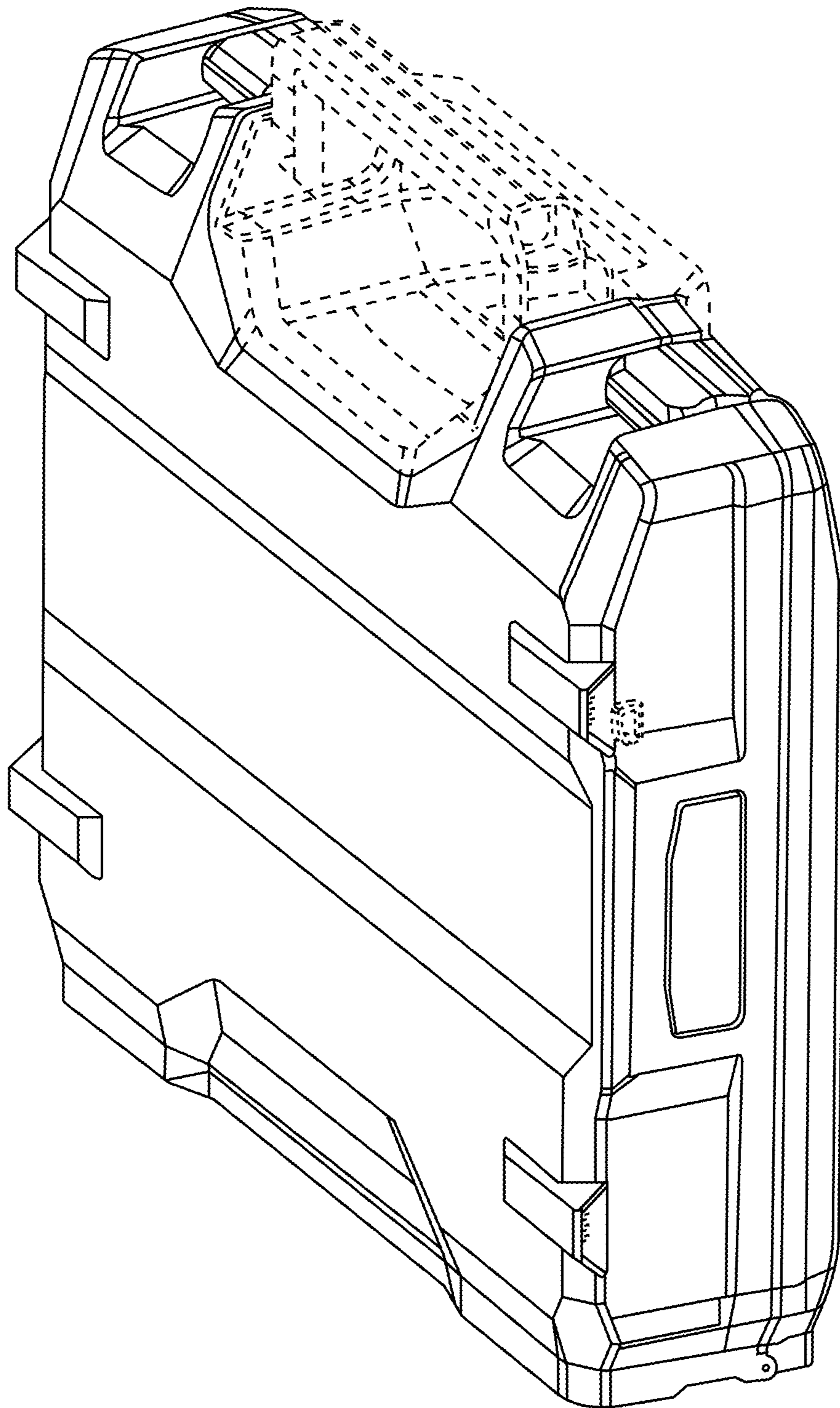
DESCRIPTION

- 2. Toolbox
- 2.1 : Perspective
- 2.2 : Perspective
- 2.3 : Front
- 2.4 : Back
- 2.5 : Left
- 2.6 : Right
- 2.7 : Top
- 2.8 : Bottom

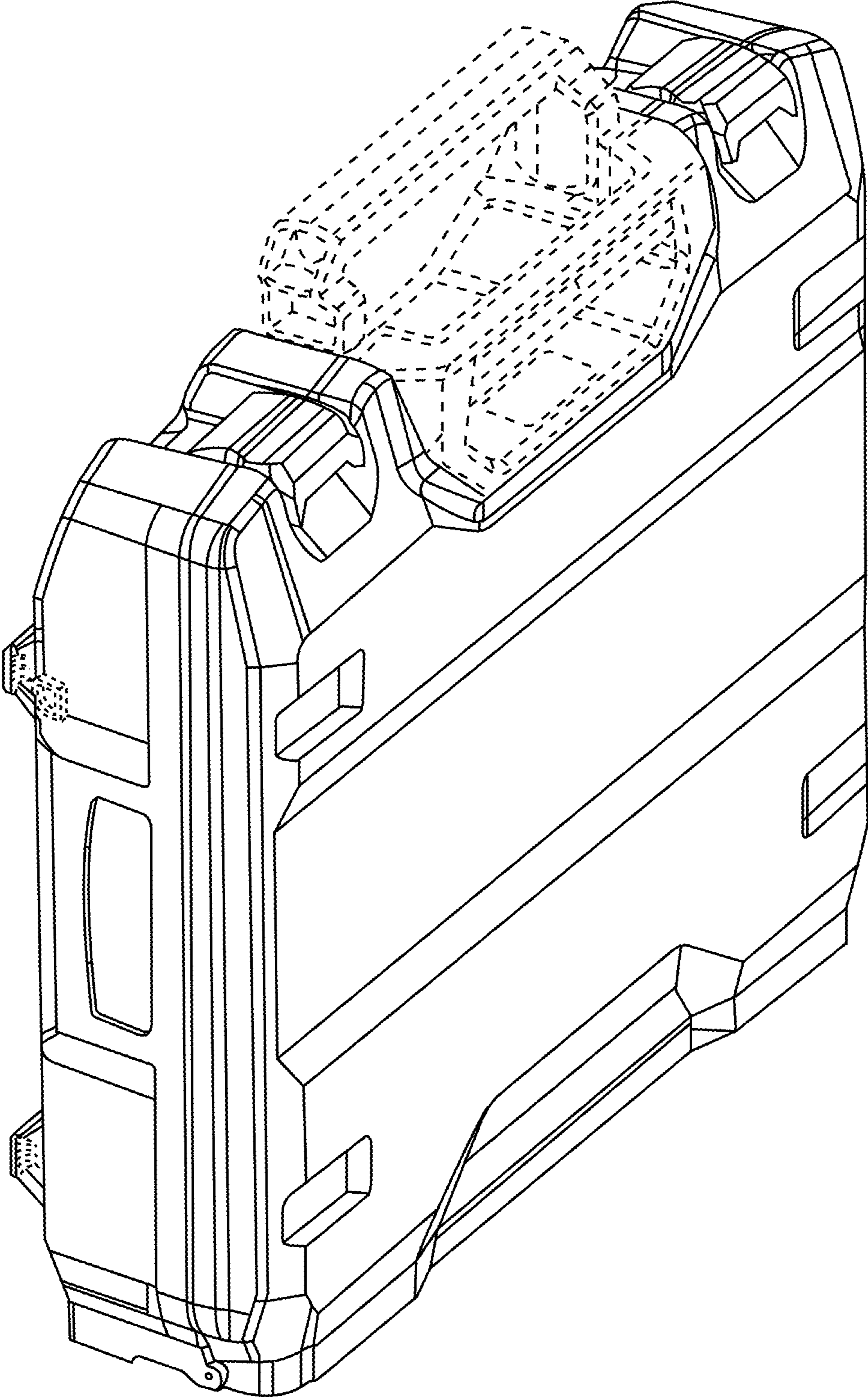
The broken lines in the drawings illustrate unclaimed features and form no part of the claimed design.

1 Claim, 8 Drawing Sheets

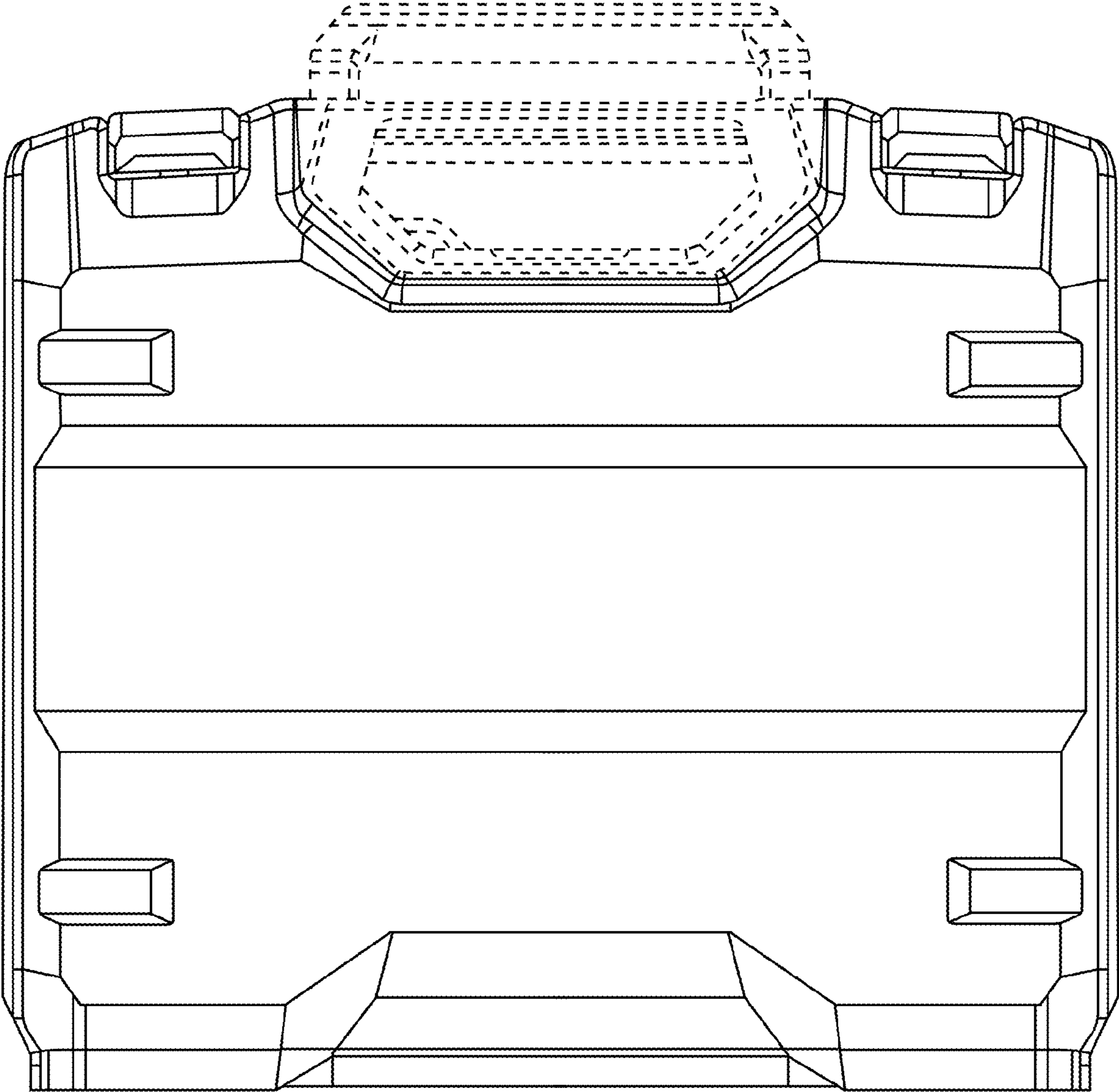




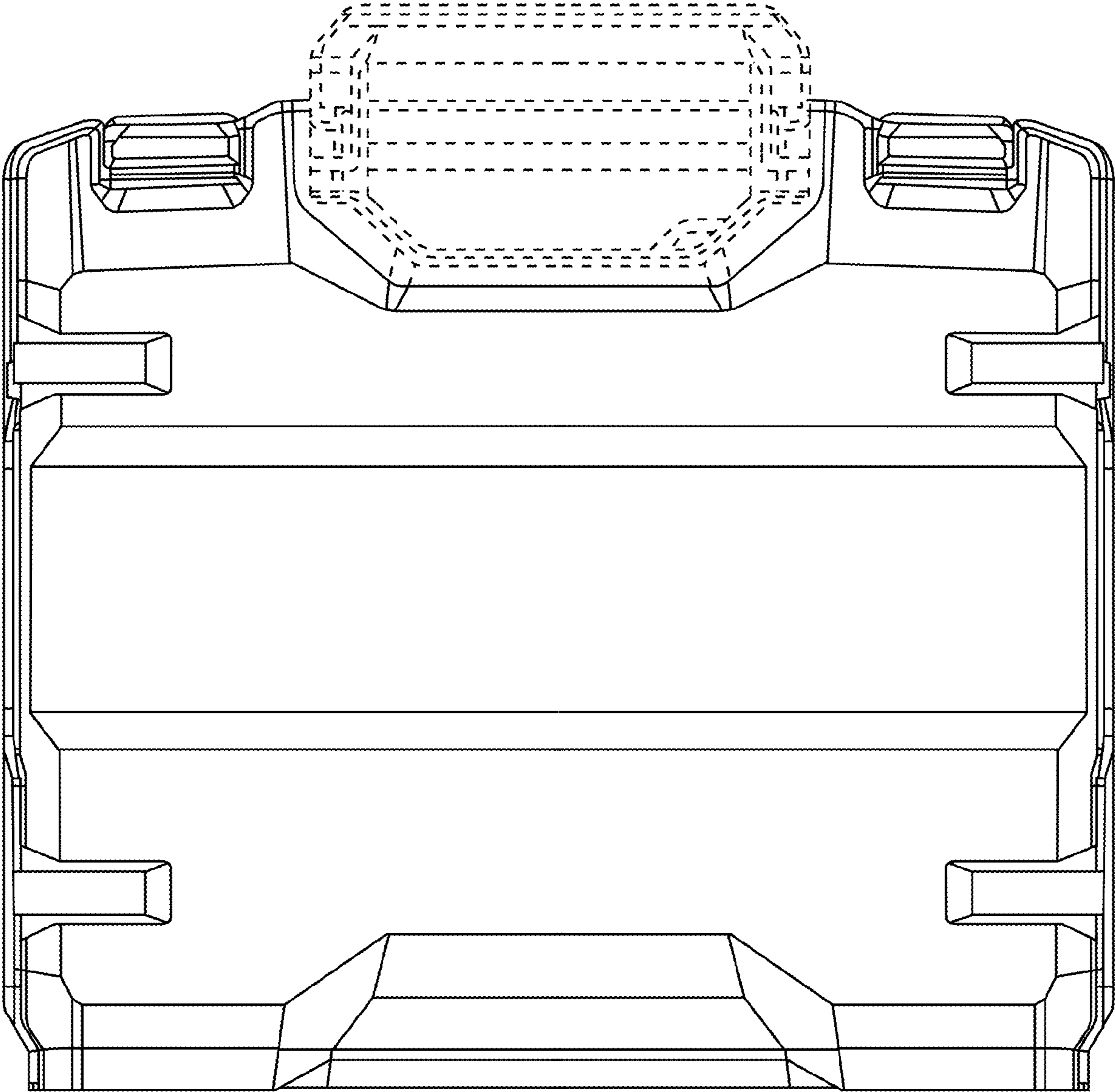
2.1



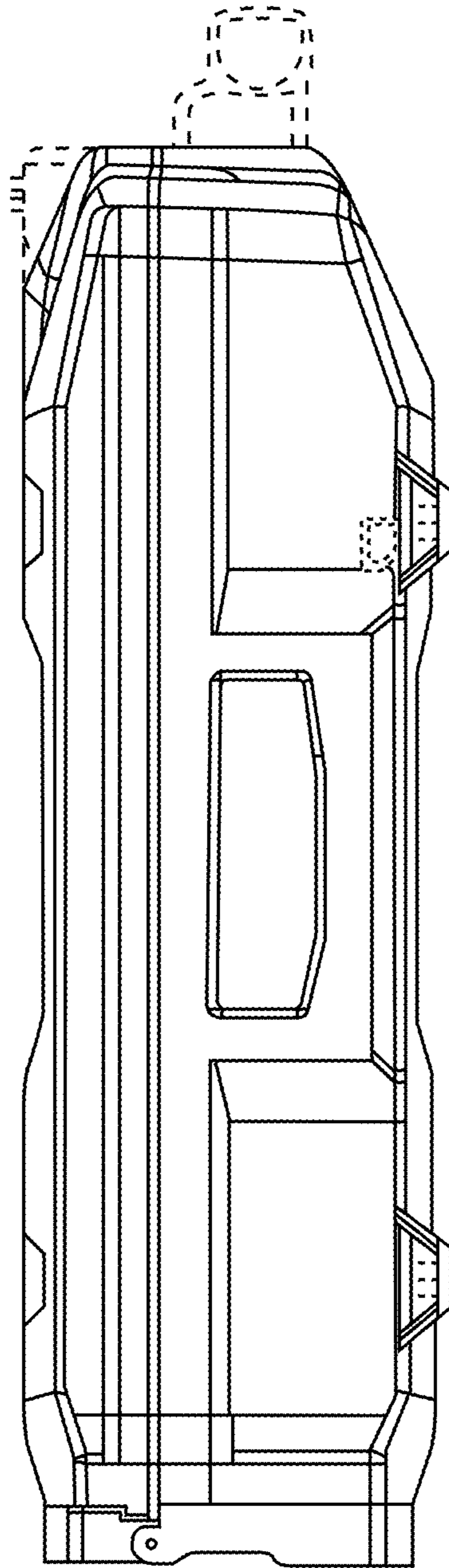
2.2



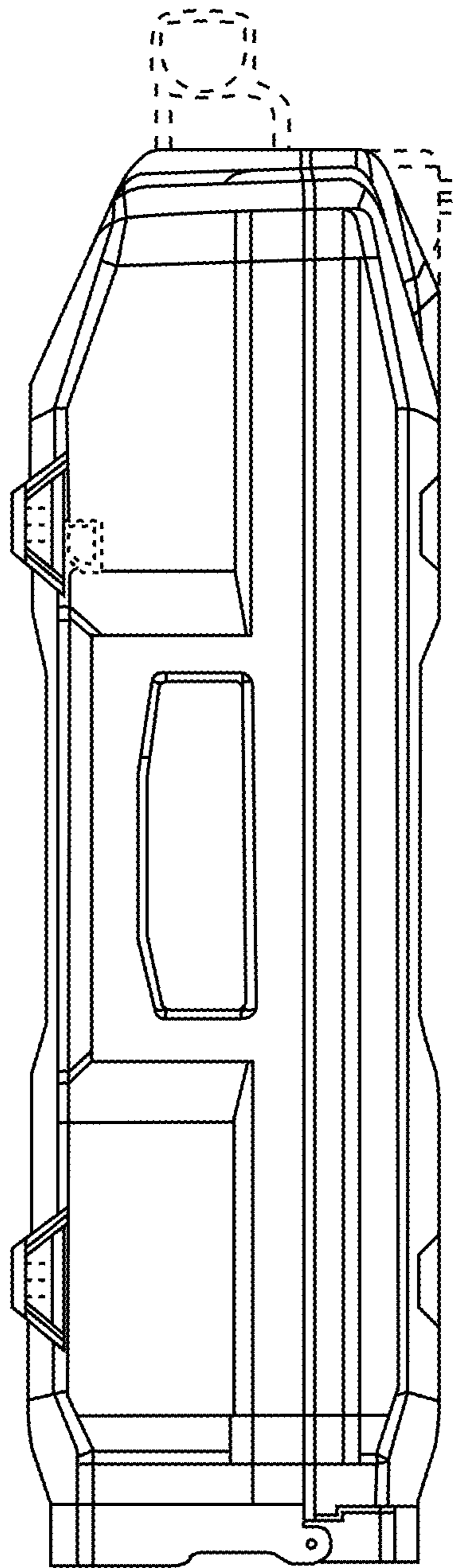
2.3



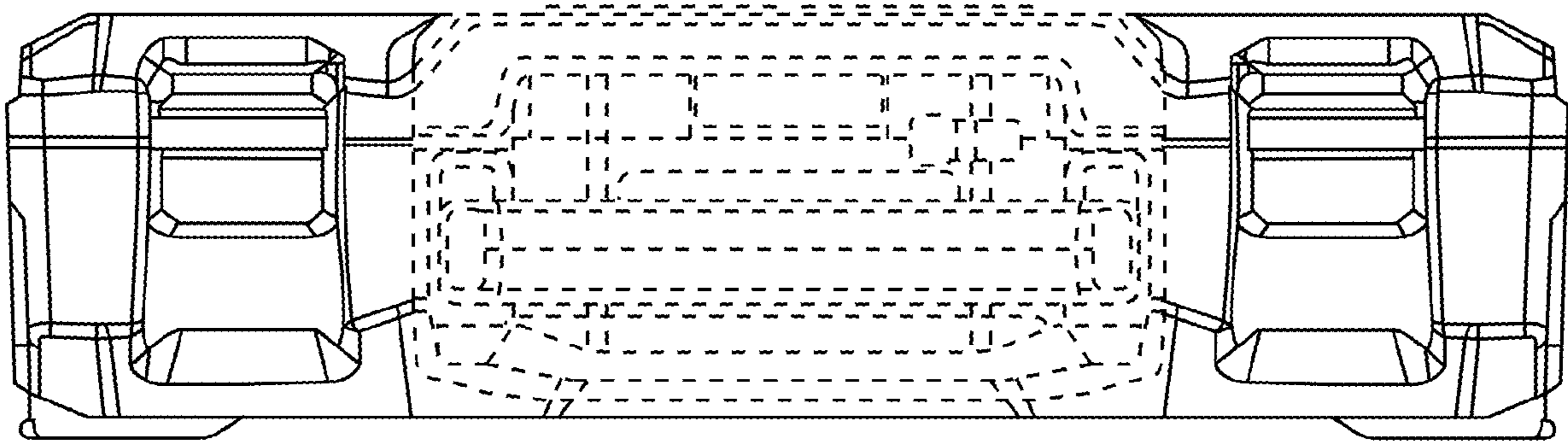
2.4



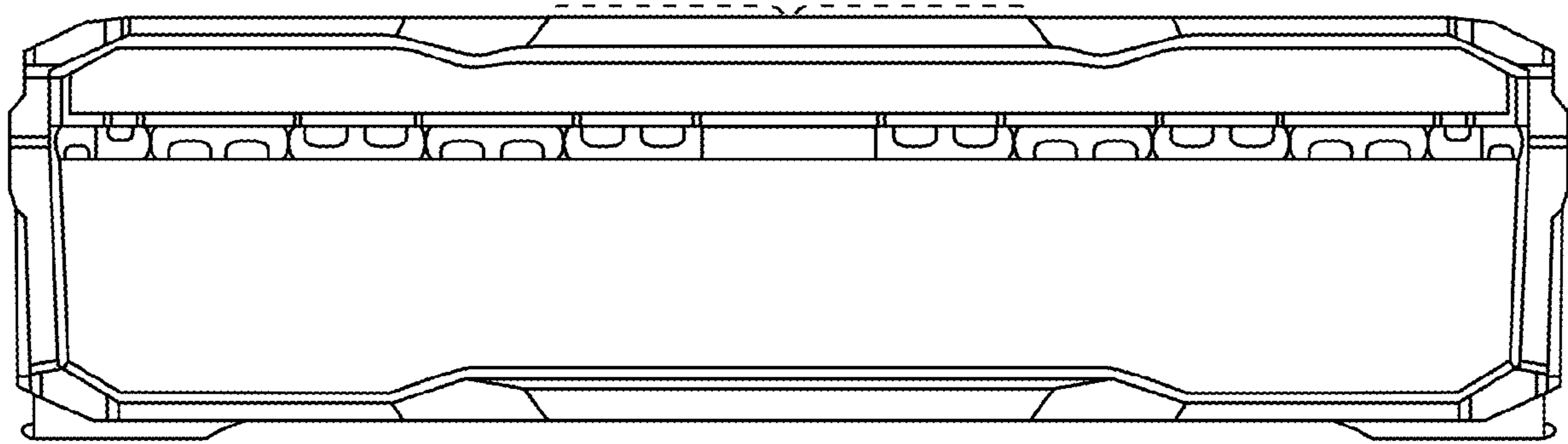
2.5



2.6



2.7



2.8