



US00D911708S

(12) **United States Design Patent** (10) **Patent No.:** **US D911,708 S**  
**Curescu et al.** (45) **Date of Patent:** **\*\* Mar. 2, 2021**

(54) **COMBINATION SUITCASE AND DEVICE CHARGER**

2012/0152677 A1 6/2012 Lu  
2013/0032443 A1 2/2013 Soedomo  
2013/0271063 A1 10/2013 Wilson  
2017/0310151 A1\* 10/2017 Curescu ..... A45C 13/262

(71) Applicants: **Gennes Curescu**, Skokie, IL (US);  
**Marius Strizu**, Gresham, OR (US)

OTHER PUBLICATIONS

(72) Inventors: **Gennes Curescu**, Skokie, IL (US);  
**Marius Strizu**, Gresham, OR (US)

Facebook, EBolt Luggage “Videos”, Video posted on Jun. 6, 2018.  
([https://www.facebook.com/EBoltluggage/videos/1958427887510351/?\\_so\\_=channel\\_tab&\\_rv\\_=all\\_videos\\_card](https://www.facebook.com/EBoltluggage/videos/1958427887510351/?_so_=channel_tab&_rv_=all_videos_card)) (Year: 2018).\*

(\*\*) Term: **15 Years**

\* cited by examiner

(21) Appl. No.: **29/682,575**

Primary Examiner — April Rivas

(22) Filed: **Mar. 6, 2019**

(51) **LOC (13) Cl.** ..... **03-01**

(57) **CLAIM**

(52) **U.S. Cl.**

The ornamental design for a combination suitcase and device charger, as shown and described.

USPC ..... **D3/279**; D3/274

(58) **Field of Classification Search**

**DESCRIPTION**

USPC ..... D3/272, 273, 279, 289, 321, 902, 274

CPC ..... A45C 5/03; A45C 2005/032; A45C

2005/037; A45C 2009/005; A45C 5/14

See application file for complete search history.

FIG. 1 is a front view of a combination suitcase and device charger showing my new design;

(56) **References Cited**

U.S. PATENT DOCUMENTS

D395,361 S	6/1998	Zionts	
D428,698 S *	8/2000	Cheng	D3/276
6,688,636 B2	2/2004	Han	
7,350,607 B2	4/2008	Park	
7,394,165 B2	7/2008	Schiller	
7,511,451 B2	3/2009	Chang	
D712,658 S *	9/2014	Lai	D3/279
D730,050 S *	5/2015	Hogan	D3/279
D758,076 S *	6/2016	Boer	D3/279
D784,017 S *	4/2017	Hsieh	D3/279
D832,575 S *	11/2018	Carner	D3/279
D856,675 S *	8/2019	Shalgi	D3/279
10,624,433 B2 *	4/2020	Ying	A45C 5/03

FIG. 2 is a rear view of the combination suitcase and device charger;

FIG. 3 is a left side view of the combination suitcase and device charger, a right side view being a mirror image thereof;

FIG. 4 is a top view of the combination suitcase and device charger;

FIG. 5 is a bottom view of the combination suitcase and device charger;

FIG. 6 is a top front side perspective view of the combination suitcase and device charger; and,

FIG. 7 is a top rear side perspective view of the combination suitcase and device charger.

**1 Claim, 6 Drawing Sheets**

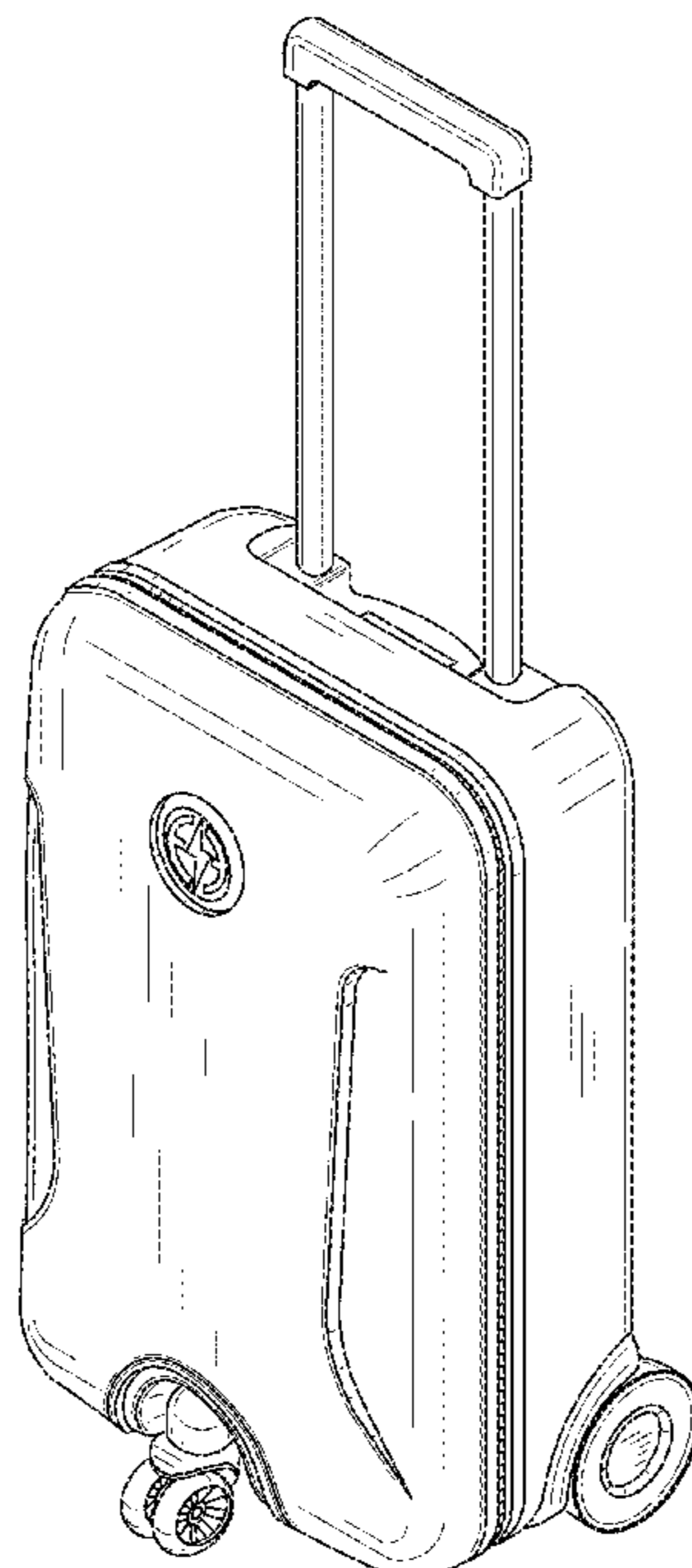




FIG. 1

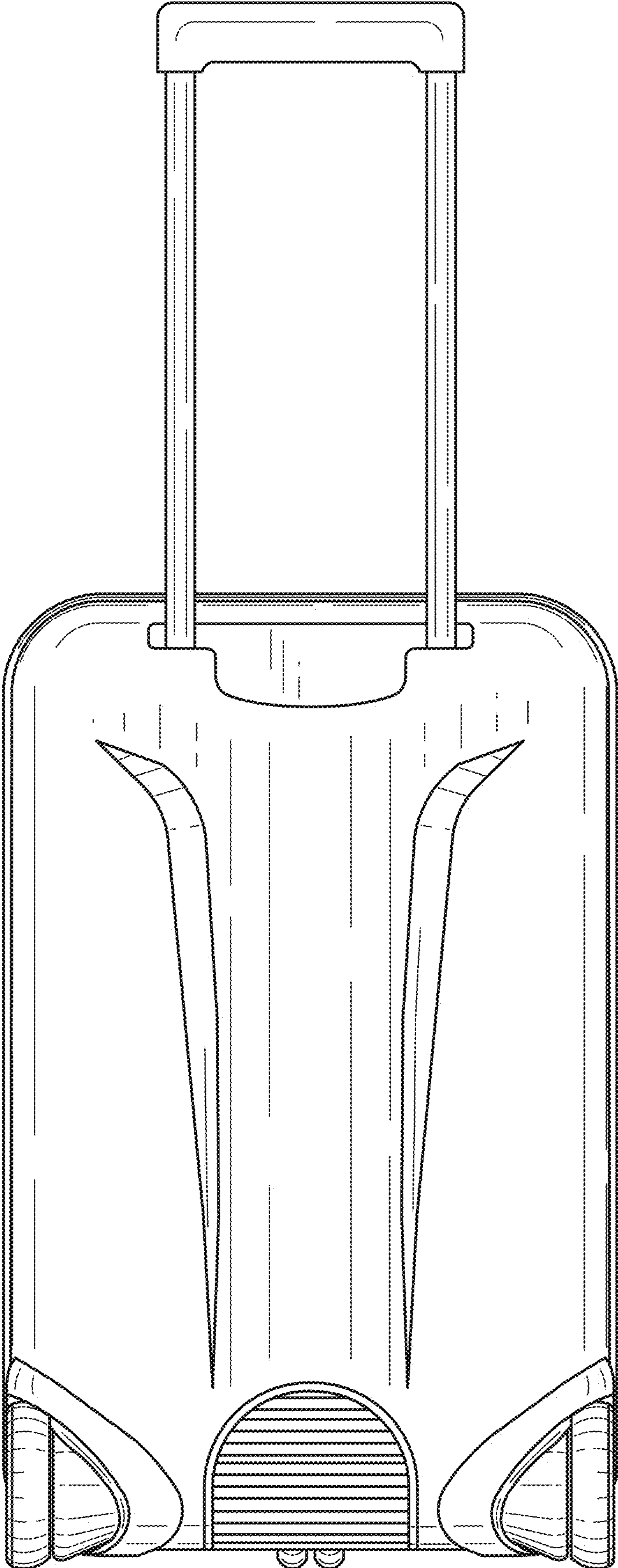


FIG. 2

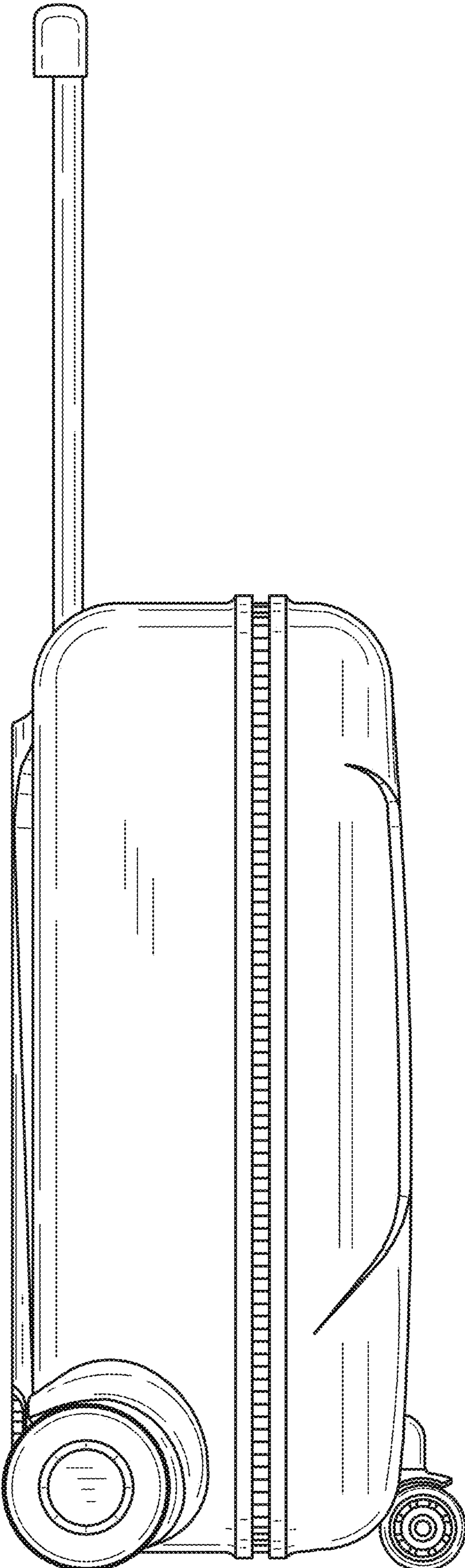


FIG. 3

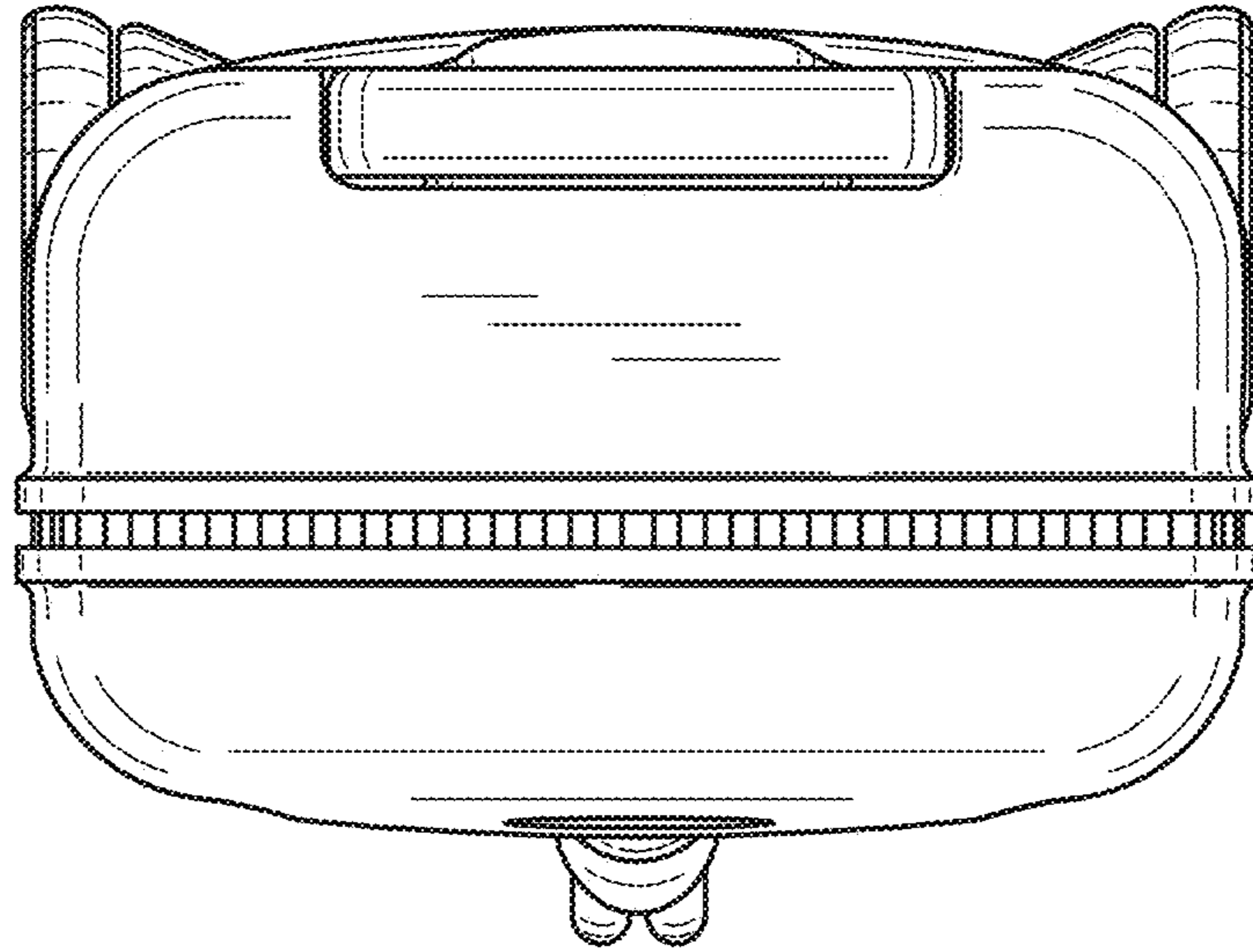


FIG. 4

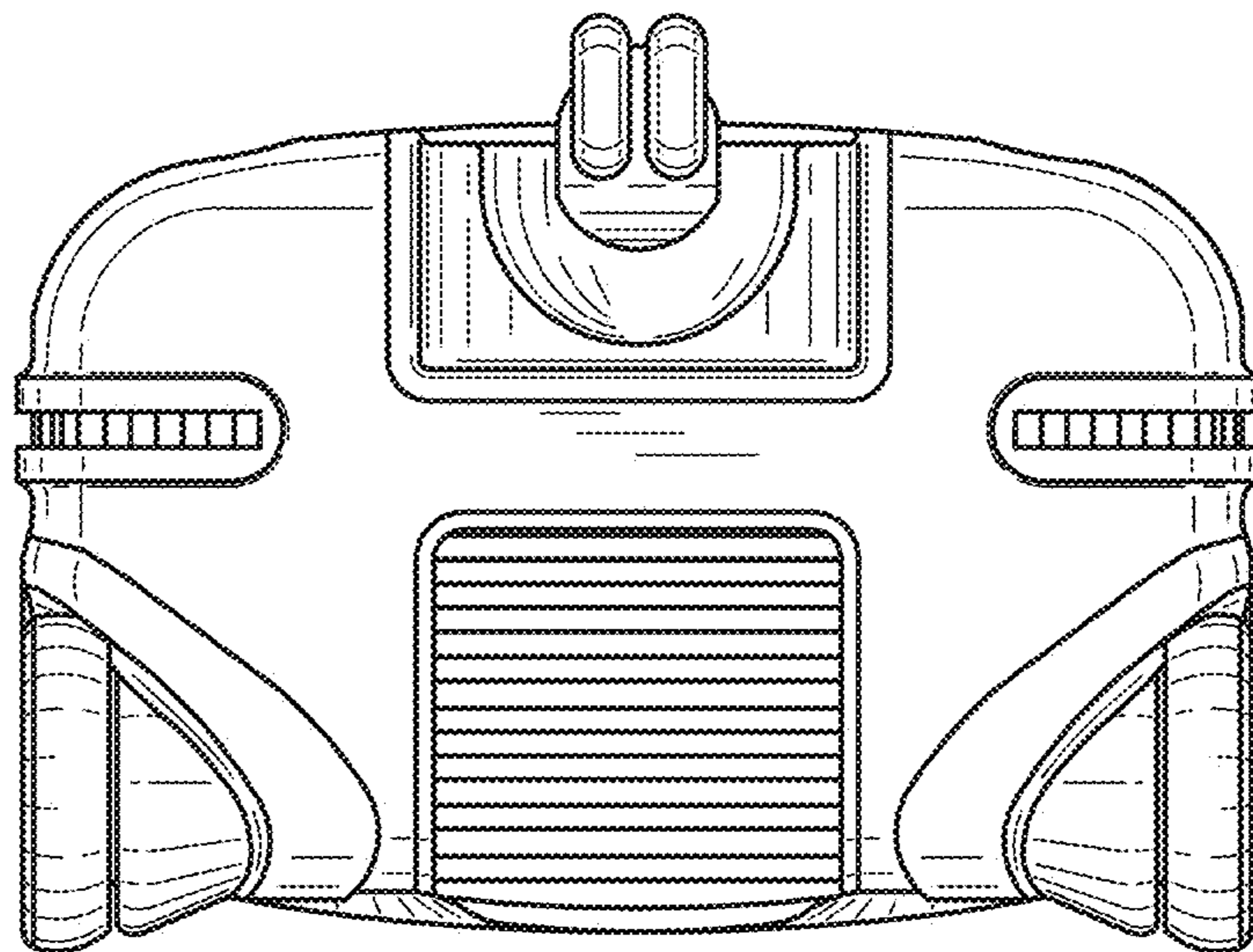
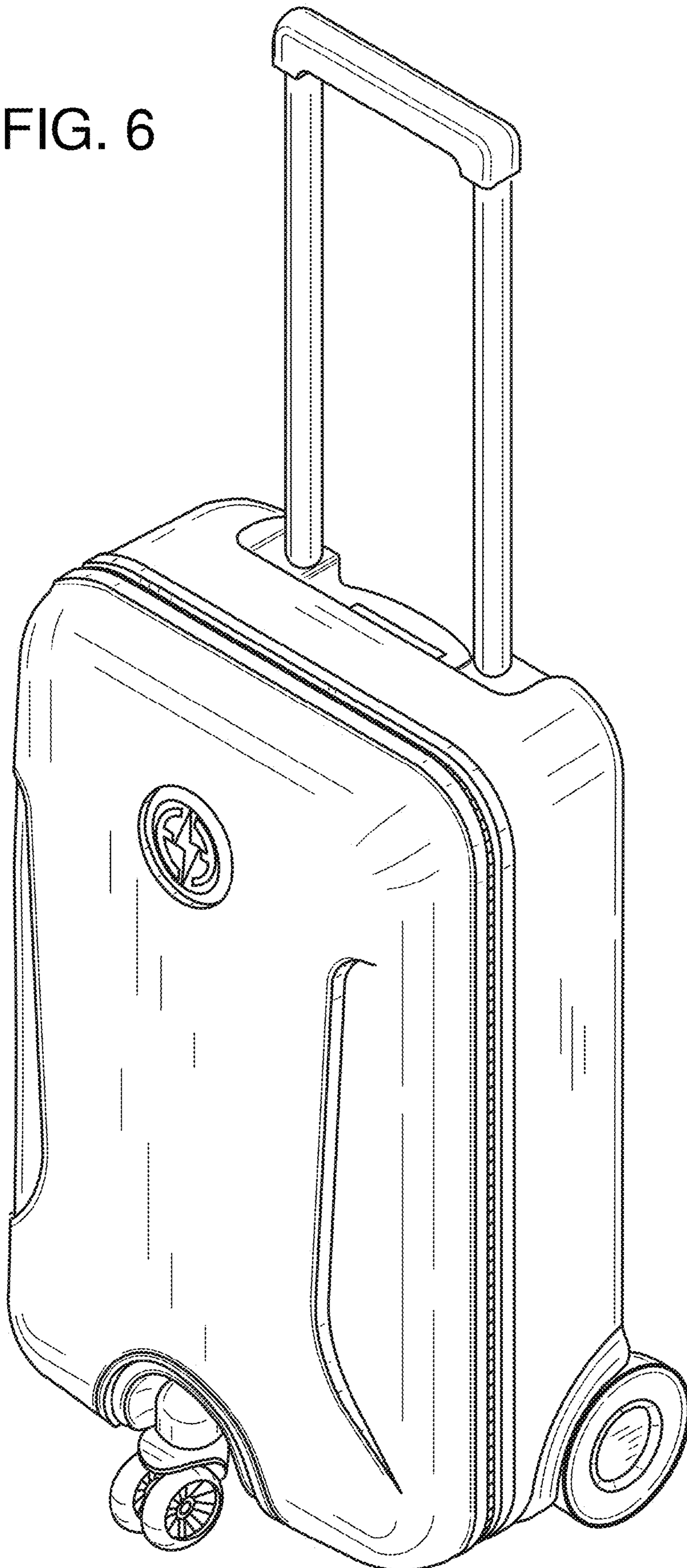


FIG. 5

FIG. 6



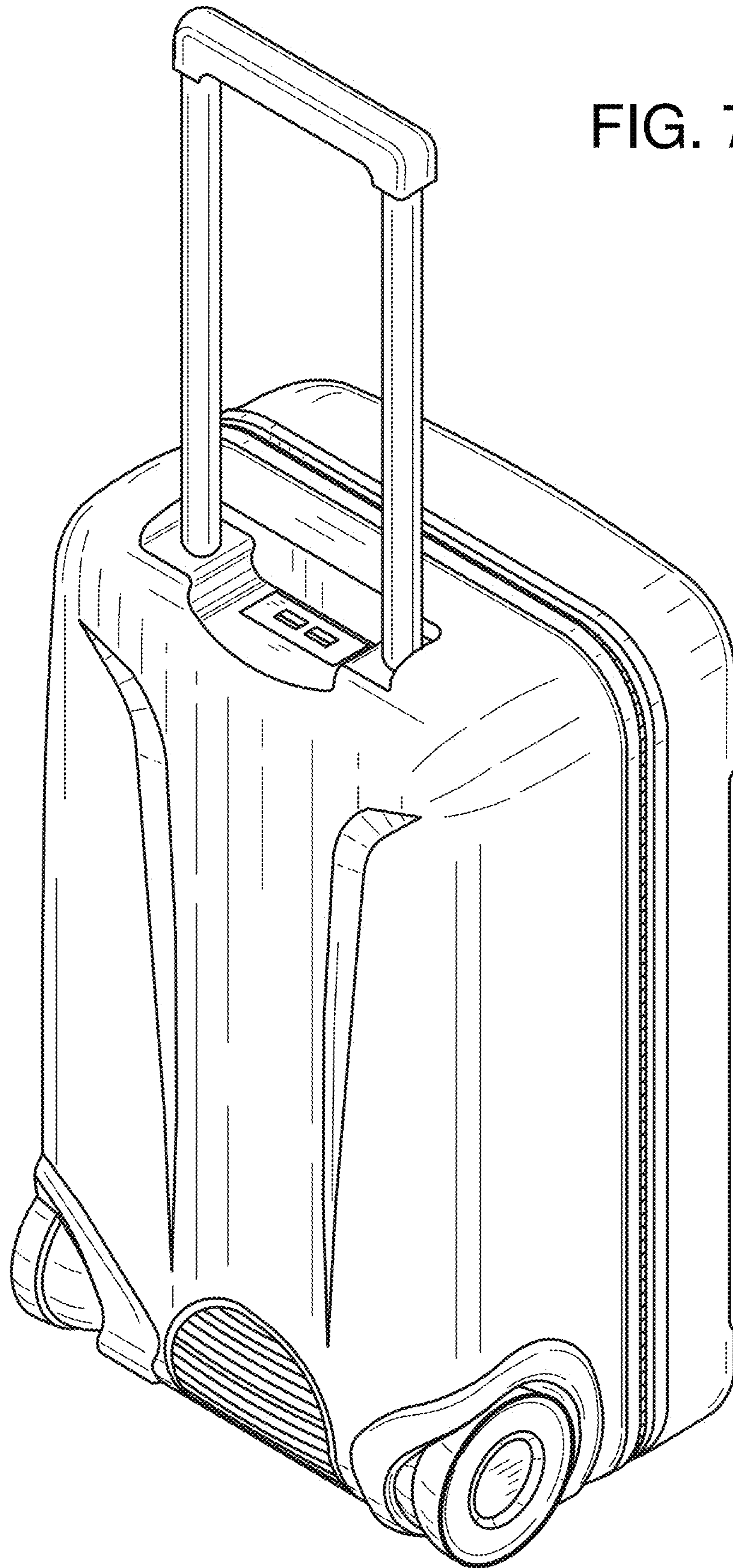


FIG. 7