



US00D911704S

(12) **United States Design Patent**
Hamilton

(10) **Patent No.:** **US D911,704 S**
(45) **Date of Patent:** **** Mar. 2, 2021**

(54) **CONTACT LENS STORAGE CASE**

(71) Applicant: **Amanda Hamilton**, New York, NY
(US)

(72) Inventor: **Amanda Hamilton**, New York, NY
(US)

(**) Term: **15 Years**

(21) Appl. No.: **29/692,435**

(22) Filed: **May 24, 2019**

(51) **LOC (13) Cl.** **03-01**

(52) **U.S. Cl.**

USPC **D3/264**

(58) **Field of Classification Search**

USPC D3/207, 215, 219, 229, 263-266, 299,
D3/211; D12/417; D16/330, 339;

(Continued)

(56) **References Cited**

U.S. PATENT DOCUMENTS

D202,321 S * 9/1965 Conner et al. D3/263

D204,641 S * 5/1966 Brigham D3/229

(Continued)

Primary Examiner — T Chase Nelson

(74) *Attorney, Agent, or Firm* — Brian K. Yost; Decker
Jones, PC

(57) **CLAIM**

The ornamental design for a contact lens storage case, as
shown and described.

DESCRIPTION

FIG. 1 is a perspective right, front, and top view of a first
embodiment of a contact lens storage case with a forward-
facing valve-vent, depicting the lids in a closed position,
showing my new design.

FIG. 2 is a perspective right, front, and top view of the
contact lens storage case of FIG. 1 with the lids in an open
position.

FIG. 3 is a perspective right, top, and rear view of the contact
lens storage case of FIG. 1 with the lids in an open position.

FIG. 4 is a front elevation view of the contact lens storage
case shown in FIG. 1 with the lids in a closed position.

FIG. 5 a front elevation view of the contact lens storage case
shown in FIG. 1 with the lids in an open position.

FIG. 6 is a perspective right, front, and rear view of the
contact lens storage case of FIG. 1 with the lids in a closed
position.

FIG. 7 is a top plan view of the contact lens storage case of
FIG. 1 with the lids in a closed position.

FIG. 8 is a top plan view of the contact lens storage case of
FIG. 1 with the lids in an open position.

FIG. 9 is a bottom plan view of the contact lens storage case
of FIG. 1 with the lids in a closed position.

FIG. 10 is a bottom plan view of the contact lens storage
case of FIG. 1 with the lids in an open position.

FIG. 11 is a rear elevation view of the contact lens storage
case of FIG. 1 with the lids in a closed position.

FIG. 12 is a rear elevation view of the contact lens storage
case of FIG. 1 with the lids in an open position.

FIG. 13 is a right side elevation view of the contact lens
storage case of FIG. 1 with the lids in a closed position, the
left side being a mirror image of the right.

FIG. 14 is a right side elevation view of the contact lens
storage case of FIG. 1 with the lids in an open position, the
left side being a mirror image of the right.

FIG. 15 is a perspective right, front, and top view of another
embodiment of a contact lens storage case with a rearward-
facing valve-vent, and depicting the lids in a closed position,
showing my new design.

FIG. 16 is a perspective right, front, and top view of the
contact lens storage case of FIG. 15 with the lids in an open
position.

FIG. 17 is a perspective right, top, and rear view of the
contact lens storage case of FIG. 15 with the lids in an open
position.

FIG. 18 is a rear elevation view of the contact lens storage
case of FIG. 15 with the lids in a closed position.

(Continued)

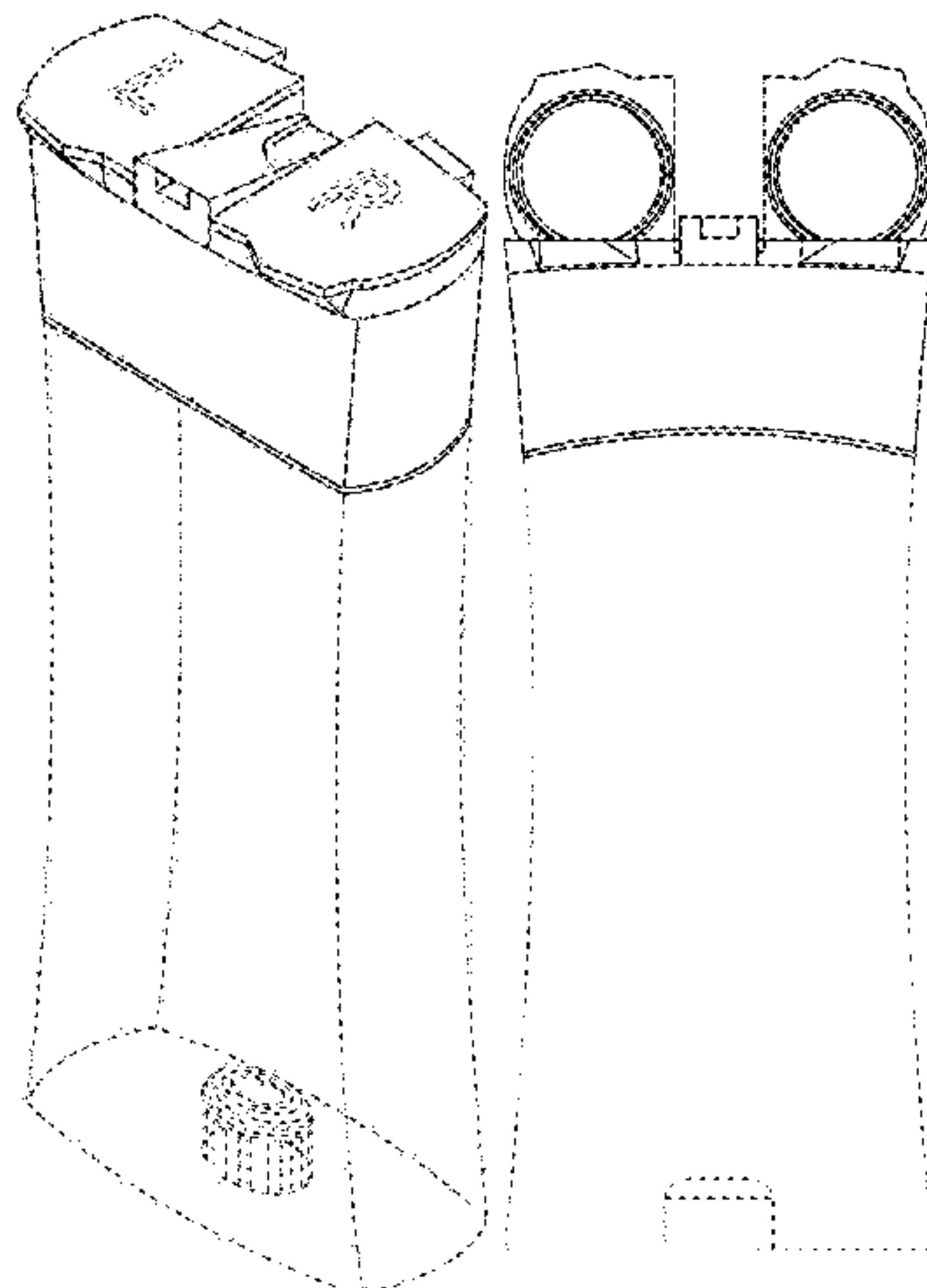


FIG. 19 is a rear elevation view of the contact lens storage case of FIG. 15 with the lids in an open position.
 FIG. 20 is a perspective right, front, and rear view of the contact lens storage case of FIG. 15 with the lids in a closed position.
 FIG. 21 is a top plan view of the contact lens storage case of FIG. 15 with the lids in a closed position.
 FIG. 22 is a top plan view of the contact lens storage case of FIG. 15 with the lids in an open position.
 FIG. 23 is a bottom plan view of the contact lens storage case of FIG. 15 with the lids in a closed position.
 FIG. 24 is a bottom plan view of the contact lens storage case of FIG. 15 with the lids in an open position.
 FIG. 25 is a front elevation view of the contact lens storage case shown in FIG. 15 with the lids in a closed position.
 FIG. 26 a front elevation view of the contact lens storage case shown in FIG. 15 with the lids in an open position.
 FIG. 27 is a right side elevation view of the contact lens storage case of FIG. 15 with the lids in a closed position, the left side being a mirror image of the right; and,
 FIG. 28 is a right side elevation view of the contact lens storage case of FIG. 15 with the lids in an open position, the left side being a mirror image of the right.
 The broken lines depict portions of the contact lens storage case that form no part of the claimed design.

1 Claim, 12 Drawing Sheets

(58) **Field of Classification Search**

USPC 24/3.3, 3.7, 3.8, 563; 206/5, 5.1, 6;
 248/902; 351/112, 155; D9/435, 452,
 D9/454
 CPC A45C 11/04; A45C 11/005; A47F 7/02;
 A47F 7/021
 See application file for complete search history.

(56) **References Cited**

U.S. PATENT DOCUMENTS

3,326,358 A * 6/1967 Singleton A45C 11/005
 206/5
 D208,166 S * 7/1967 Hueber et al. D3/264
 D227,744 S * 7/1973 Michiko D3/203.2
 4,295,345 A * 10/1981 Atkinson B65D 81/3834
 62/371

4,545,479 A * 10/1985 Figari A45C 11/005
 132/286
 D289,923 S * 5/1987 Hoogesteger D24/218
 4,784,258 A * 11/1988 Figari A45C 11/005
 134/901
 4,905,819 A 3/1990 Clements et al.
 5,127,517 A 7/1992 Clements et al.
 D395,950 S * 7/1998 Friedman D3/215
 D403,505 S * 1/1999 Clark D3/265
 D430,396 S * 9/2000 Biesecker B65D 81/3834
 D3/215
 D455,261 S * 4/2002 Browne D3/263
 6,420,455 B1 * 7/2002 Landgrebe A45C 11/005
 523/122
 D498,590 S * 11/2004 Borovsky A45C 11/005
 D3/263
 D566,388 S * 4/2008 Nevins A45C 11/005
 D3/263
 D571,555 S * 6/2008 Maraia B65D 83/0418
 D3/263
 7,397,347 B1 * 7/2008 Joyce A45C 11/005
 206/5.1
 D623,407 S * 9/2010 Raile A45C 11/005
 D3/265
 D761,020 S * 7/2016 O'Hara G02C 7/04
 D3/264
 D855,972 S * 8/2019 Scully A45C 11/005
 D3/219
 D891,770 S * 8/2020 Gagnon D3/264
 2004/0173474 A1 9/2004 Haggin
 2005/0087455 A1 * 4/2005 Mahieu A61L 12/086
 206/216
 2006/0266661 A1 * 11/2006 Haggin A45C 11/005
 206/5.1
 2007/0000792 A1 * 1/2007 Newman B65D 83/0418
 206/5.1
 2007/0206377 A1 * 9/2007 Borup A45C 11/005
 362/156
 2008/0179200 A1 * 7/2008 O'Hara A45C 11/005
 206/5.1
 2010/0122917 A1 * 5/2010 Azera A45C 11/046
 206/5.1
 2011/0024649 A1 * 2/2011 Merkle A45C 11/005
 250/492.1
 2011/0315893 A1 * 12/2011 Pugh G02C 7/04
 250/455.11
 2012/0193245 A1 * 8/2012 Wright A45C 11/005
 206/5.1
 2016/0316873 A1 * 11/2016 Lynch A45C 11/005
 2017/0006984 A1 * 1/2017 Sheardown A45C 11/005

* cited by examiner

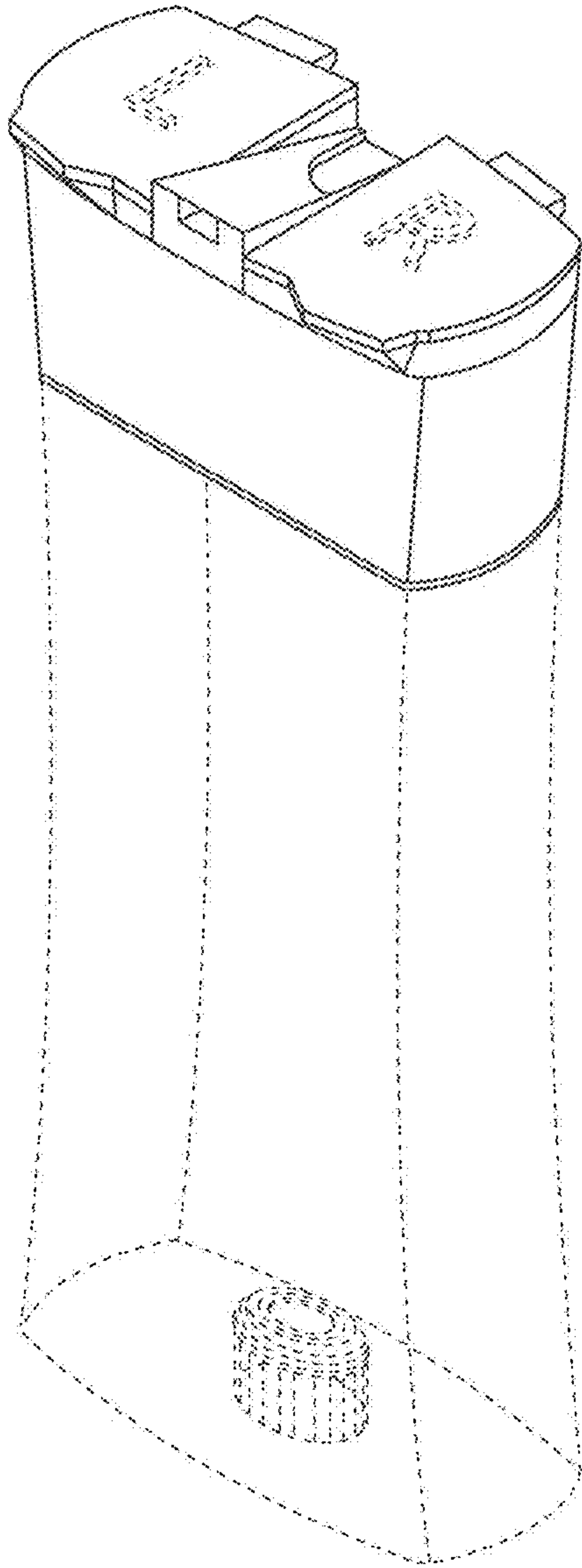


FIG. 1

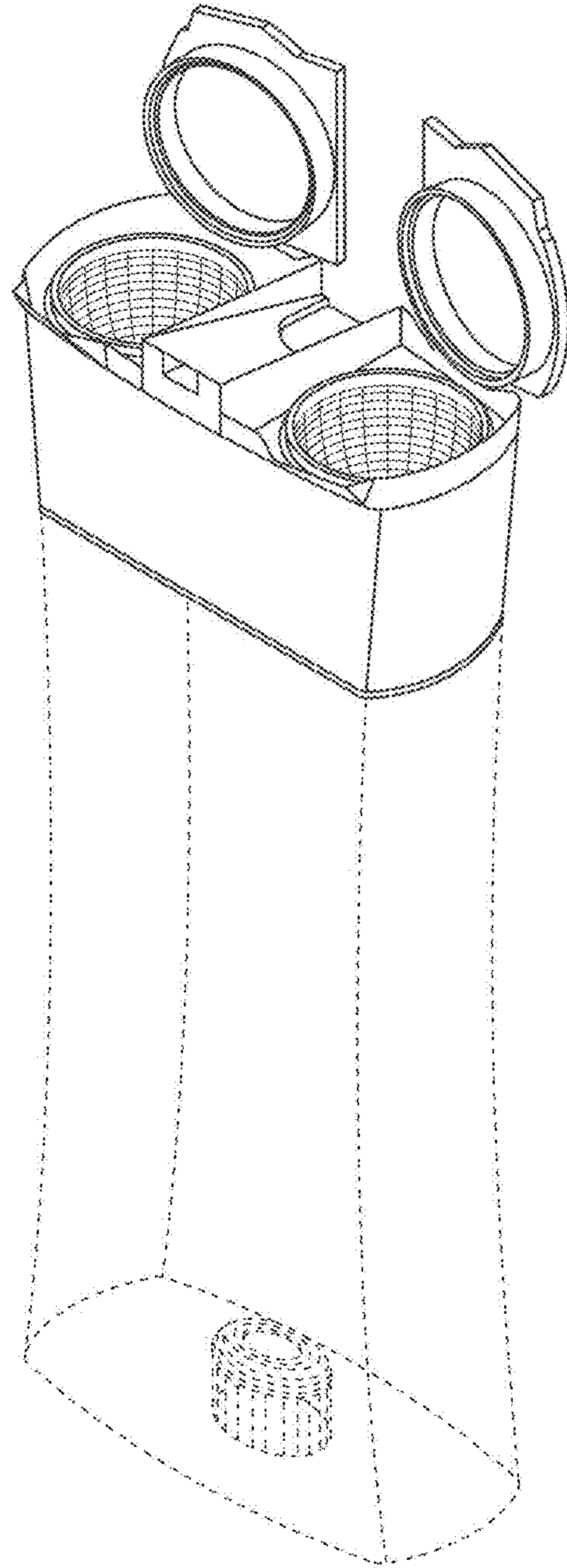


FIG. 2

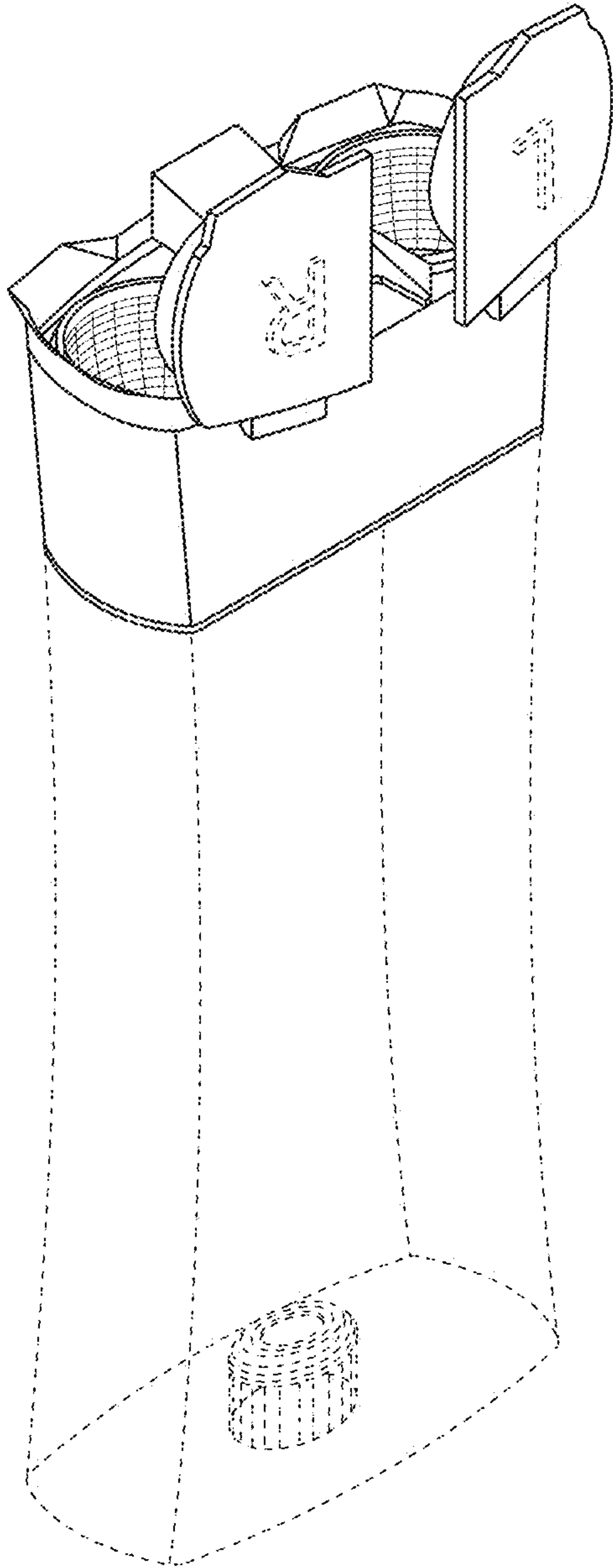


FIG. 3

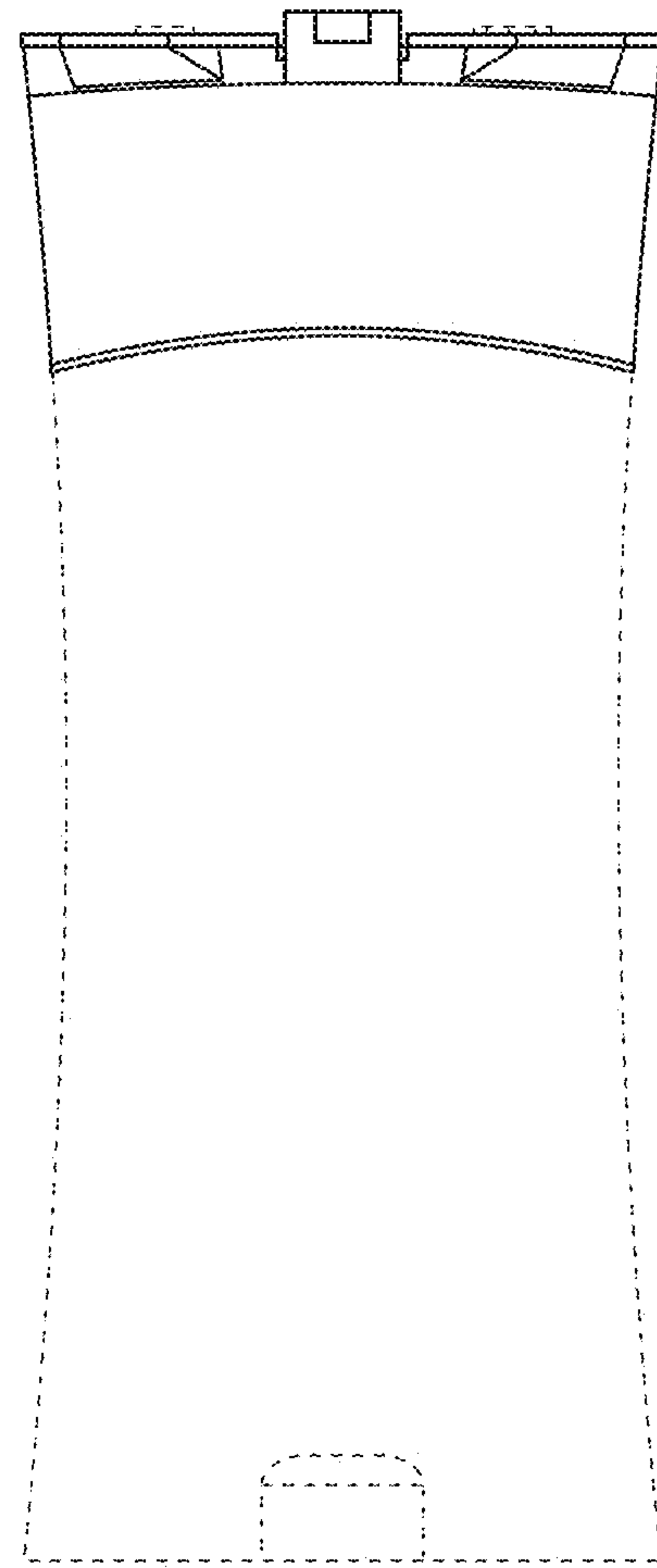


FIG. 4

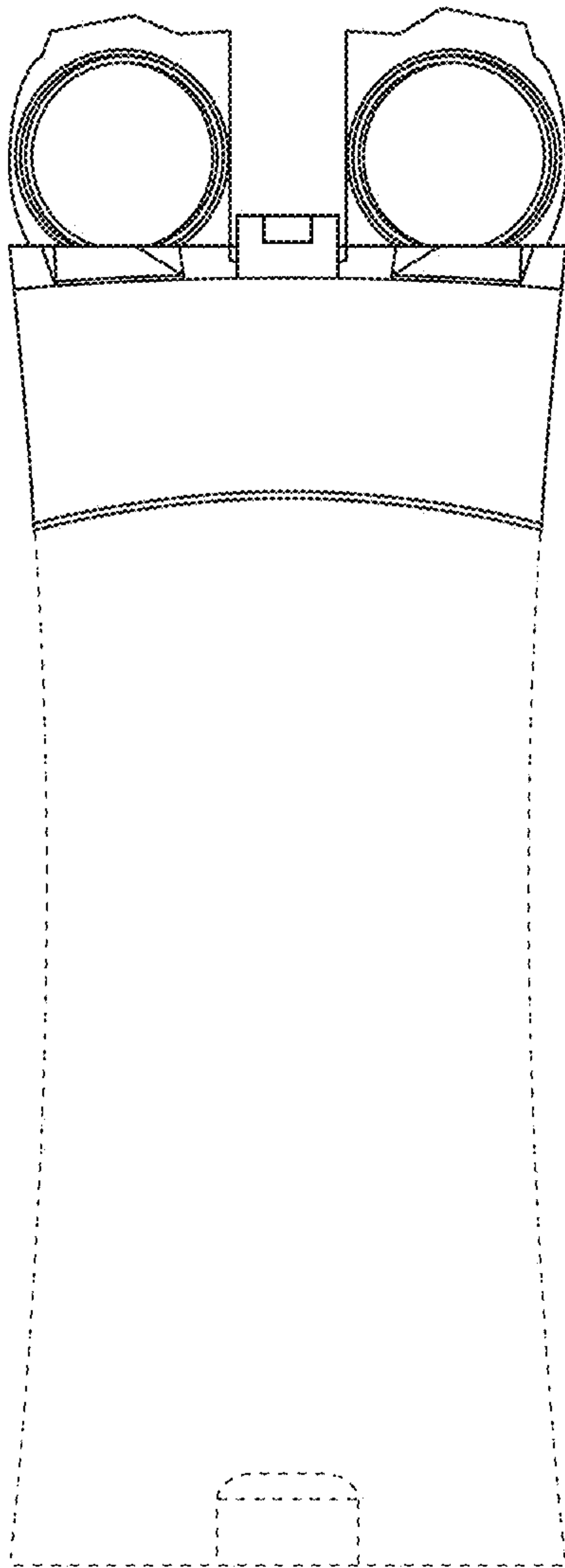


FIG. 5

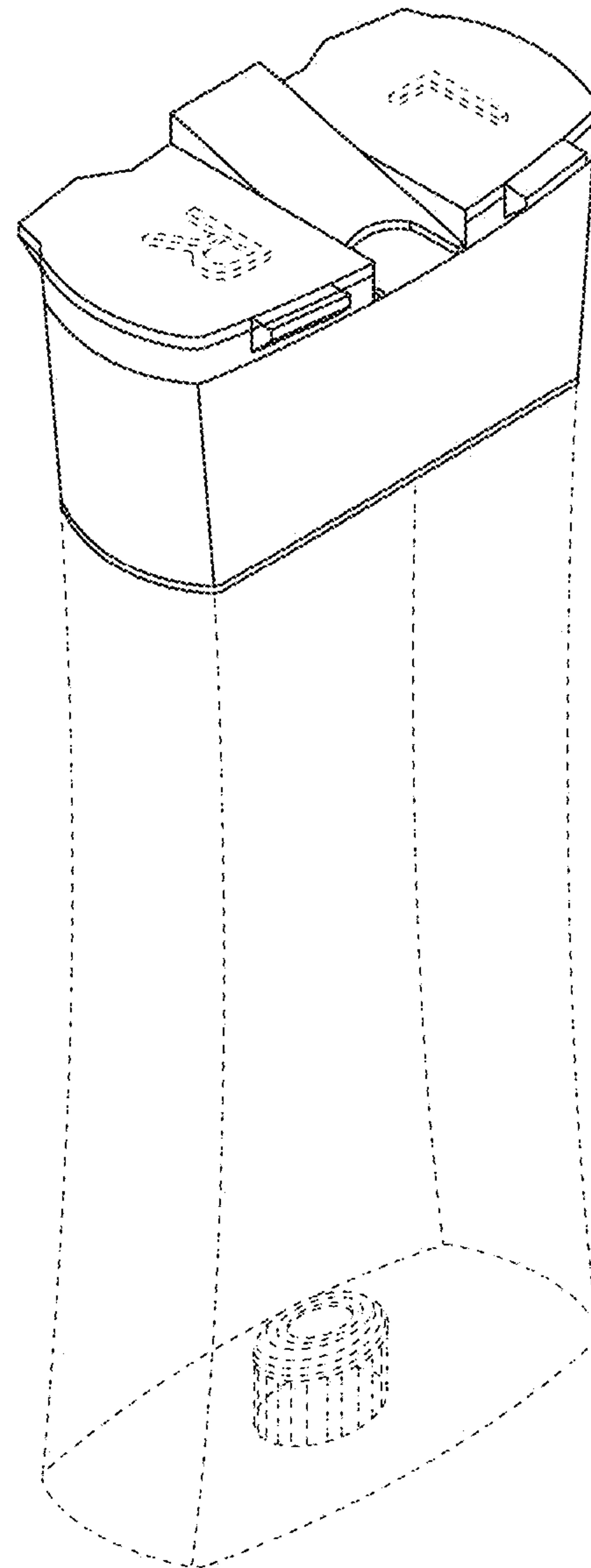


FIG. 6

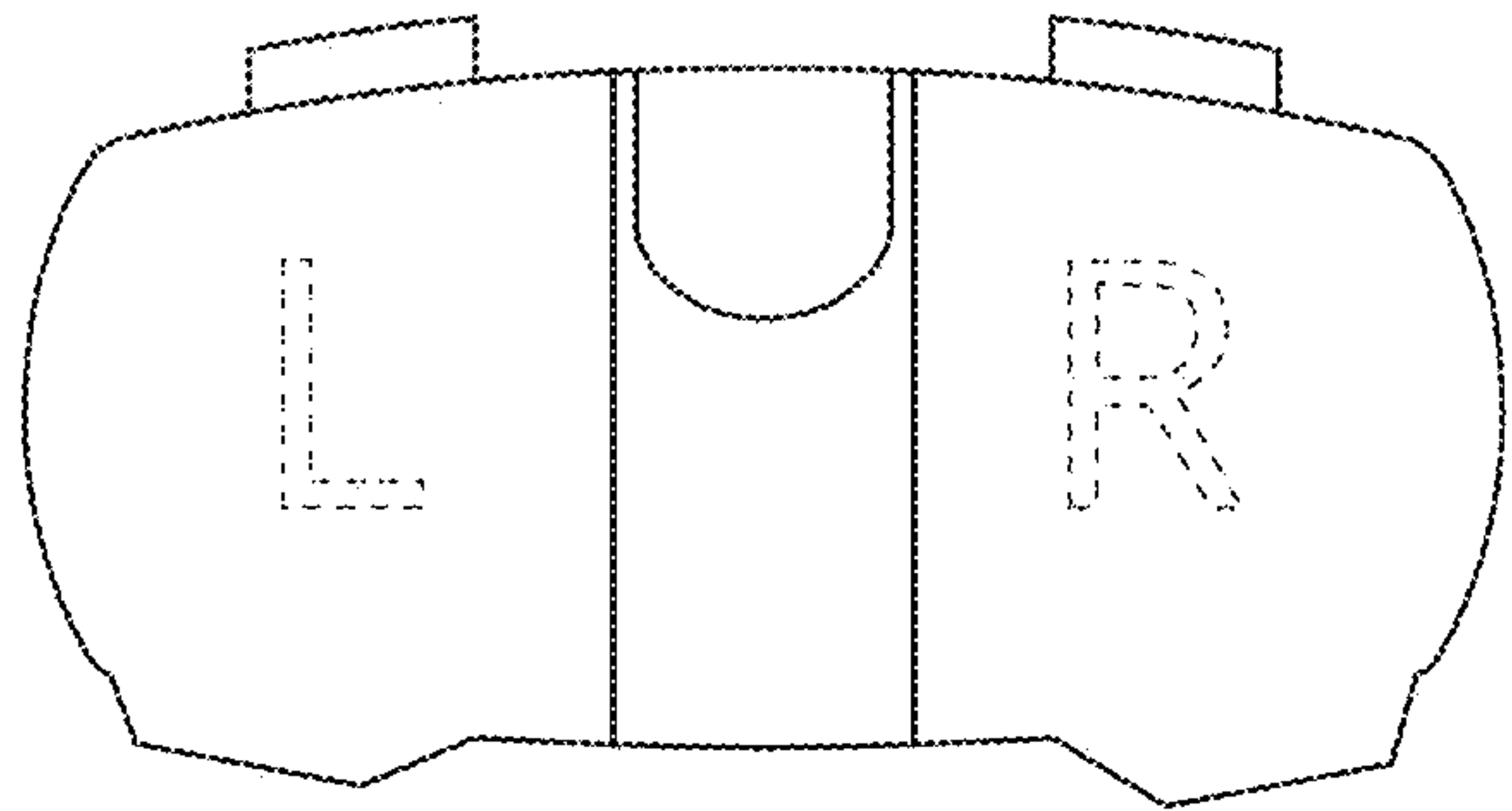


FIG. 7

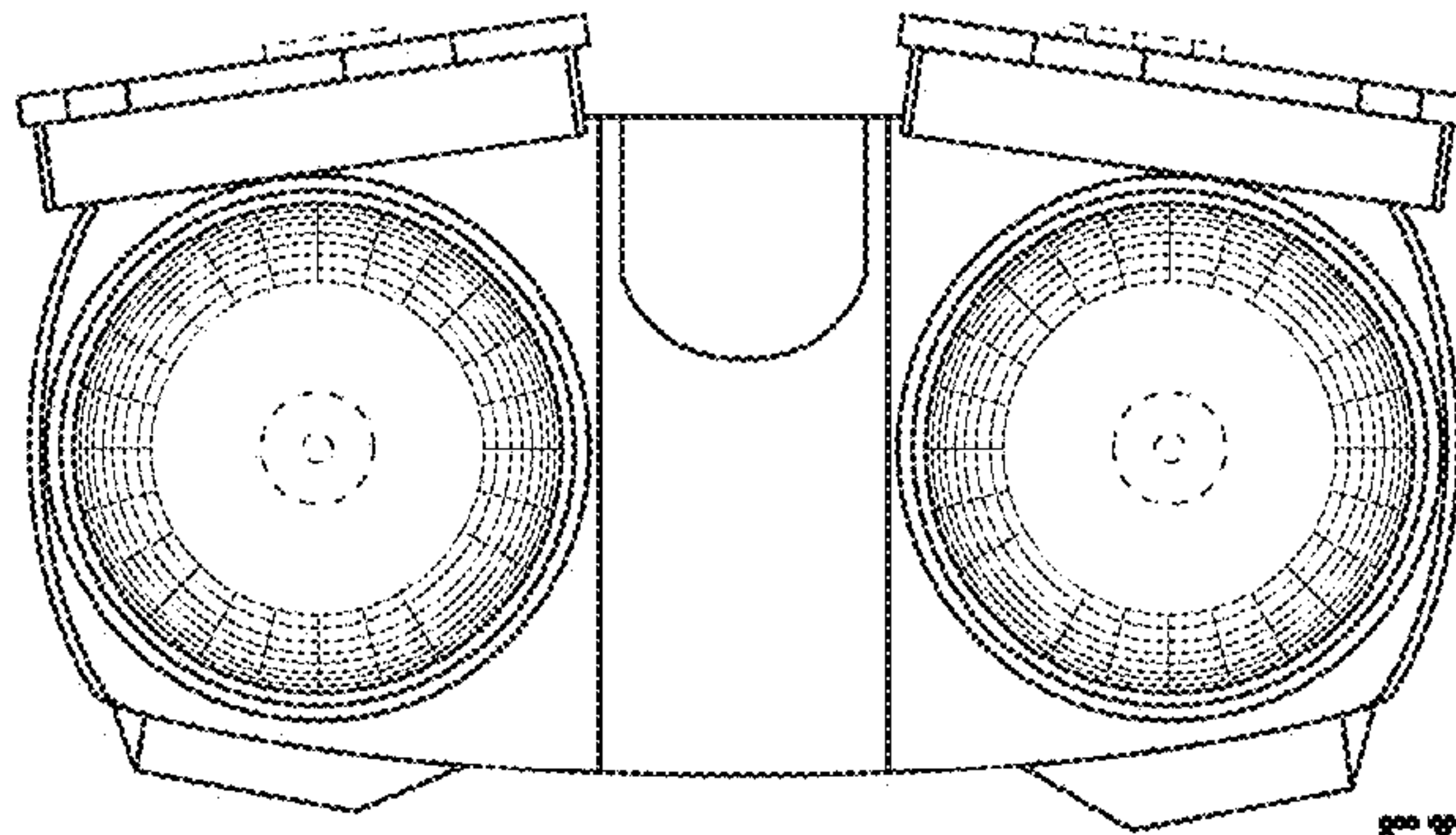


FIG. 8

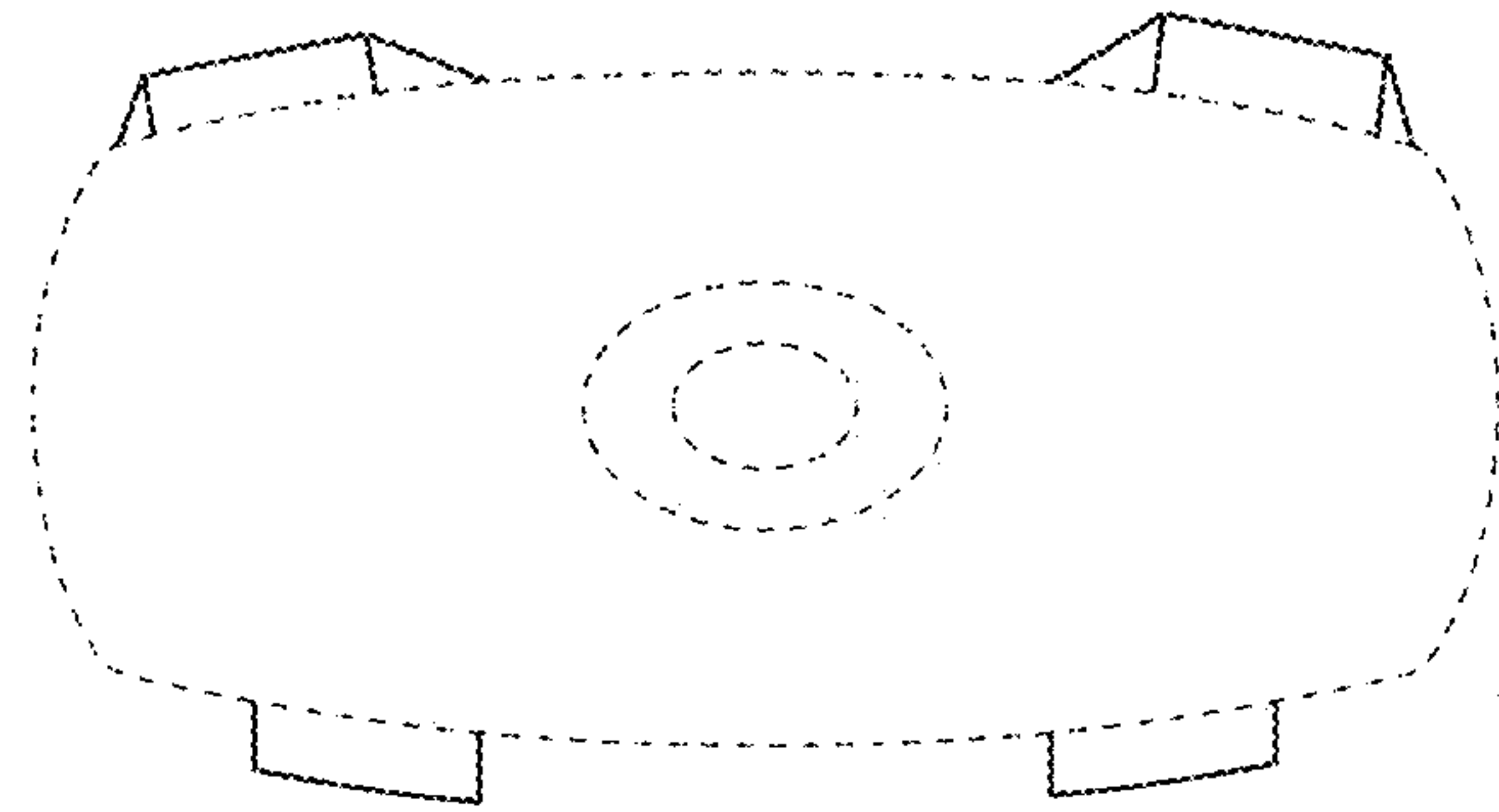


FIG. 9

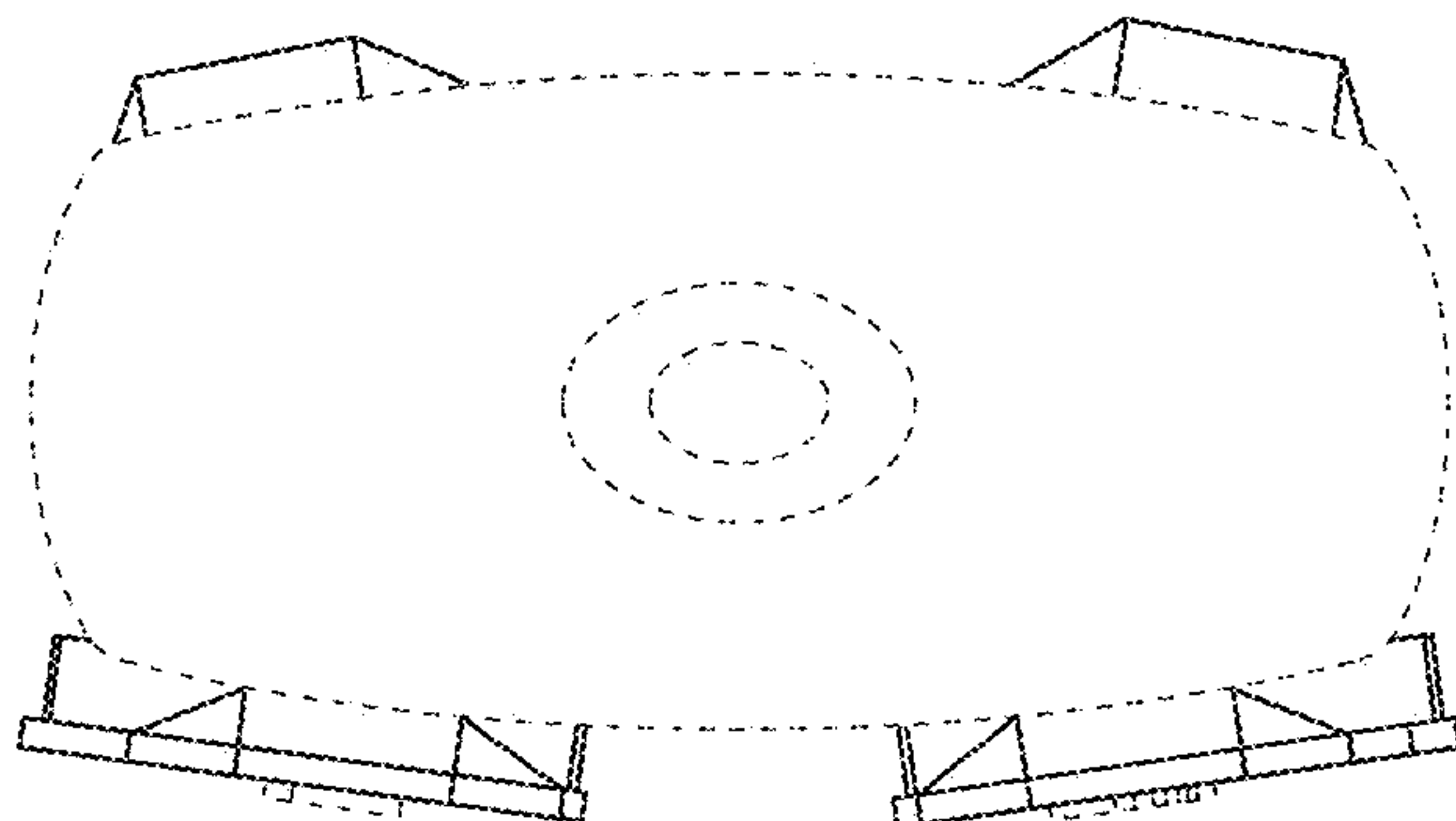


FIG. 10

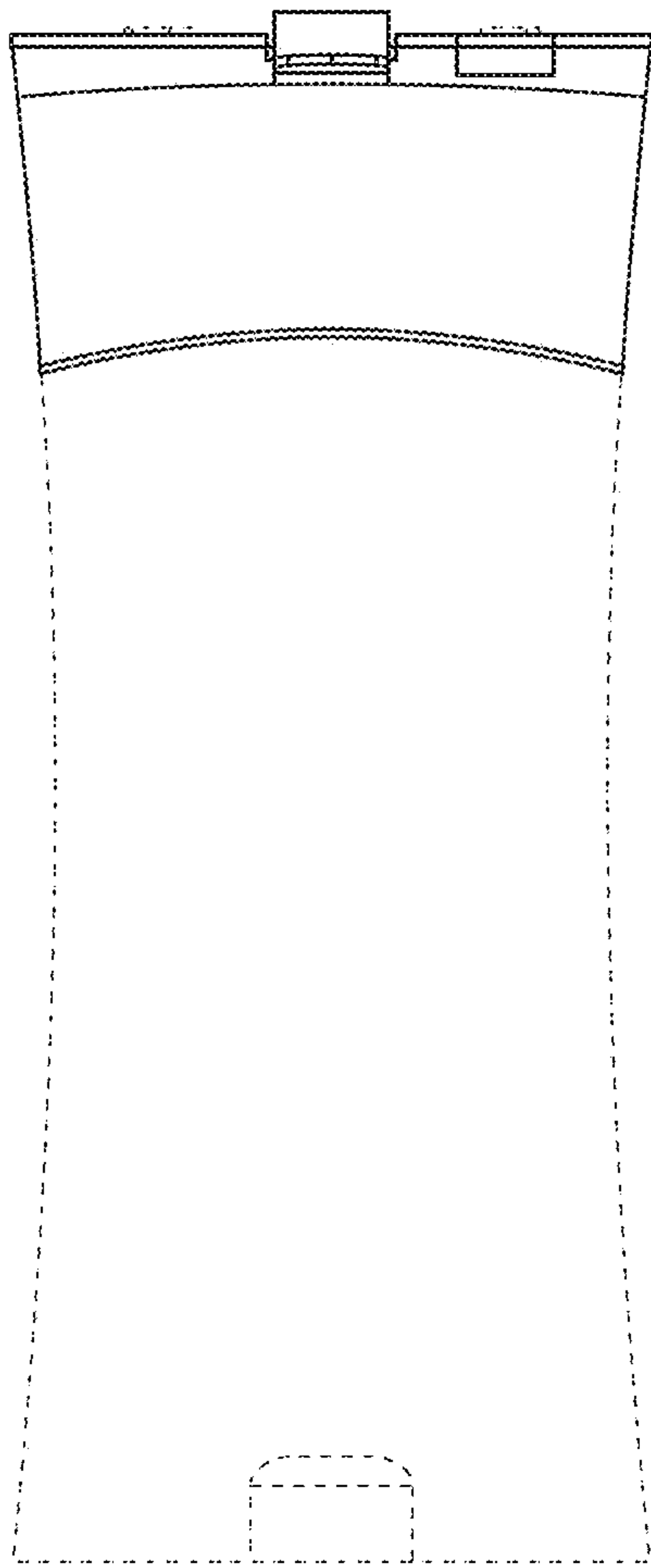


FIG. 11

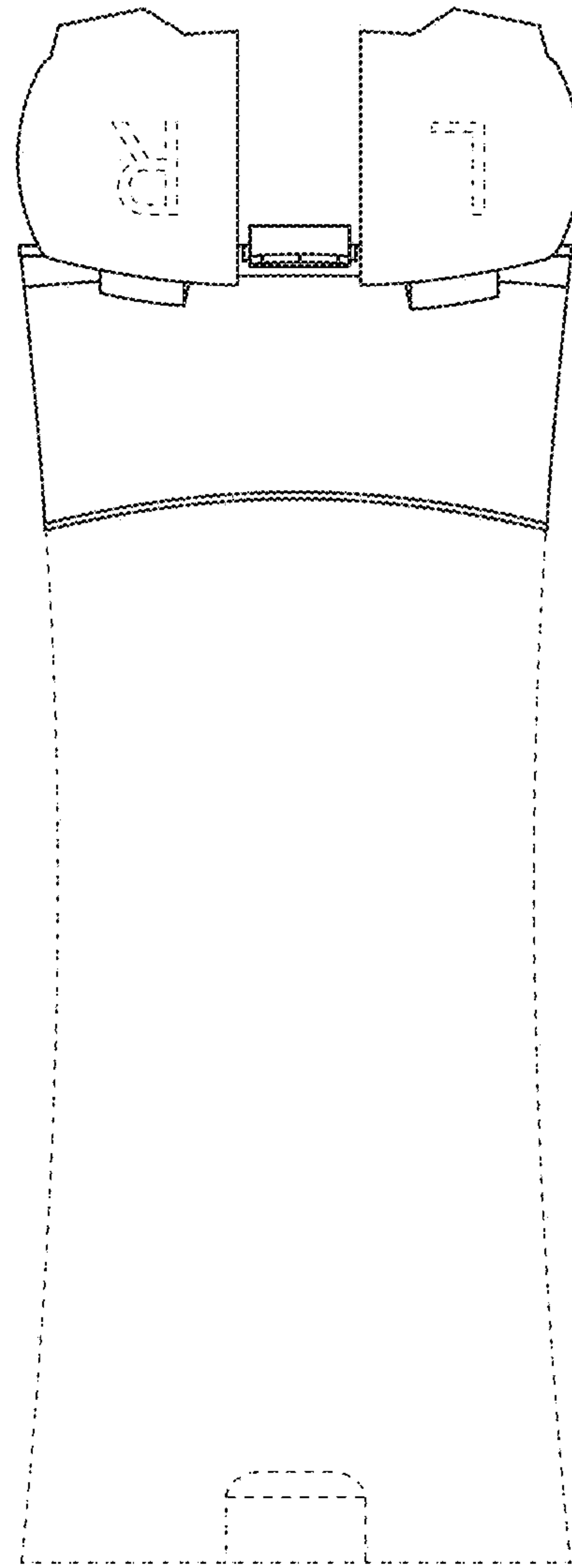


FIG. 12

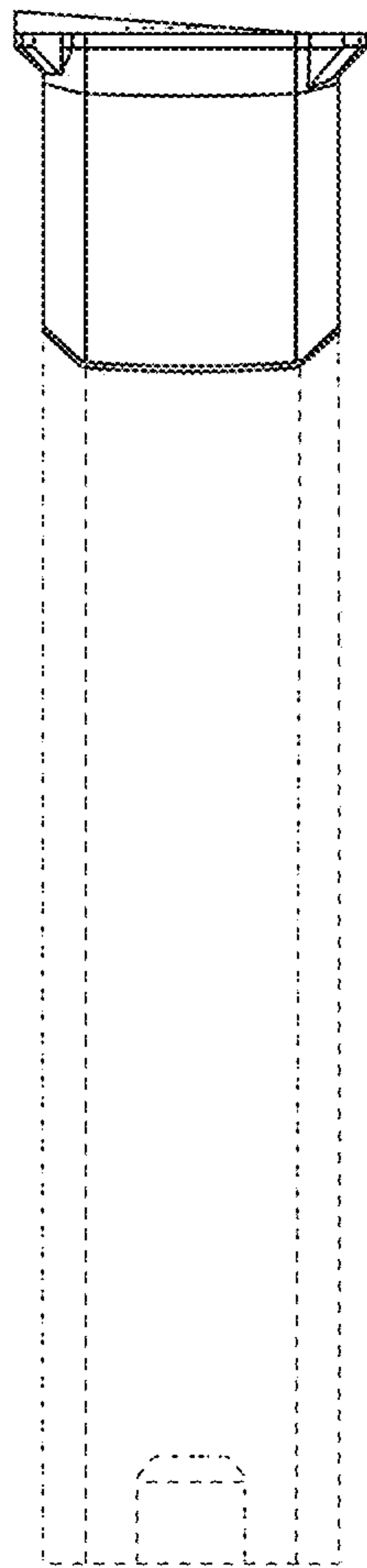


FIG. 13

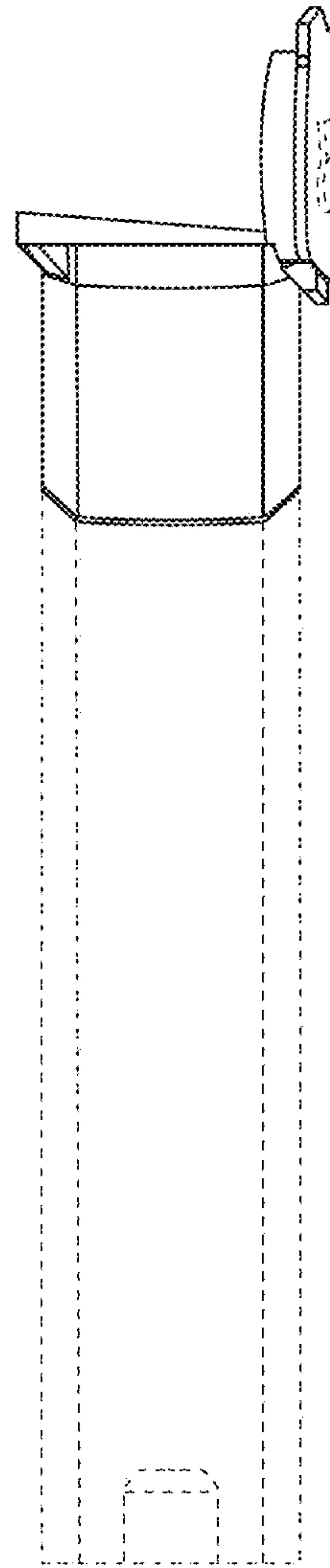


FIG. 14

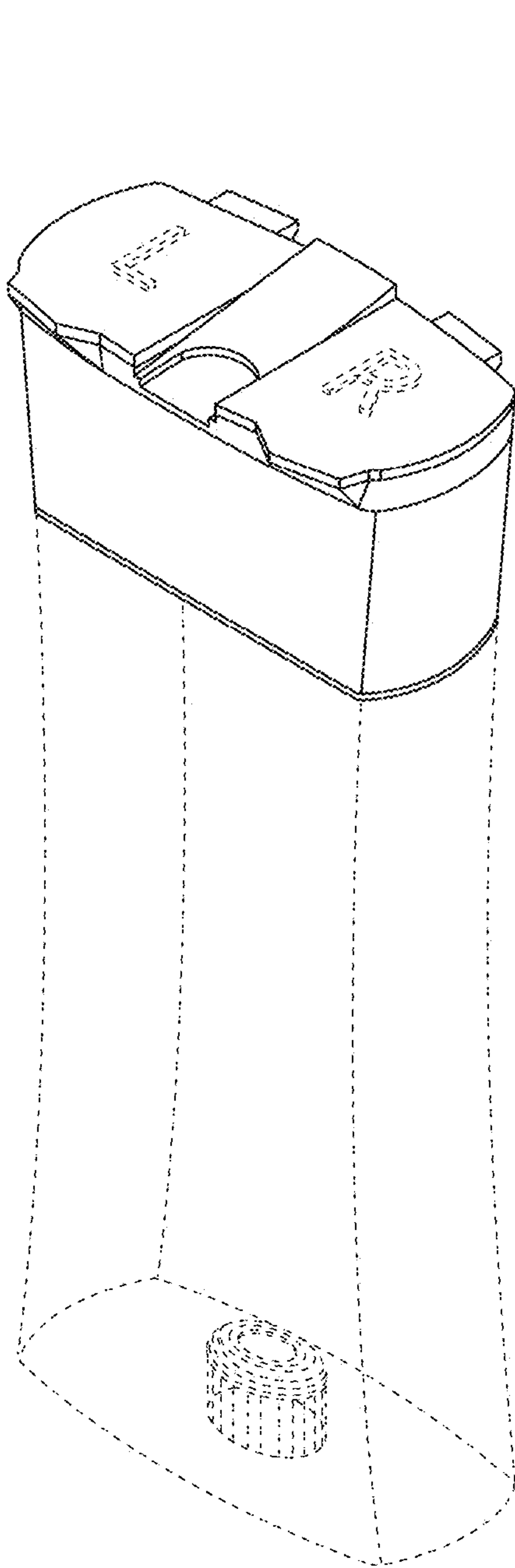


FIG. 15

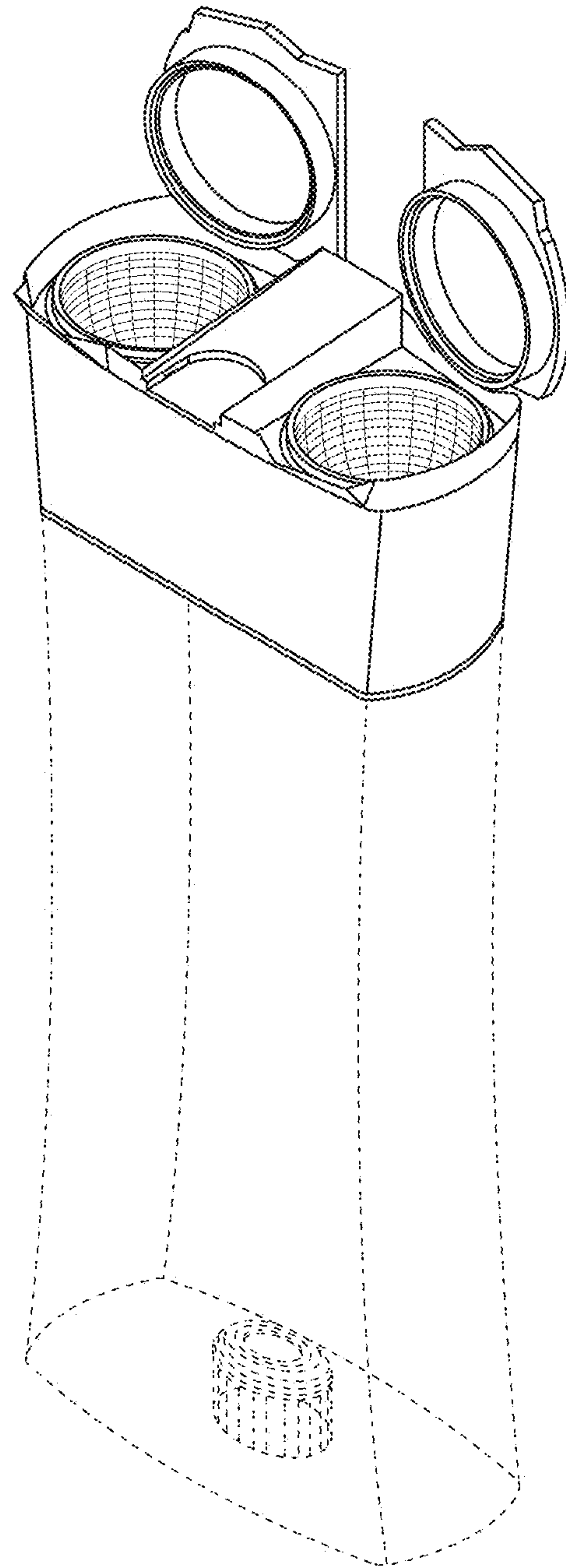


FIG. 16

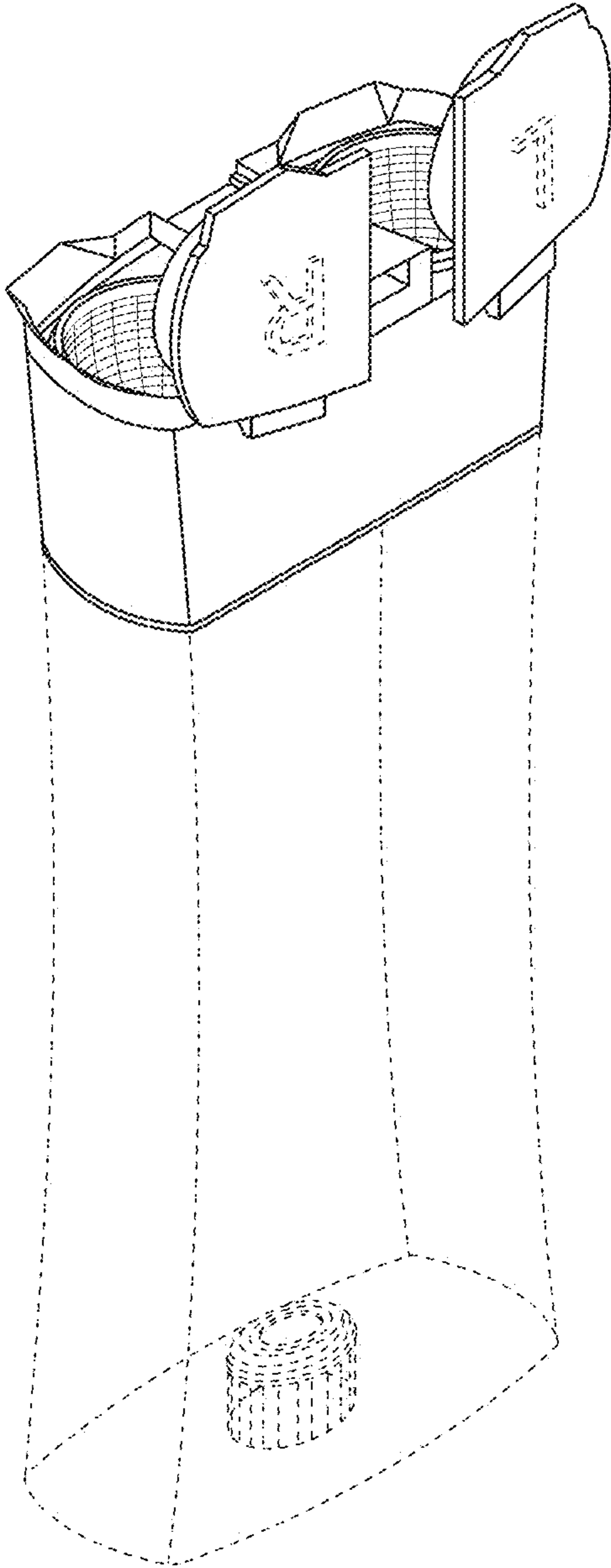


FIG. 17

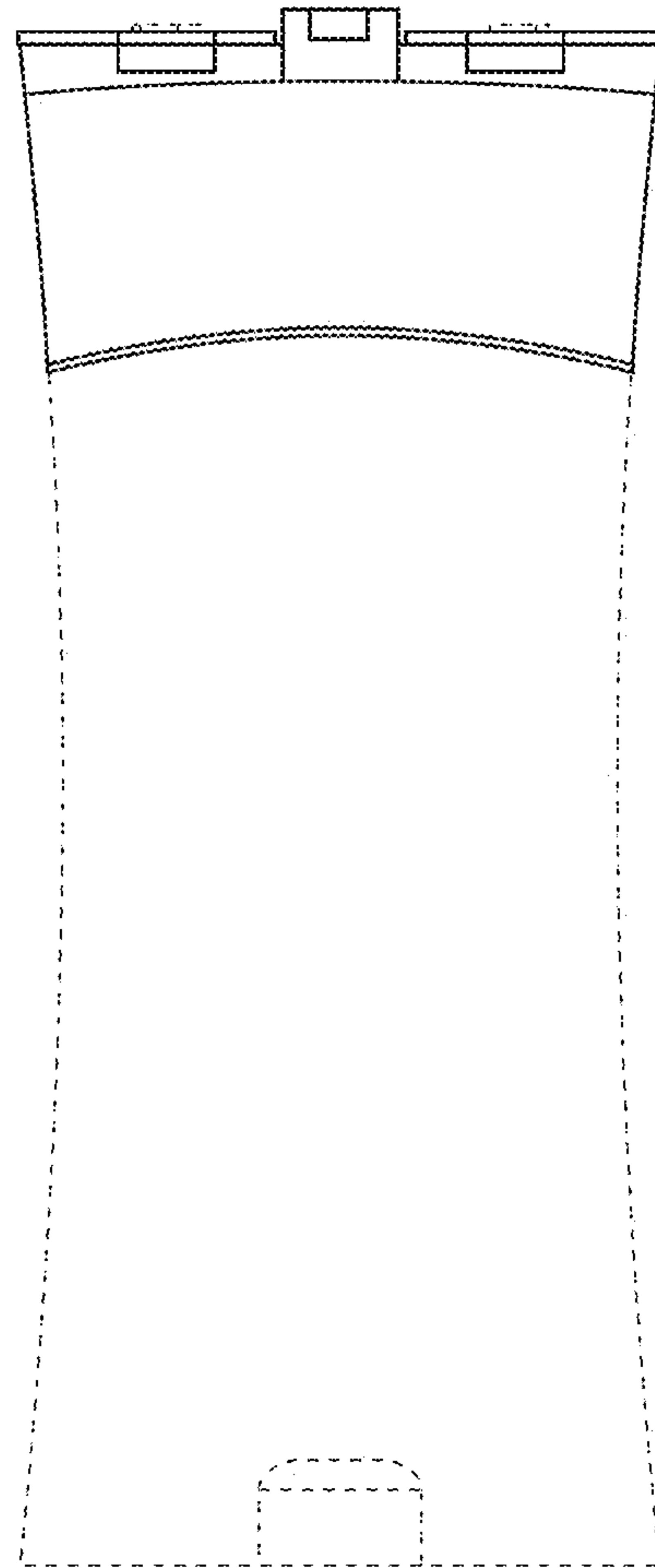


FIG. 18

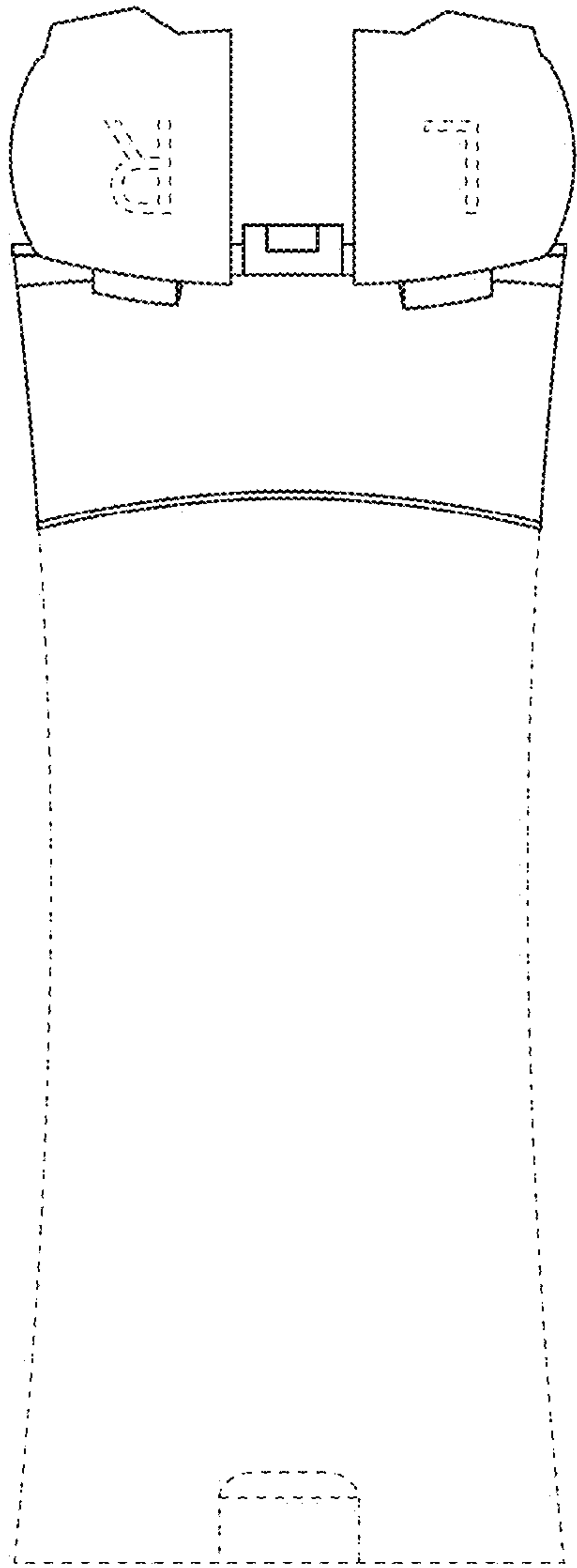


FIG. 19

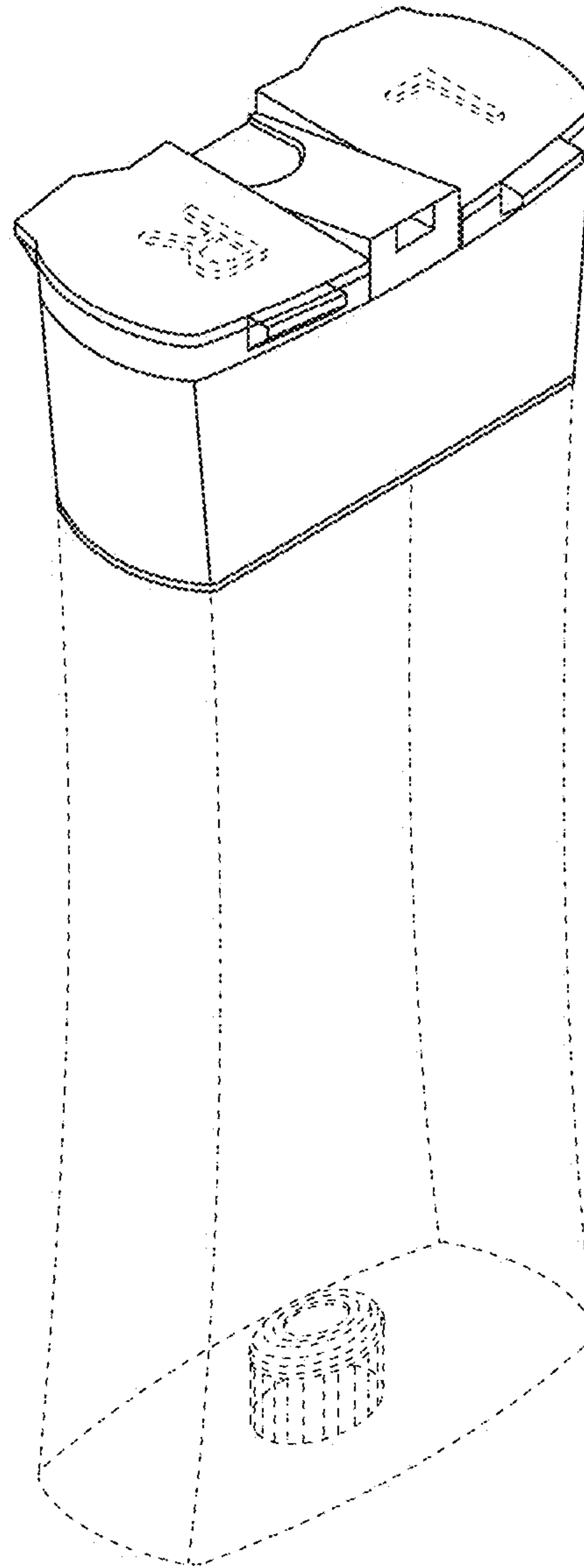


FIG. 20

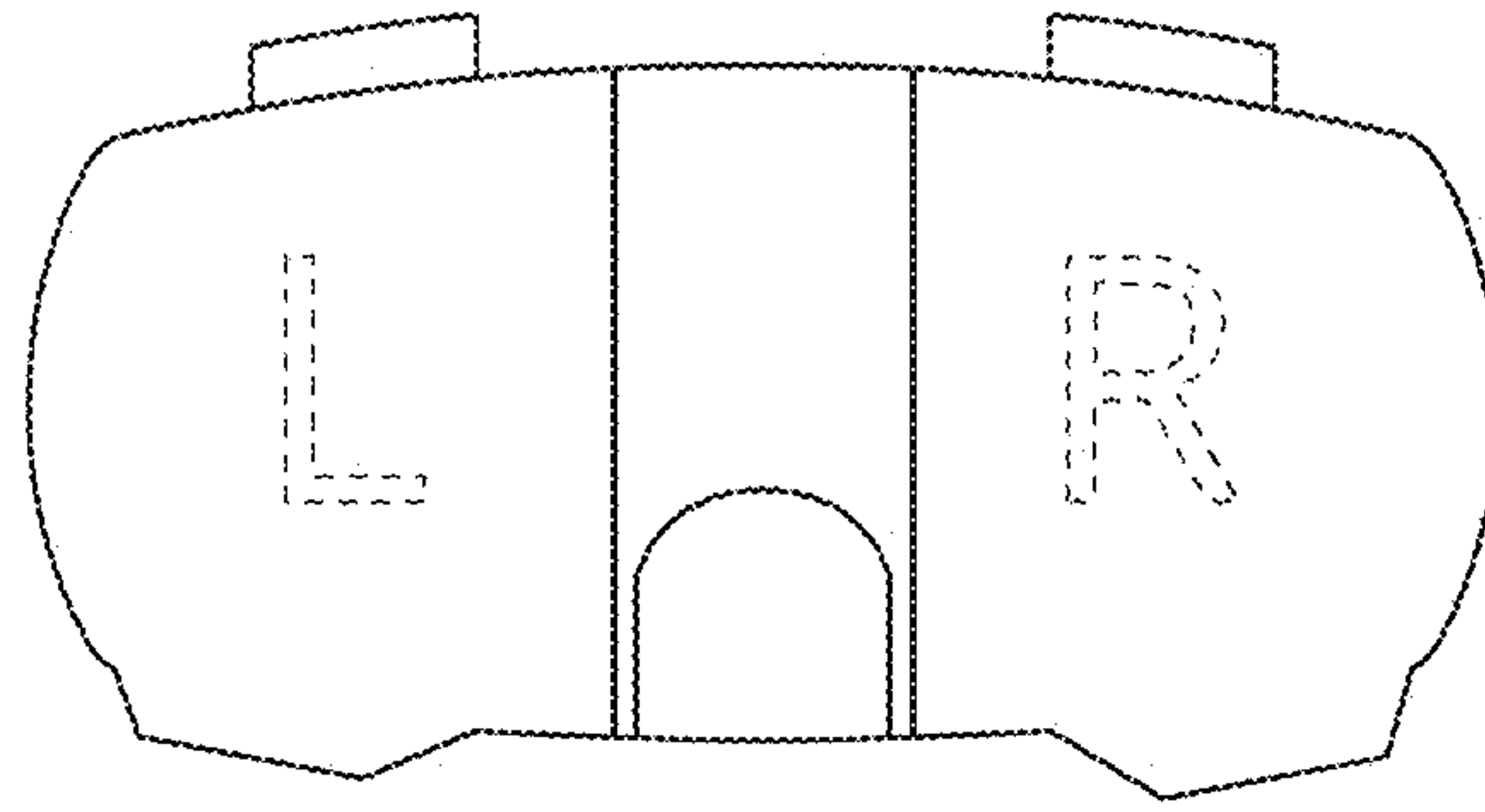


FIG. 21

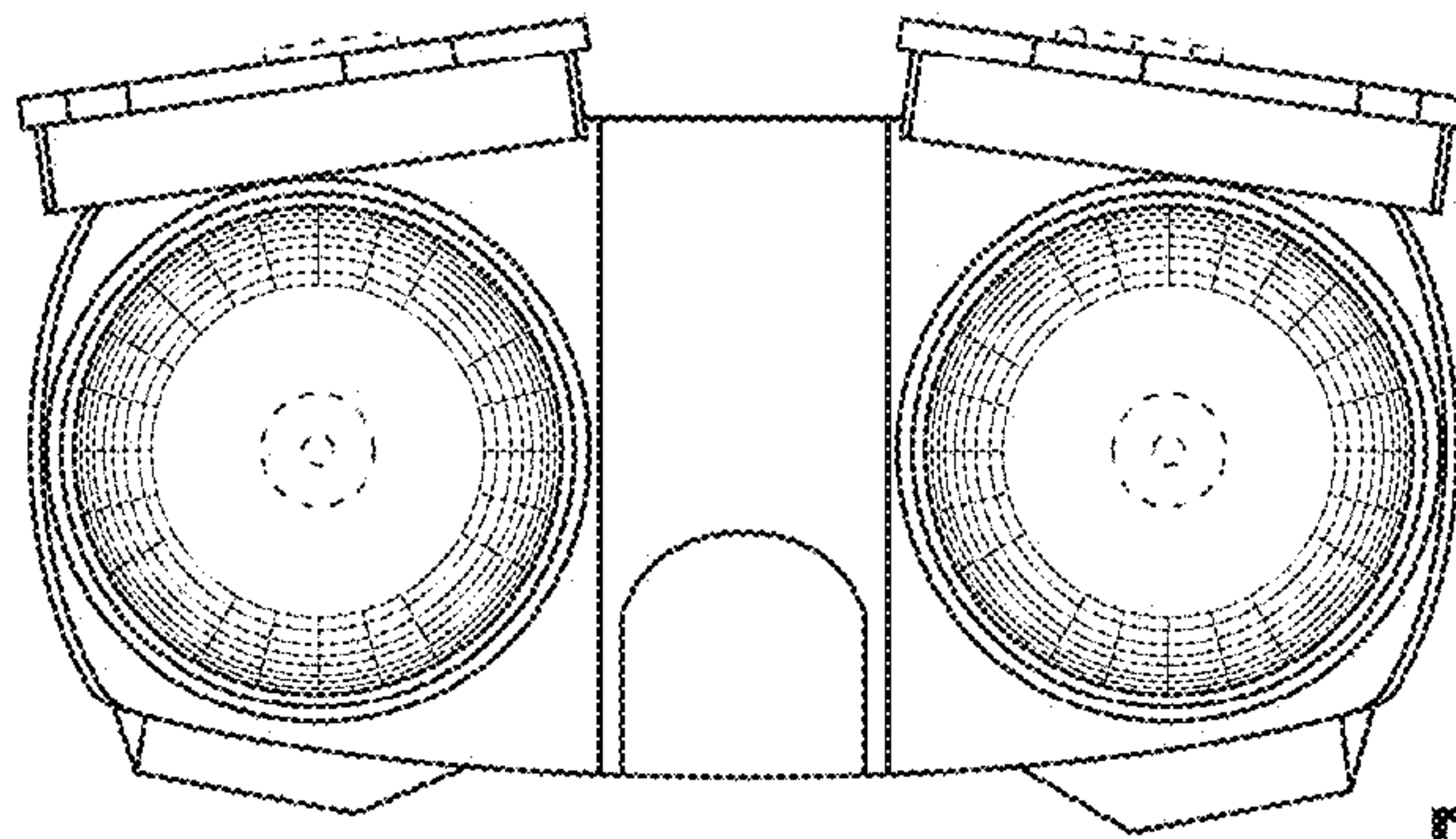


FIG. 22

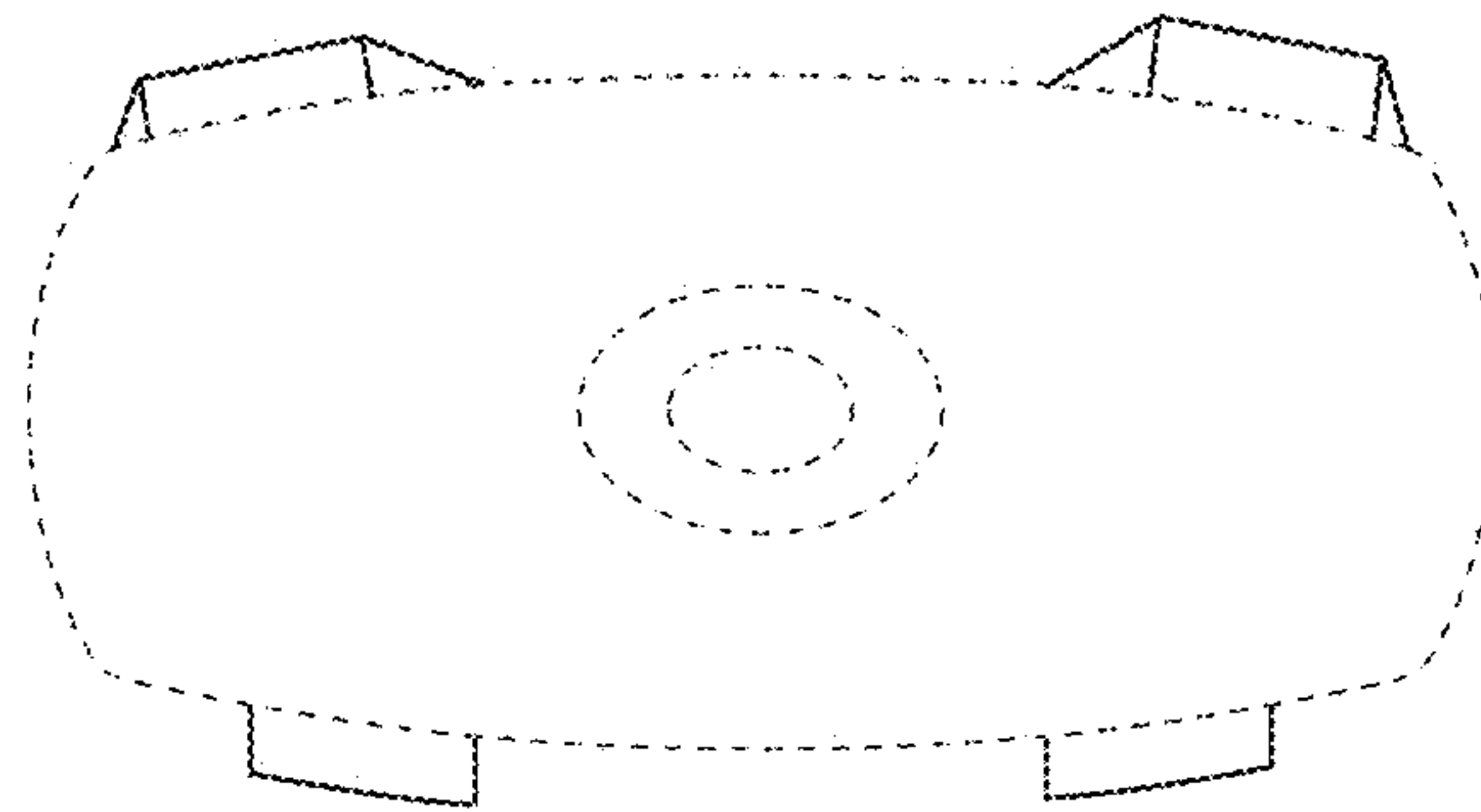


FIG. 23

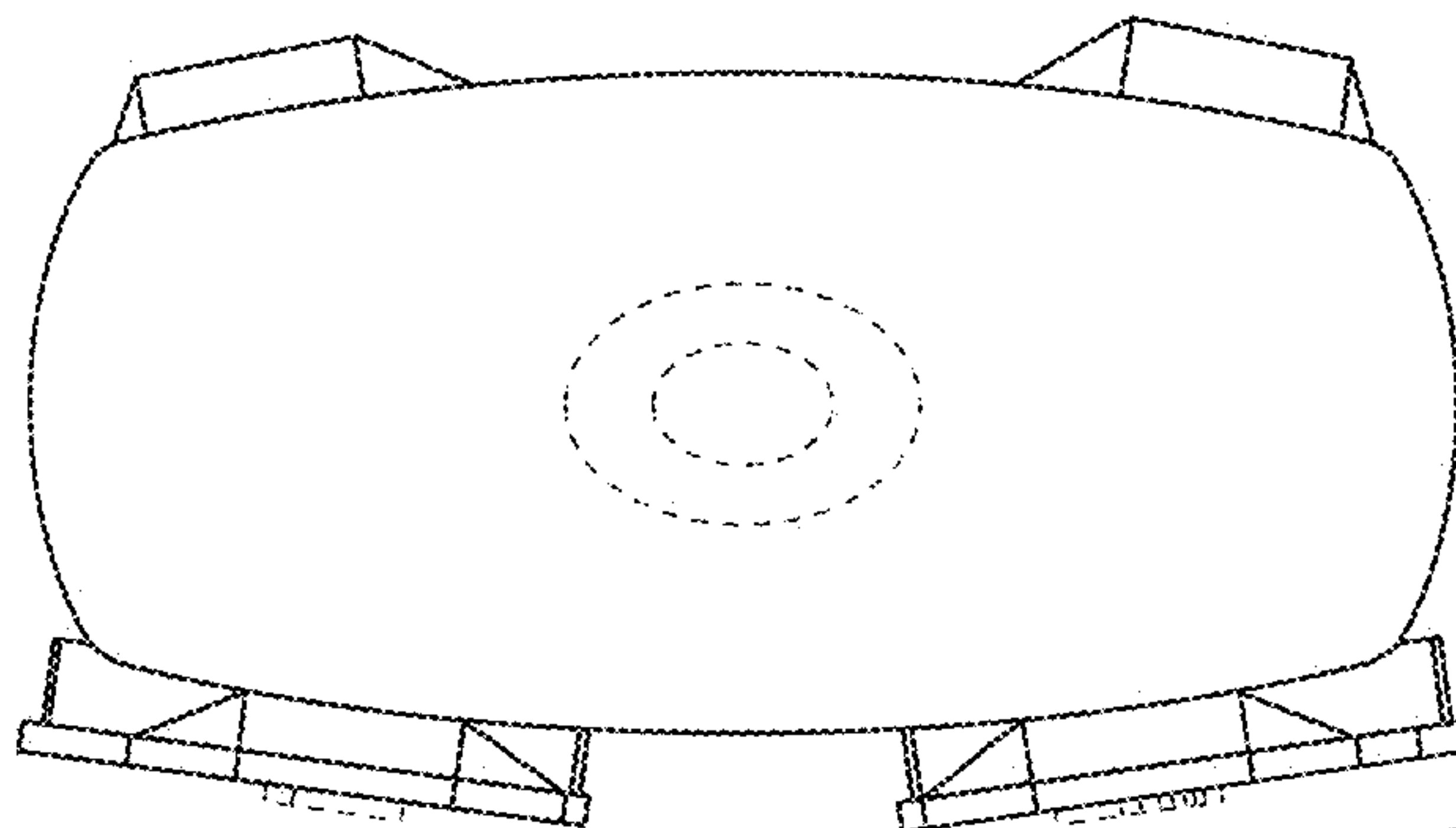


FIG. 24

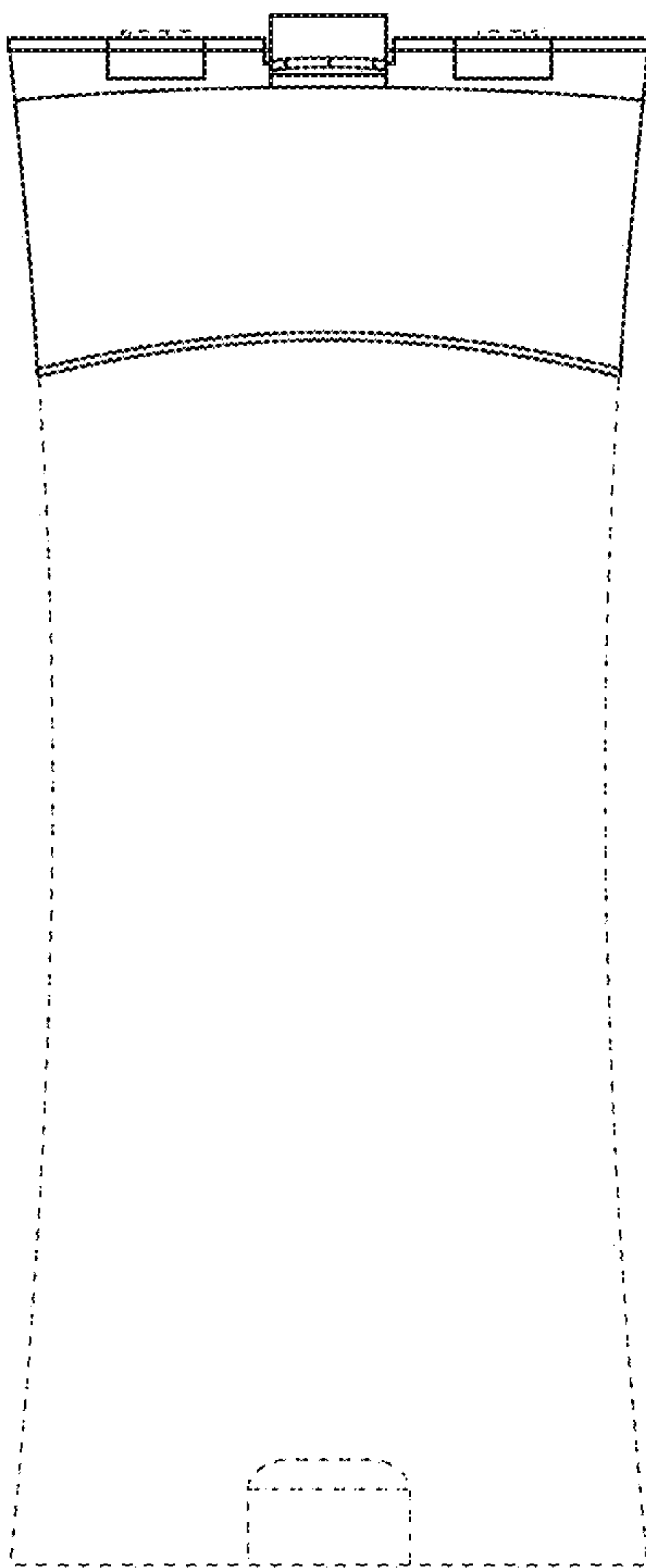


FIG. 25

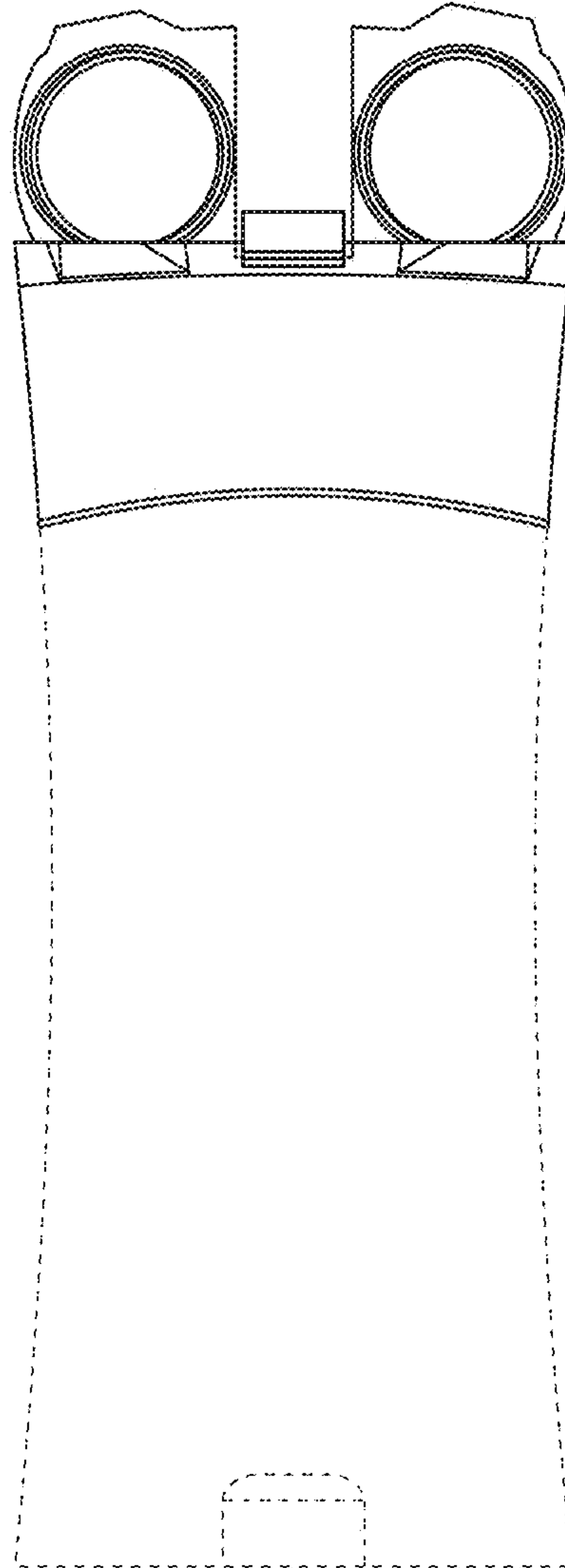


FIG. 26

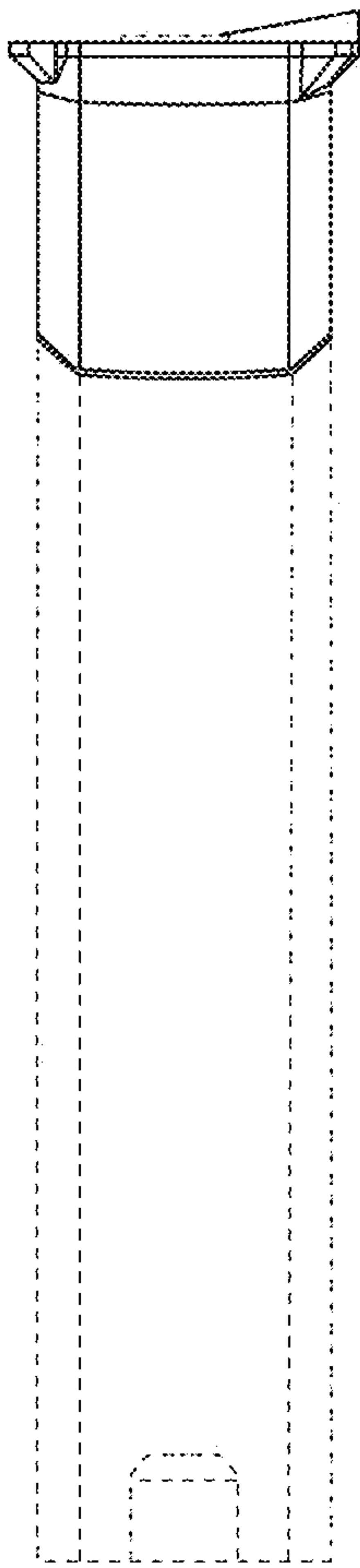


FIG. 27

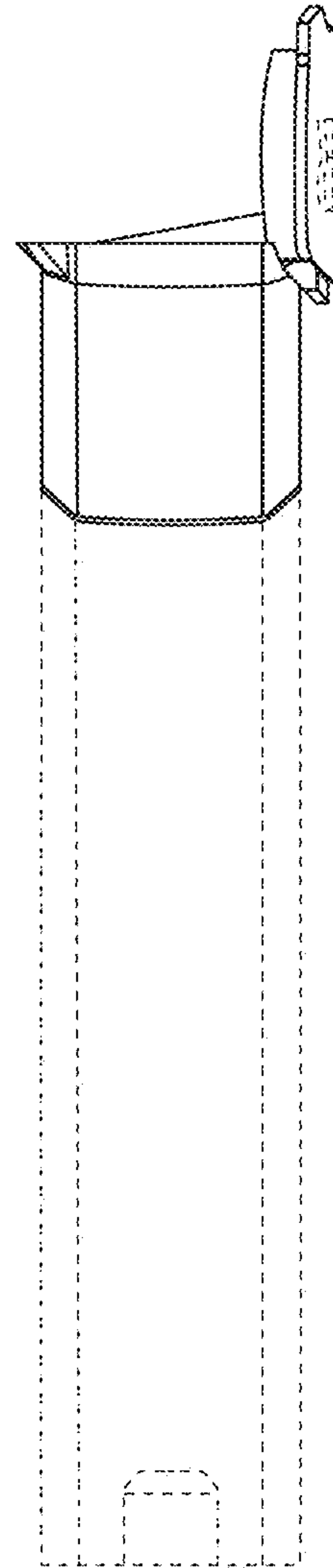


FIG. 28