



US00D911703S

(12) **United States Design Patent** (10) **Patent No.:** **US D911,703 S**
Yang (45) **Date of Patent:** **** Mar. 2, 2021**

(54) **HANDGUN CASE**
(71) Applicant: **Zijiang Yang**, Fontana, CA (US)
(72) Inventor: **Zijiang Yang**, Fontana, CA (US)
(**) Term: **15 Years**

D723,280 S * 3/2015 Sanz D3/318
D805,299 S * 12/2017 Zhang D3/283
D838,971 S * 1/2019 Deanda D3/203.6
D845,614 S * 4/2019 Decker D3/203.1
D869,471 S * 12/2019 Han D14/440
D870,115 S * 12/2019 Han D14/440
D888,425 S * 6/2020 Wang D3/287

(Continued)

(21) Appl. No.: **29/720,024**
(22) Filed: **Jan. 9, 2020**
(51) **LOC (13) Cl.** **03-01**
(52) **U.S. Cl.**
USPC **D3/262; D3/283; D3/285**
(58) **Field of Classification Search**
USPC D3/254, 260, 262, 273, 276, 283–289,
D3/293–294, 299, 301, 315, 904, 268,
D3/232, 217, 203.6; D7/605, 607
CPC A45C 3/00; A45C 2003/007; A45C
2003/008; A45C 5/00; A45C 5/03; A45C
5/06; A45C 2005/032; A45C 2005/035;
A45C 2005/037; A45C 7/00; A45C
7/0059; A45C 7/0063; A45F 3/02; A45F
2200/05; A45F 2200/0591

See application file for complete search history.

(56) **References Cited**

U.S. PATENT DOCUMENTS

D260,948 S * 9/1981 Katz D3/287
D314,470 S * 2/1991 Hutchins D3/283
D402,810 S * 12/1998 Alves D3/289
D412,787 S * 8/1999 Young D3/217
6,213,266 B1 * 4/2001 Hollingsworth A45C 5/14
150/111
6,237,766 B1 * 5/2001 Hollingsworth A45C 13/02
190/103
6,581,736 B1 * 6/2003 Scicluna A45C 13/40
150/106
D490,243 S * 5/2004 Domotor D3/283
D524,050 S * 7/2006 Suppancig D3/289
D535,100 S * 1/2007 Suppancig D3/283
D672,959 S * 12/2012 Denzinger D3/289

OTHER PUBLICATIONS

Savior Equipment Specialist Series . . . , first available Apr. 15, 2020, amazon.com [online], [site visited Nov. 30, 2020]. Available from internet URL: [https://www.amazon.com/Savior-Equipment-Specialist-Compartment-Additional/dp/B0875XD37L/ref=sr_1_3_sspa?dchild=1&keywords=savior%2Bequ%E2%80%A6\(Year:2020\).*](https://www.amazon.com/Savior-Equipment-Specialist-Compartment-Additional/dp/B0875XD37L/ref=sr_1_3_sspa?dchild=1&keywords=savior%2Bequ%E2%80%A6(Year:2020).*)

(Continued)

Primary Examiner — Jeffrey D Asch
Assistant Examiner — Caitlin Ann Laverty

(57) **CLAIM**

I claim the ornamental design for a handgun case, as shown and described.

DESCRIPTION

FIG. 1 is an isometric view of a handgun case showing my new design.

FIG. 2 is a front elevation view thereof.

FIG. 3 is a rear elevation view thereof.

FIG. 4 is a side elevation view thereof, with the opposite side being a mirror of that shown.

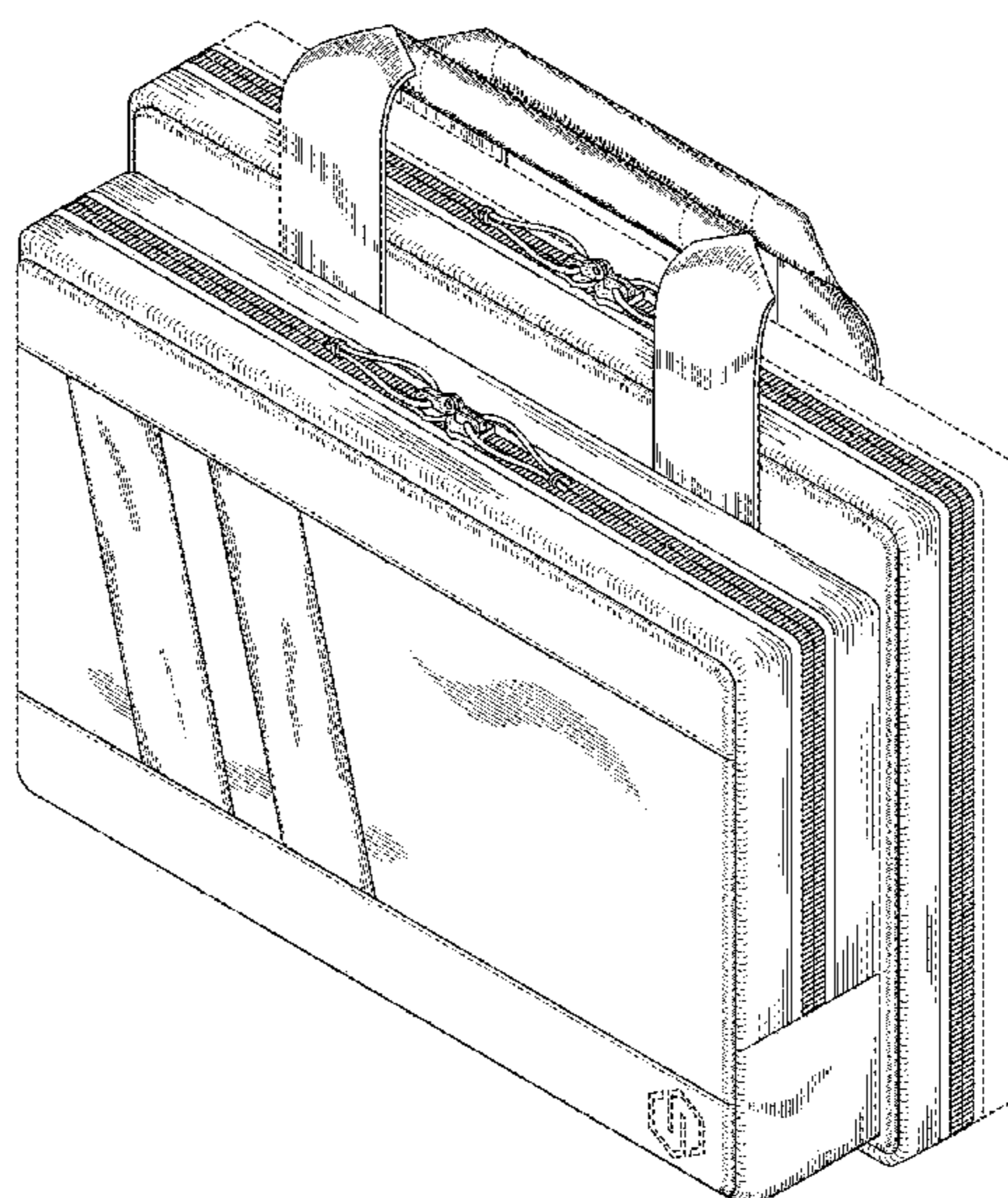
FIG. 5 is a top plan view thereof; and,

FIG. 6 is a bottom plan view thereof.

The broken lines are for environmental poses only and form no part of the claimed design. The design shown is not to be limited to any particular size and may be scaled larger or smaller.

The claimed handgun case can be used to store handguns and shooting accessories.

1 Claim, 5 Drawing Sheets



(56)

References Cited

U.S. PATENT DOCUMENTS

D893,180 S * 8/2020 Yang D3/262
2003/0042093 A1 * 3/2003 Godshaw A45C 5/14
190/115
2004/0045781 A1 * 3/2004 Scicluna A45C 13/42
190/110
2009/0218186 A1 * 9/2009 Sherr A45C 13/1069
190/111
2013/0175130 A1 * 7/2013 Liang A45C 5/14
190/18 A

OTHER PUBLICATIONS

Tactical Pistol Case Soft Range Bag . . . , first available Jun. 25, 2019, amazon.com [online], [site visited Nov. 30, 2020], Available from internet URL: https://www.amazon.com/Tactical-Pistol-Range-Handguns-Green/dp/B07TJ54ST1/ref=sr_1_7?dchild=1&keywords=camo%2Btactical%2Bdouble%2Bp%E2%80%A6 (Year: 2019).*

ProCase Tactical Pistol Case . . . , first available Dec. 18, 2018, amazon.com [online], [site visited Nov. 30, 2020], Available from internet URL: https://www.amazon.com/dp/B07LFTWN55/ref=twister_B07LFTZW7F?_encoding=UTF8&psc=1 (Year: 2018).*

* cited by examiner

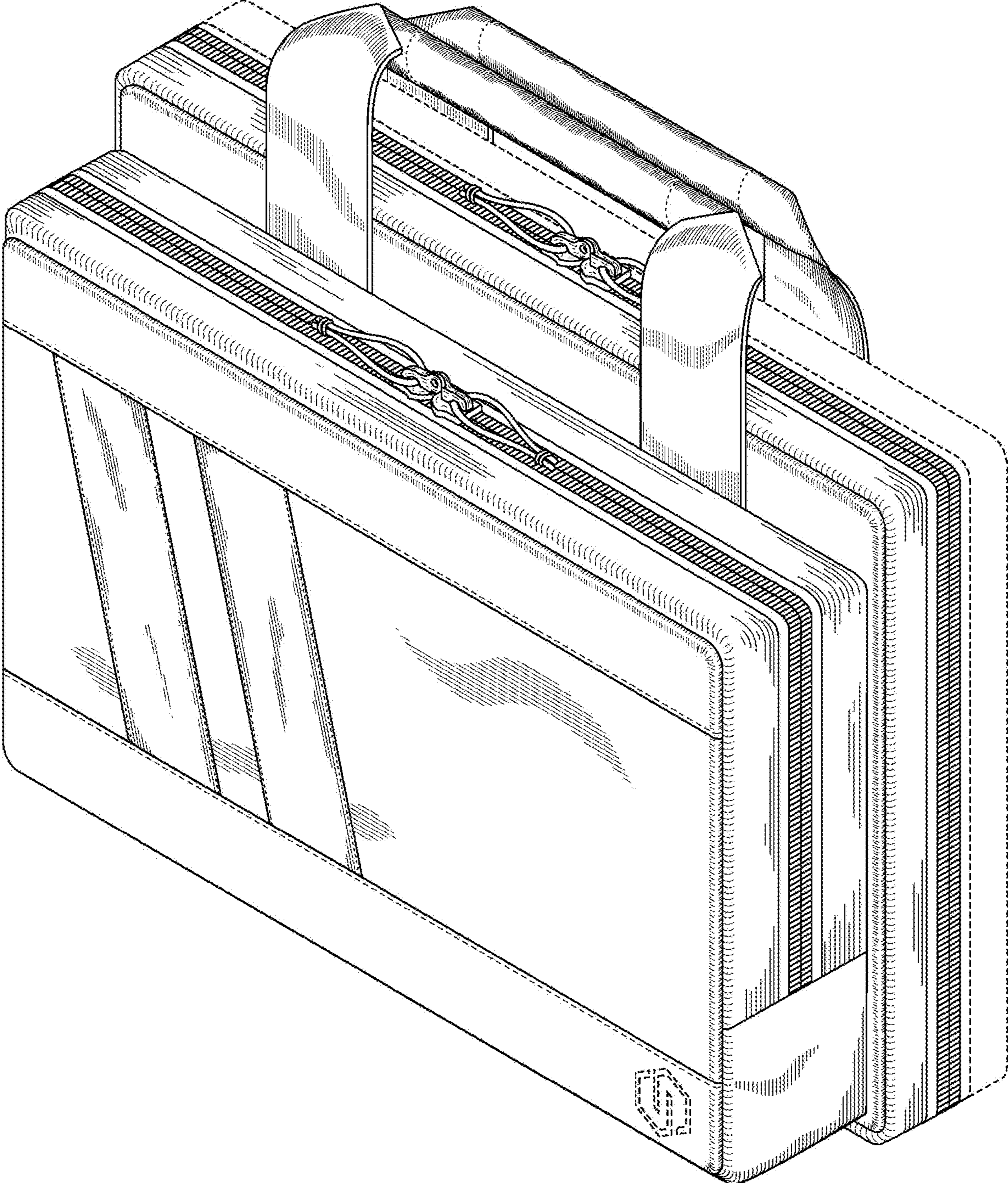


Fig. 1

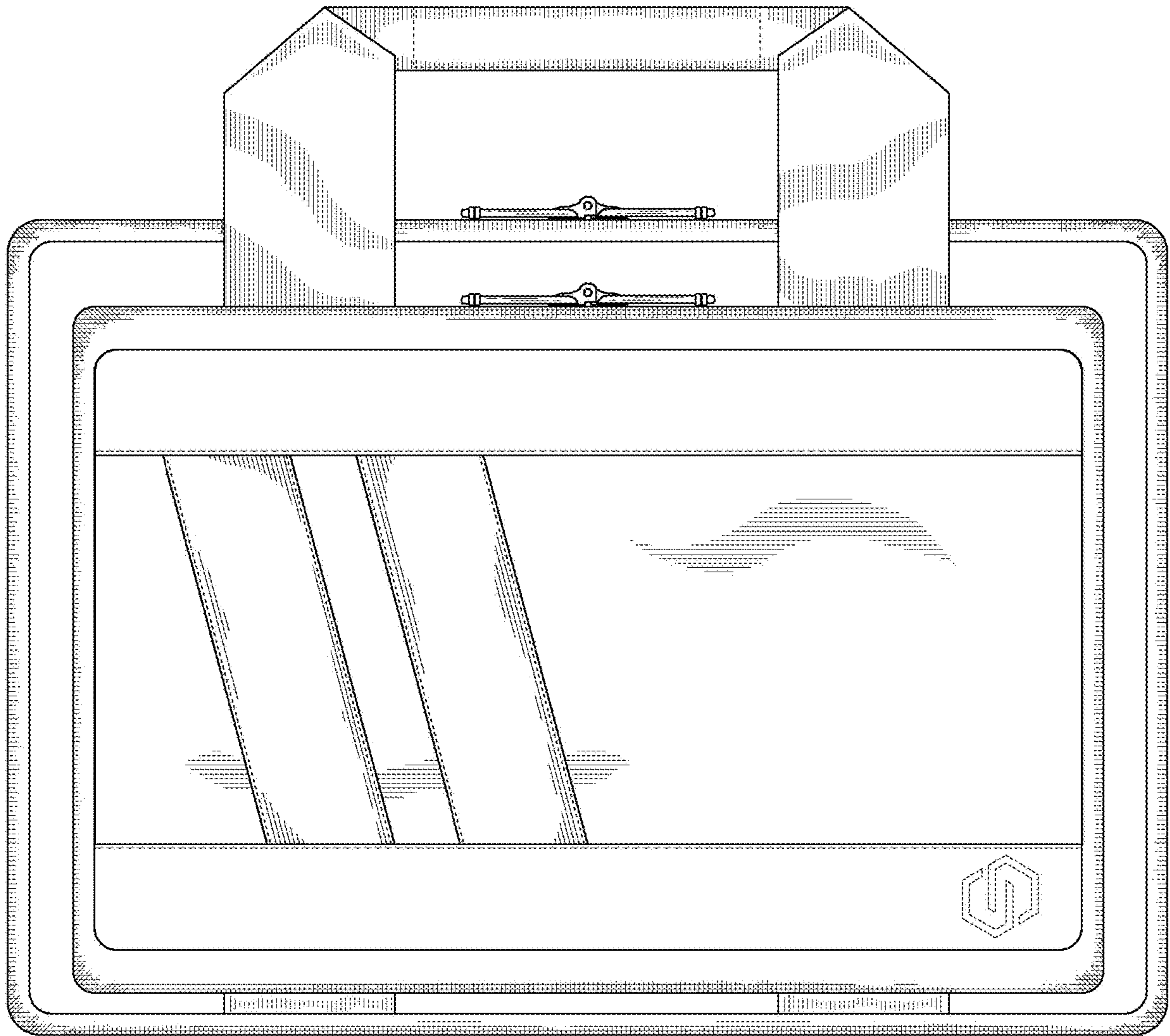


Fig. 2

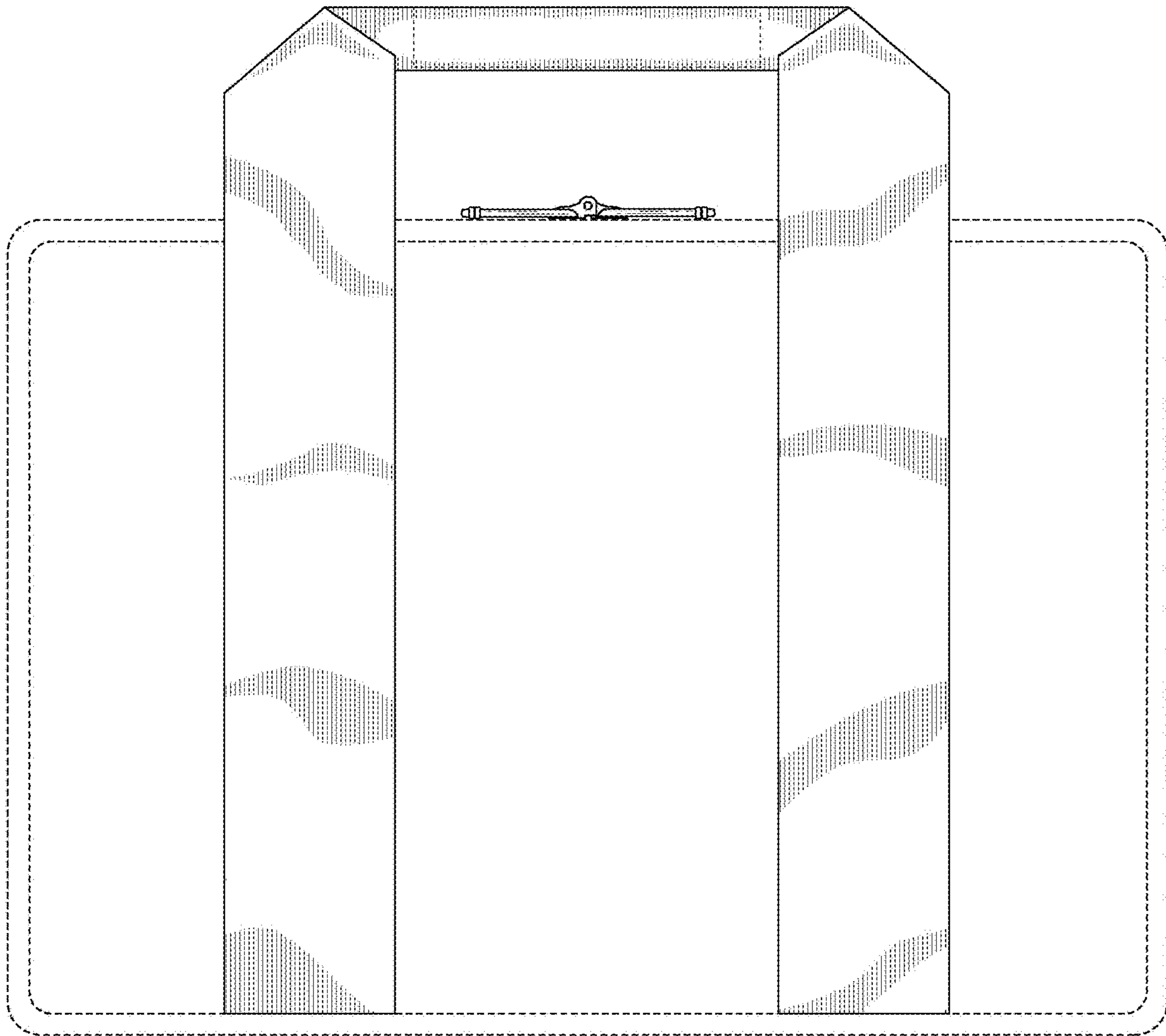


Fig. 3

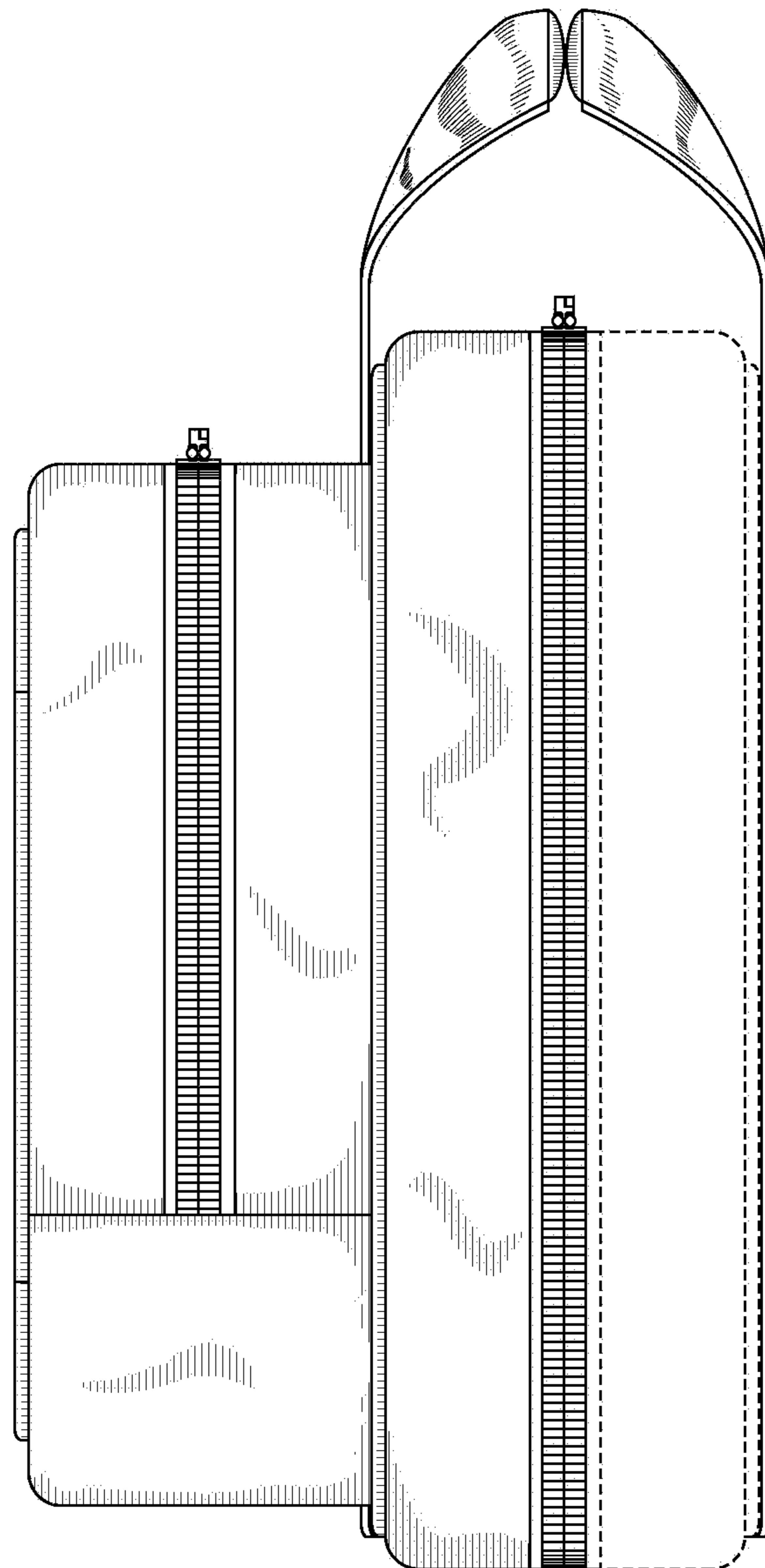


Fig. 4

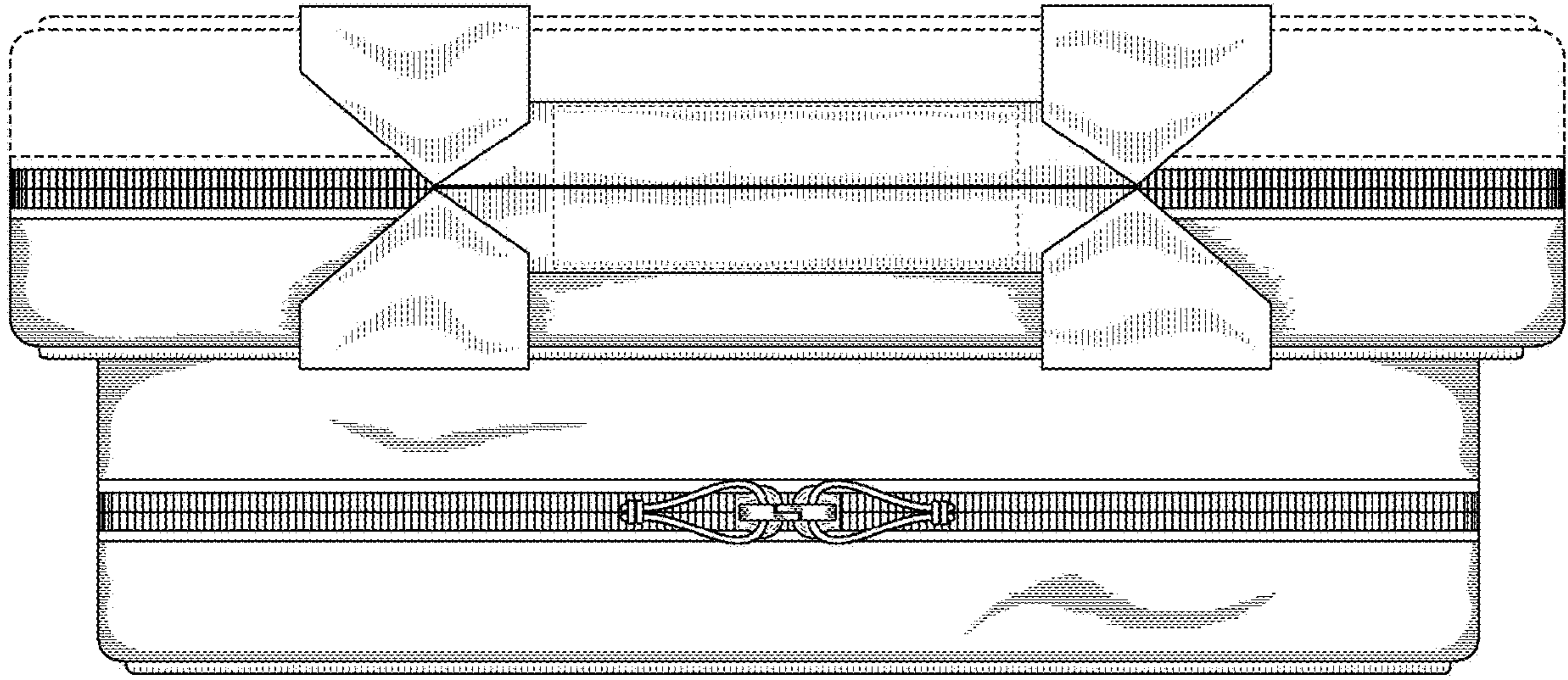


Fig. 5

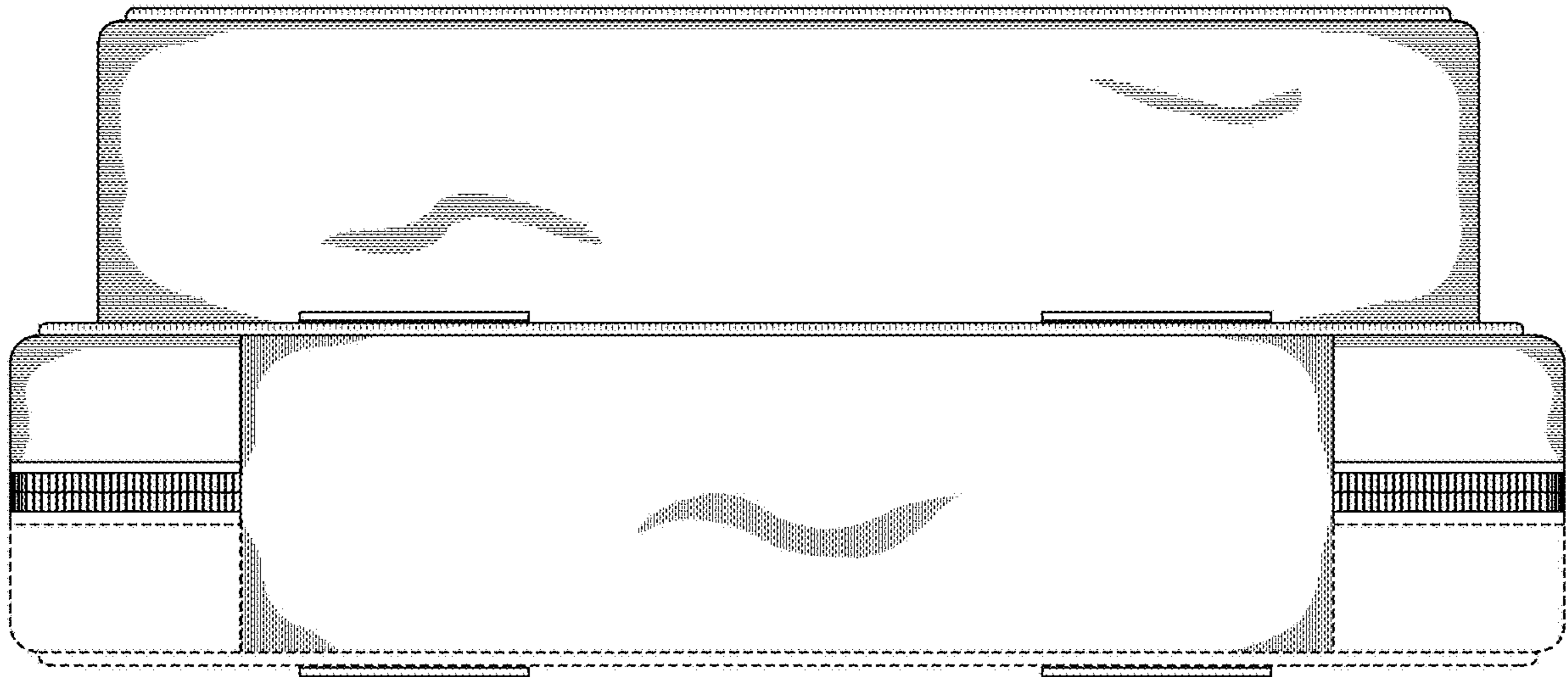


Fig. 6