



US00D911702S

(12) **United States Design Patent**
Altepeter

(10) **Patent No.:** **US D911,702 S**
(45) **Date of Patent:** **** Mar. 2, 2021**

(54) **KEY FOB**

(71) Applicant: **Steven Altepeter**, Grand Forks, ND
(US)

(72) Inventor: **Steven Altepeter**, Grand Forks, ND
(US)

(**) Term: **15 Years**

(21) Appl. No.: **29/743,186**

(22) Filed: **Jul. 20, 2020**

(51) **LOC (13) Cl.** **03-01**

(52) **U.S. Cl.**
USPC **D3/207**

(58) **Field of Classification Search**
USPC D3/203.1, 207, 208, 209, 210, 211, 212,
D3/249; D8/34, 38, 105
CPC Y10T 24/45319; Y10T 24/45366; Y10T
70/873; Y10T 70/8757; Y10T 24/1379;
Y10T 24/45026; Y10T 70/8676; Y10T
70/8703; A63B 29/02; F16B 45/02; A44B
15/002; A44B 15/00; A44B 15/005; A45C
11/325
See application file for complete search history.

5,156,028 A * 10/1992 Jiang E05B 67/006
70/18

D342,830 S 1/1994 Zeller

5,475,368 A 12/1995 Collins

D371,903 S * 7/1996 Song E05B 67/006
D3/207

D372,356 S 8/1996 Marguerite

D395,842 S * 7/1998 Kenna D11/81

5,953,940 A * 9/1999 Ling E05B 37/025
70/20

6,363,758 B1 * 4/2002 Ling E05B 37/025
70/22

D458,017 S 6/2002 Yehudai
(Continued)

Primary Examiner — Kevin K Rudzinski
Assistant Examiner — Amber J Rabie
(74) *Attorney, Agent, or Firm* — Christopher Pilling;
Johan Eide; My Patent Guys

(57) **CLAIM**
The ornamental design for a key fob, as shown and described.

DESCRIPTION

FIG. 1 is a front, left perspective view of a key fob showing my new design;
FIG. 2 is a front view thereof;
FIG. 3 is a rear view thereof;
FIG. 4 is a right side view thereof;
FIG. 5 is a left side view thereof;
FIG. 6 is a top view thereof;
FIG. 7 is a bottom view thereof;
FIG. 8 is a front, left perspective view of an alternative key fob showing my new design;
FIG. 9 is a rear view thereof;
FIG. 10 is a front view thereof;
FIG. 11 is a left side view thereof;
FIG. 12 is a right side view thereof;
FIG. 13 is a top view thereof; and,
FIG. 14 is a bottom view thereof.

1 Claim, 14 Drawing Sheets

(56) **References Cited**
U.S. PATENT DOCUMENTS

60,522 A * 12/1866 Jahne E05B 67/00
70/20

652,249 A * 6/1900 Crossman E05B 67/00
70/20

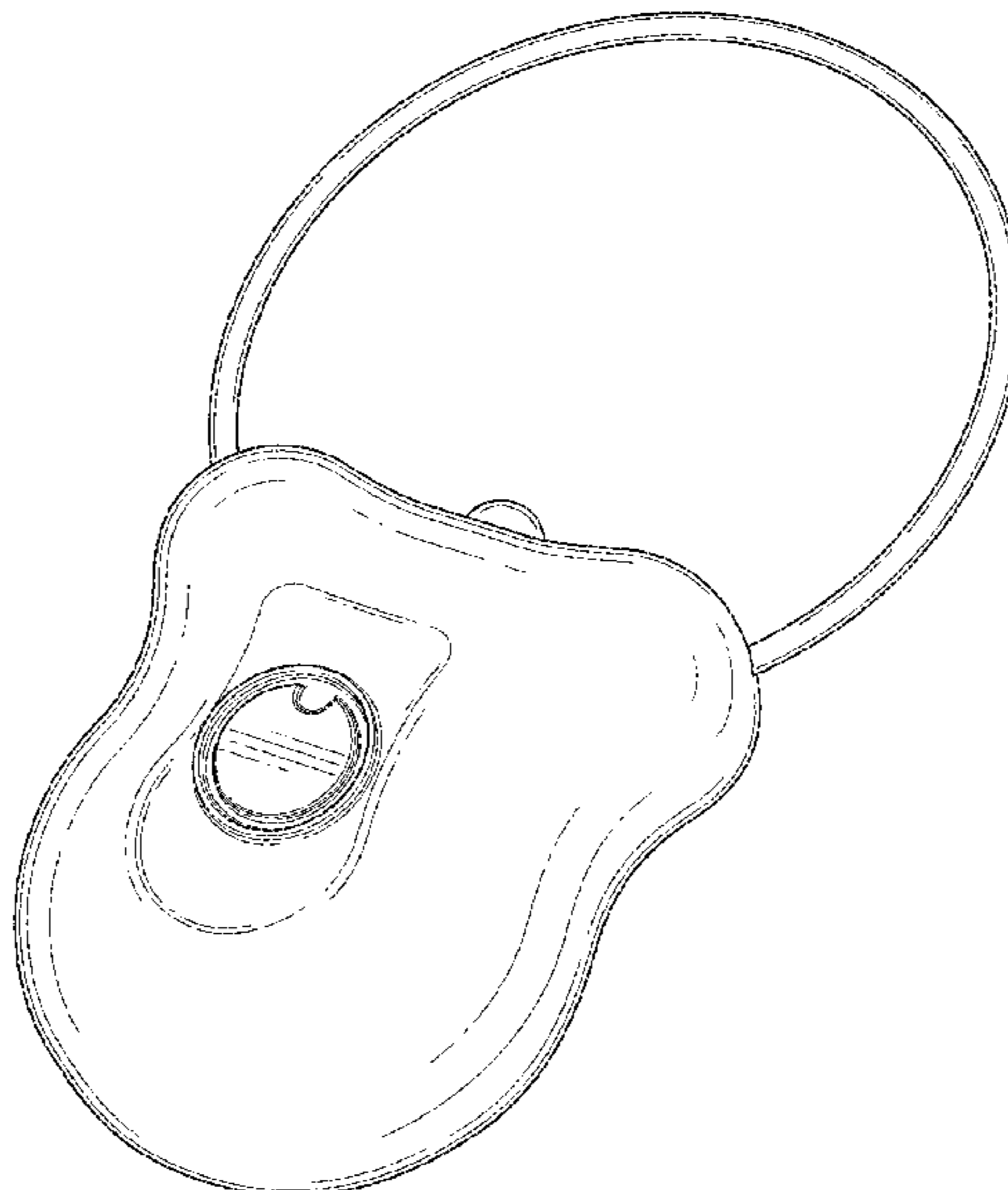
1,861,263 A * 5/1932 Cole A44C 5/2004
70/20

2,114,266 A 4/1938 Bodor

D122,665 S * 9/1940 Fassnacht E05B 37/025
D3/211

2,933,915 A * 4/1960 Gossner E05B 67/006
70/49

D265,778 S * 8/1982 Brentini D3/207



(56)

References Cited

U.S. PATENT DOCUMENTS

6,470,718 B1 * 10/2002 Yang E05B 67/003
70/25
D472,700 S 4/2003 MacDonald
7,131,298 B1 * 11/2006 Haraughty B62H 5/003
70/18
D619,353 S * 7/2010 Ash D3/208
7,966,704 B2 * 6/2011 Yurman A44C 5/2052
24/598.1
D904,924 S * 12/2020 Della Valle E05B 67/00
D11/81
2006/0164826 A1 7/2006 Ackermann et al.

* cited by examiner

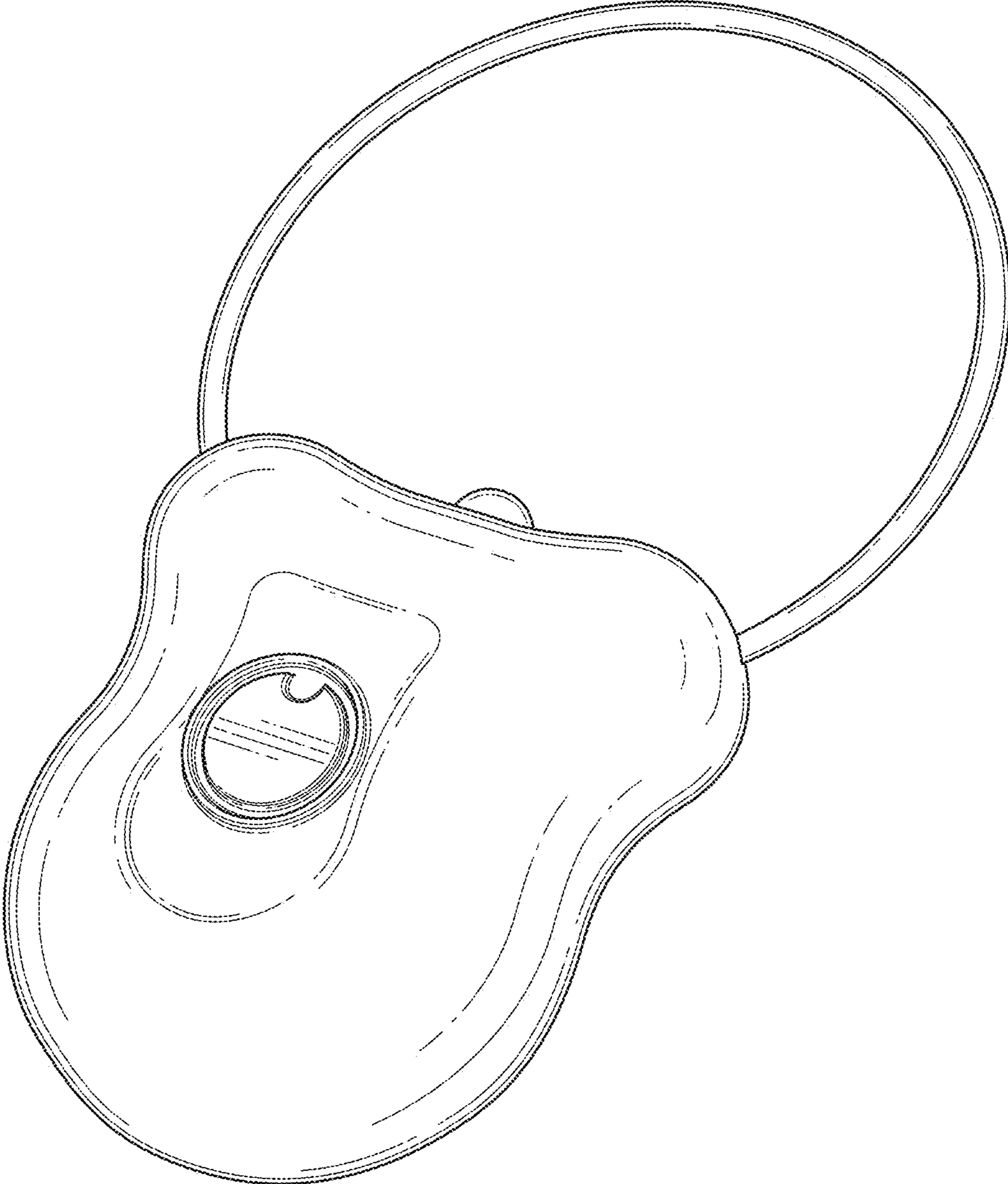


FIG. 1

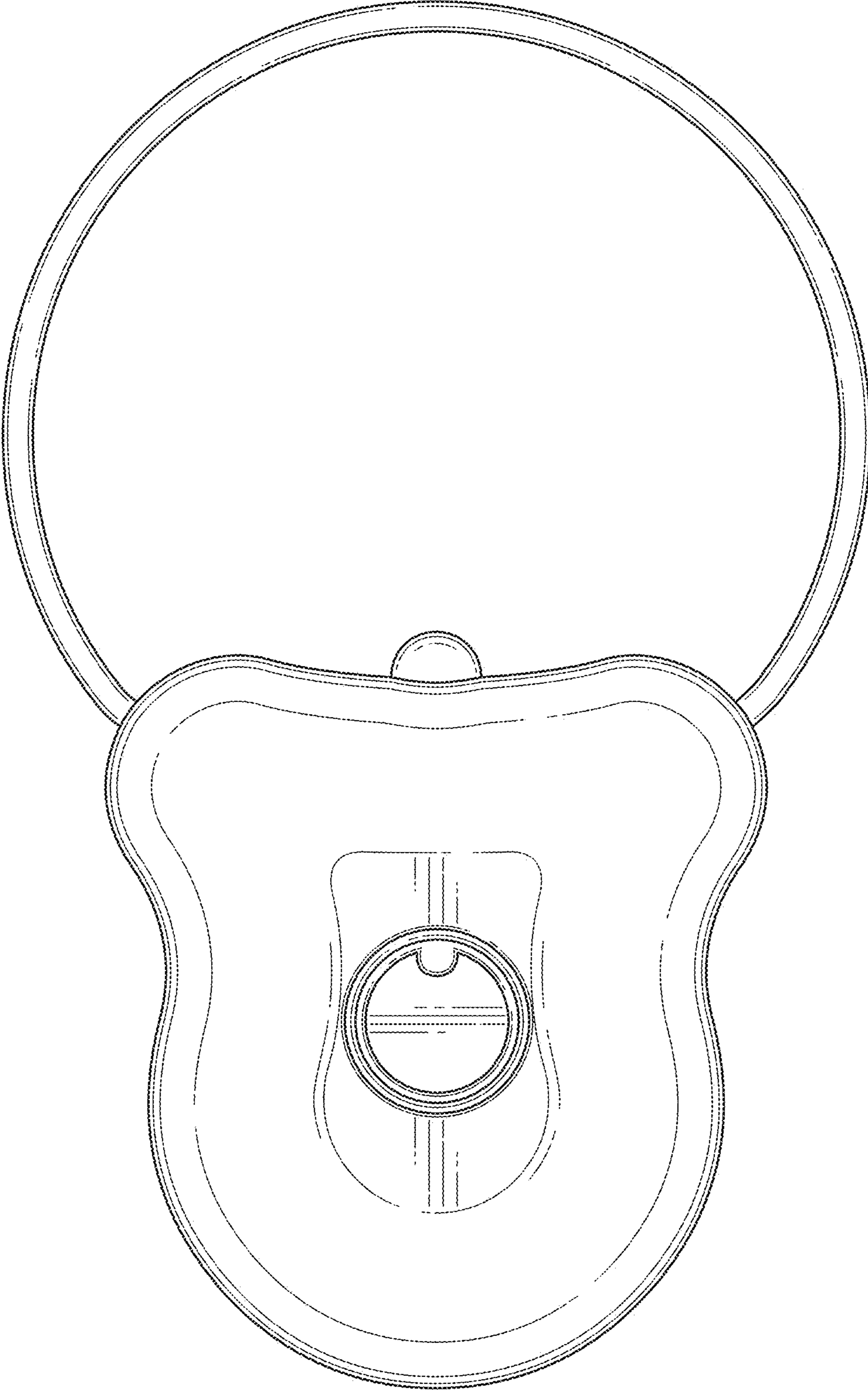


FIG. 2

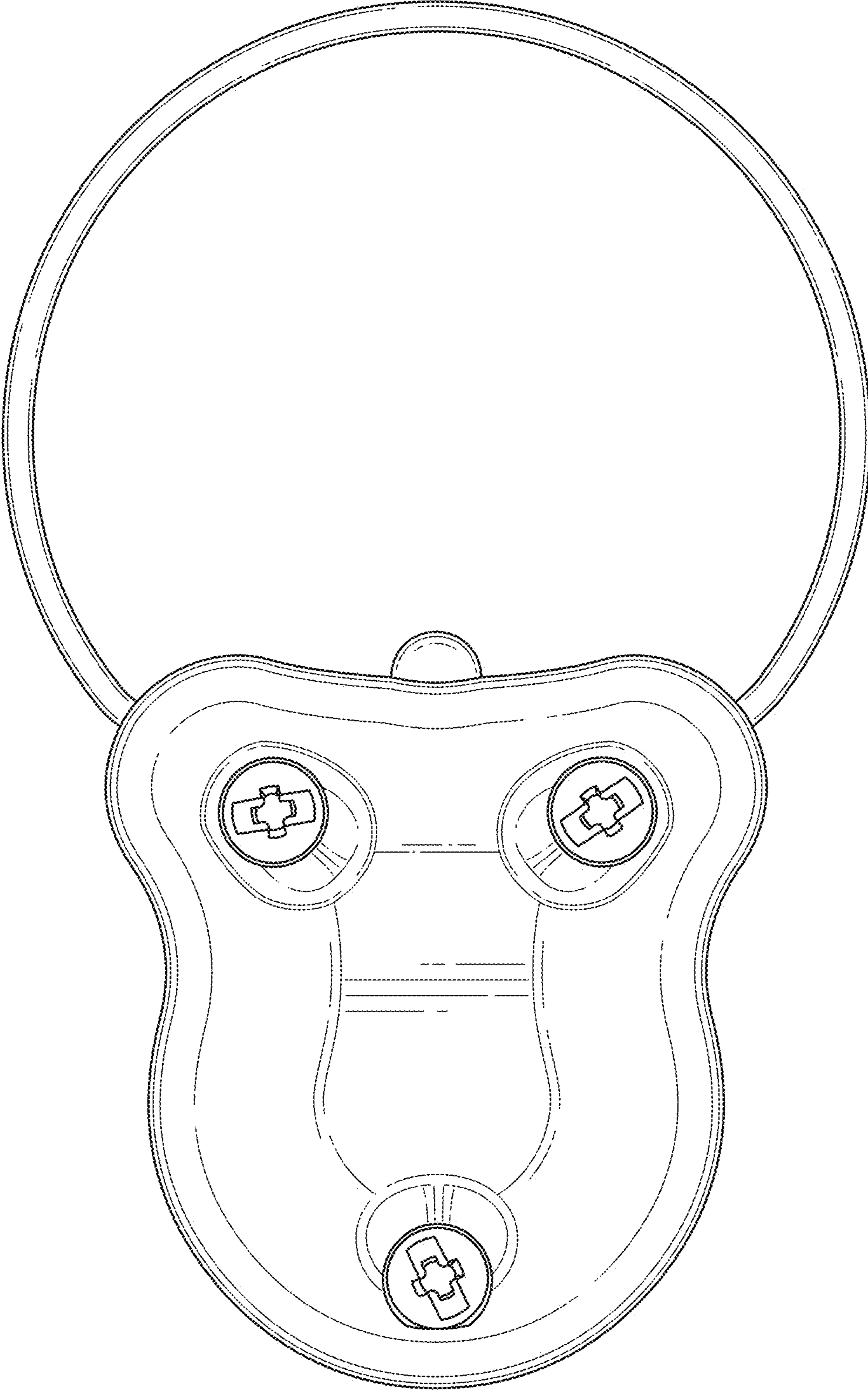


FIG. 3

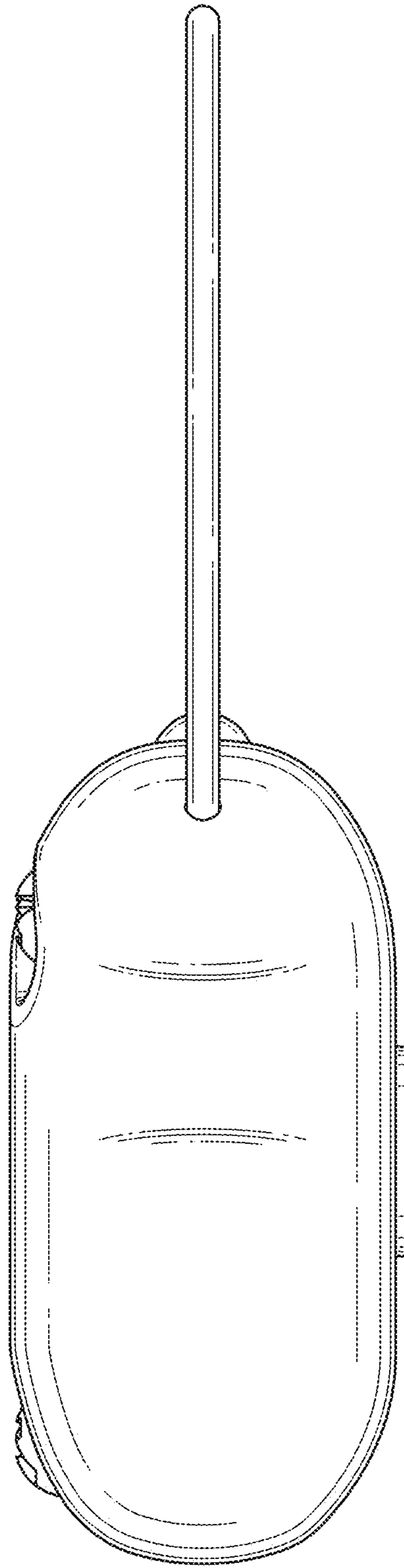


FIG. 4

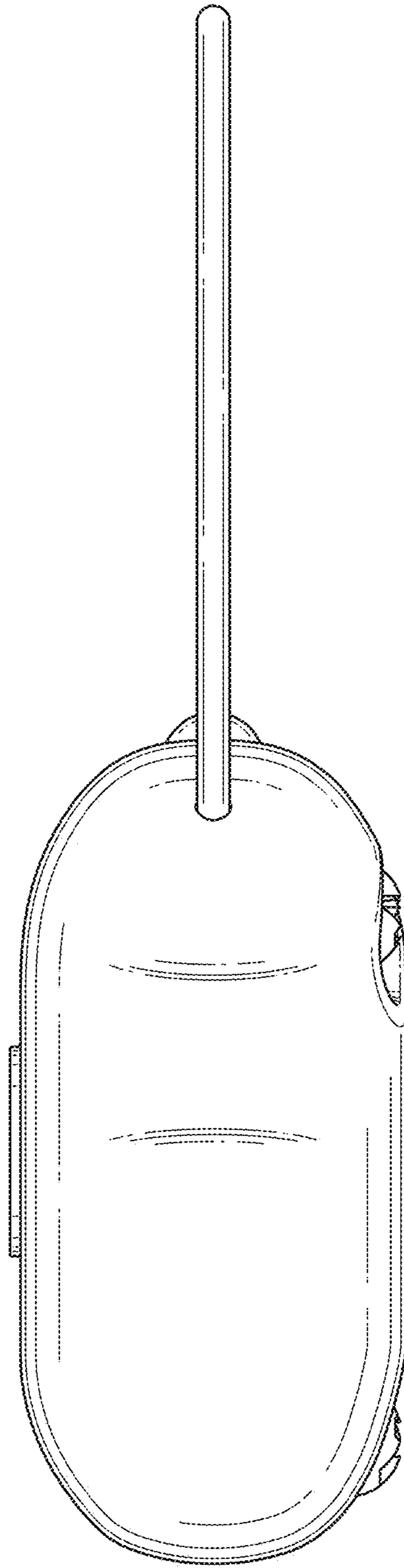


FIG. 5

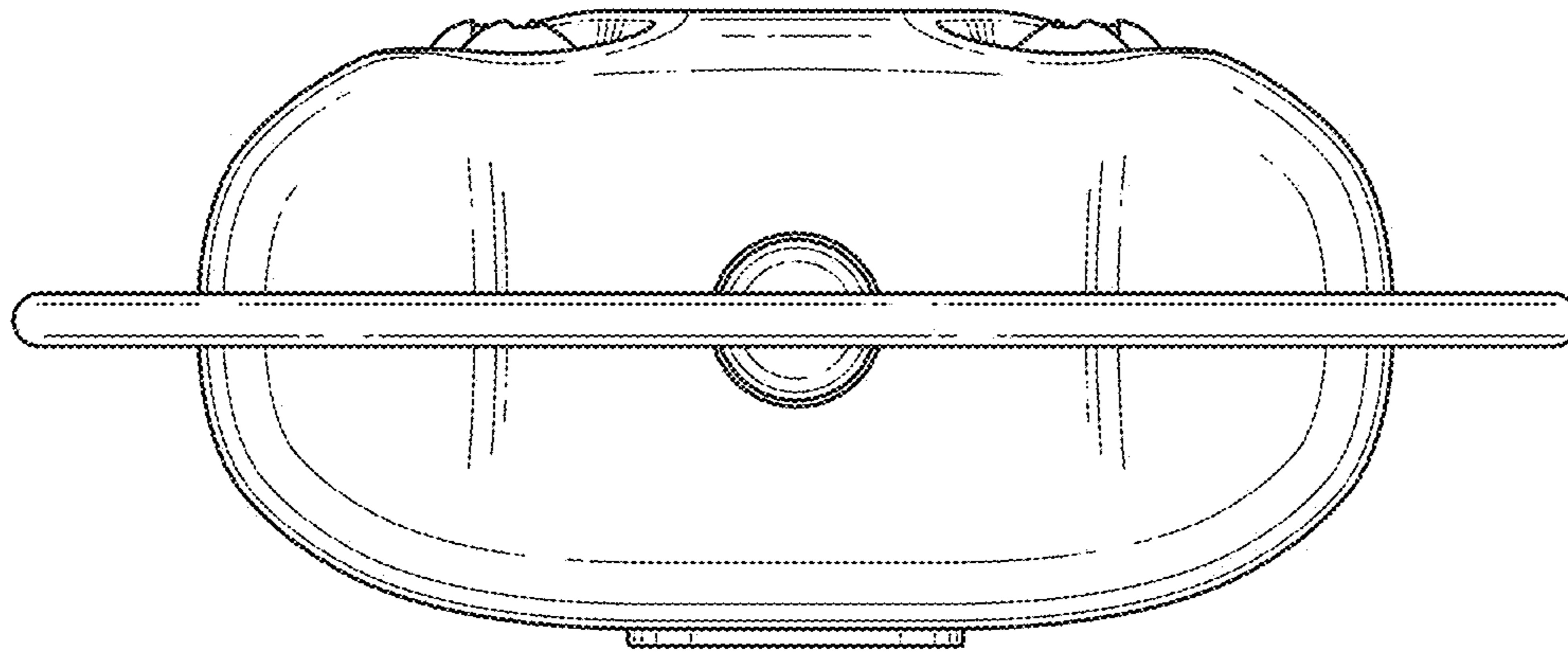


FIG. 6

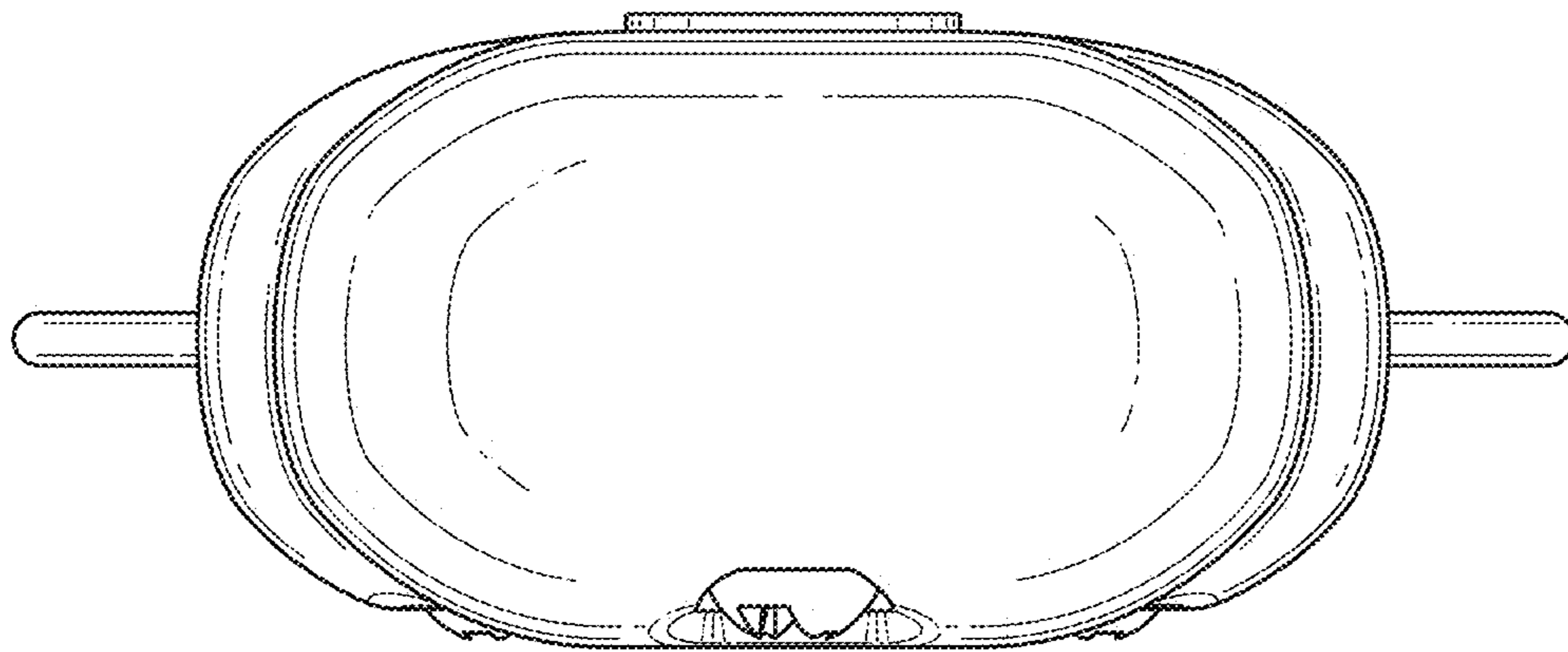


FIG. 7

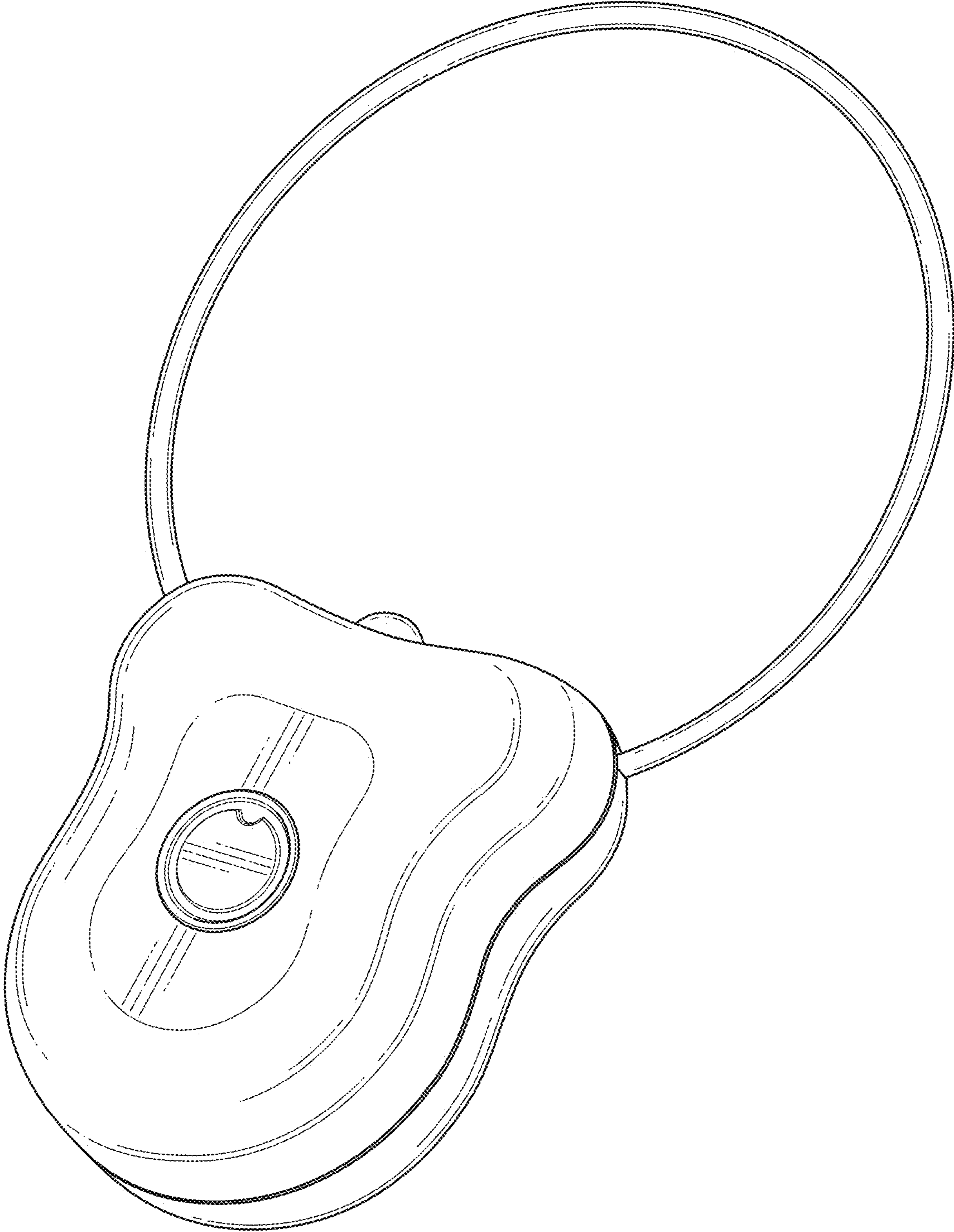


FIG. 8

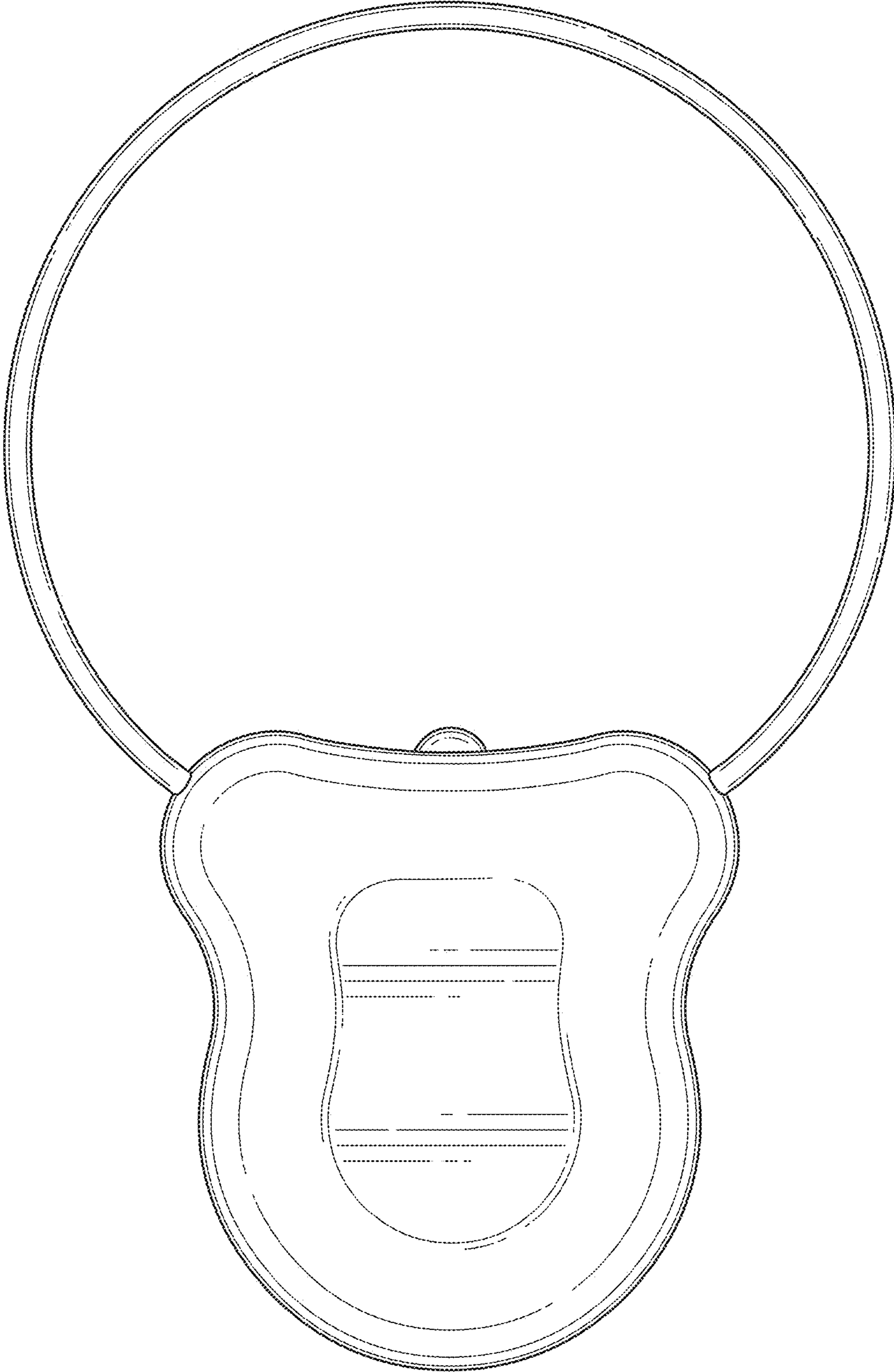


FIG. 9

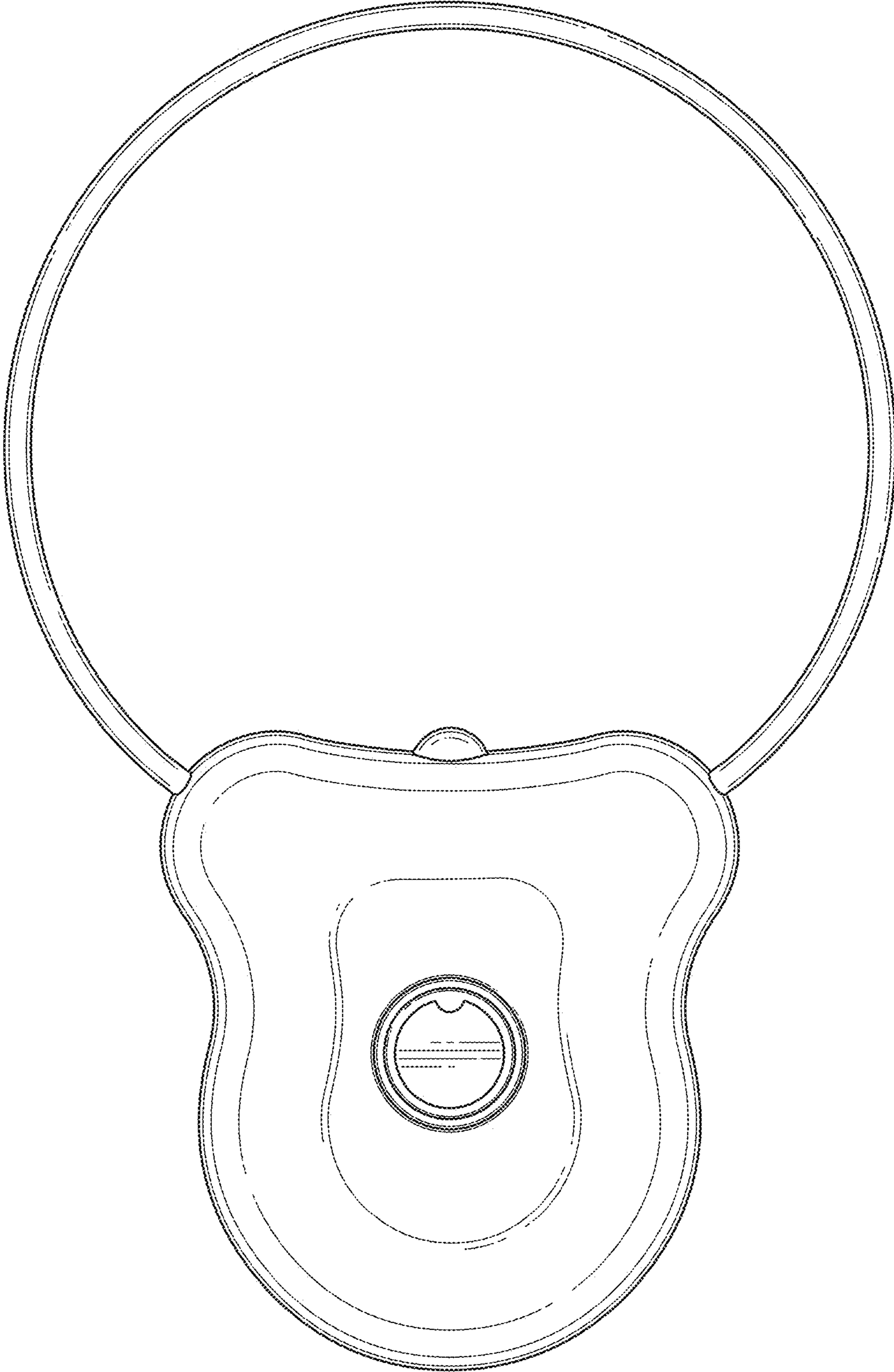


FIG. 10

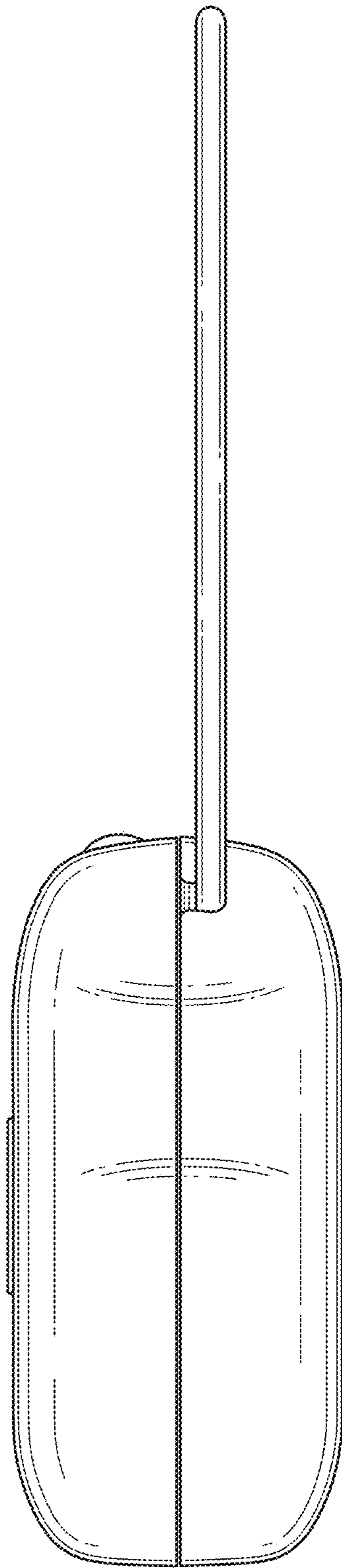


FIG. 11

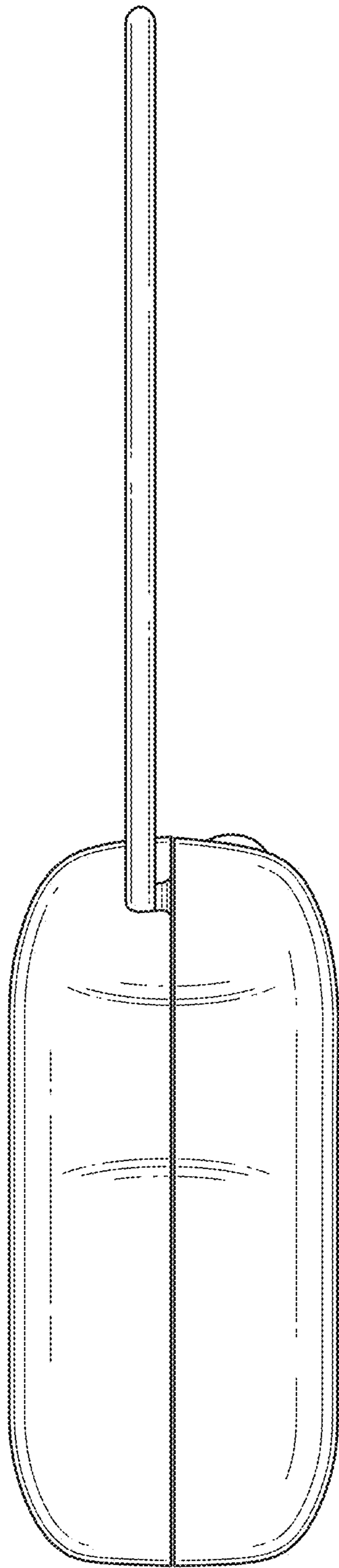


FIG. 12

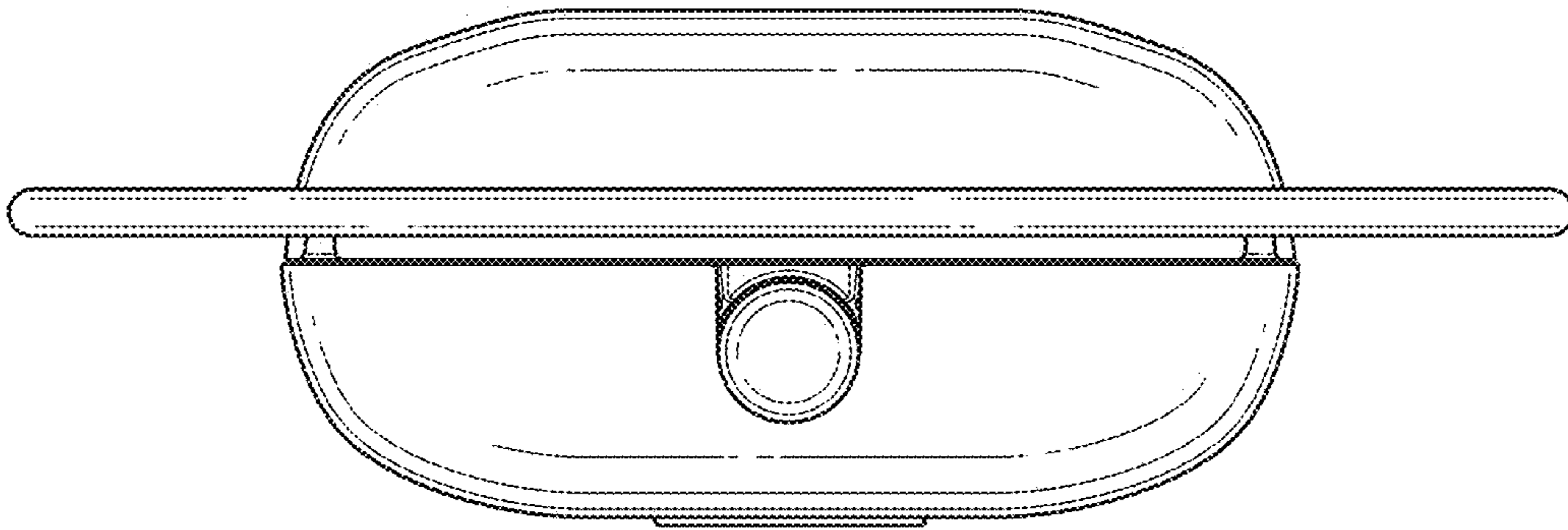


FIG. 13

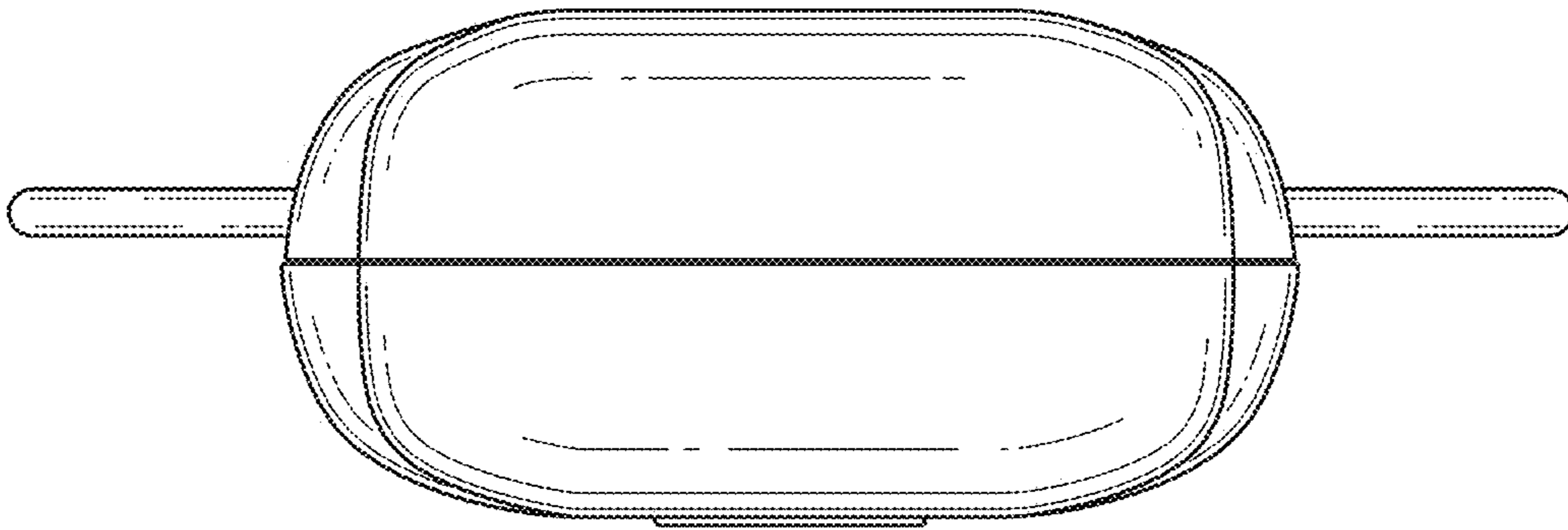


FIG. 14