



US00D911701S

(12) **United States Design Patent**
Bestel

(10) **Patent No.:** **US D911,701 S**

(45) **Date of Patent:** **** Mar. 2, 2021**

(54) **MOUTH GUARD CLEANING AND STORAGE DEVICE**

(71) Applicant: **Beast Enterprises, LLC**, La Jolla, CA (US)

(72) Inventor: **Khris Bestel**, Boise, ID (US)

(**) Term: **15 Years**

(21) Appl. No.: **29/617,116**

(22) Filed: **Sep. 12, 2017**

5,000,209	A *	3/1991	Mann	A47L 25/00
					134/135
D315,954	S *	4/1991	Berland	D24/176
5,201,411	A *	4/1993	Elkins	A61C 17/036
					206/804
D346,674	S *	5/1994	Berghash	D24/176
5,402,810	A *	4/1995	Donley	B08B 3/044
					134/135
5,634,569	A *	6/1997	DeCoster	A47G 19/30
					220/735
D408,632	S *	4/1999	Najmi	D3/273
6,036,038	A *	3/2000	Lovelace	B65D 81/22
					206/804

(Continued)

Primary Examiner — Steven J Czyz

(74) *Attorney, Agent, or Firm* — Buche & Associates, P.C.; John K. Buche; Bryce A. Johnson

Related U.S. Application Data

(63) Continuation of application No. 15/701,665, filed on Sep. 12, 2017, now abandoned.

(51) **LOC (13) Cl.** **03-01**

(52) **U.S. Cl.**
USPC **D3/203.1**

(58) **Field of Classification Search**
USPC D3/201, 203.1, 205, 264, 273, 274, 302, D3/903; D9/718, 738, 529, 549; D16/246, 249, 250; D24/152, 176, 180, D24/217, 221
CPC ... A61L 12/26; A61L 2202/17; A63B 71/085; B65D 81/22; Y10S 206/804
See application file for complete search history.

(56) **References Cited**

U.S. PATENT DOCUMENTS

1,951,099	A *	3/1934	Meyerson	A61L 2/06
					422/300
2,904,205	A *	9/1959	Callery	B65D 83/005
					215/391
3,380,592	A *	4/1968	Arnold	B65D 83/005
					210/244
D239,567	S *	4/1976	Okayama et al.	D16/249
D257,790	S *	1/1981	Kesling	D24/227
D305,261	S *	12/1989	Hobbs	D24/217

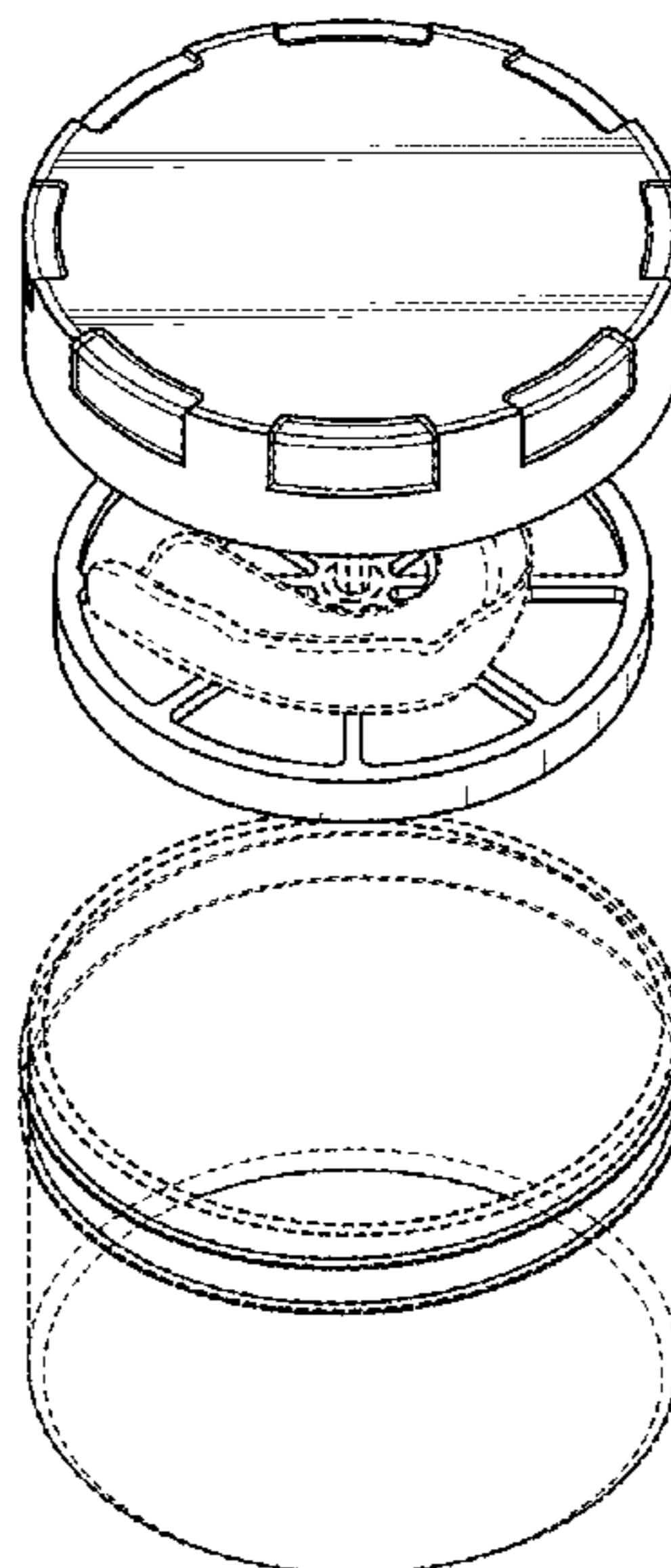
(57) **CLAIM**

The ornamental design for “mouth guard cleaning and storage device”, as shown and described.

DESCRIPTION

FIG. 1 is a bottom perspective view of a mouth guard cleaning and storage device in a closed configuration; FIG. 2 is a top view thereof; FIG. 3 is a bottom view thereof; FIG. 4 is a top perspective view thereof; FIG. 5 is a top perspective view of the mouth guard cleaning and storage device in an open configuration; FIG. 6 is an exploded view of the mouth guard cleaning and storage device; FIG. 7 is a top perspective view of the mouth guard cleaning and storage device in a open configuration and shown in use with environment; and, FIG. 8 is a top perspective view of the mouth guard cleaning and storage device in a closed configuration and shown in use with environment. The broken lines depict portions of the article and environment that form no part of the claimed design.

1 Claim, 5 Drawing Sheets



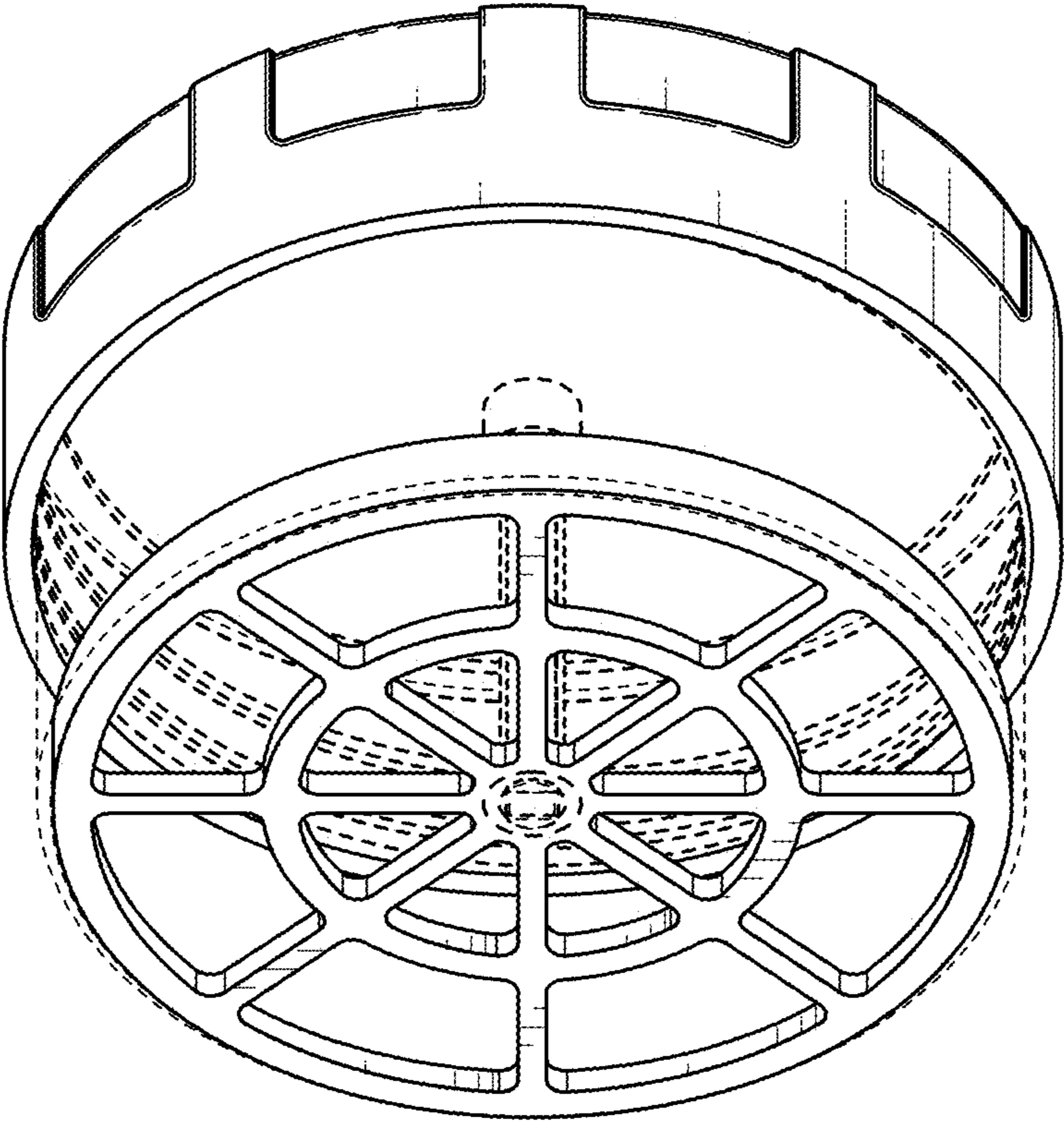


FIG. 1

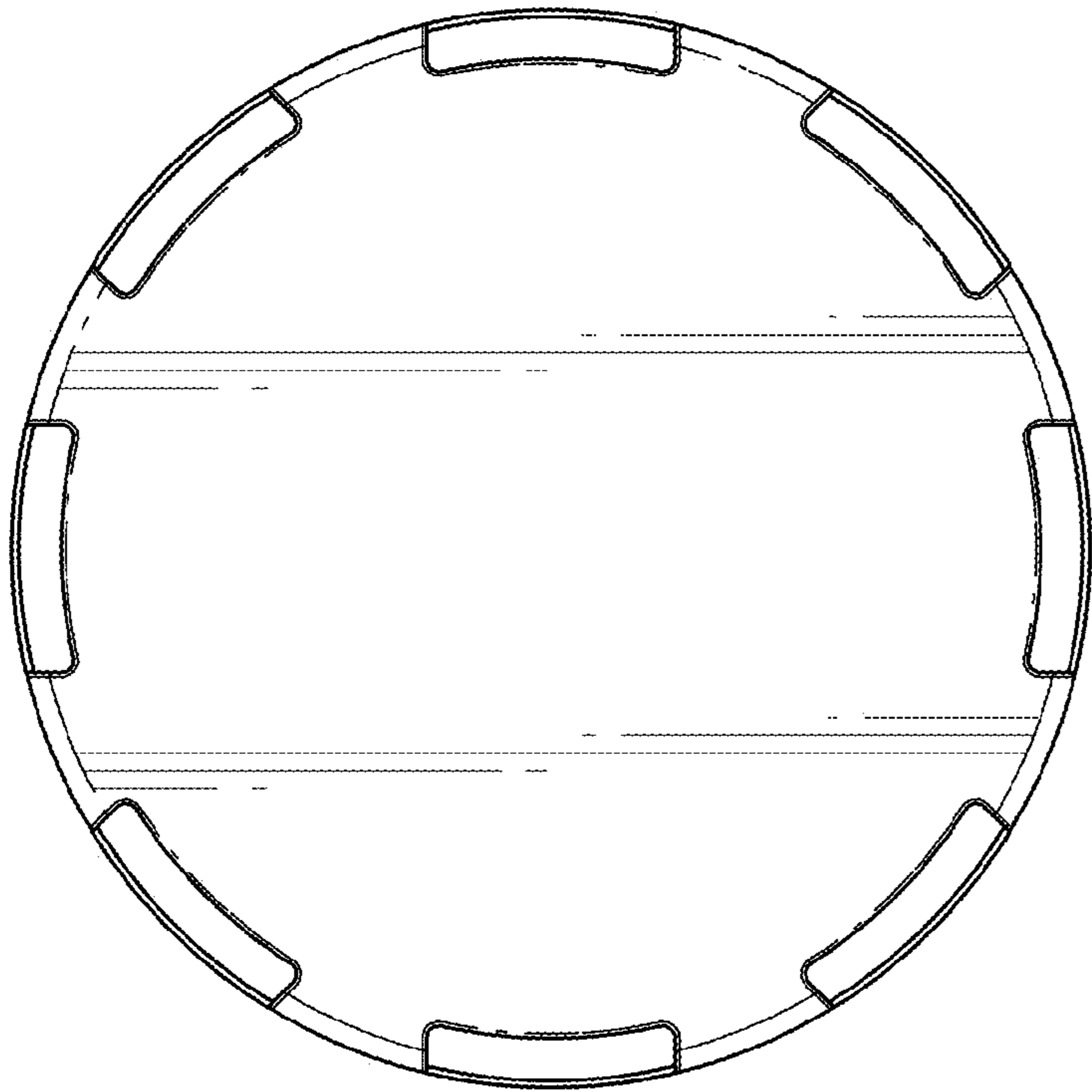


FIG. 2

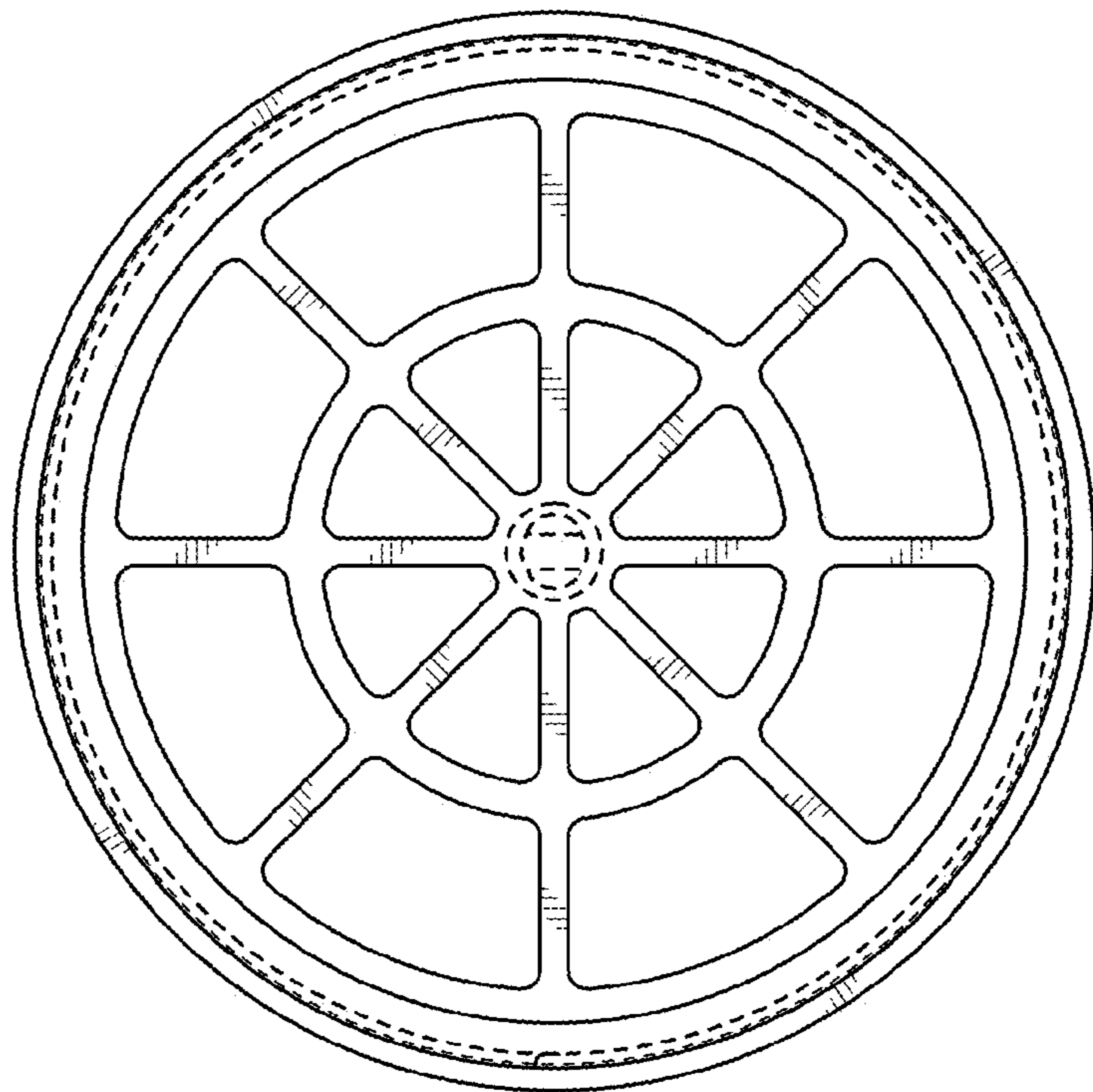


FIG. 3

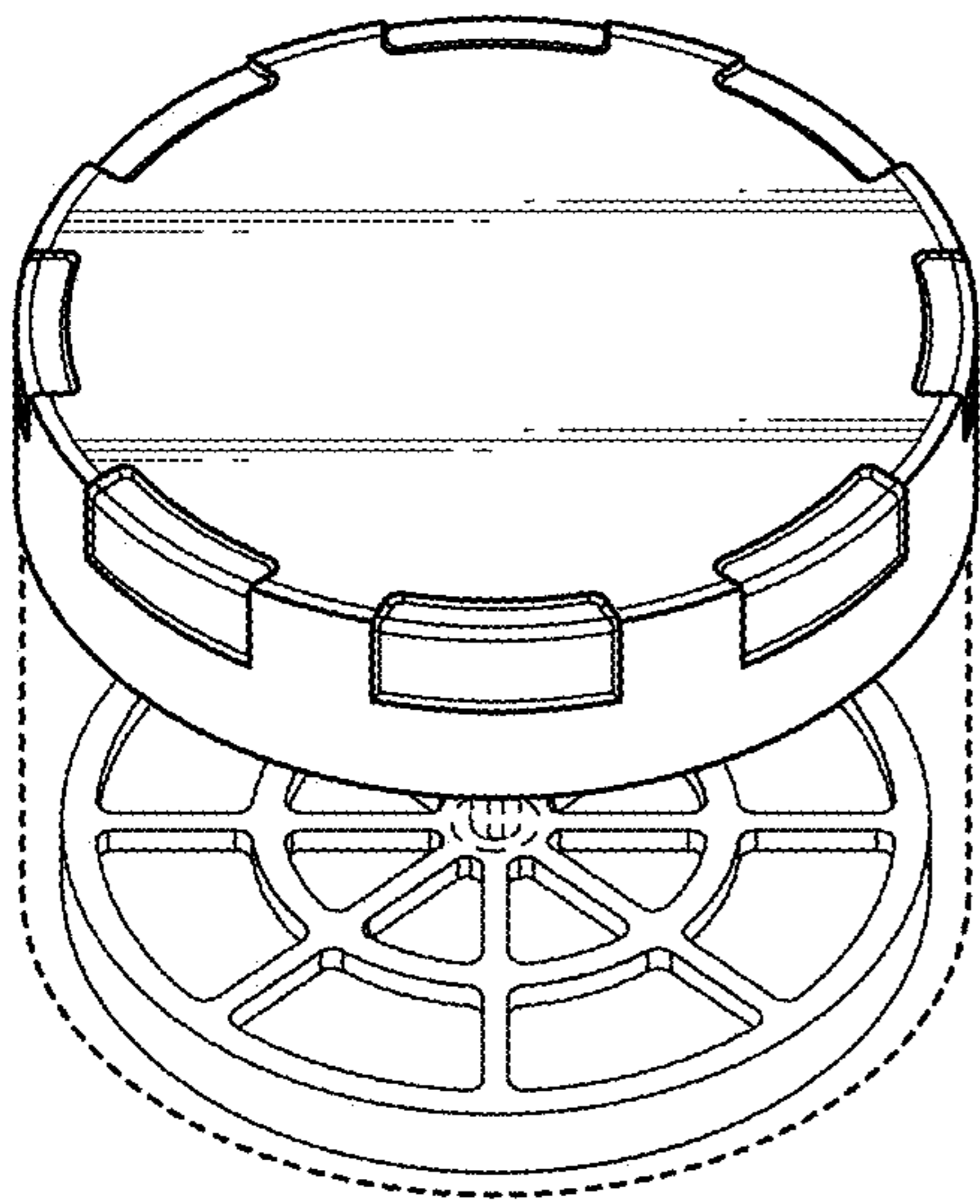


FIG. 4

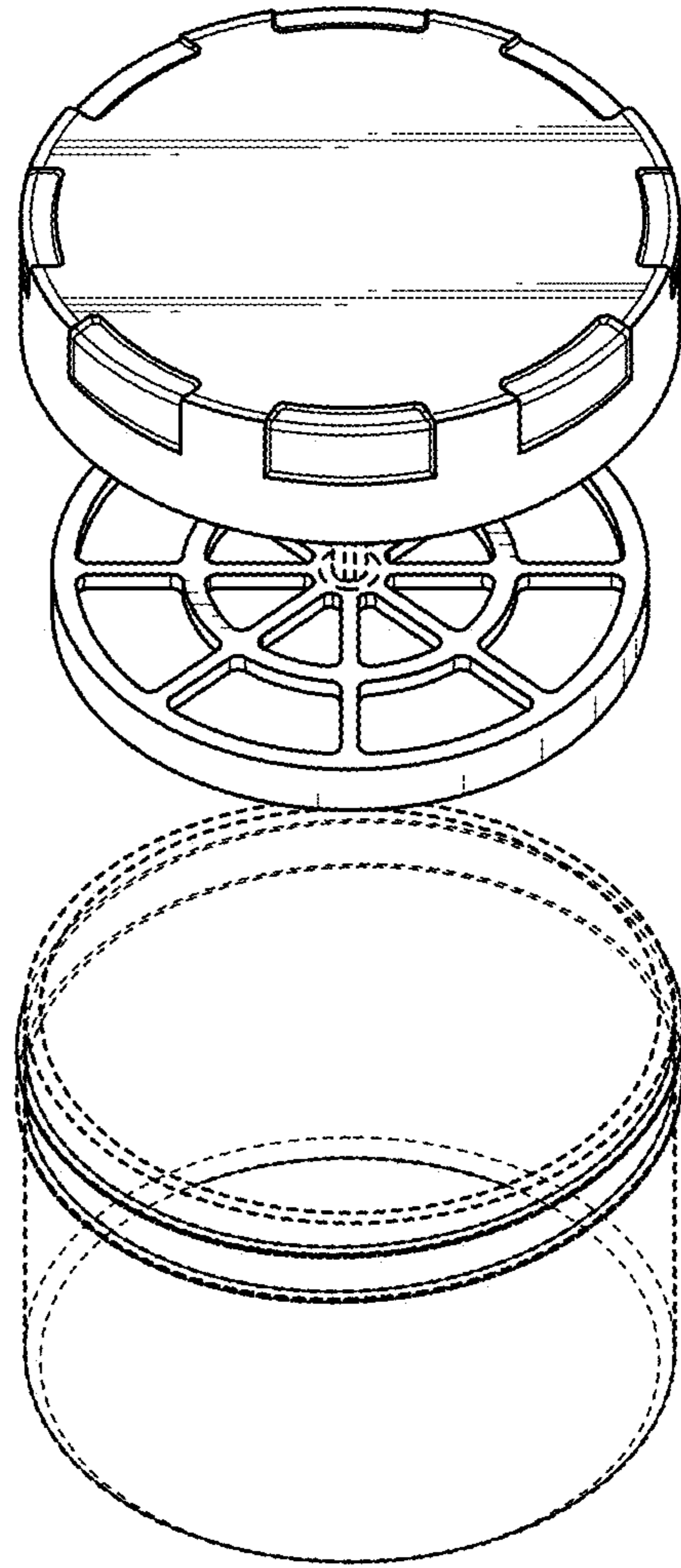


FIG. 5

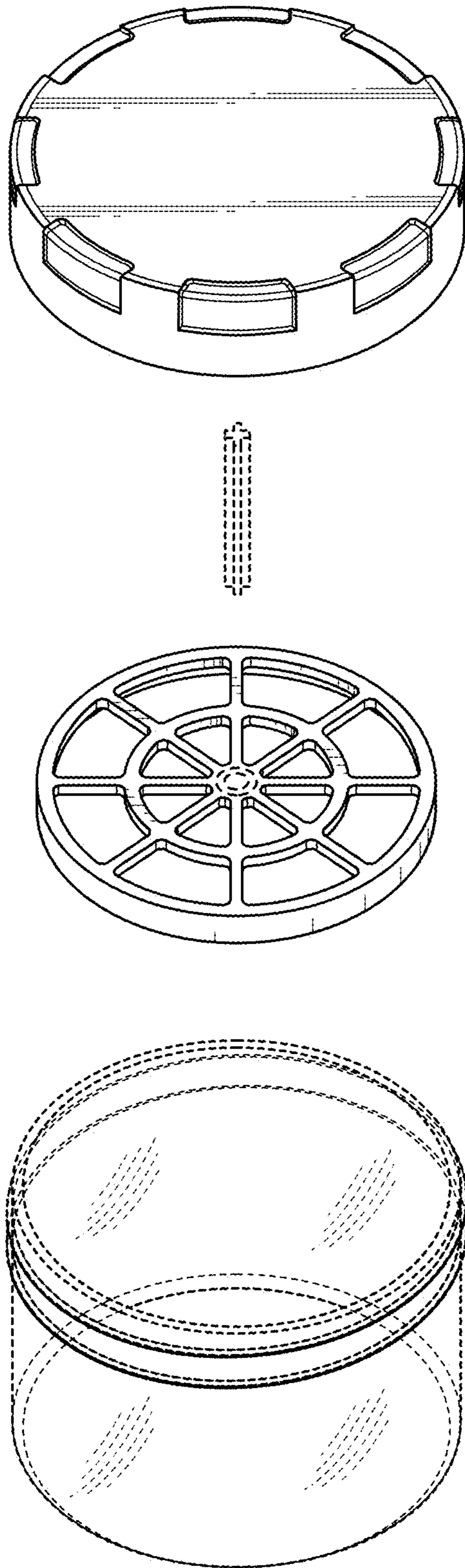


FIG. 6

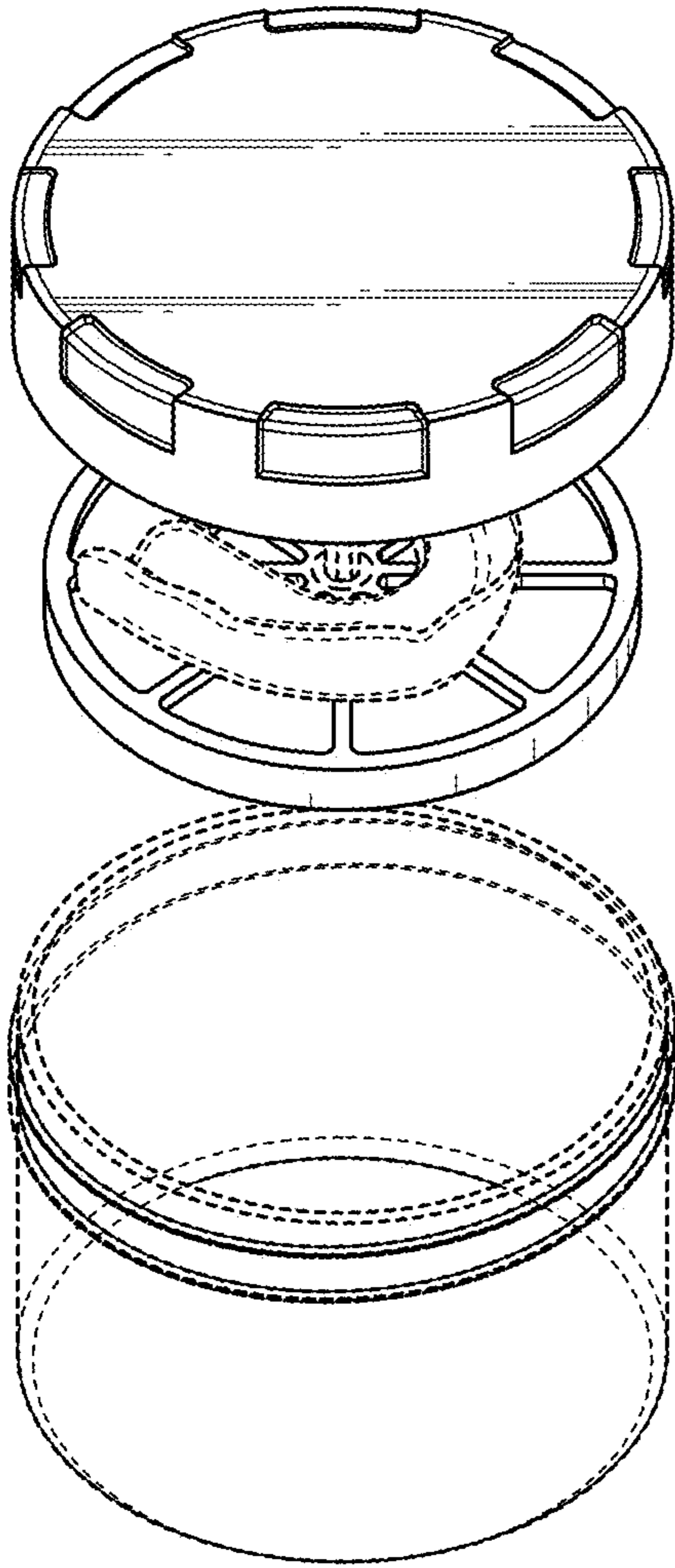


FIG. 7

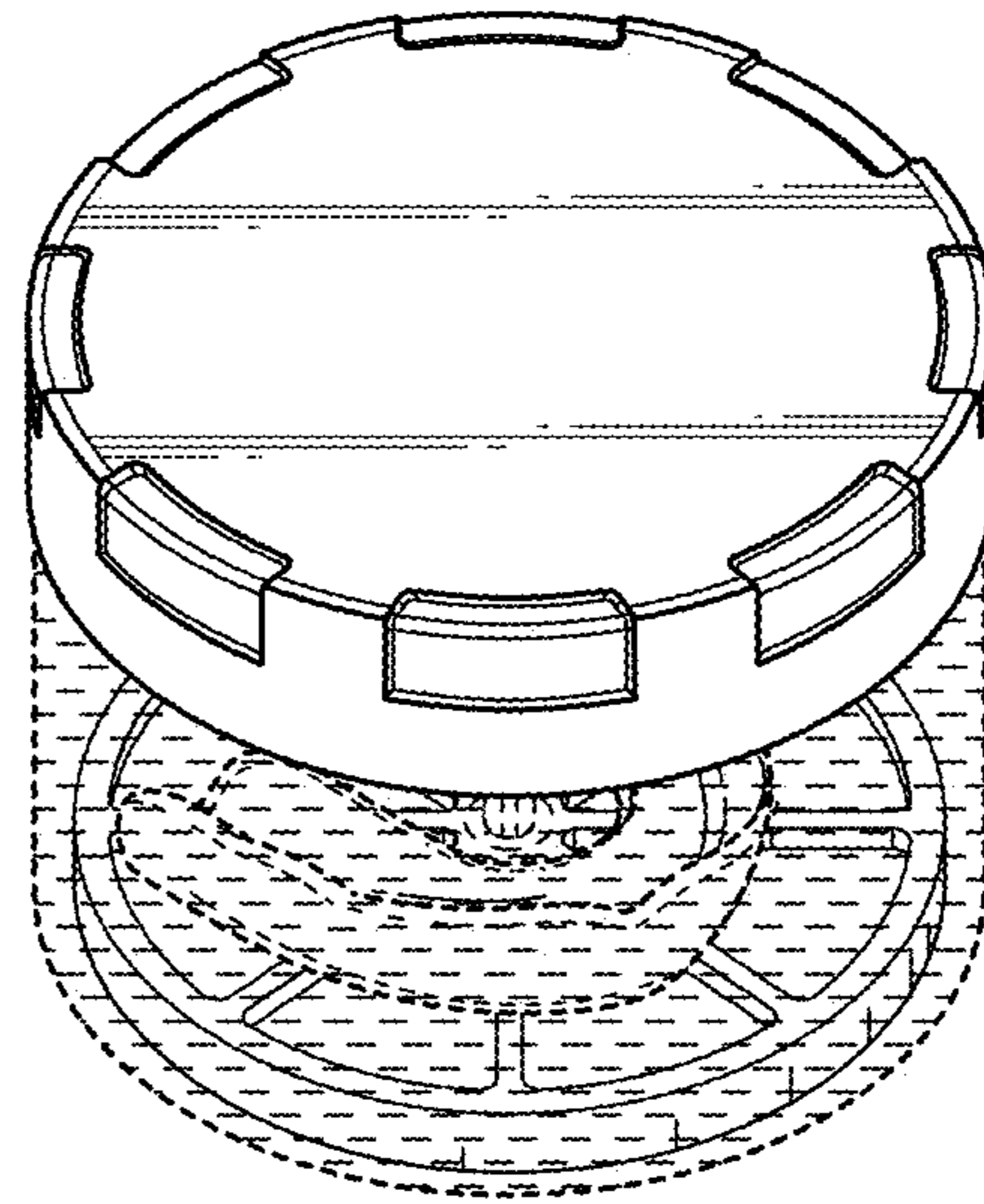


FIG. 8