



US00D911688S

(12) **United States Design Patent**
Gibson et al.

(10) **Patent No.:** **US D911,688 S**
(45) **Date of Patent:** **** Mar. 2, 2021**

- (54) **SHOE**
- (71) Applicant: **NIKE, Inc.**, Beaverton, OR (US)
- (72) Inventors: **Lee Gibson**, Beaverton, OR (US);
Colin Behr, Portland, OR (US)
- (73) Assignee: **NIKE, Inc.**, Beaverton, OR (US)
- (**) Term: **15 Years**
- (21) Appl. No.: **29/701,812**
- (22) Filed: **Aug. 14, 2019**
- (51) **LOC (13) Cl.** **02-04**
- (52) **U.S. Cl.**
USPC **D2/957**; D2/951; D2/953; D2/960
- (58) **Field of Classification Search**
USPC D2/902, 906, 908, 916, 918, 925,
D2/946-962, 972, 977; 36/3 B, 22 R,
36/24.5, 25 R, 28, 32 R, 34 R, 59 C,
36/67 A, 103
CPC A43B 13/00; A43B 13/02; A43B 13/023;
A43B 13/026; A43B 13/04; A43B 13/08;
A43B 13/10; A43B 13/12; A43B 13/14;
A43B 13/141; A43B 13/143; A43B
13/16; A43B 13/18; A43B 13/181; A43B
13/187; A43B 13/189; A43B 13/20; A43B
13/22; A43B 13/223; A43B 13/24; A43B
13/28; A43B 13/30; A43B 13/32; A43B
13/34; A43B 13/36
See application file for complete search history.

(56) **References Cited**

U.S. PATENT DOCUMENTS

- 861,846 A * 7/1907 Henricks A43B 7/082
36/3 B
- D266,797 S * 11/1982 Lucarelli D2/960
- D273,246 S * 4/1984 Tonkel D2/956
- D281,460 S * 11/1985 Parker D2/957
- D294,423 S * 3/1988 Zuidema D2/954

- D299,681 S * 2/1989 Miller D2/957
- 4,827,631 A * 5/1989 Thornton A43B 3/00
36/102
- D316,930 S * 5/1991 Bernasconi D2/957
- D321,973 S * 12/1991 Hatfield D2/954
- D329,740 S 9/1992 Kiyosawa et al.
- D329,741 S 9/1992 Kiyosawa
- D329,940 S 10/1992 Hatfield
- D339,454 S 9/1993 Hatfield
- D339,461 S * 9/1993 Kayano D2/957
- 5,408,761 A * 4/1995 Gazzano A43B 5/00
36/102
- D400,345 S * 11/1998 Teaque D2/957
- 5,918,385 A * 7/1999 Sessa A43B 13/223
36/25 R

(Continued)

OTHER PUBLICATIONS

Nike's Classic Air Huarache Calls Upon "Firewood Orange" [Online], retrieved [Jul. 23, 2019], retrieved from SneakerNews.com [Internet] <URL:https://sneakernews.com/2019/02/23/nike-air-huarache-firewood-orange-318429-802-release-info/>; 7 color sheets, Dated Feb. 23, 2019.

Primary Examiner — T Chase Nelson

(74) *Attorney, Agent, or Firm* — Banner & Witcoff, Ltd.

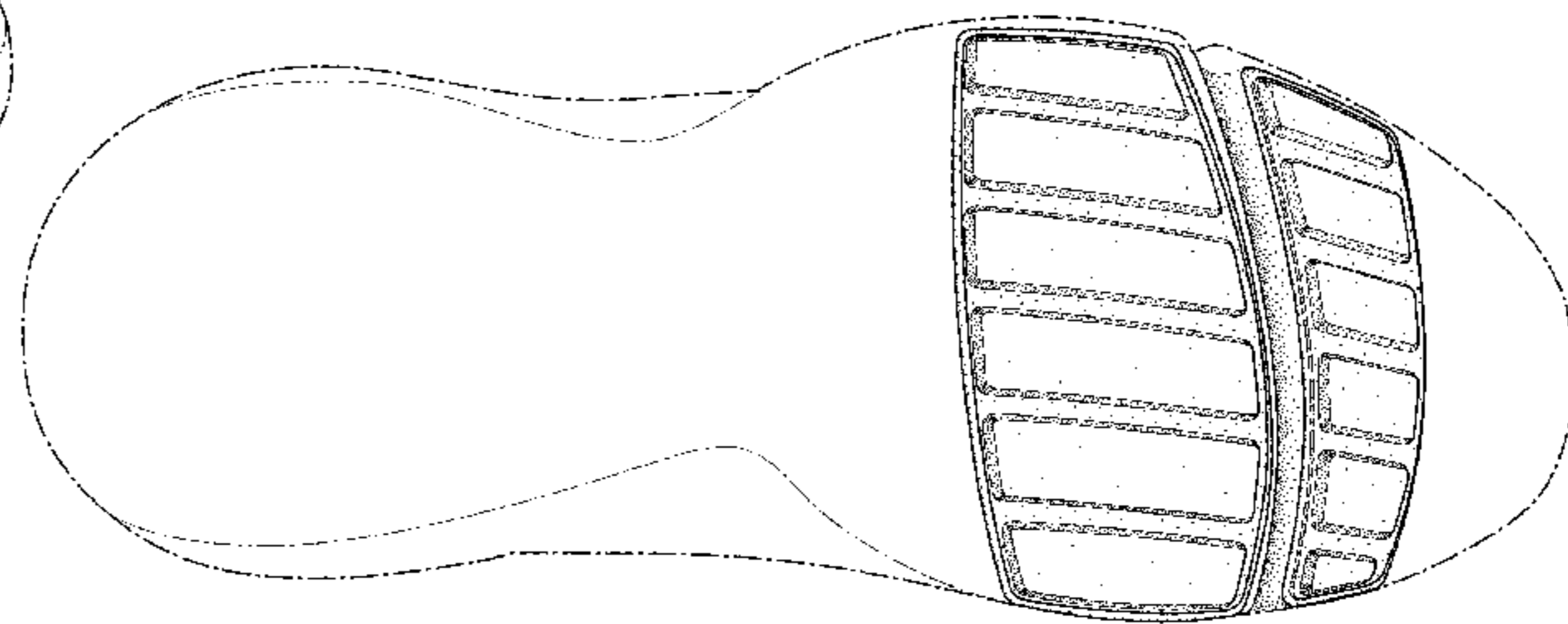
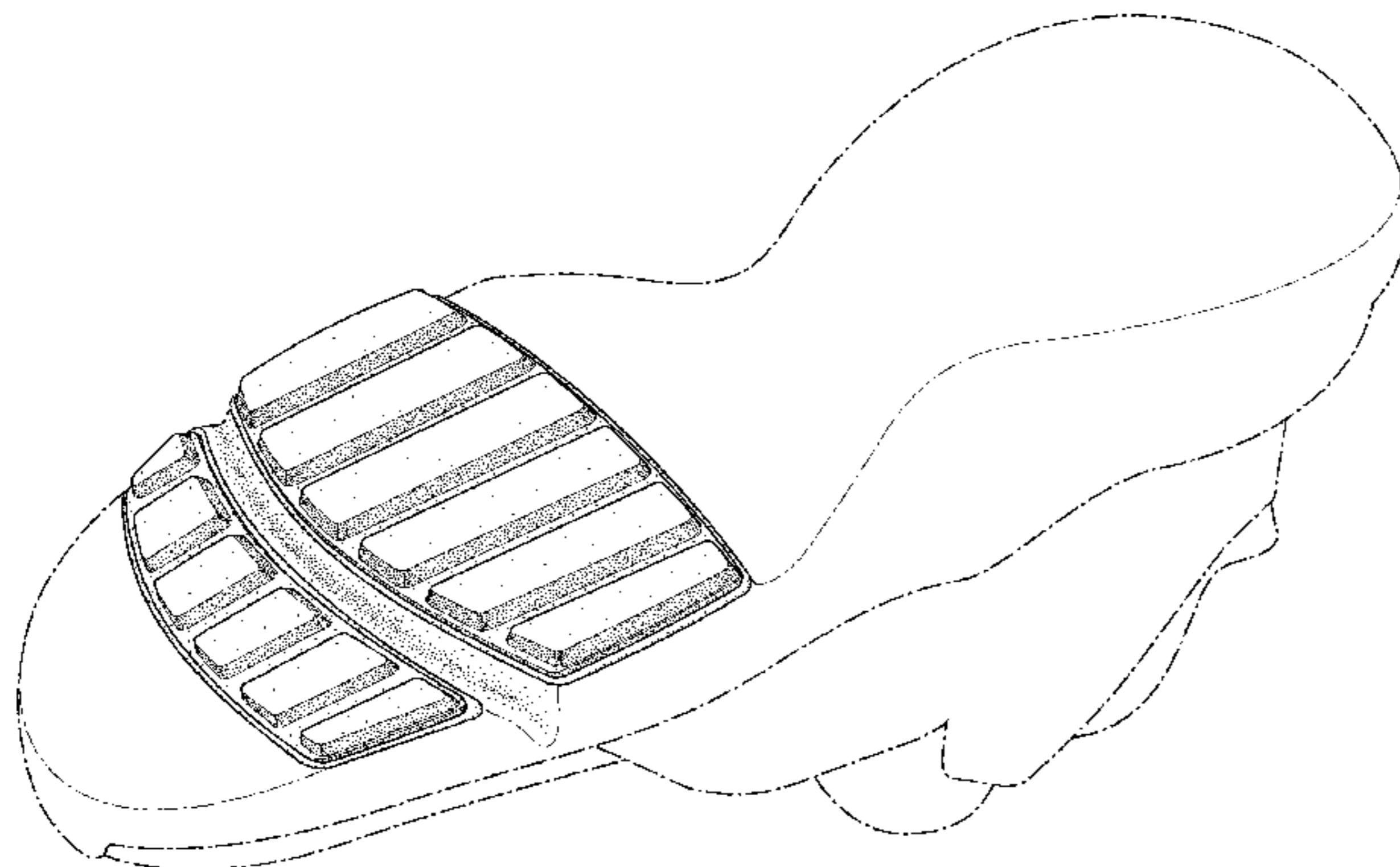
(57) **CLAIM**

The ornamental design for a shoe, as shown and described.

DESCRIPTION

FIG. 1 is a front bottom perspective view of a shoe showing our new design;
FIG. 2 is a bottom view thereof; and,
FIG. 3 is a rear bottom perspective view thereof.
The broken lines immediately adjacent to the shaded area define the bounds of the claimed design and form no part thereof. The broken lines depicting the remainder of the shoe show features that form no part of the claimed design.

1 Claim, 3 Drawing Sheets



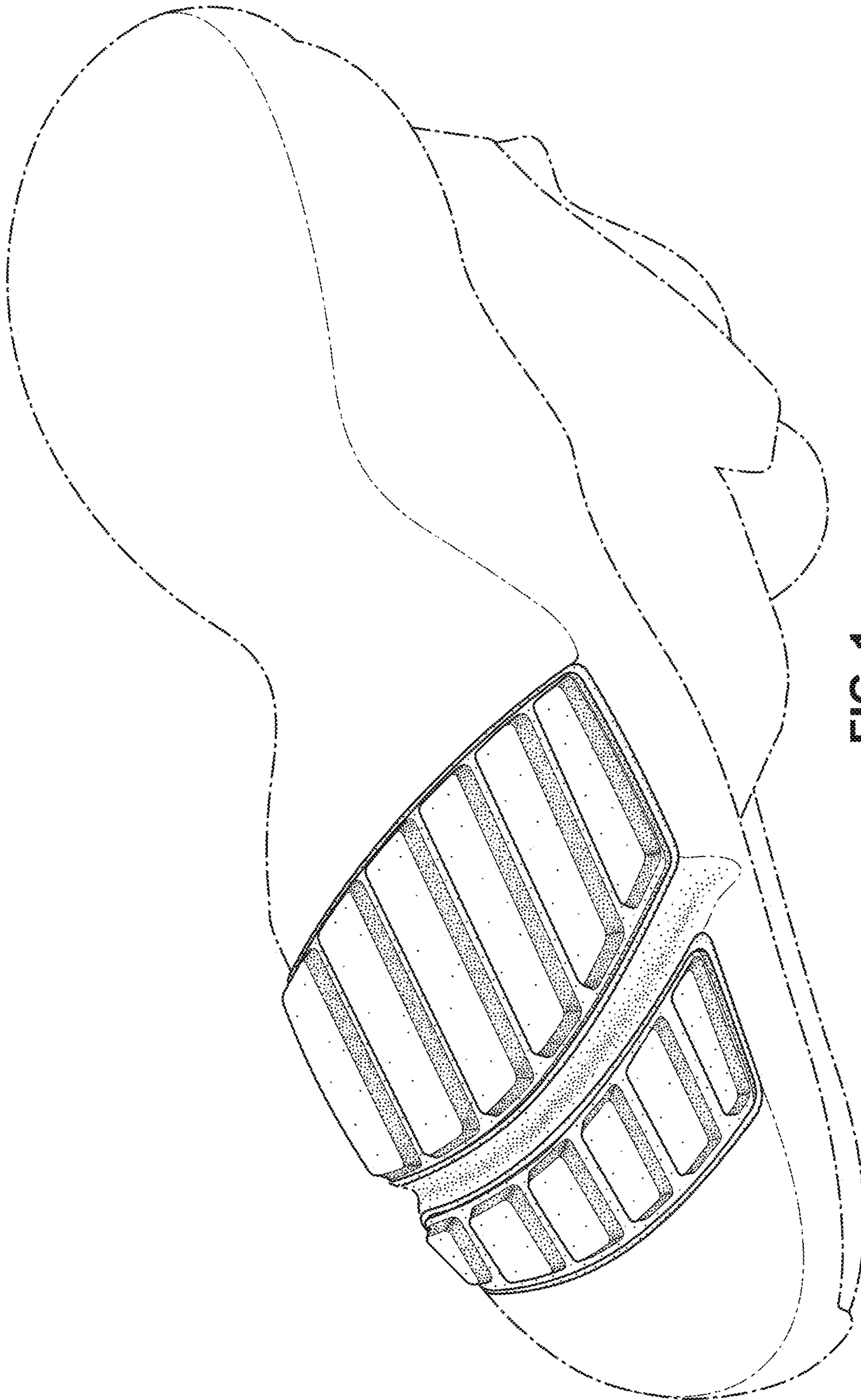


FIG. 1

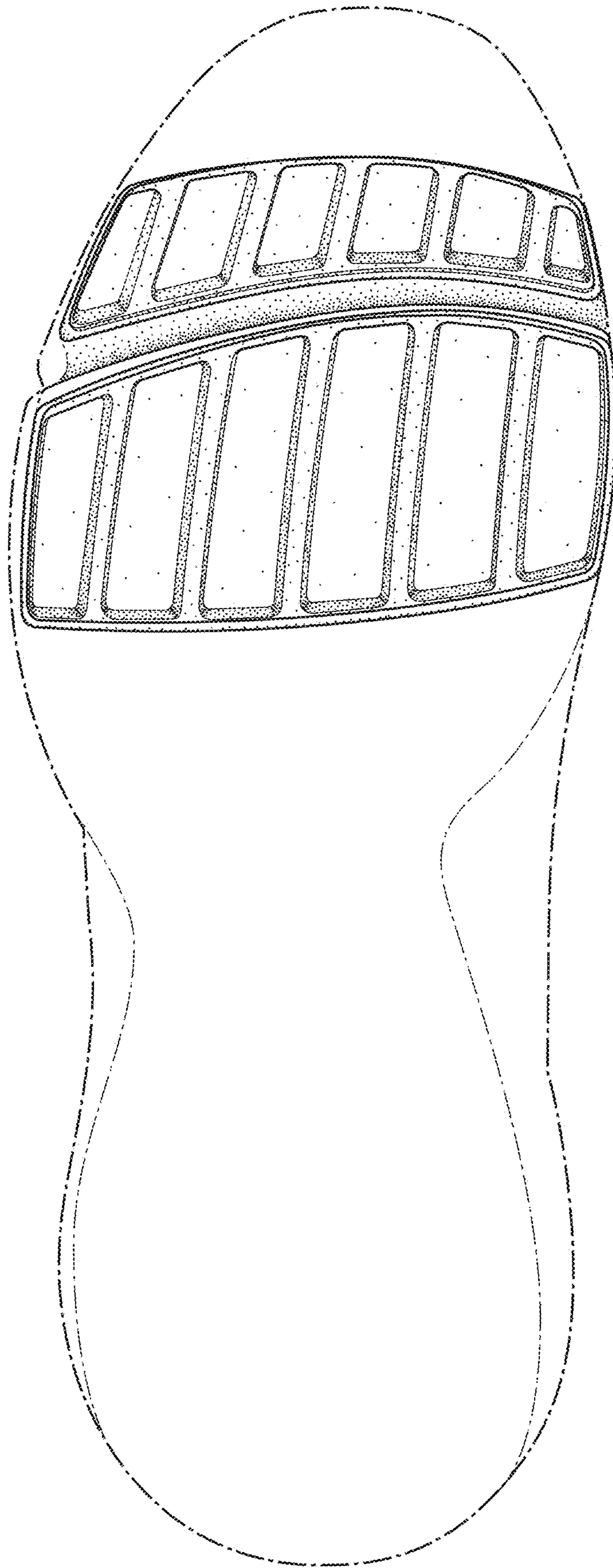


FIG. 2

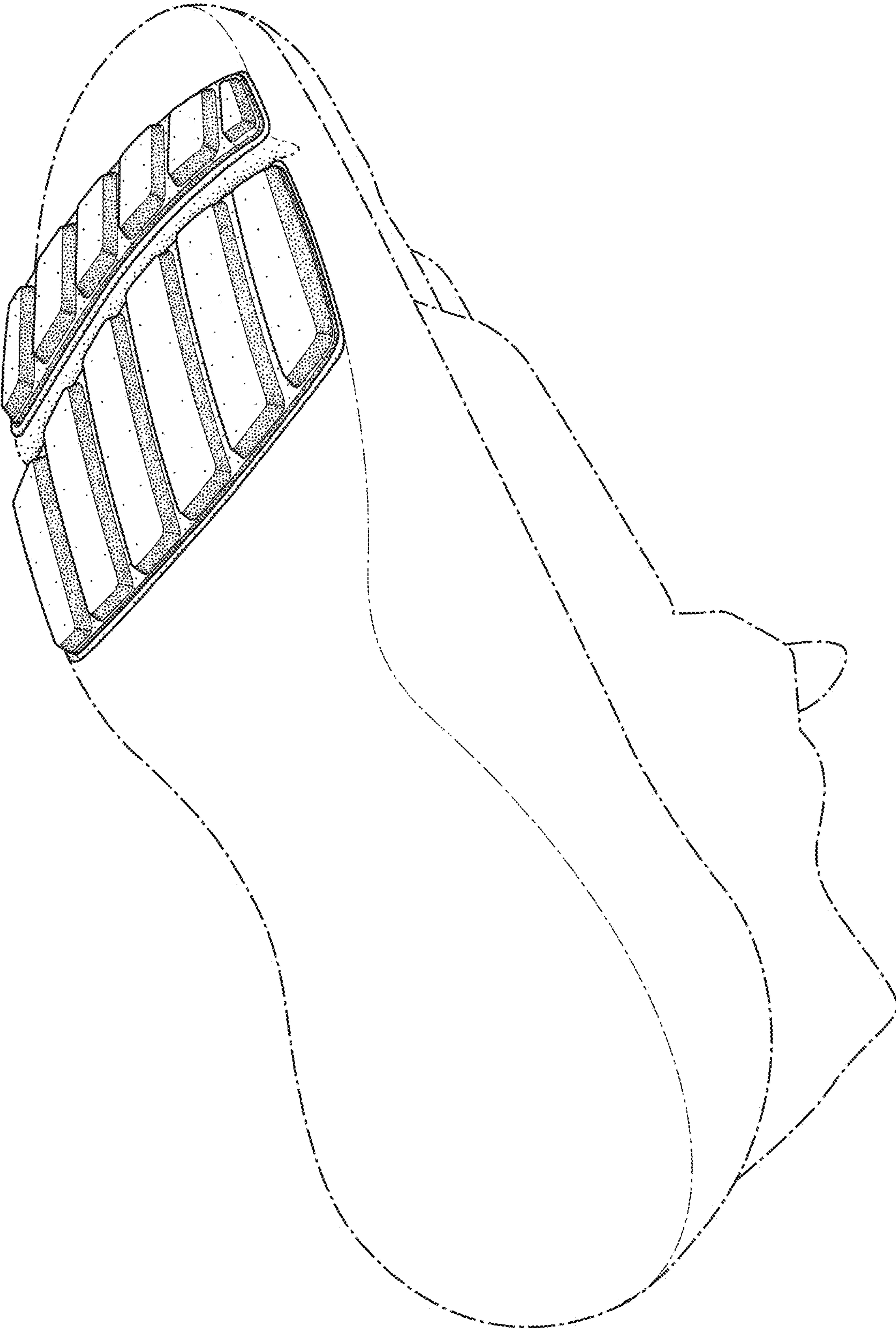


FIG. 3