



US00D911674S

(12) **United States Design Patent** (10) **Patent No.:** **US D911,674 S**
Wood et al. (45) **Date of Patent:** **** *Mar. 2, 2021**

- (54) **HOODED SHORT CROPPED COAT** 2,368,654 A * 2/1945 Frank A41D 3/00
2/84
- (71) Applicant: **Drake Waterfowl Systems**, Olive Branch, MS (US) D261,070 S * 10/1981 Pettibone D2/831
5,127,565 A * 7/1992 Grant A41D 13/0012
2/102
- (72) Inventors: **Tate Wood**, Olive Branch, MS (US); D633,692 S * 3/2011 Lawrence D2/831
Bobby L. Windham, Jr., Olive Branch, MS (US); D638,200 S * 5/2011 Gorson D2/831
Jeff L. Jones, Olive Branch, MS (US) D639,550 S * 6/2011 Buie, II D3/224
D758,697 S * 6/2016 Clark D2/828
D759,354 S * 6/2016 Nail D2/866
D781,027 S * 3/2017 Zheng D2/828
D812,858 S * 3/2018 Lamprey D2/831
D836,299 S * 12/2018 Lamprey D2/839
- (73) Assignee: **DRAKE WATERFOWL SYSTEMS**, Olive Branch, MS (US) 2004/0237169 A1 * 12/2004 Wood A41D 13/0012
2/94

(*) Notice: This patent is subject to a terminal disclaimer.

(**) Term: **15 Years**

(21) Appl. No.: **29/621,821**

(22) Filed: **Oct. 11, 2017**

(51) **LOC (13) Cl.** **02-02**

(52) **U.S. Cl.**
USPC **D2/828**

(58) **Field of Classification Search**
USPC D2/828-829, 825, 831, 780, 878; 2/94,
2/79, 247; D3/224
CPC A41D 13/0012; A41D 13/00; A41D 3/00;
A41D 2200/20; A41D 1/04
See application file for complete search history.

(56) **References Cited**

U.S. PATENT DOCUMENTS

- 144,594 A * 11/1873 Black A41D 1/04
2/102
- 323,988 A * 8/1885 Walloch B29C 48/36
2/79
- 507,836 A * 10/1893 Orndorff D03D 11/02
139/390
- 1,212,513 A * 1/1917 Langerman A41D 13/0012
2/94

(Continued)

Primary Examiner — Manpreet S Matharu

Assistant Examiner — J. Thorn, Sr.

(74) *Attorney, Agent, or Firm* — Hulsey, P.C.

(57) **CLAIM**

The ornamental design for a hooded short cropped coat, as shown and described.

DESCRIPTION

FIG. 1 is an isometric view of a hooded insulated hunting coat with a weather mask, a suite of pockets, an inner insulated pocket, a kill switch D-ring, a plurality of shell loops positioned on the coat torso, and a drop-down seat attachment which can be stowed away in the inner torso of said jacket, showing my new design.

FIG. 2 is a front perspective view of hooded insulated hunting coat.

FIG. 3 is a back perspective view thereof.

FIG. 4 is a top perspective view thereof.

FIG. 5 is a bottom perspective view thereof.

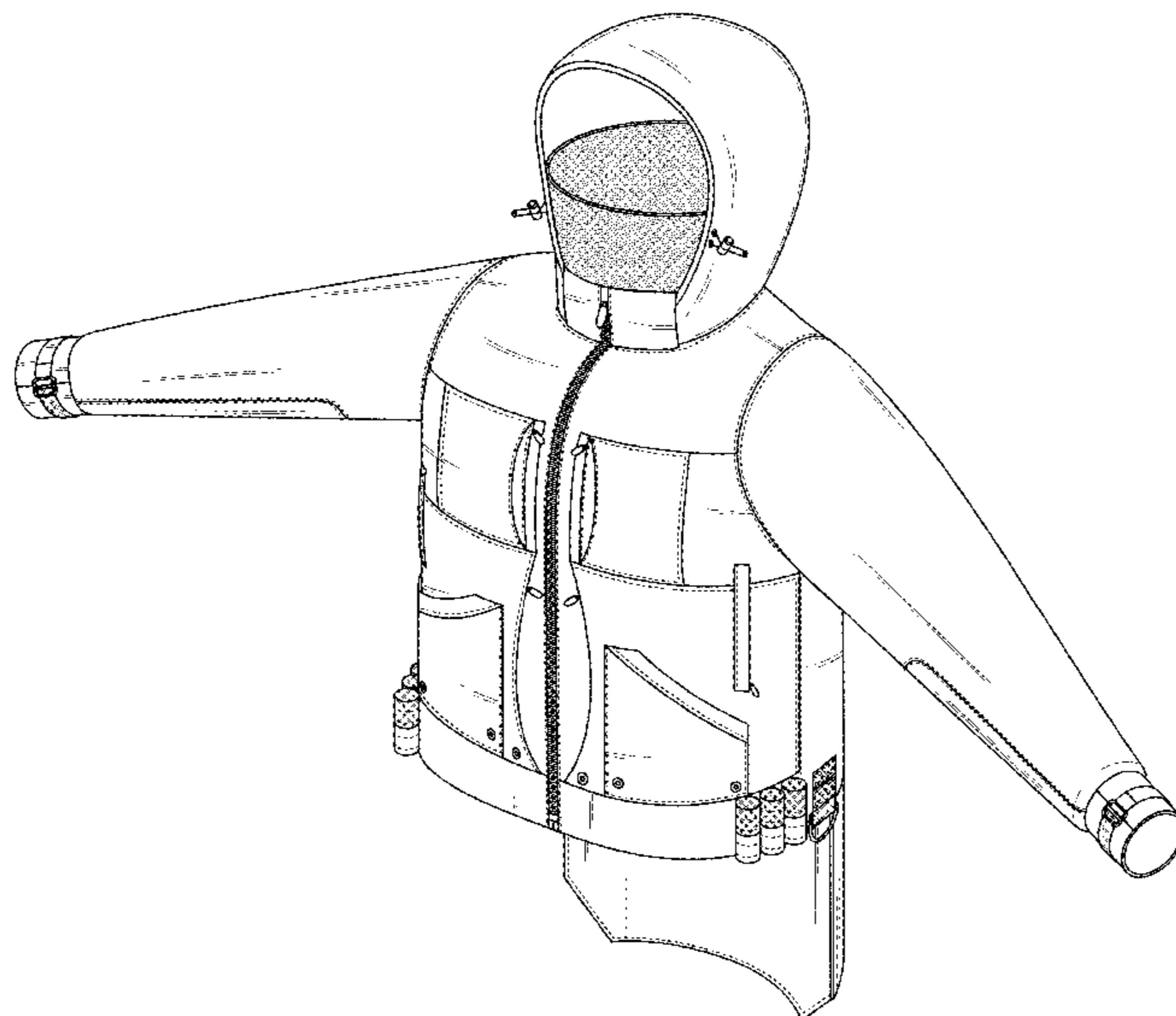
FIG. 6 is a left elevation view thereof.

FIG. 7 is a right elevation view thereof; and,

FIG. 8 is a front view thereof, shown in an open position.

The broken lines shown in the drawings represent stitching in the fabric.

1 Claim, 6 Drawing Sheets



(56)

References Cited

U.S. PATENT DOCUMENTS

2010/0031415 A1* 2/2010 Shadid A41D 13/0012
2/87
2018/0177248 A1* 6/2018 Sneath A41D 3/00

* cited by examiner

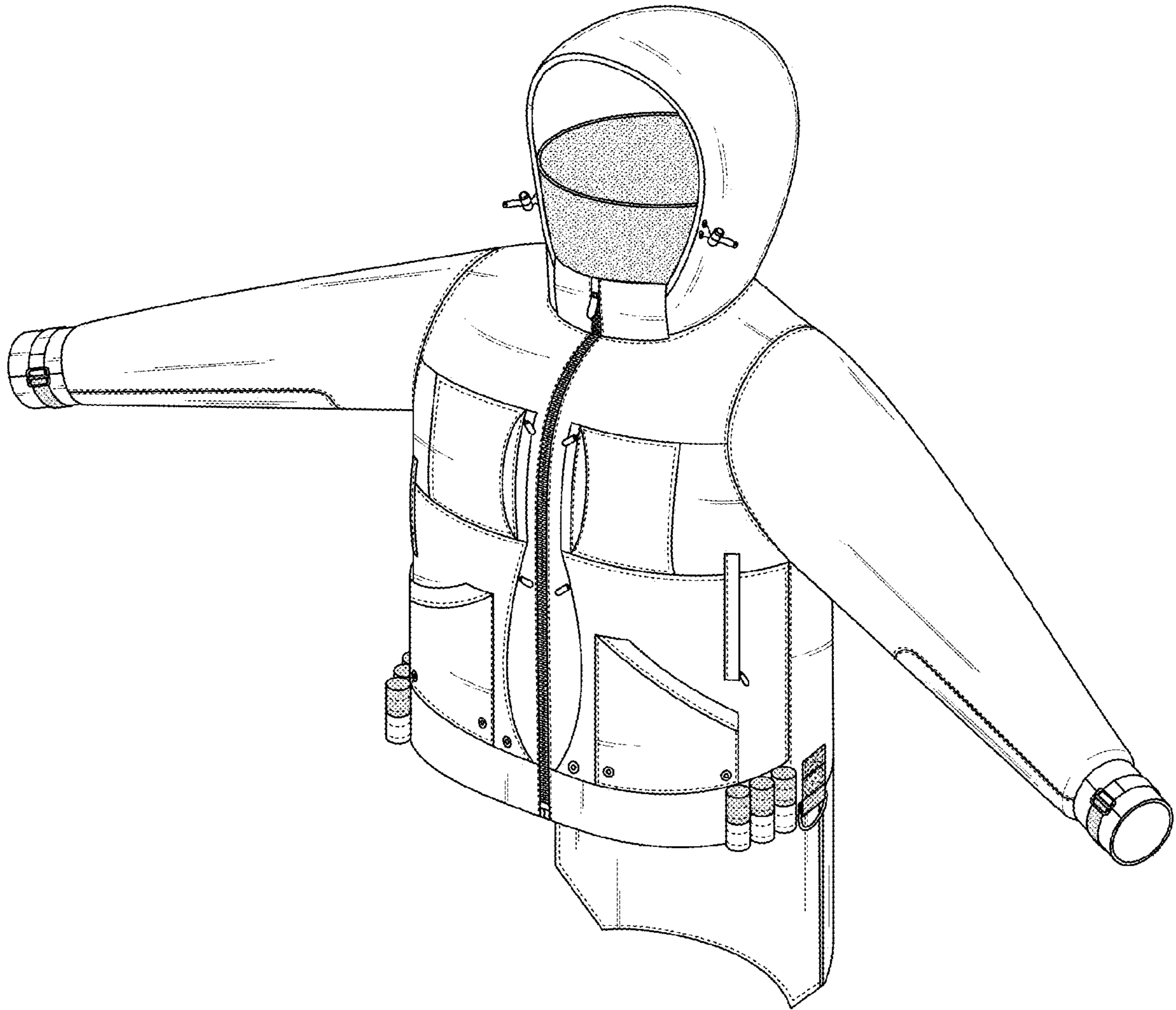


FIG. 1

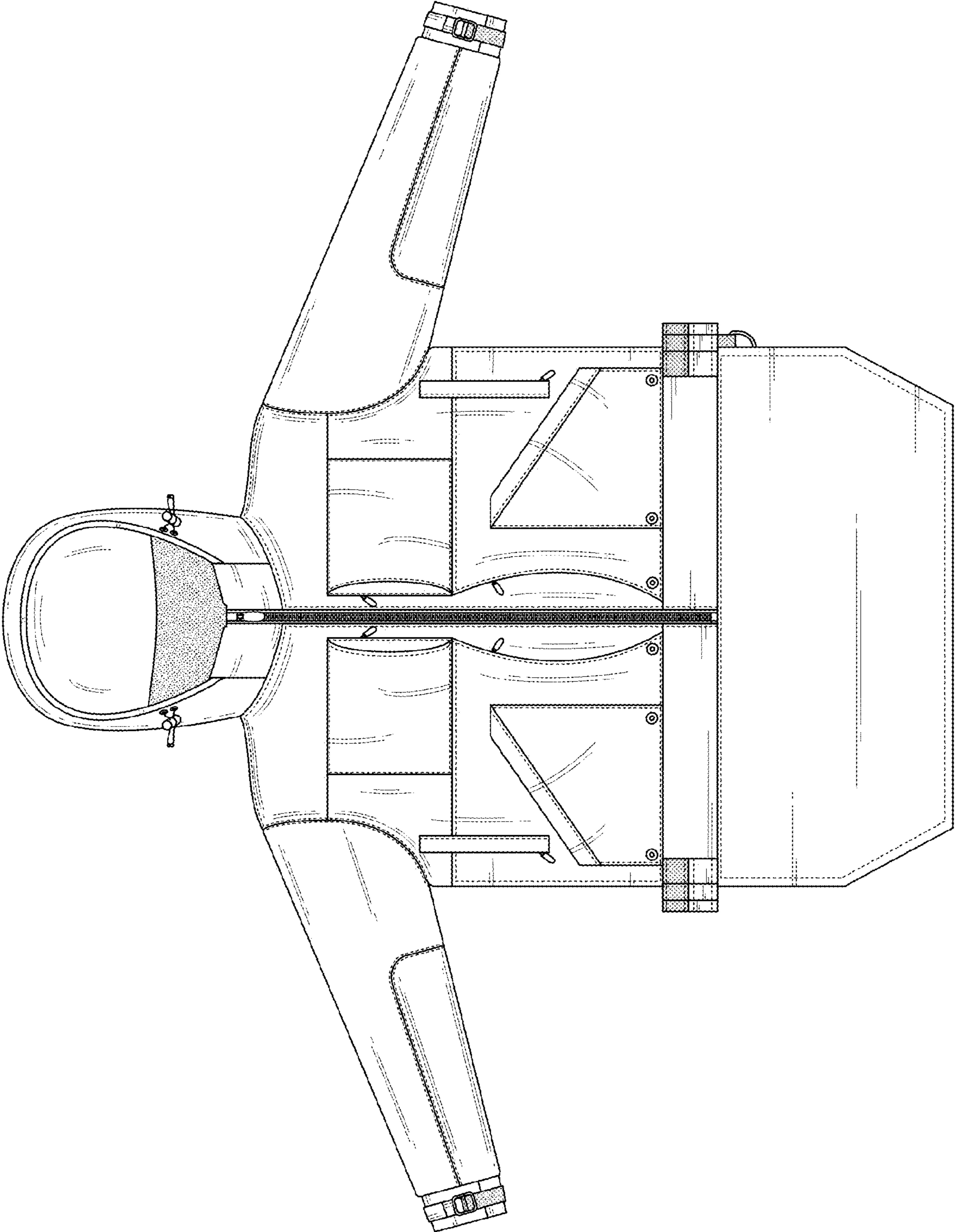


FIG. 2

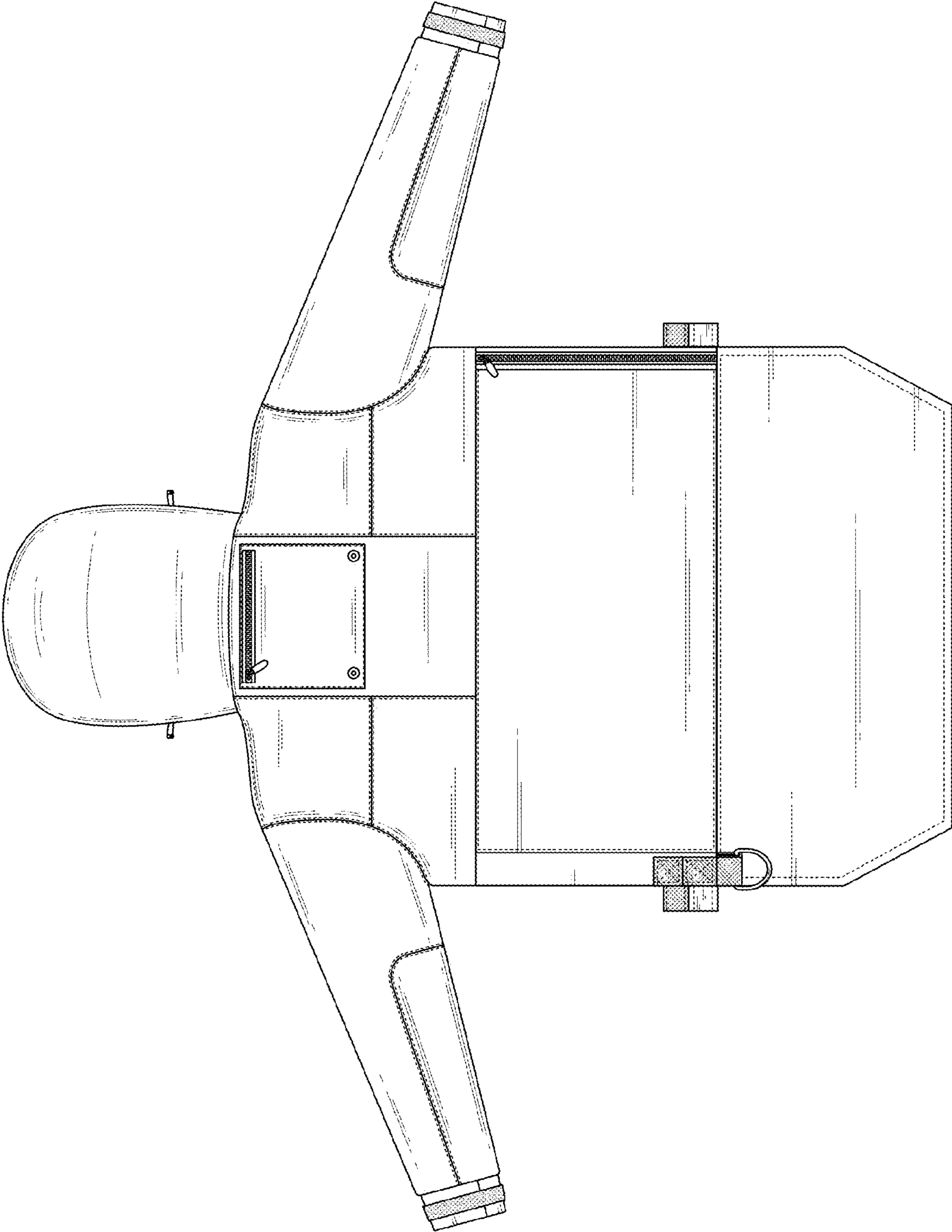


FIG. 3

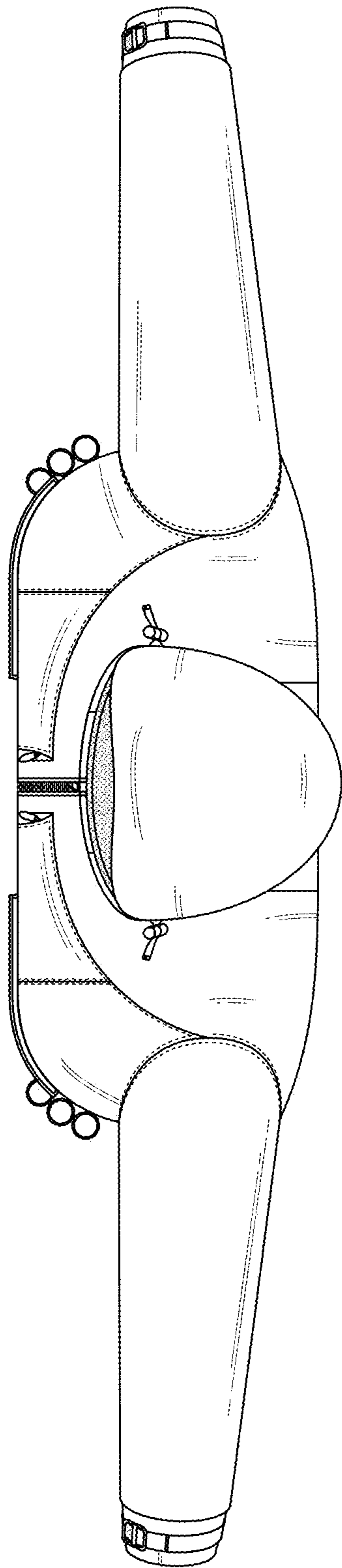


FIG. 4

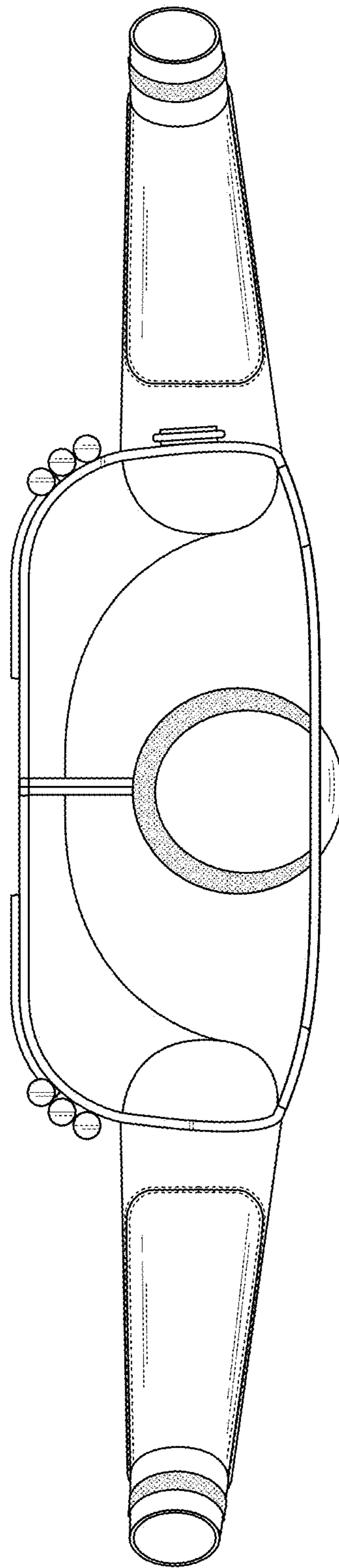


FIG. 5

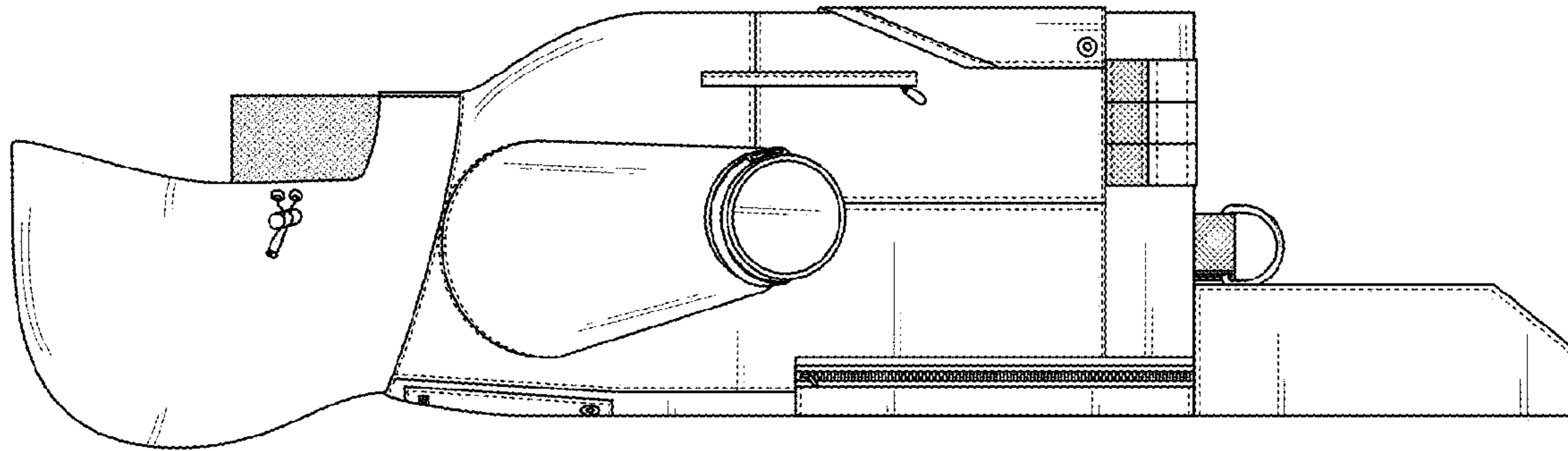


FIG. 7

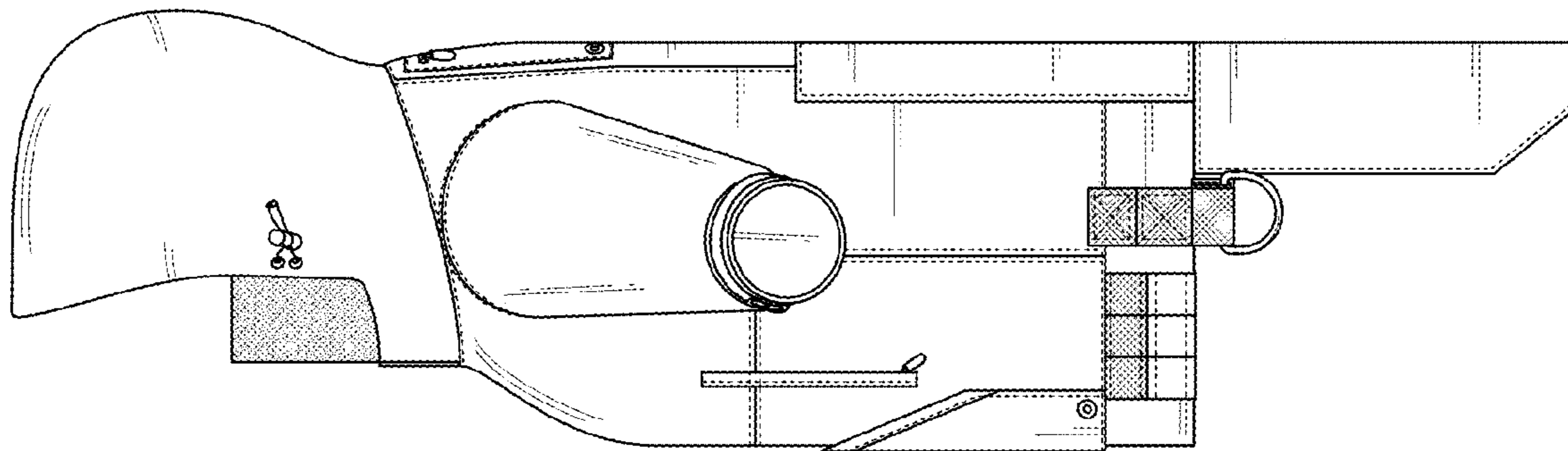


FIG. 6

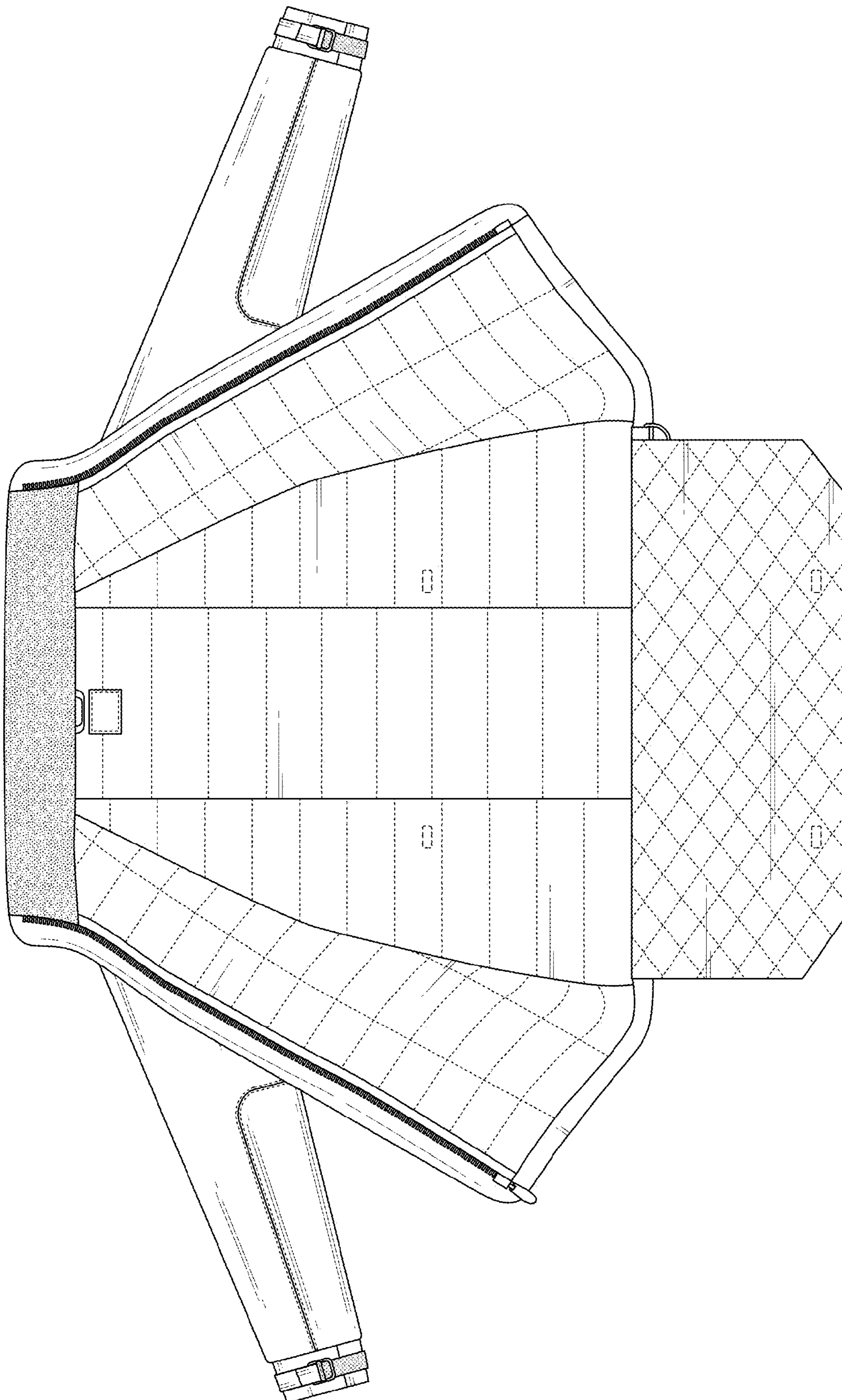


FIG. 8