



US00D911664S

(12) **United States Design Patent** (10) **Patent No.:** **US D911,664 S**  
**Wheaton** (45) **Date of Patent:** **\*\* Feb. 23, 2021**

(54) **CONTAINER-LOCATING PALLET**  
(71) Applicant: **CypherCo Limited**, Herefordshire (GB)  
(72) Inventor: **Christopher Simon Courtenay Wheaton**, Herefordshire (GB)  
(73) Assignee: **CypherCo Limited**, Herefordshire (GB)  
(\*\*) Term: **15 Years**

D441,516 S 5/2001 Wheaton  
D469,941 S 2/2003 Wheaton, Jr.  
D535,881 S 1/2007 Liukko  
D632,960 S 2/2011 Gilfert  
D700,053 S 2/2014 Chudleigh  
D766,539 S 9/2016 Lee  
D816,288 S 4/2018 Hunt, III  
D822,309 S 7/2018 Hunt, III  
D833,829 S 11/2018 Hertaus  
10,464,709 B2 11/2019 Weyrauch  
D884,304 S \* 5/2020 Wheaton ..... D34/38  
2013/0291766 A1\* 11/2013 Subacchi ..... B28B 7/166  
108/50.11  
2019/0337673 A1\* 11/2019 O'Connell ..... B65D 19/0018

(21) Appl. No.: **29/711,915**  
(22) Filed: **Nov. 4, 2019**

**Related U.S. Application Data**

(62) Division of application No. 29/640,587, filed on Mar. 15, 2018, now Pat. No. Des. 884,304.

**Foreign Application Priority Data**

Nov. 30, 2017 (BR) ..... 302017005407-2

(51) **LOC (13) Cl.** ..... **09-08**  
(52) **U.S. Cl.**  
USPC ..... **D34/38**  
(58) **Field of Classification Search**  
USPC ..... D34/38; D3/272; D9/456  
CPC ..... B65D 19/0004; B65D 19/40; B65D 19/0018; B65D 19/0038; B65D 19/0012; B65D 19/0095; B65D 19/38; B65D 19/06; B65D 19/02; B65D 19/12  
See application file for complete search history.

**References Cited**

**U.S. PATENT DOCUMENTS**

4,263,855 A 4/1981 Lawlor  
4,413,737 A 11/1983 Wind  
4,516,677 A 5/1985 Rowland  
D284,841 S 7/1986 Rowland  
D320,880 S 10/1991 Brunin

**OTHER PUBLICATIONS**

<https://www.globalindustrial.com/p/storage/pallets/skid-mate-pallet-cushions/pallet-spacers-black-96-case-2-020-00509>, global industrial skid mate pallet spacers, Oct. 2020 (Year: 2020).\*

\* cited by examiner

*Primary Examiner* — Cynthia Ramirez  
(74) *Attorney, Agent, or Firm* — Levenfeld Pearlstein, LLC

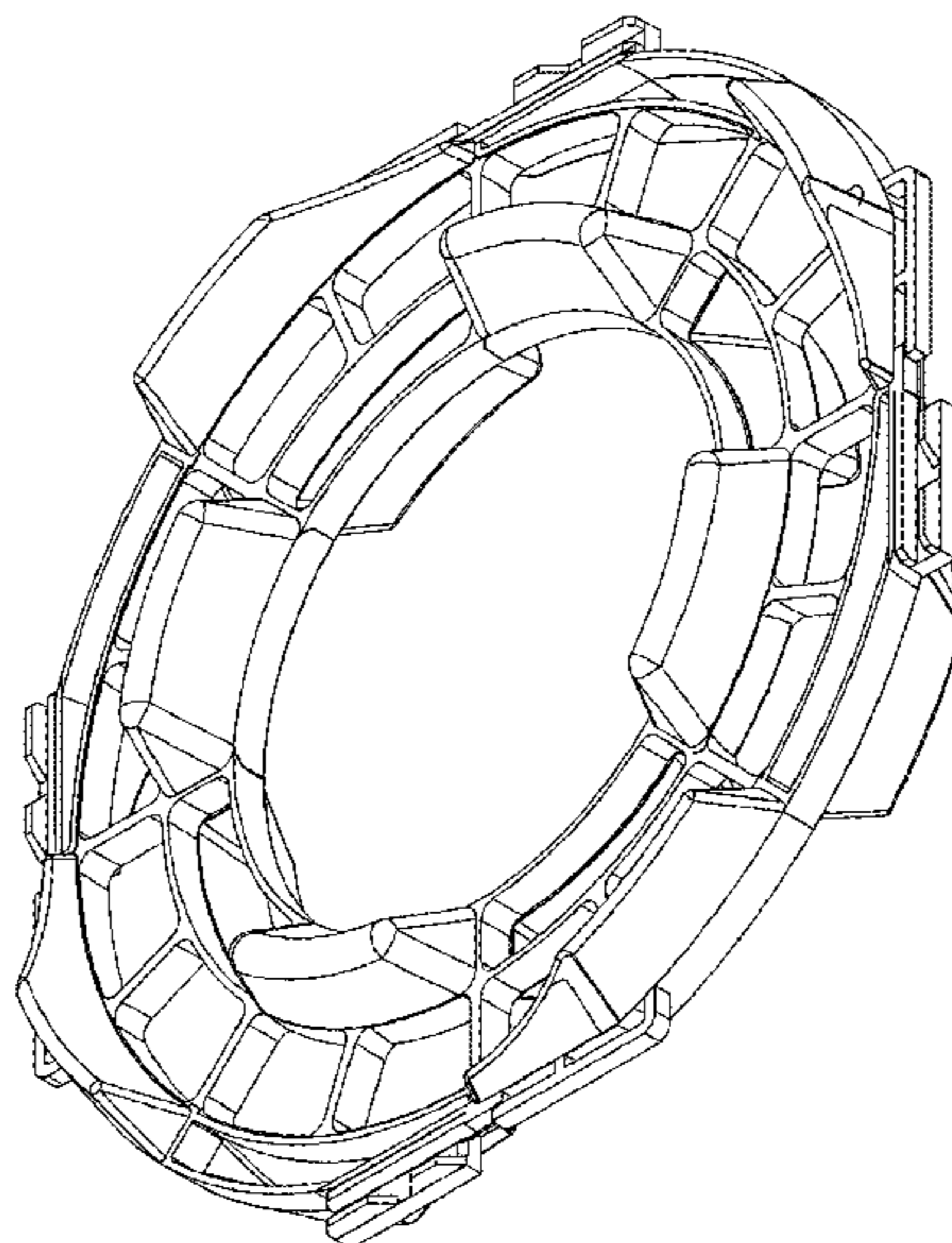
**CLAIM**

(57) The ornamental design for a container-locating pallet, as shown and described.

**DESCRIPTION**

FIG. 1 is a top, right-hand side perspective view of a container-locating pallet embodying the principles of my new design;  
FIG. 2 is a top view thereof;  
FIG. 3 is a front view thereof;  
FIG. 4 is a bottom view thereof;  
FIG. 5 is a rear view thereof;  
FIG. 6 is a side view thereof as seen from the right-hand side of FIG. 2; and,  
FIG. 7 is a side view thereof as seen from the left-hand side of FIG. 2.

**1 Claim, 7 Drawing Sheets**



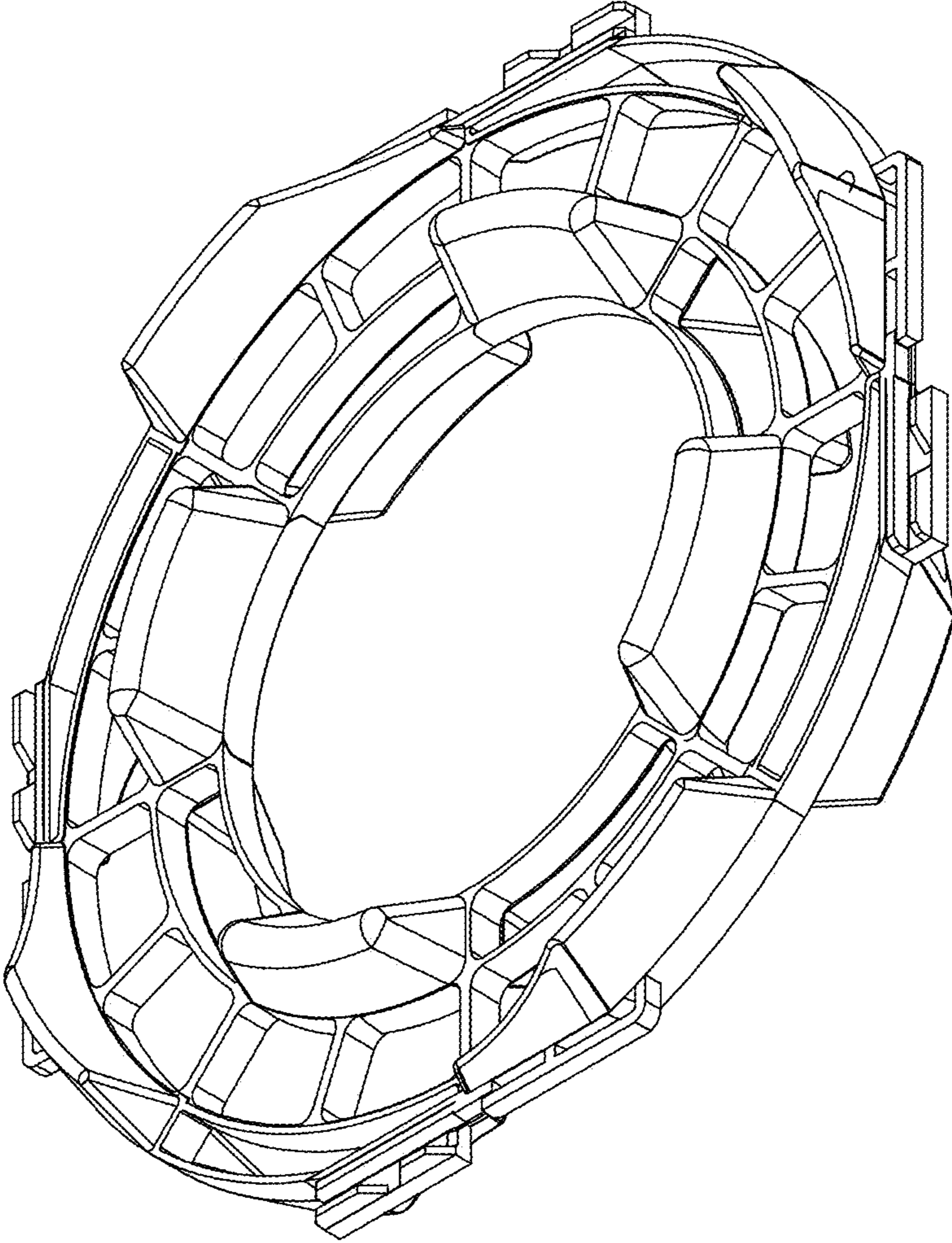


FIG. 1

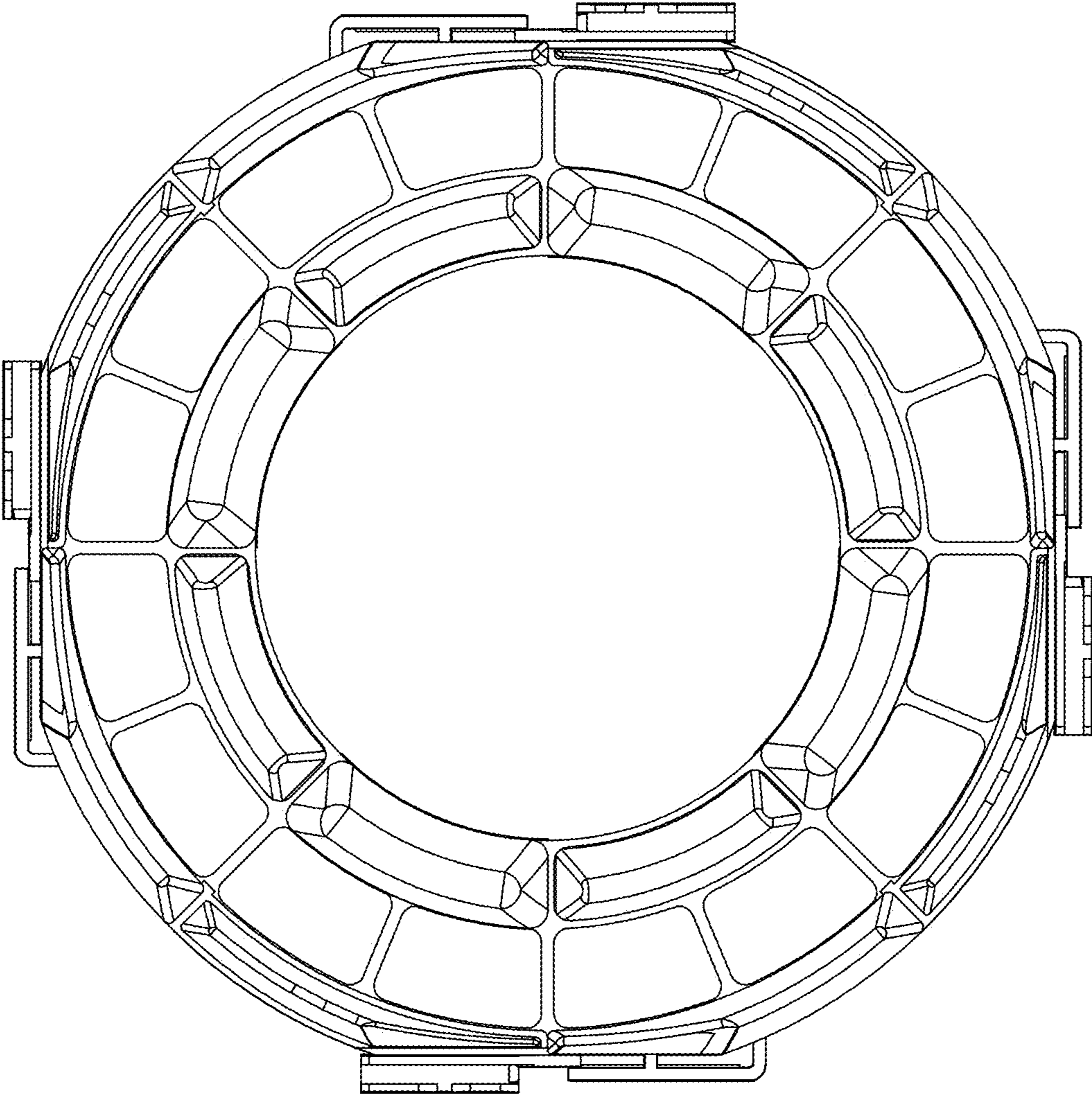


FIG. 2

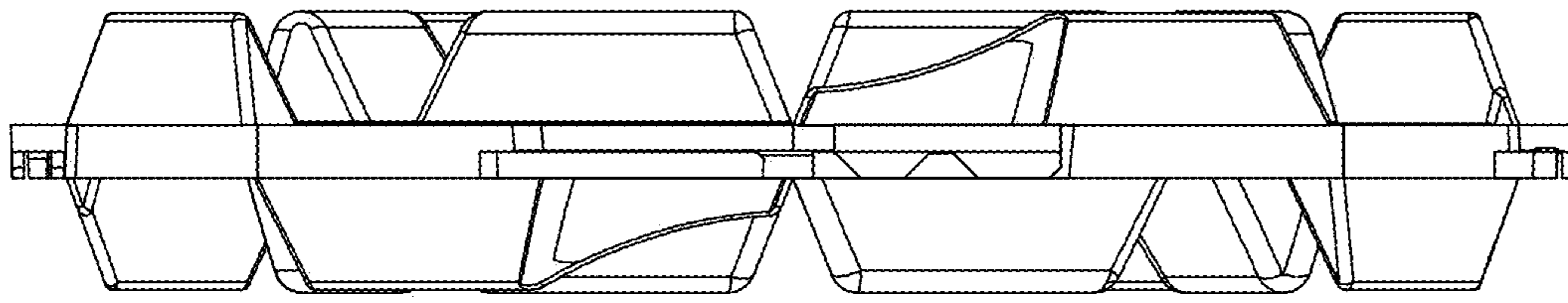


FIG. 3

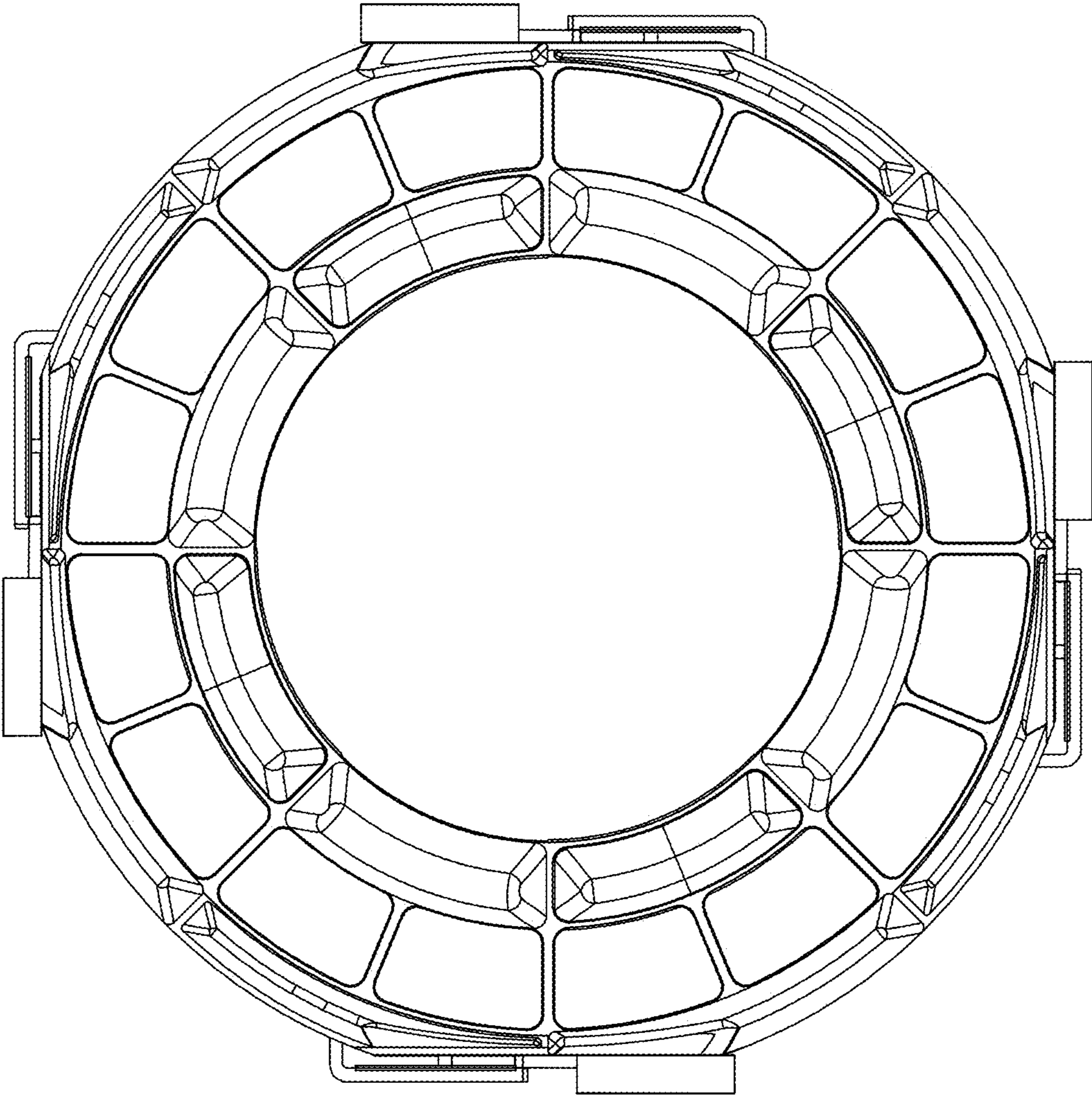


FIG. 4

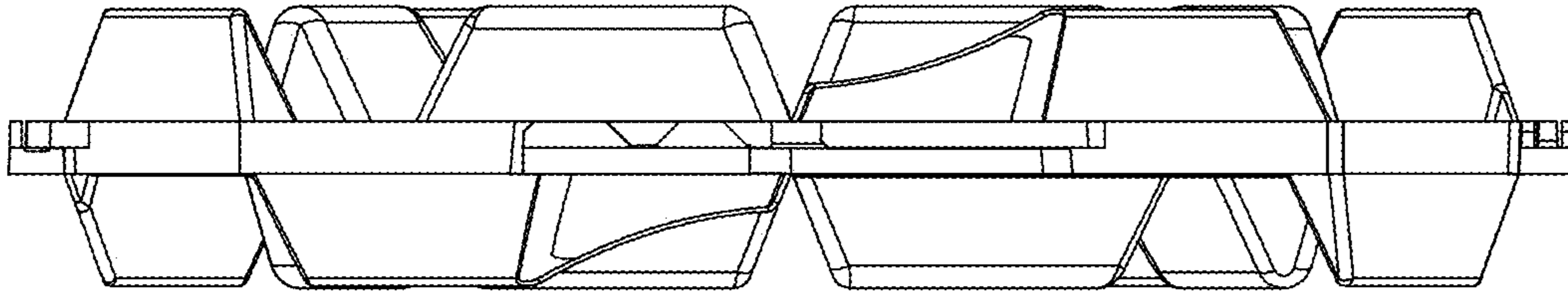


FIG. 5

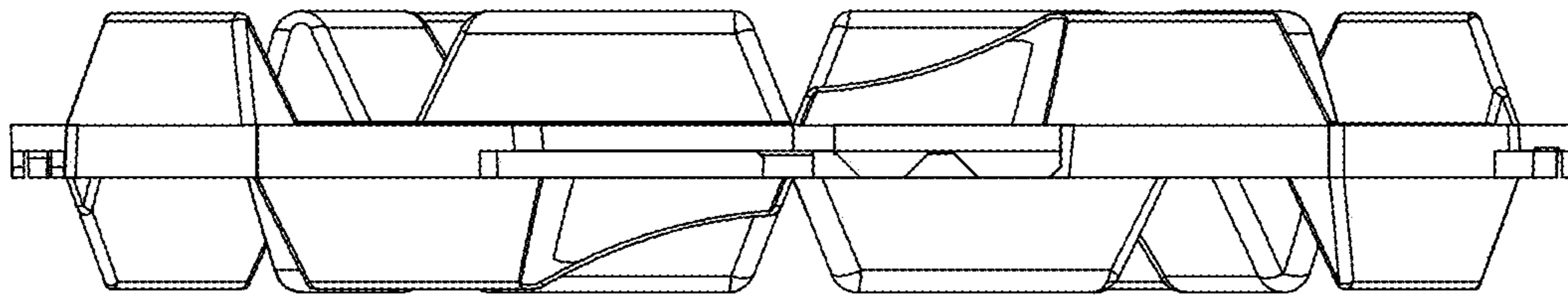


FIG. 6

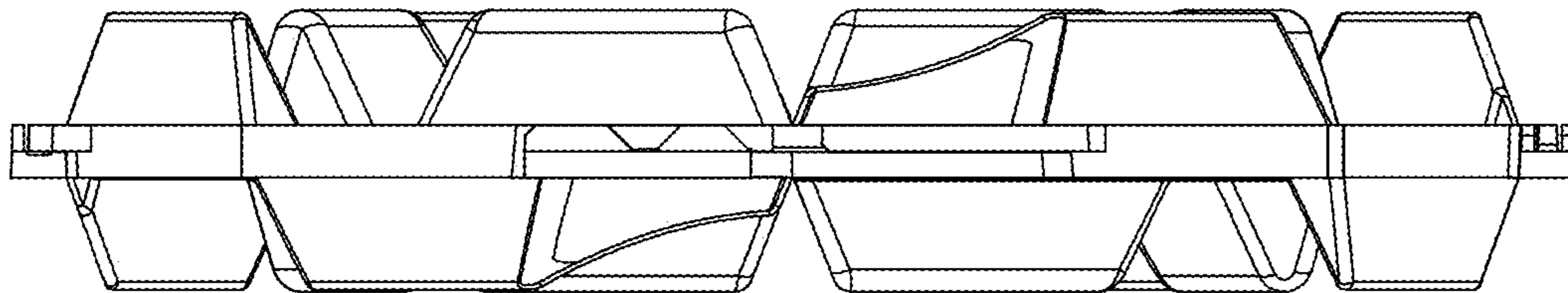


FIG. 7