



US00D911660S

(12) **United States Design Patent** (10) **Patent No.:** **US D911,660 S**  
**Hokanson** (45) **Date of Patent:** **\*\* Feb. 23, 2021**

(54) **SKID-STEER PALLET FORK RACK**  
(71) Applicant: **Craig Richard Hokanson**, Clearfield,  
UT (US)  
(72) Inventor: **Craig Richard Hokanson**, Clearfield,  
UT (US)  
(\*\*) Term: **15 Years**  
(21) Appl. No.: **29/683,334**  
(22) Filed: **Mar. 12, 2019**  
(51) **LOC (13) Cl.** ..... **12-05**  
(52) **U.S. Cl.**  
USPC ..... **D34/35**  
(58) **Field of Classification Search**  
USPC ..... D34/12-20, 23-28, 33-35, 37; D15/10,  
D15/23-33; D12/86, 90-92, 163, 164,  
D12/169, 171, 196, 216  
CPC .... B60P 1/00; B60P 1/50; B60P 1/483; B66F  
9/06; B66F 9/24; B66F 9/0755; B66F  
9/07572; B66C 23/00  
See application file for complete search history.

D459,003 S \* 6/2002 Hallberg ..... D25/62  
D584,422 S \* 1/2009 Dangrow ..... D25/68  
D644,742 S \* 9/2011 Rivera, Jr. .... D25/62  
D738,404 S \* 9/2015 Paine ..... D15/28  
2013/0051971 A1\* 2/2013 Wyse ..... B60P 1/00  
414/812  
2018/0343783 A1\* 12/2018 Ayers ..... A01B 31/00  
2018/0370779 A1\* 12/2018 Ivey ..... B66F 9/12  
2019/0161331 A1\* 5/2019 Esquilin-Mangual .... B66F 9/12  
2020/0102196 A1\* 4/2020 Saleh ..... B66F 9/141

\* cited by examiner

*Primary Examiner* — George A Bugg  
*Assistant Examiner* — Tamara L Hahn  
(74) *Attorney, Agent, or Firm* — Steven Rinehart

(57) **CLAIM**

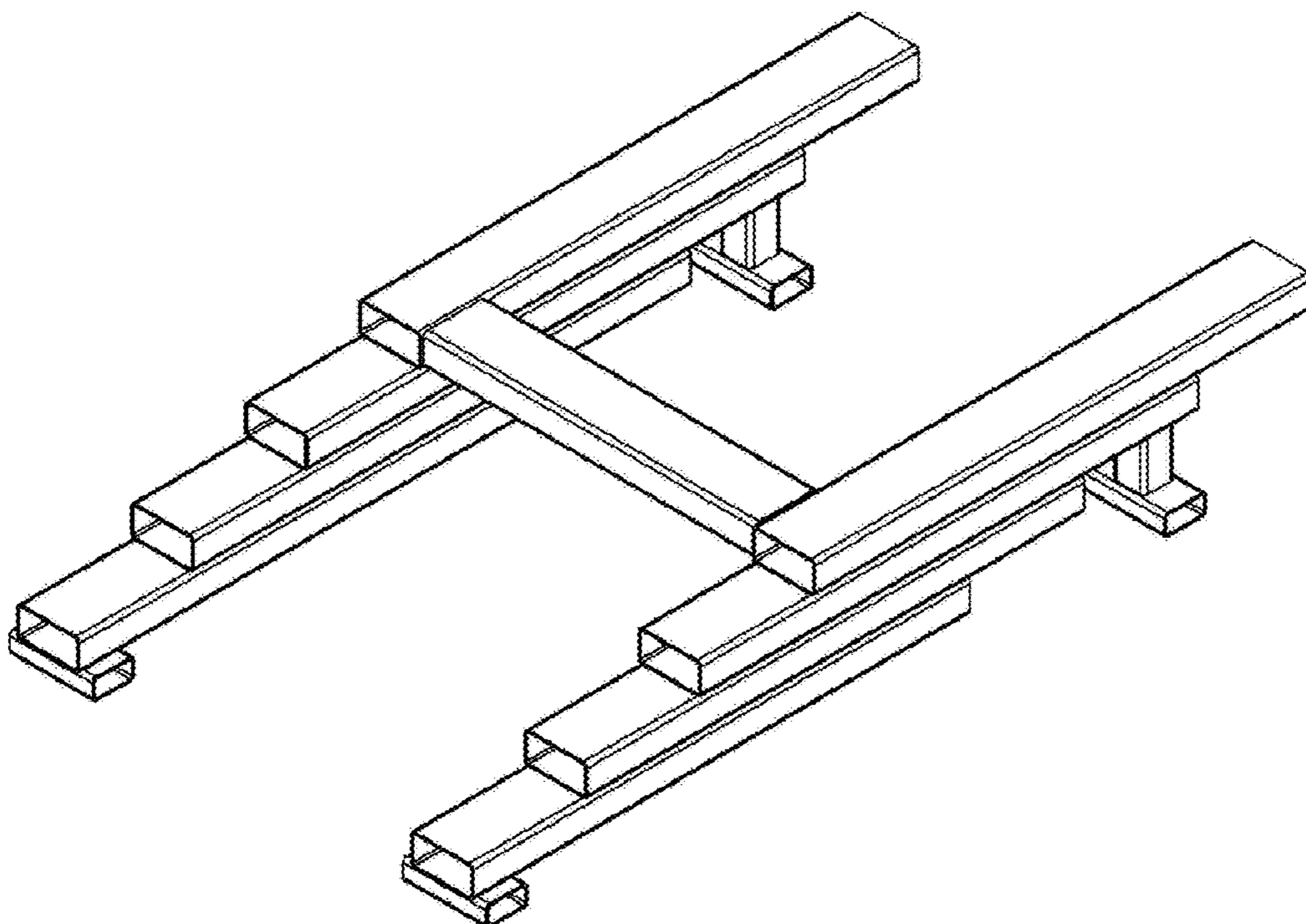
The ornamental design for a skid-steer pallet fork rack, as shown and described.

**DESCRIPTION**

FIG. 1 is a perspective view of skid-steer pallet fork rack; FIG. 2 is a second perspective view thereof; FIG. 3 is an enlarged end view thereof; FIG. 4 a left side elevation view thereof; FIG. 5 a right side elevation view thereof; and, FIG. 6 a top plan view thereof. The broken lines are for the purpose of illustrating the environment of a skid-steer pallet fork only and form no part of the claimed design.

**1 Claim, 4 Drawing Sheets**

(56) **References Cited**  
U.S. PATENT DOCUMENTS  
3,400,502 A \* 9/1968 Scaggs ..... E04H 3/123  
52/9  
3,488,898 A \* 1/1970 Scaggs ..... E04H 3/123  
52/10  
4,394,107 A \* 7/1983 Siebert ..... B66F 9/06  
187/235  
5,605,025 A \* 2/1997 Paddock ..... A47C 1/126  
52/741.2



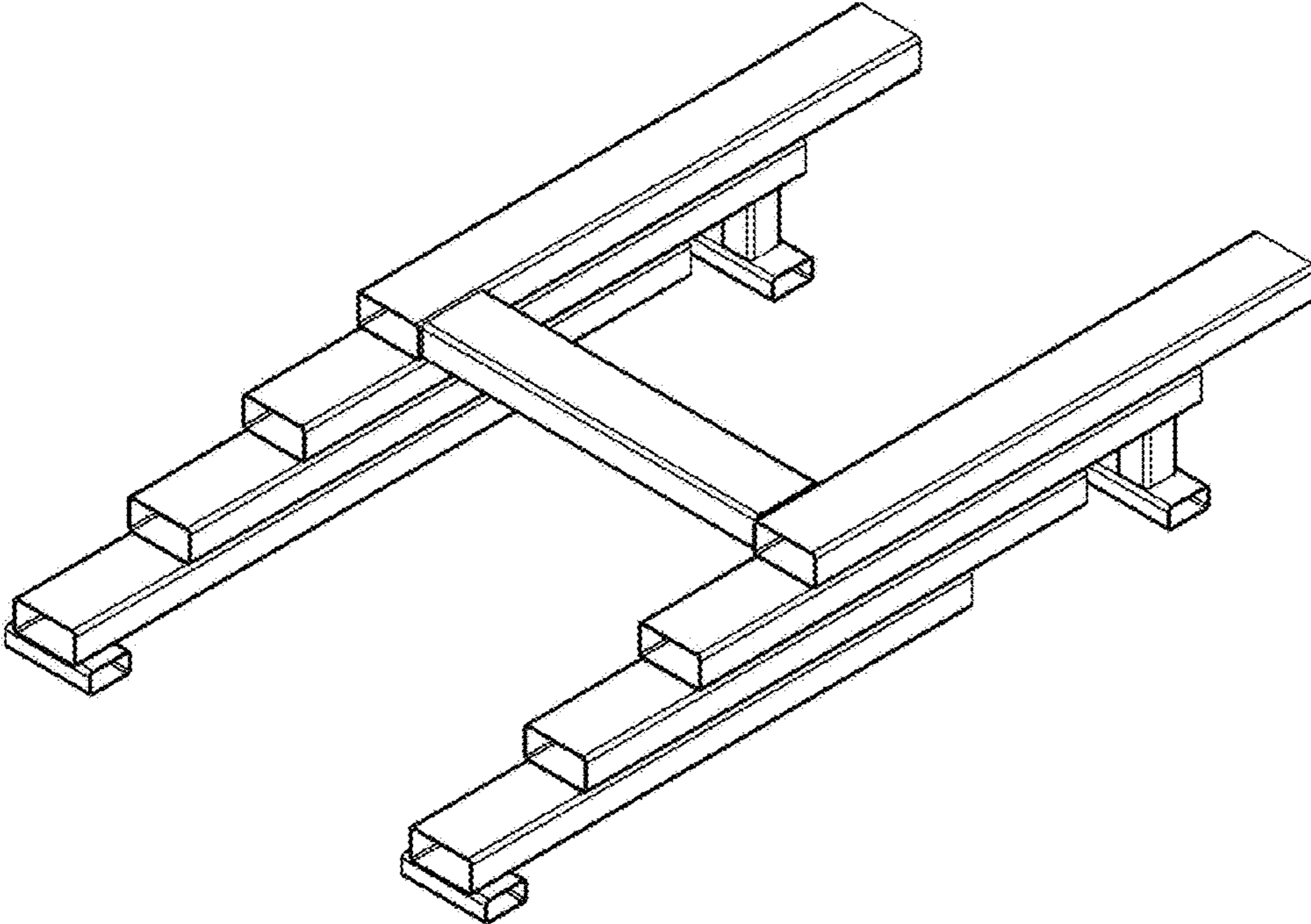


FIG. 1

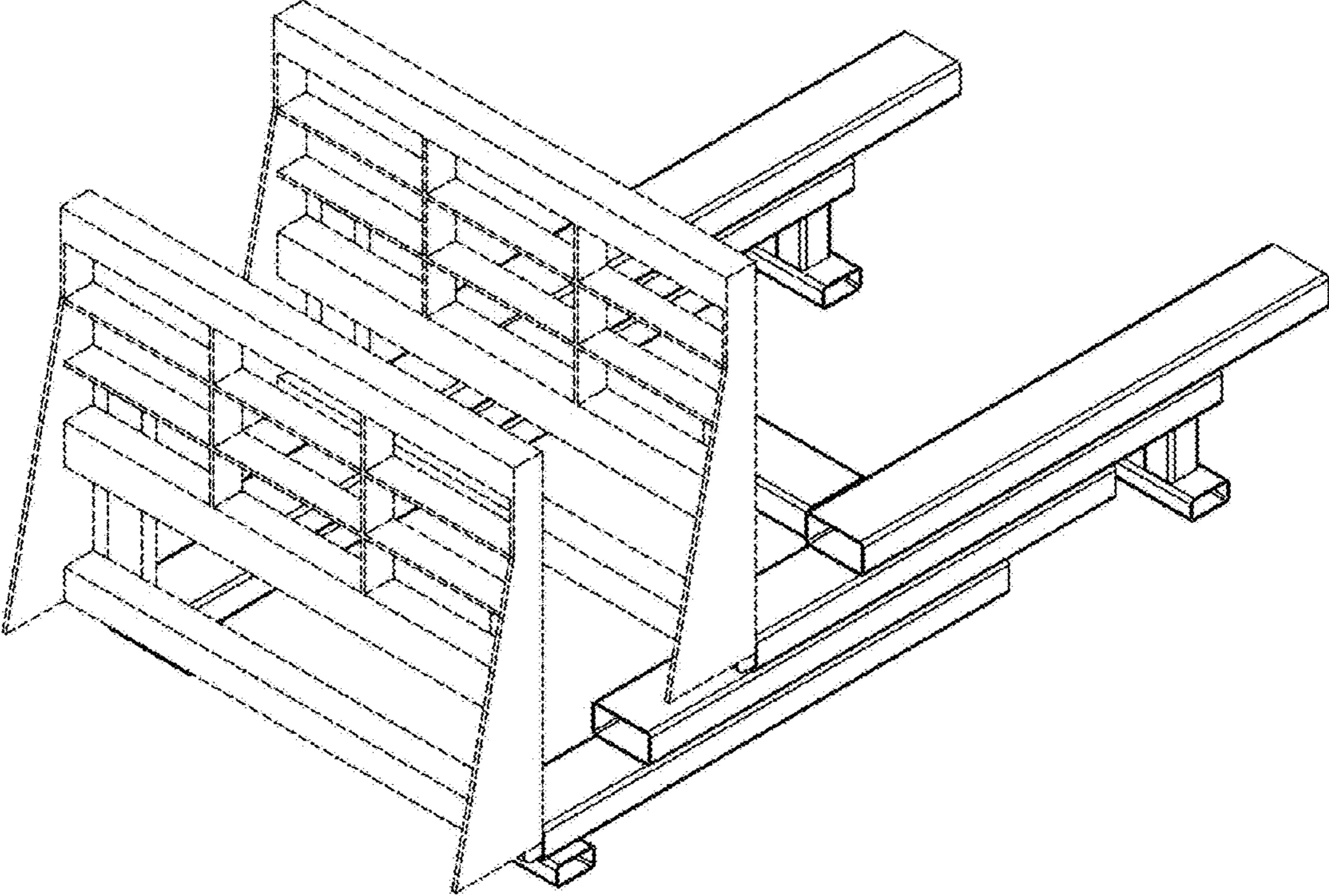


FIG. 2

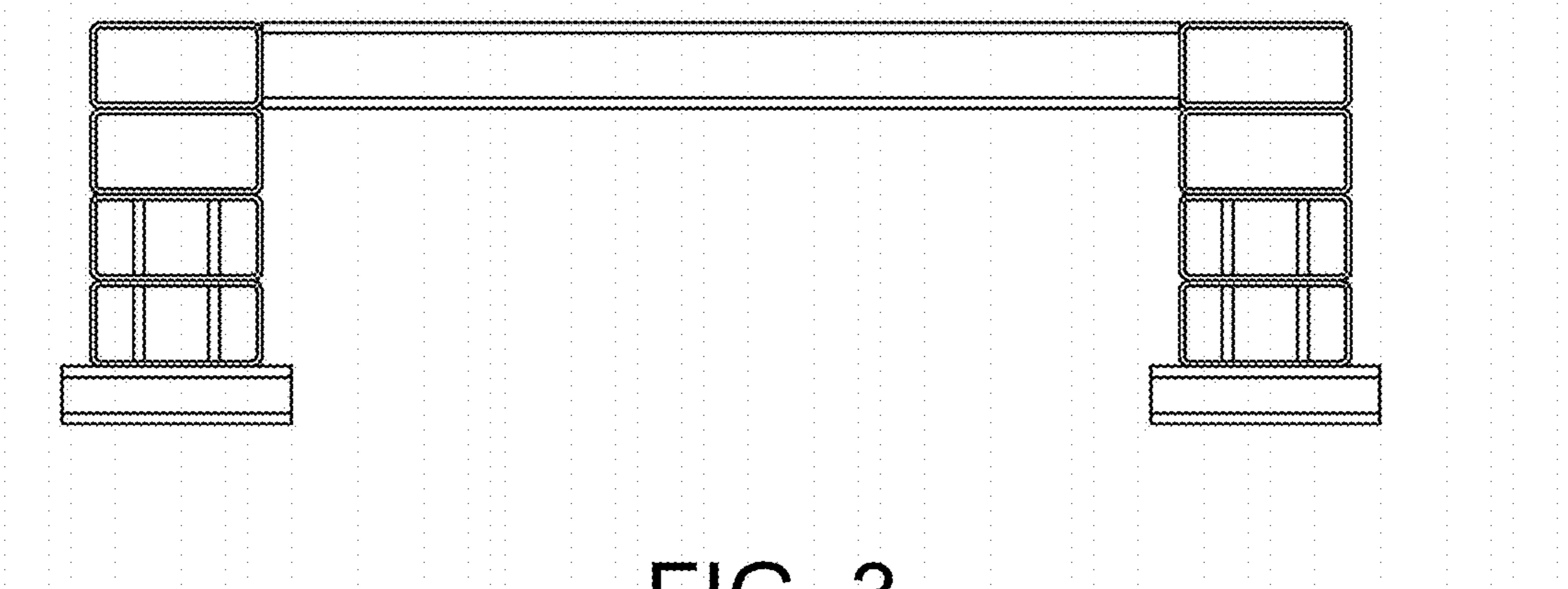


FIG. 3

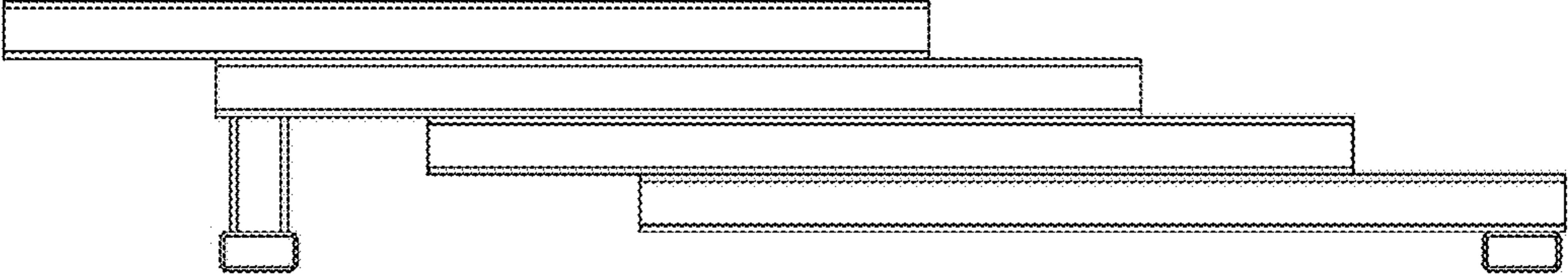


FIG. 4

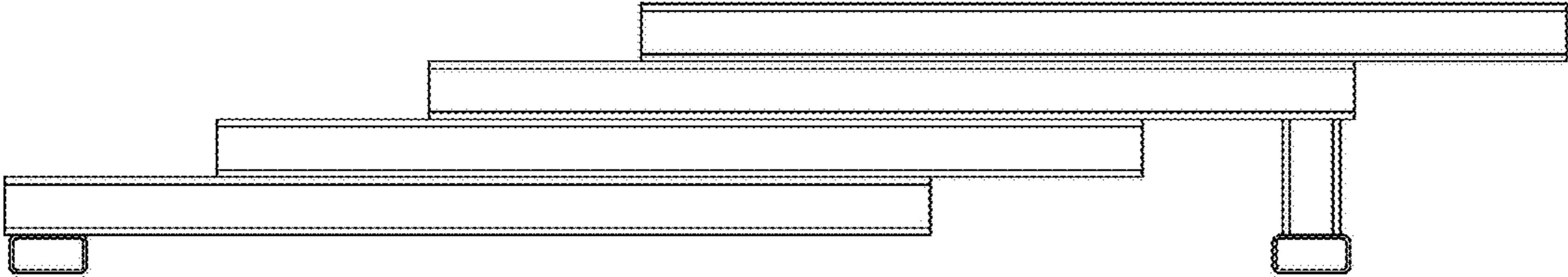


FIG. 5

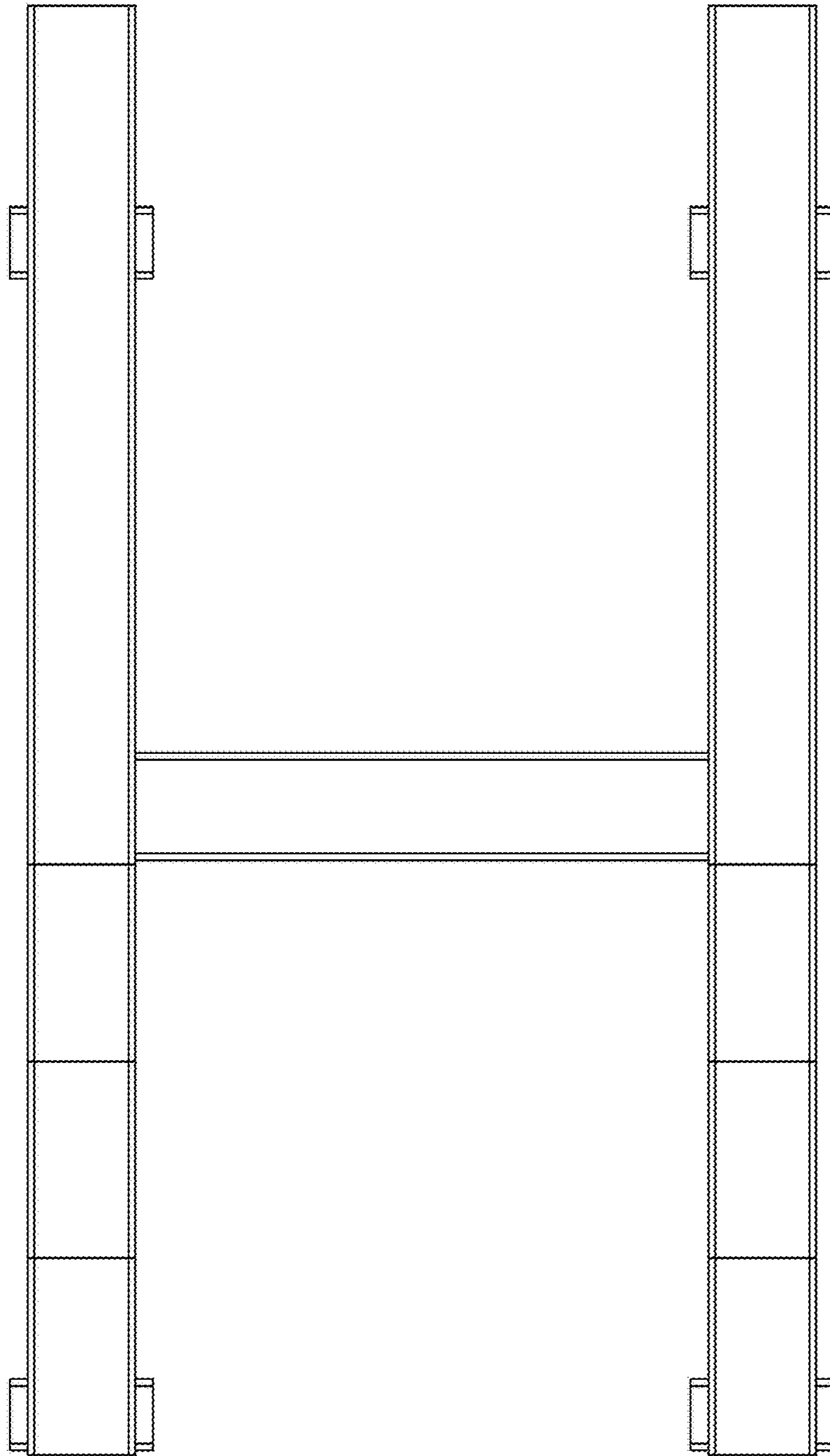


FIG. 6