



US00D911659S

(12) **United States Design Patent** (10) **Patent No.:** **US D911,659 S**  
**Robinson** (45) **Date of Patent:** **\*\* Feb. 23, 2021**

(54) **TIRE AND WHEEL ASSEMBLY LIFTING DEVICE**

(71) Applicant: **Kevin Robinson**, Brighton, CO (US)

(72) Inventor: **Kevin Robinson**, Brighton, CO (US)

(\*\*) Term: **15 Years**

(21) Appl. No.: **29/719,786**

(22) Filed: **Jan. 7, 2020**

(51) **LOC (13) Cl.** ..... **12-05**

(52) **U.S. Cl.**  
USPC ..... **D34/28**

(58) **Field of Classification Search**  
USPC ..... D34/28-39; D15/199; D23/269;  
D12/535-539  
CPC . B60B 29/001; B66F 3/00; B66F 5/00; A63B  
26/003  
See application file for complete search history.

(56) **References Cited**

**U.S. PATENT DOCUMENTS**

3,828,955 A 8/1974 Harkey  
4,350,470 A 9/1982 Murillo  
4,872,694 A 10/1989 Griesinger  
4,911,440 A \* 3/1990 Hyman ..... A63B 22/16  
482/146  
D360,514 S \* 7/1995 Collingridge ..... D34/23  
5,984,611 A 11/1999 Warner  
6,017,297 A \* 1/2000 Collins ..... A63B 26/003  
482/146  
2018/0345725 A1 12/2018 Teal

**FOREIGN PATENT DOCUMENTS**

GB 2260117 A 4/1993

\* cited by examiner

*Primary Examiner* — George A Bugg

*Assistant Examiner* — Tamara L Hahn

(74) *Attorney, Agent, or Firm* — Quickpatents, LLC;  
Kevin Prince

(57) **CLAIM**

The ornamental design for a tire and wheel assembly lifting device, as shown and described.

**DESCRIPTION**

FIG. 1 is a top perspective view of a tire and wheel assembly lifting device, showing a first embodiment of my new design;

FIG. 2 is a bottom perspective view of FIG. 1;

FIG. 3 is a front elevational view of FIG. 1;

FIG. 4 is a rear elevational view of FIG. 1;

FIG. 5 is a left-side elevational view of FIG. 1, the right-side elevational view being a mirror image thereof;

FIG. 6 is a top plan view of FIG. 1;

FIG. 7 is a bottom plan view of FIG. 1;

FIG. 8 is a top perspective view of a second embodiment thereof;

FIG. 9 is a bottom perspective view of FIG. 8;

FIG. 10 is a front elevational view of FIG. 8;

FIG. 11 is a rear elevational view of FIG. 8;

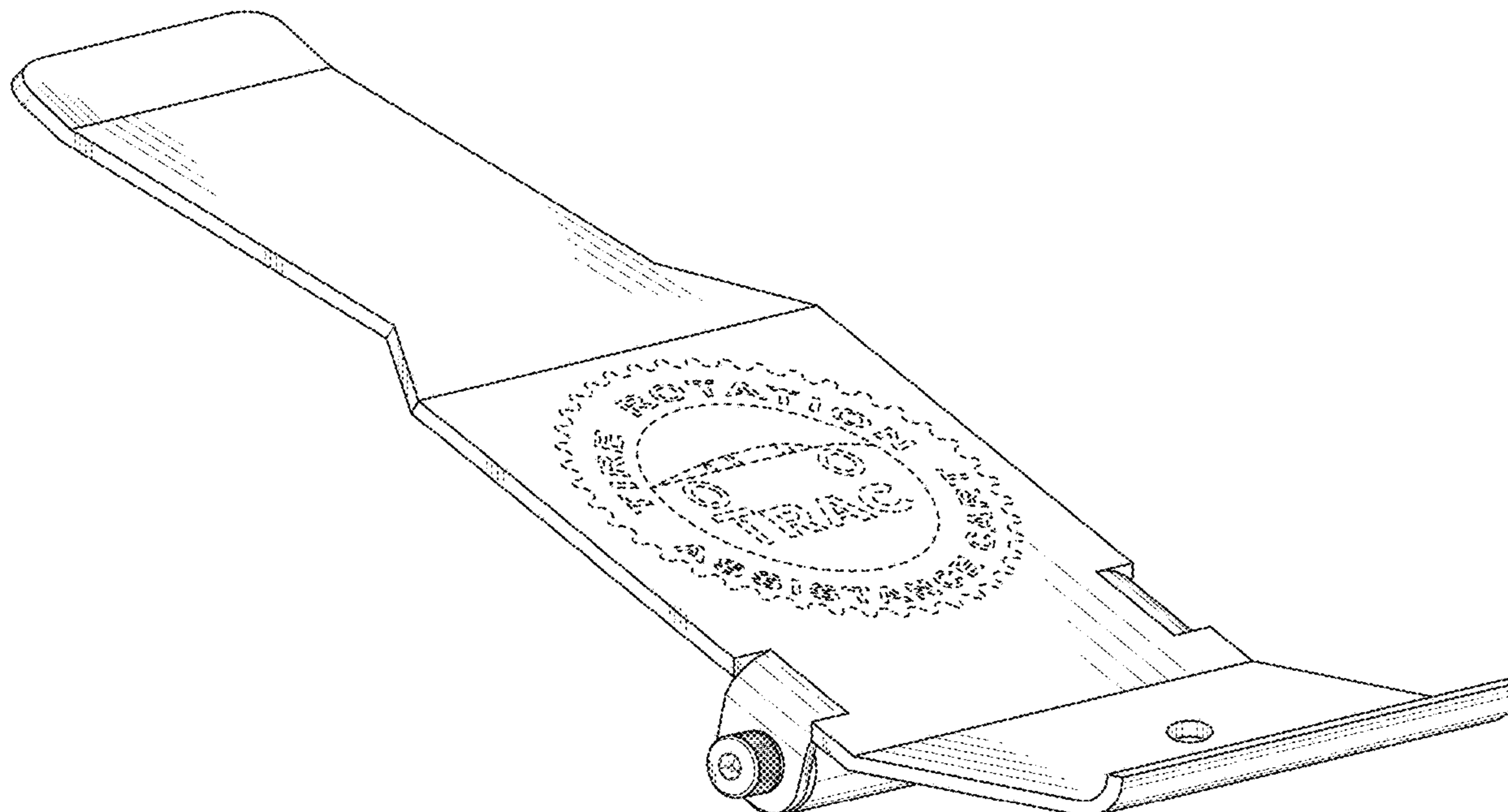
FIG. 12 is a left-side elevational view of FIG. 8, the right-side elevational view being a mirror image thereof;

FIG. 13 is a top plan view of FIG. 8; and,

FIG. 14 is a bottom plan view of FIG. 8.

The broken lines showing a logo in the figures depict environmental matter and form no part of the claimed design.

**1 Claim, 12 Drawing Sheets**



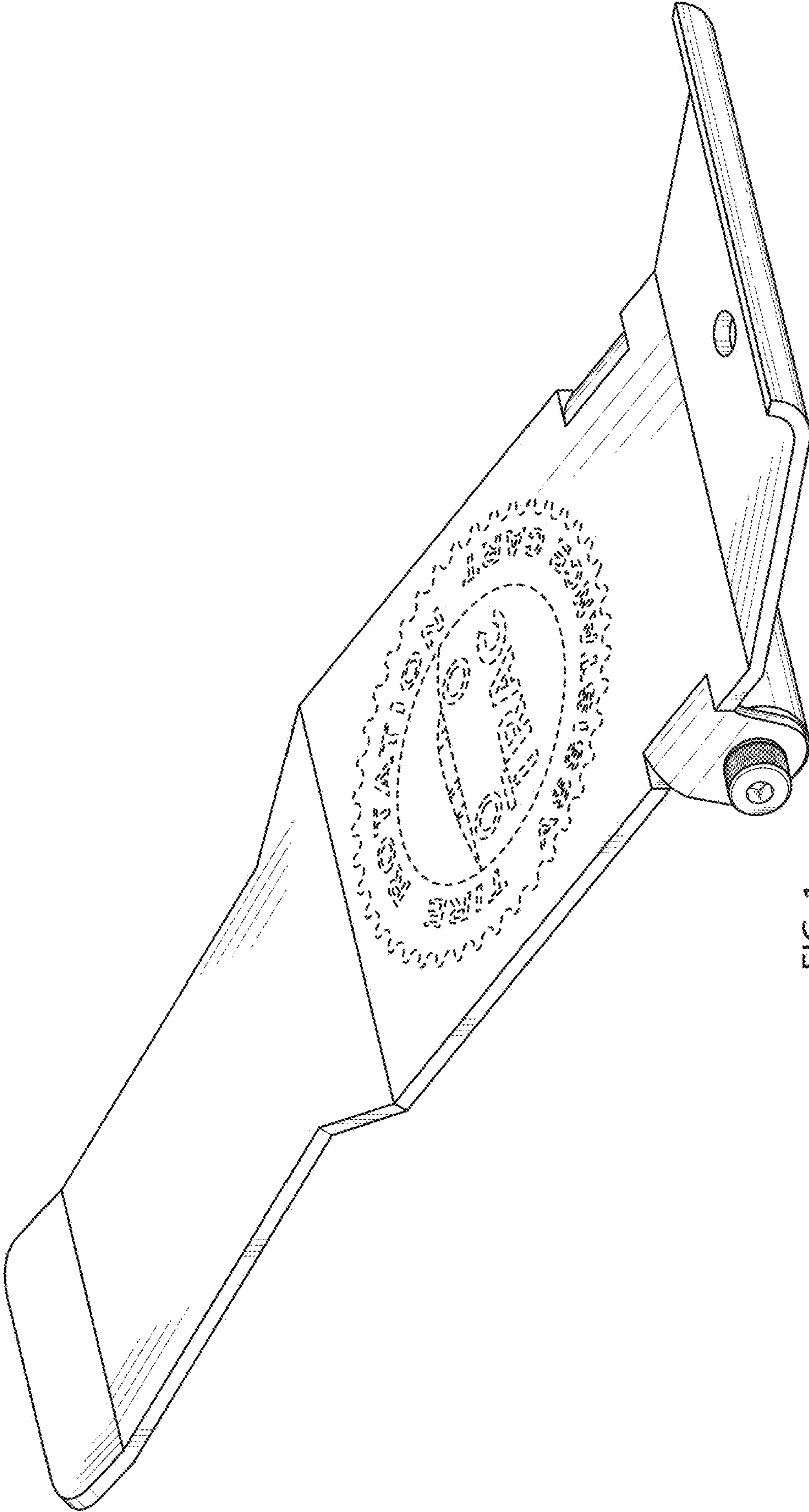


FIG. 1

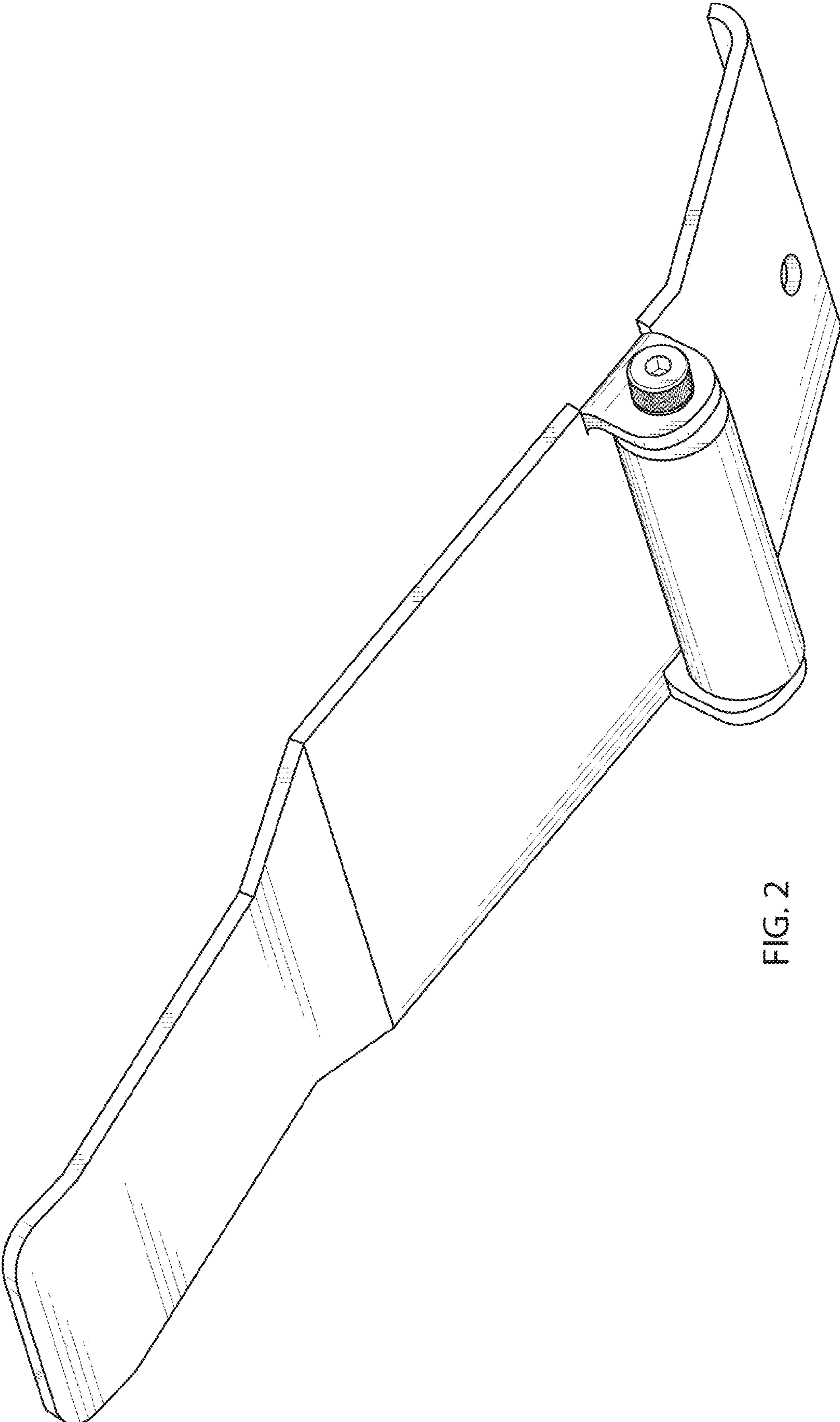


FIG. 2

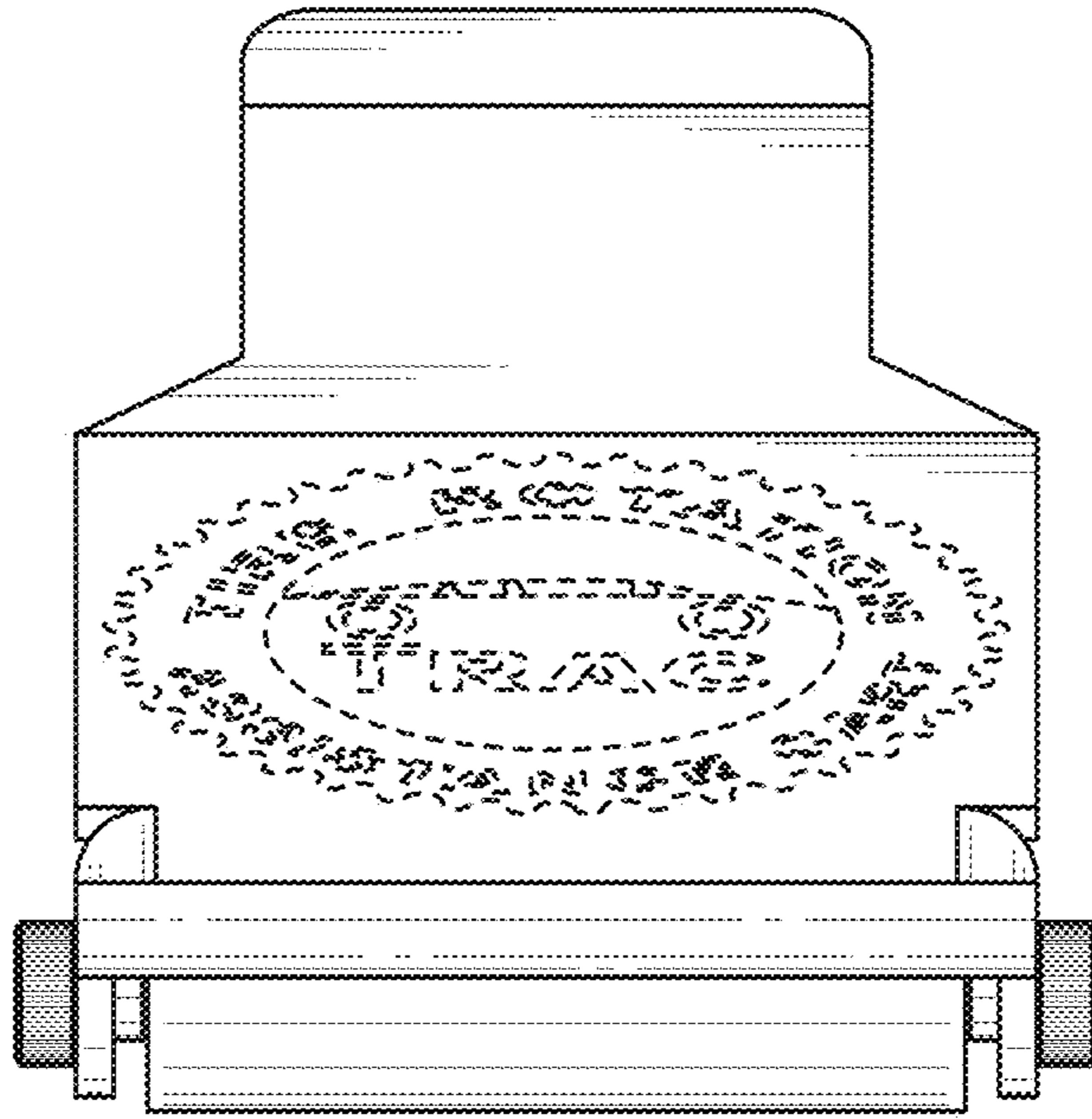


FIG. 3

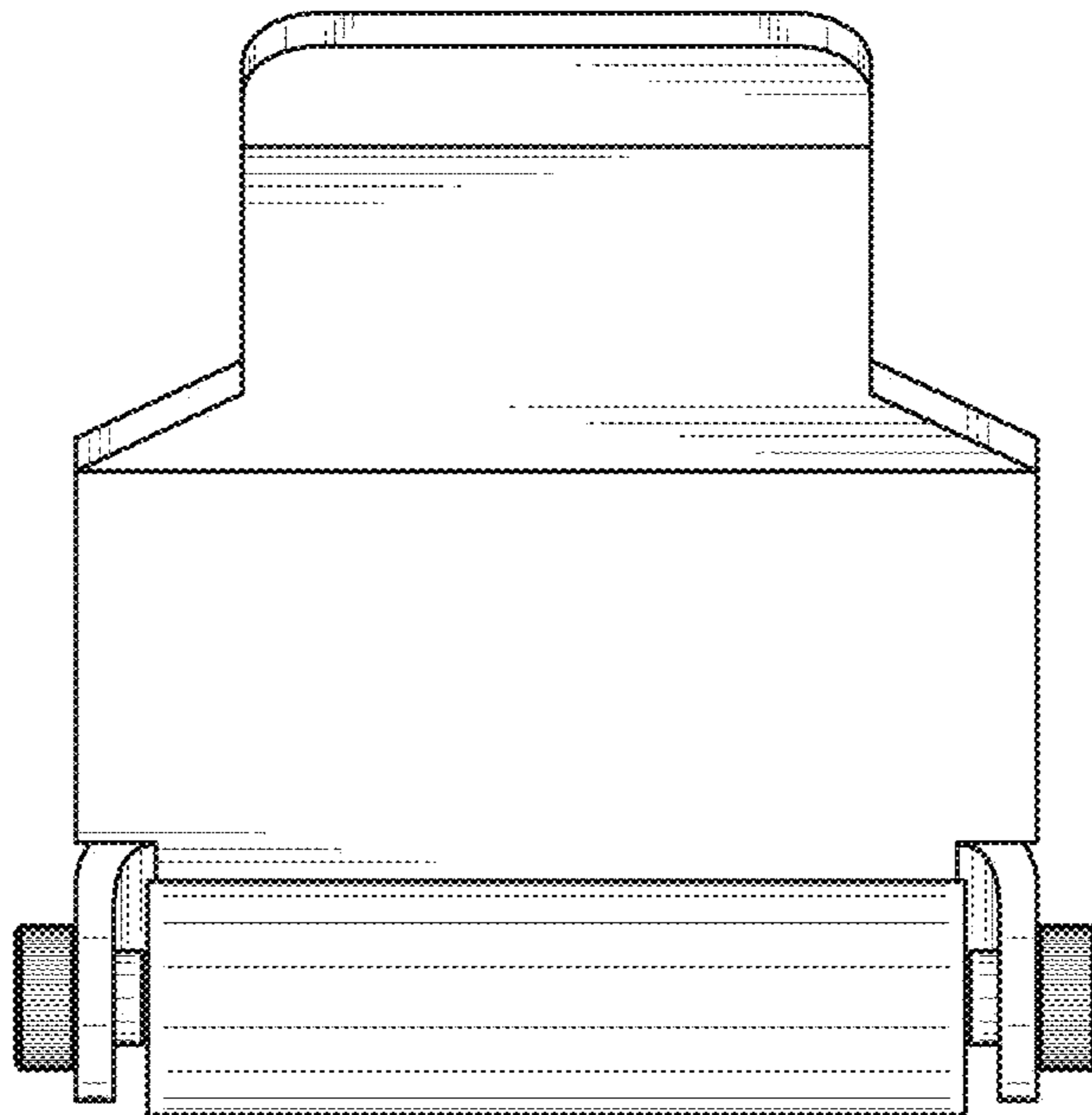


FIG. 4

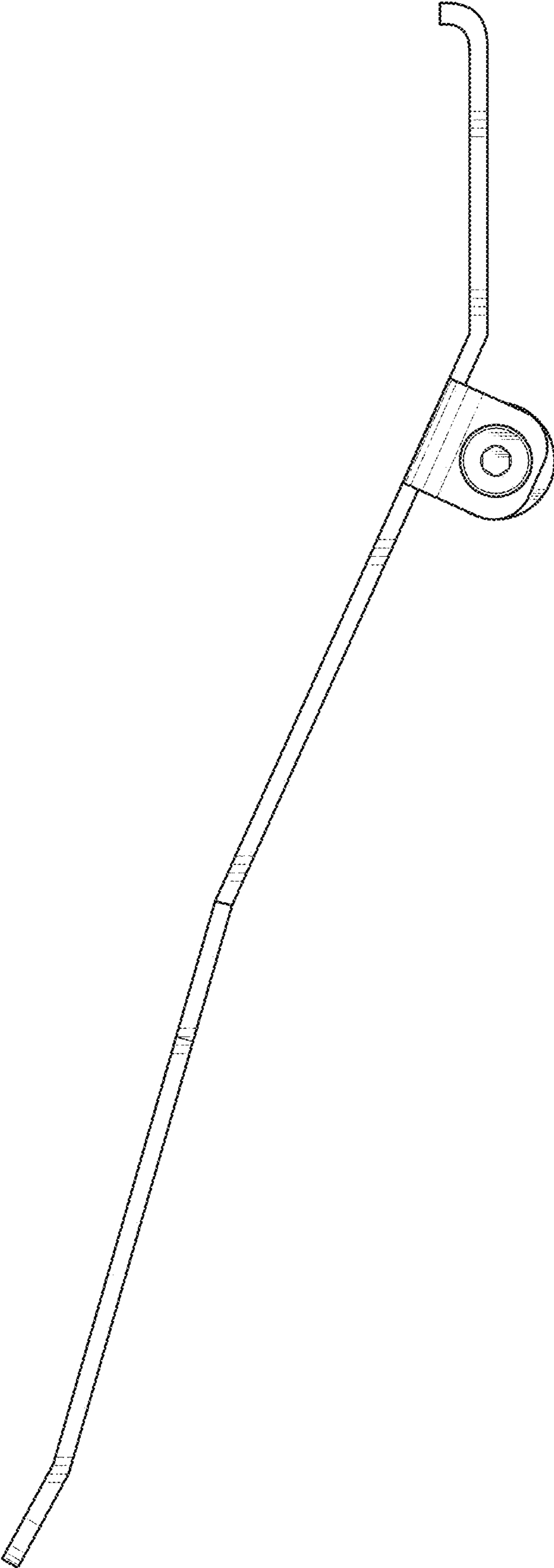


FIG. 5

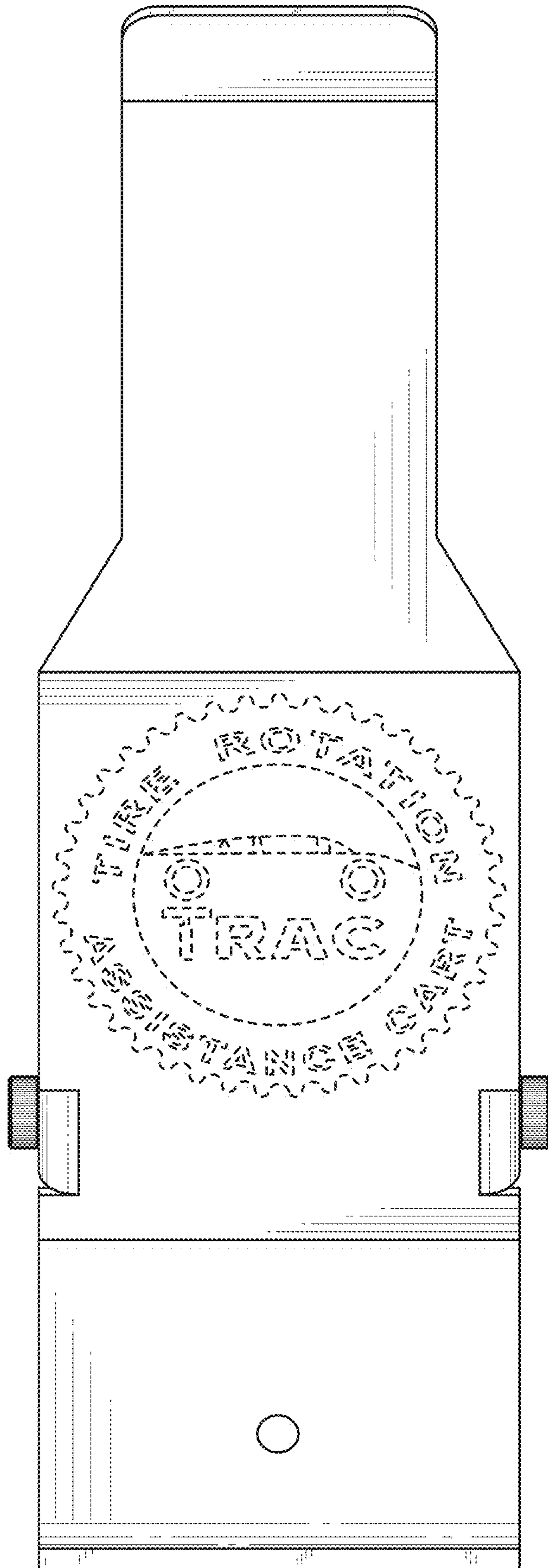


FIG. 6

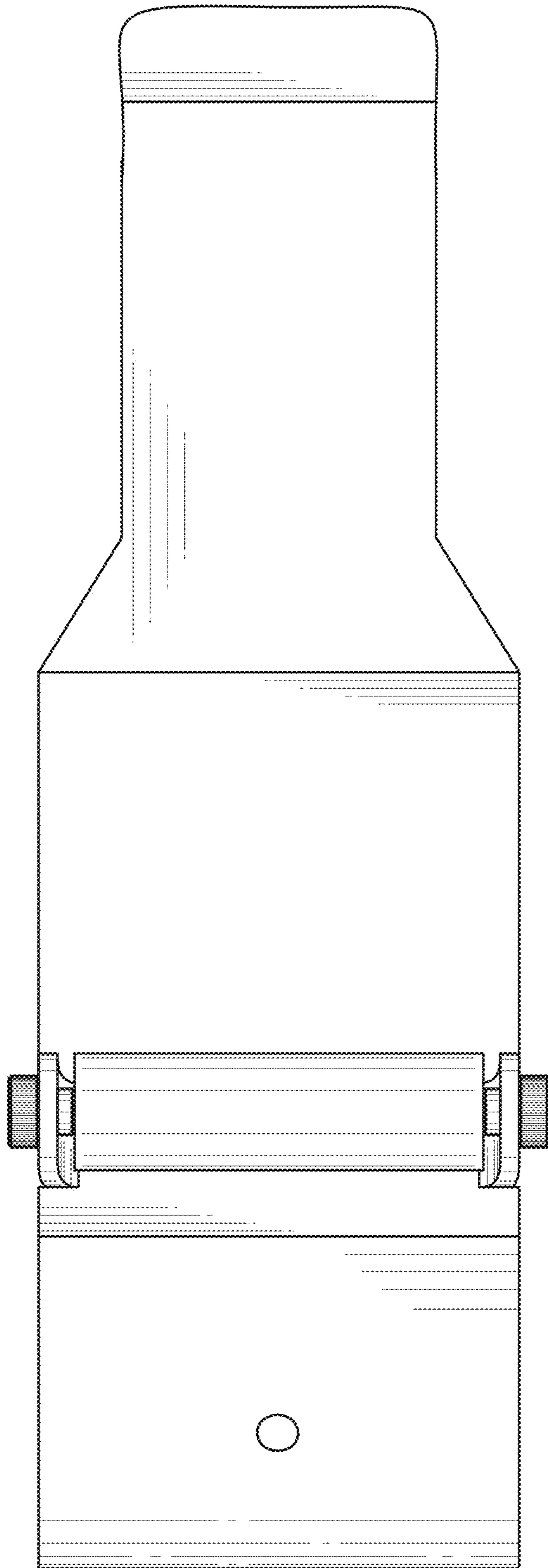


FIG. 7

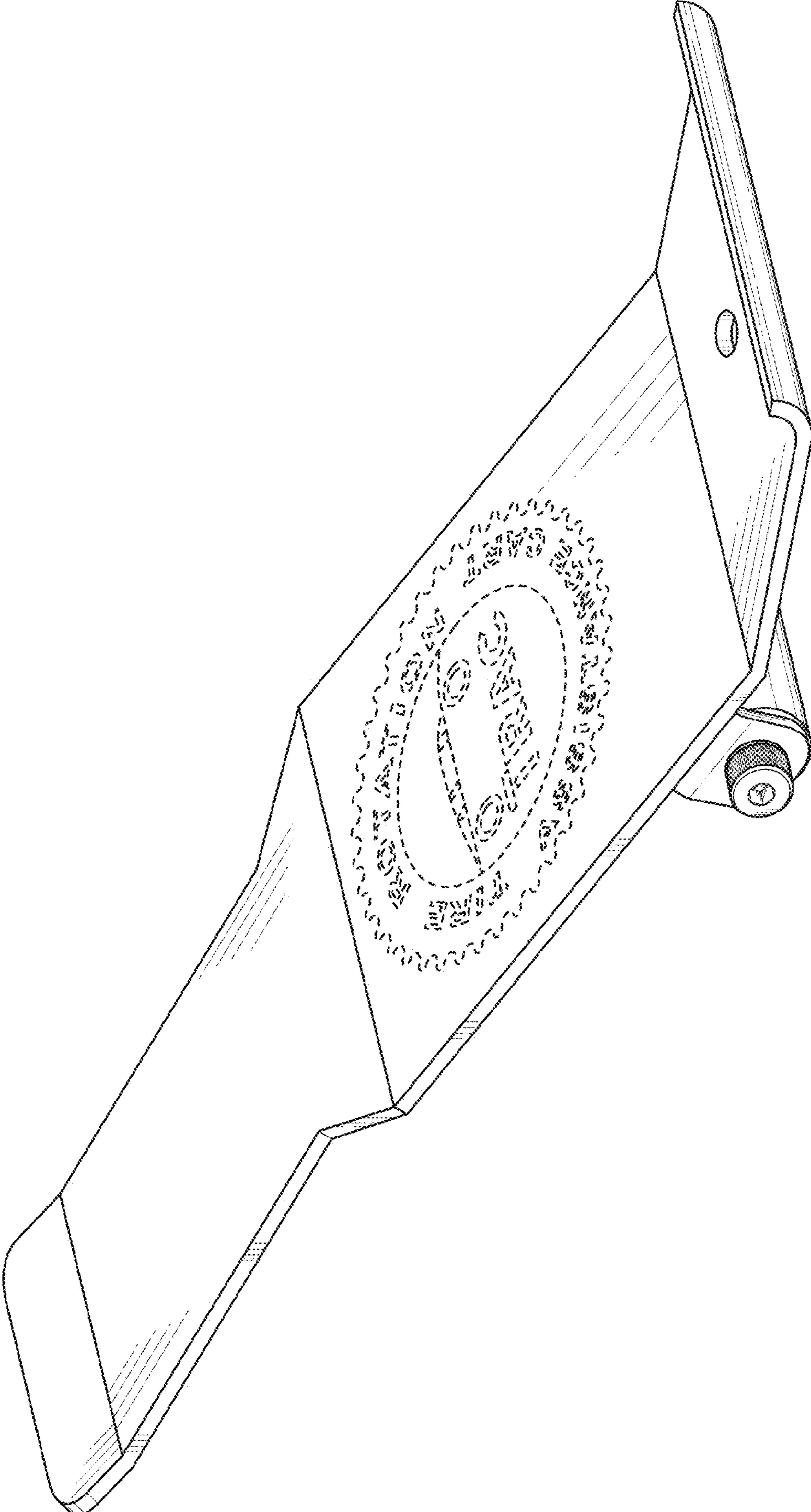


FIG. 8



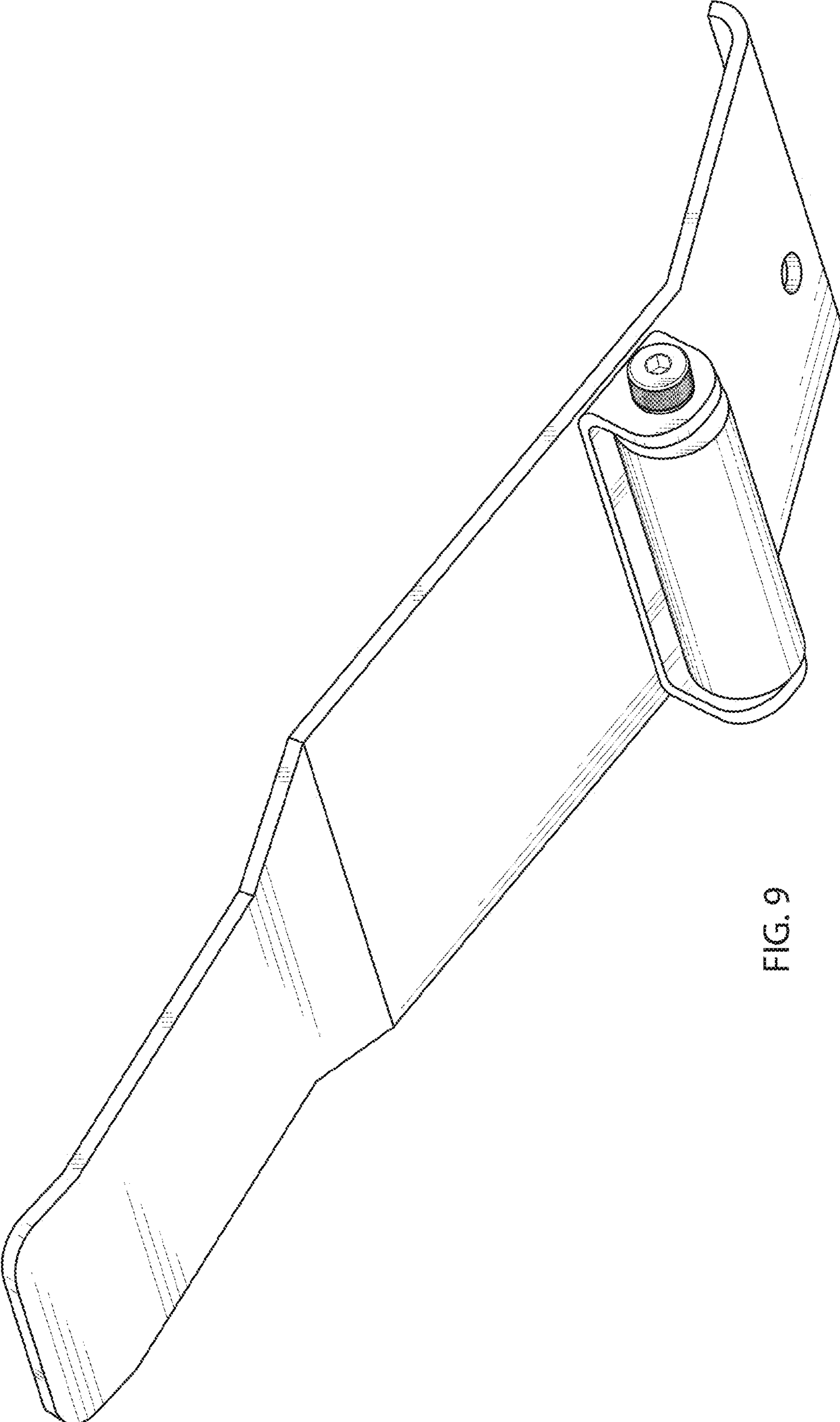


FIG. 9

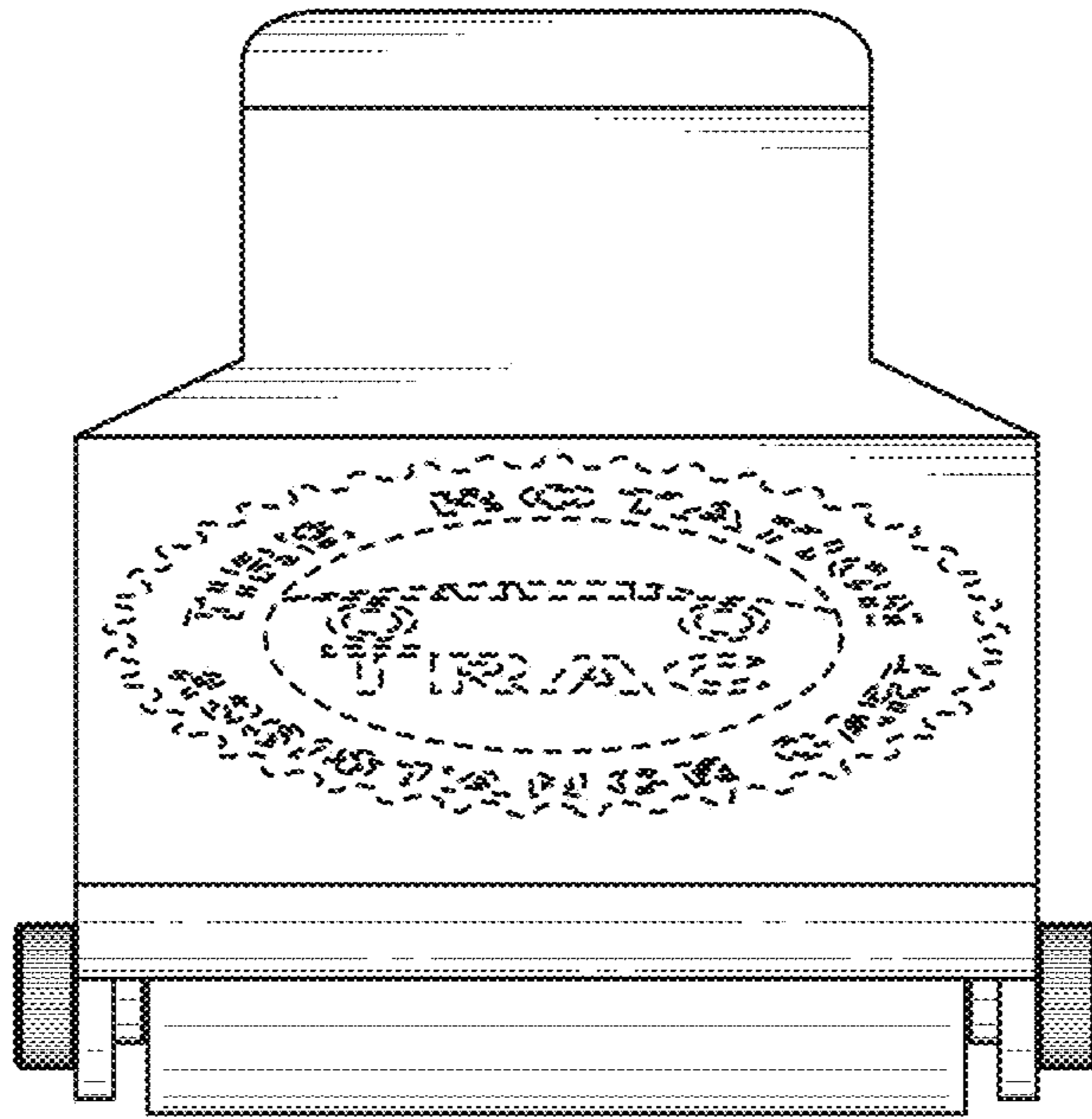


FIG. 10

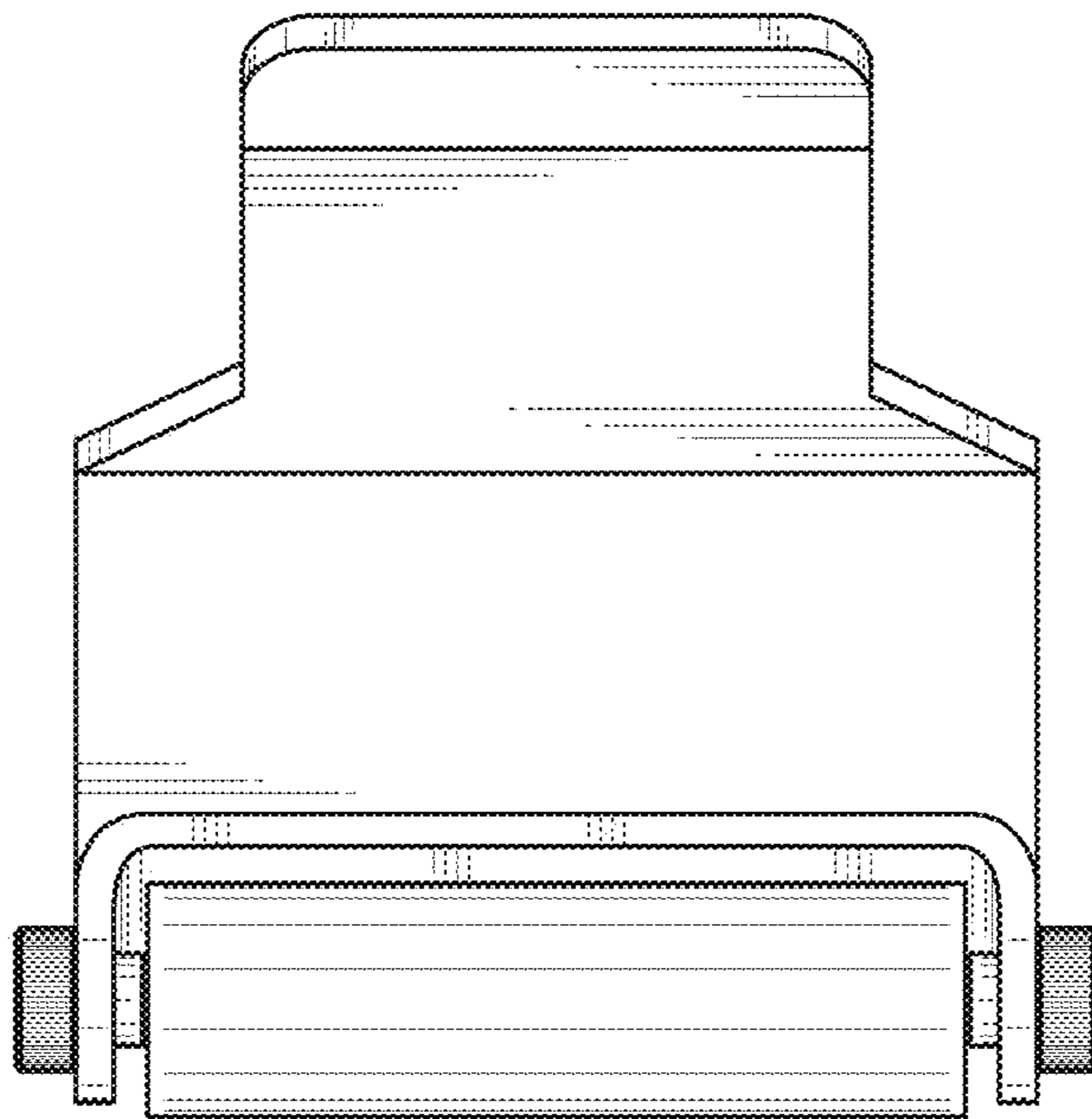


FIG. 11

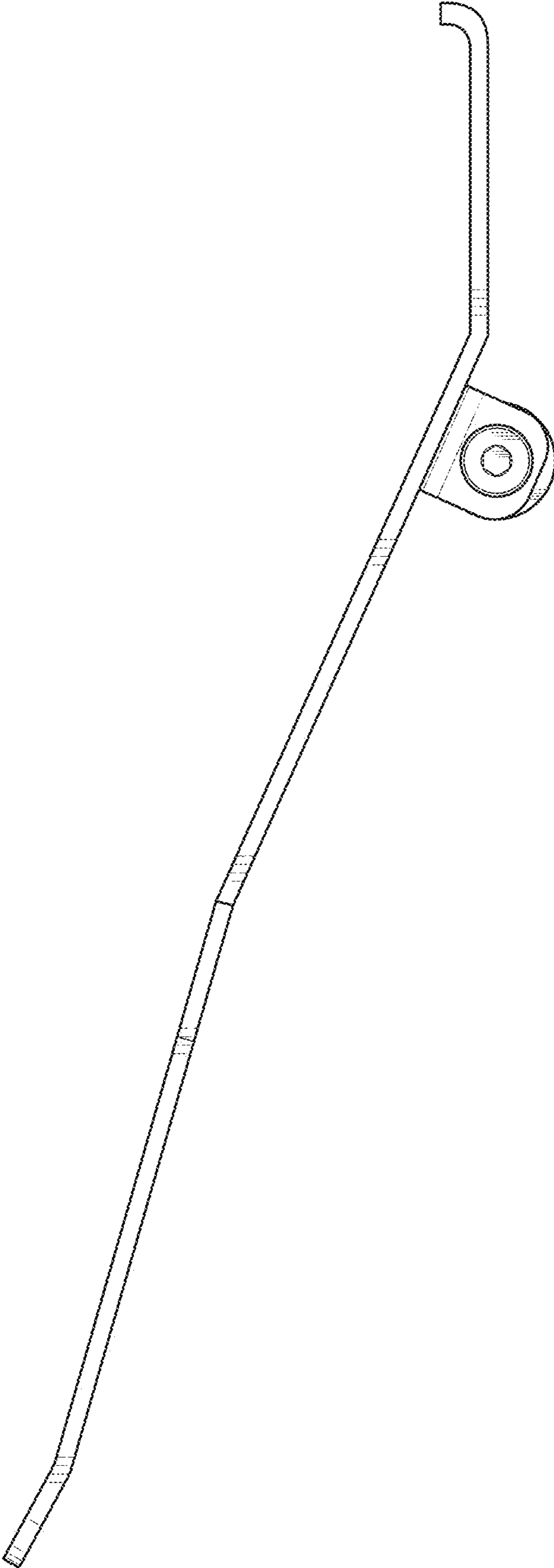


FIG. 12

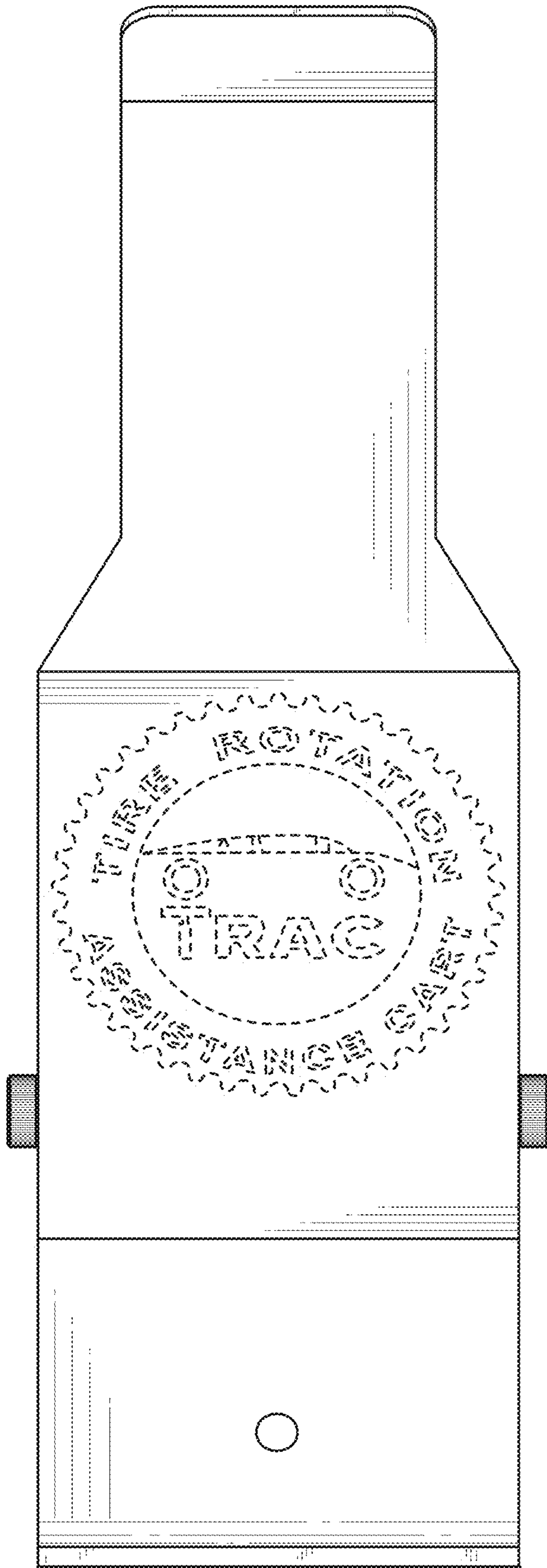


FIG. 13

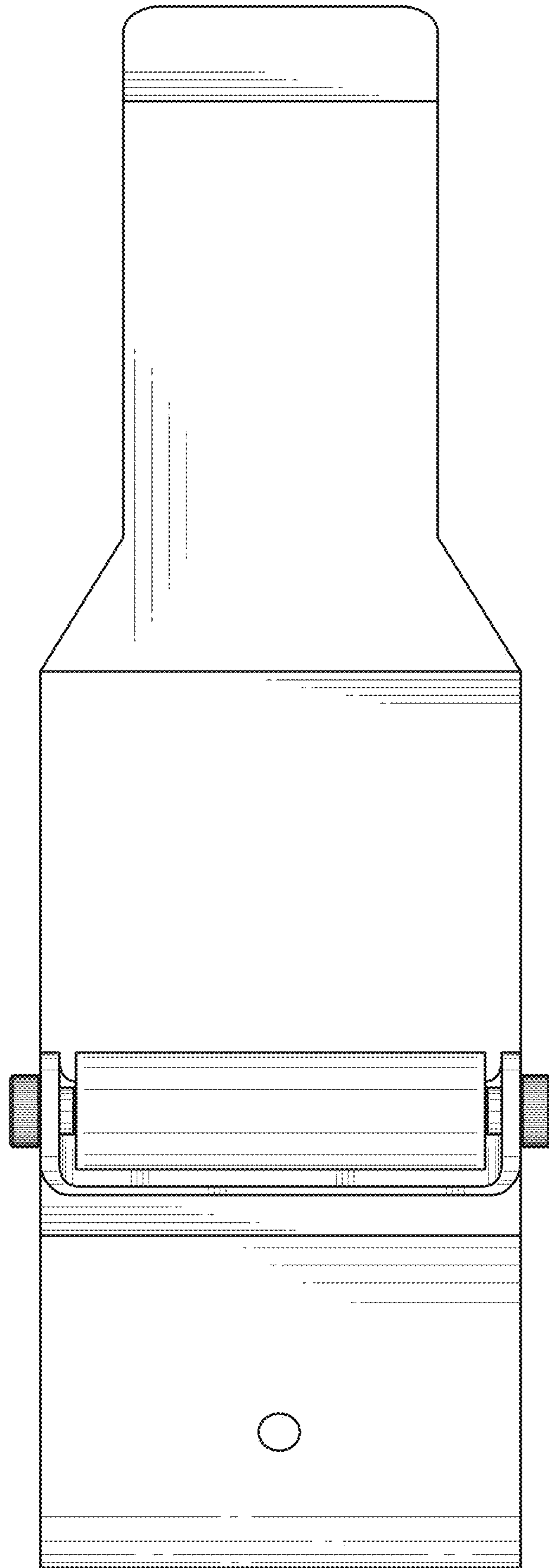


FIG. 14