



US00D911658S

(12) **United States Design Patent** (10) **Patent No.:** **US D911,658 S**
de Vos et al. (45) **Date of Patent:** **** Feb. 23, 2021**

(54) **WIPER TRANSPORT SYSTEM FOR POULTRY PARTS**

(71) Applicant: **Meyn Food Processing Technology B.V.**, Oostzaan (NL)

(72) Inventors: **Ferdinand Allard de Vos**, Oostzaan (NL); **Michael George Laurentius Koopman**, Oostzaan (NL)

(73) Assignee: **Meyn Food Processing Technology B.V.**, Oostzaan (NL)

(**) Term: **15 Years**

(21) Appl. No.: **29/701,054**

(22) Filed: **Aug. 8, 2019**

(30) **Foreign Application Priority Data**

Feb. 13, 2019 (EM) 006243135

(51) **LOC (13) Cl.** **12-05**

(52) **U.S. Cl.**
USPC **D34/28**

(58) **Field of Classification Search**
USPC D34/1, 2, 3, 4, 5, 6, 7, 8, 9, 10, 11, 23, D34/24, 25, 26, 27, 28; D8/10
CPC E01H 5/061; E01H 5/06; B65G 45/12; B65G 45/16
See application file for complete search history.

(56) **References Cited**

U.S. PATENT DOCUMENTS

D296,429 S * 6/1988 Wortman D12/181
D361,482 S * 8/1995 Fugal D8/10
5,704,672 A * 1/1998 Sims A01B 1/026
16/400
5,802,662 A * 9/1998 Veazie, III B60S 1/38
15/250.48
D710,564 S * 8/2014 Yang D34/35

D740,514 S * 10/2015 Peterson D34/35
9,333,639 B2 * 5/2016 Thresher B25G 1/06
D824,962 S * 8/2018 Winter D15/11
D853,071 S * 7/2019 Grimm B65G 45/12
D34/29
D857,019 S * 8/2019 Mecchella D14/434
D862,181 S * 10/2019 Swanger D8/10
D871,417 S * 12/2019 Kim D14/447

(Continued)

Primary Examiner — George A Bugg

Assistant Examiner — Tamara L Hahn

(74) *Attorney, Agent, or Firm* — Walter Haverfield LLP; Sean F. Mellino

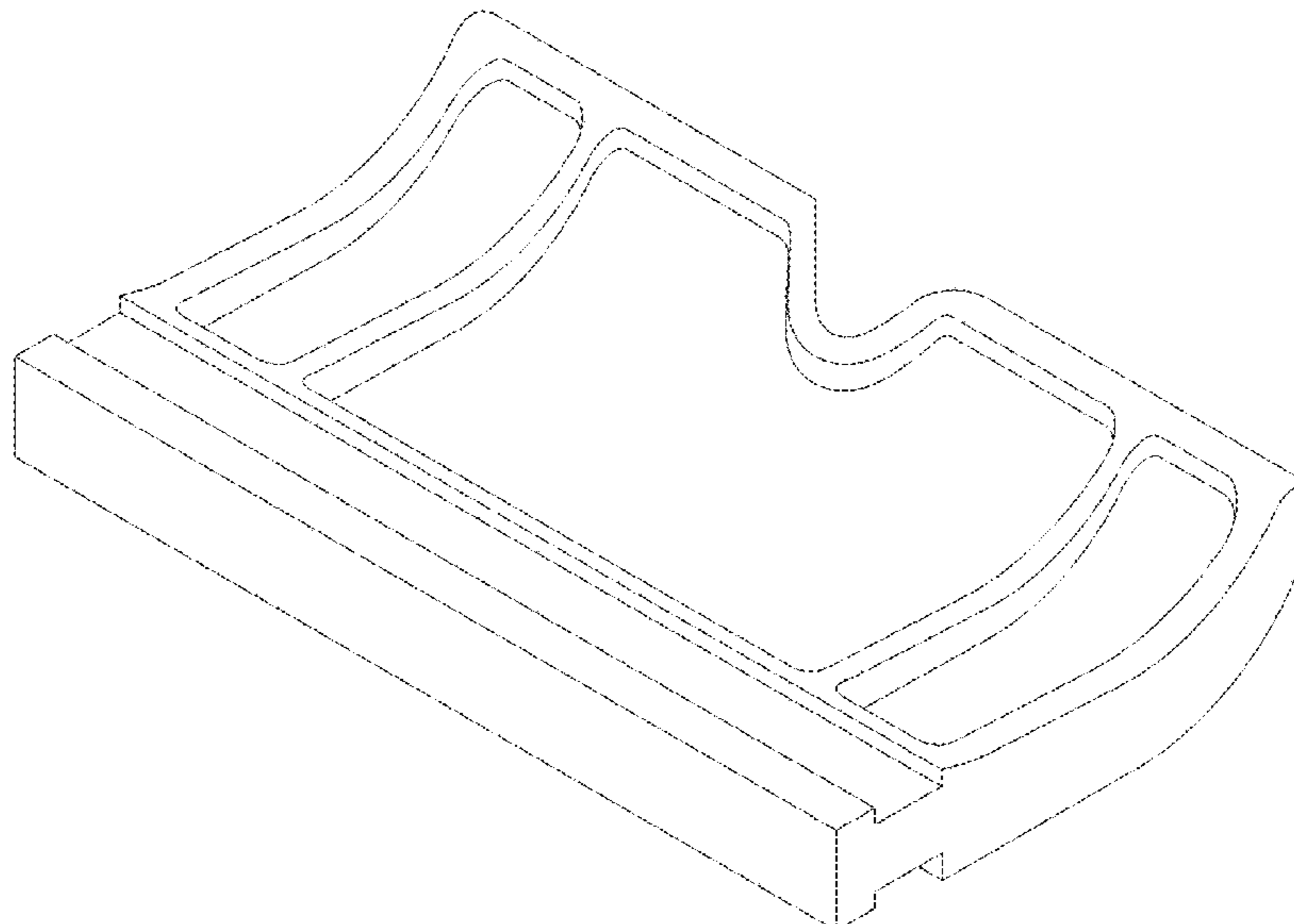
(57) **CLAIM**

The ornamental design for a wiper transport system for poultry parts, as shown and described.

DESCRIPTION

FIG. 1 is a top perspective view of a wiper transport system for poultry parts;
FIG. 2 is a bottom perspective of the design as shown in FIG. 1;
FIG. 3 is a side view of the design as shown in FIG. 1;
FIG. 4 is a rear view of the design as shown in FIG. 1;
FIG. 5 is a front view of the design as shown in FIG. 1;
FIG. 6 is a top and rear-facing perspective view of the design as shown in FIG. 1;
FIG. 7 is a bottom and front-facing perspective view of the design as shown in FIG. 1;
FIG. 8 is a bottom view of the design as shown in FIG. 1;
FIG. 9 is a top view of the design as shown in FIG. 1;
FIG. 10 is a side view of the design as shown in FIG. 1, as shown from the opposing view as shown in FIG. 3;
FIG. 11 is another bottom perspective view of the design as shown in FIG. 1; and,
FIG. 12 is another top perspective view of the design as shown in FIG. 1.

1 Claim, 12 Drawing Sheets



(56)

References Cited

U.S. PATENT DOCUMENTS

2017/0211250 A1* 7/2017 Hawkins E01H 5/061
2020/0071895 A1* 3/2020 Bolon E01H 5/02

* cited by examiner

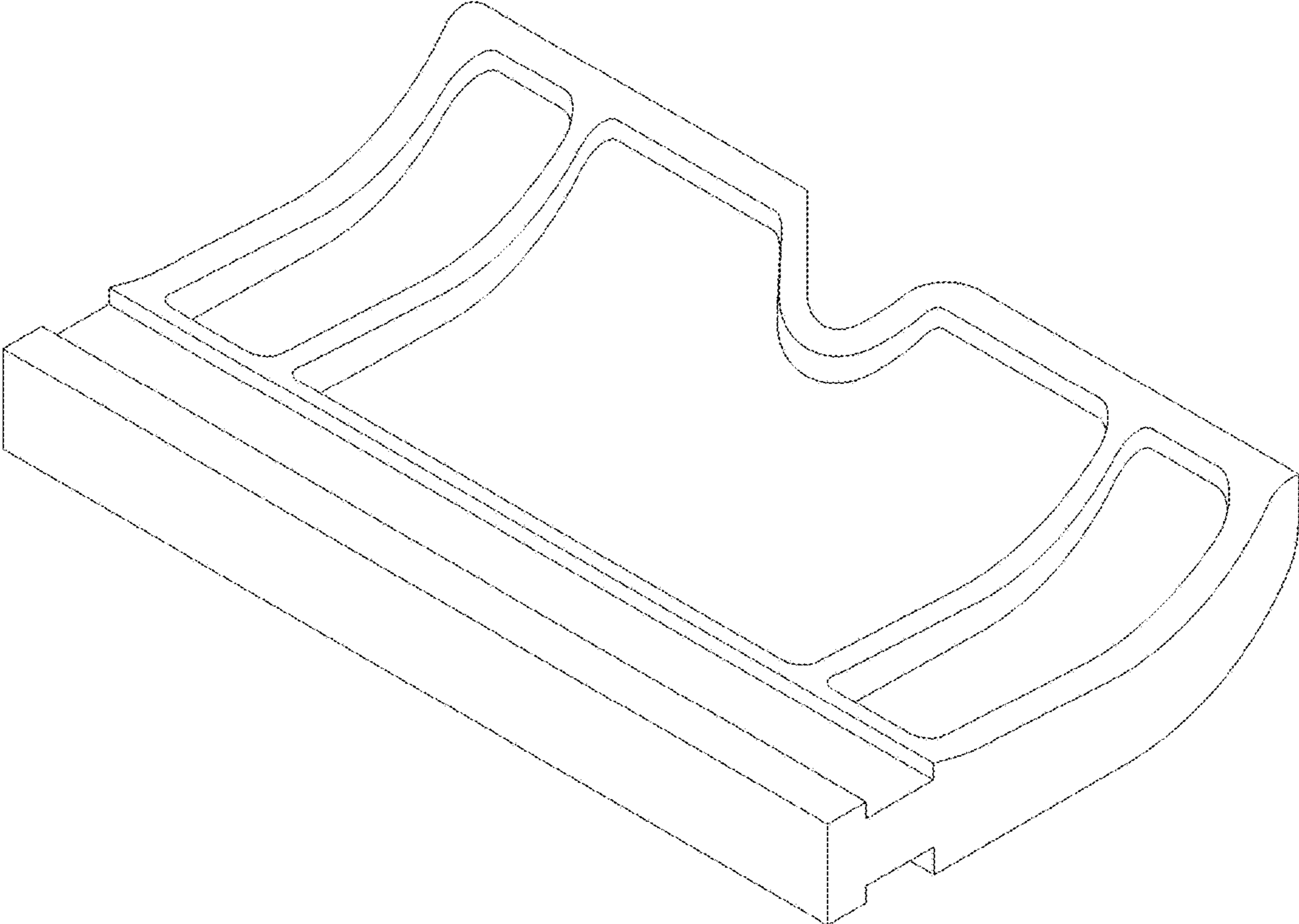


FIG. 1

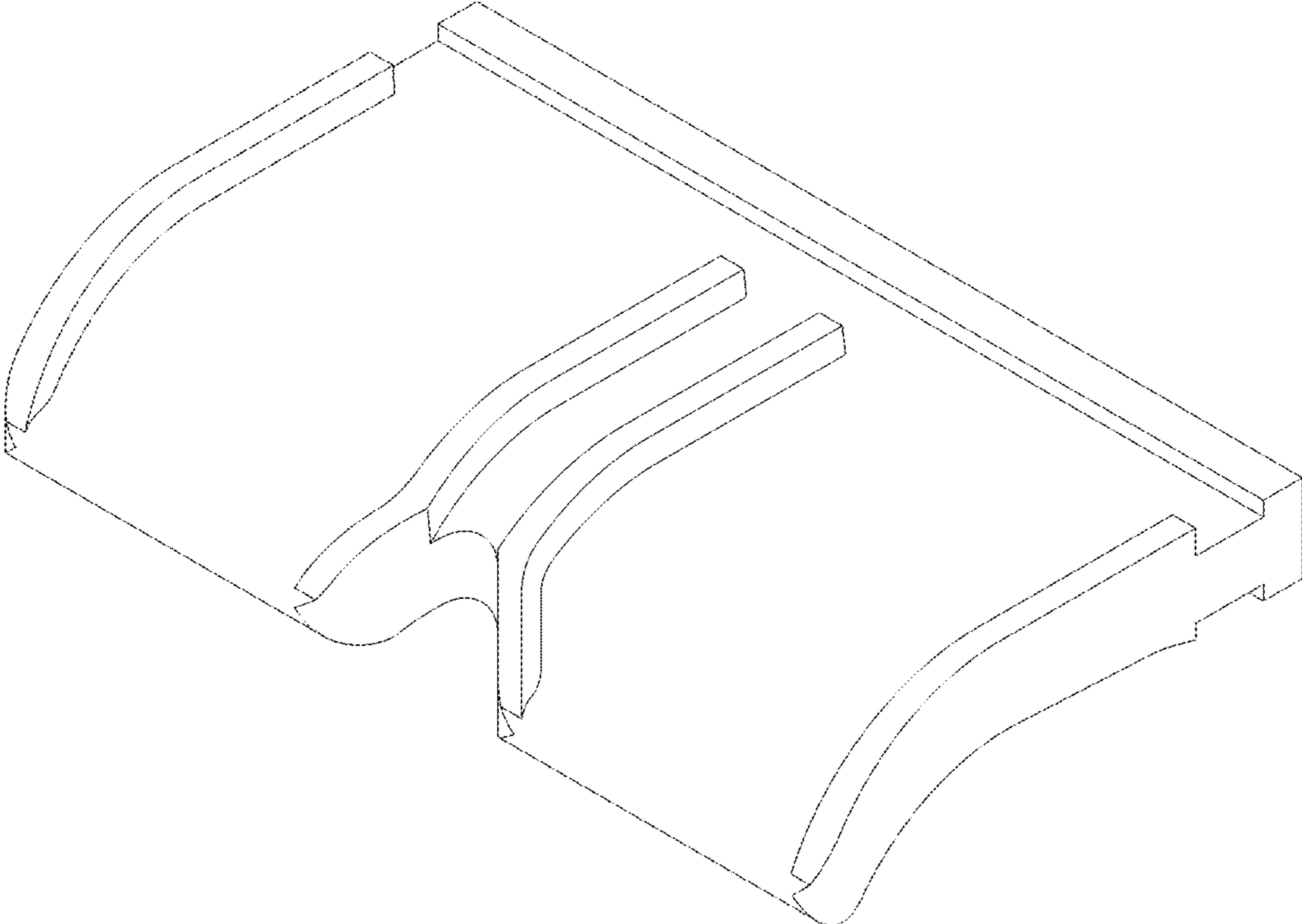


FIG. 2

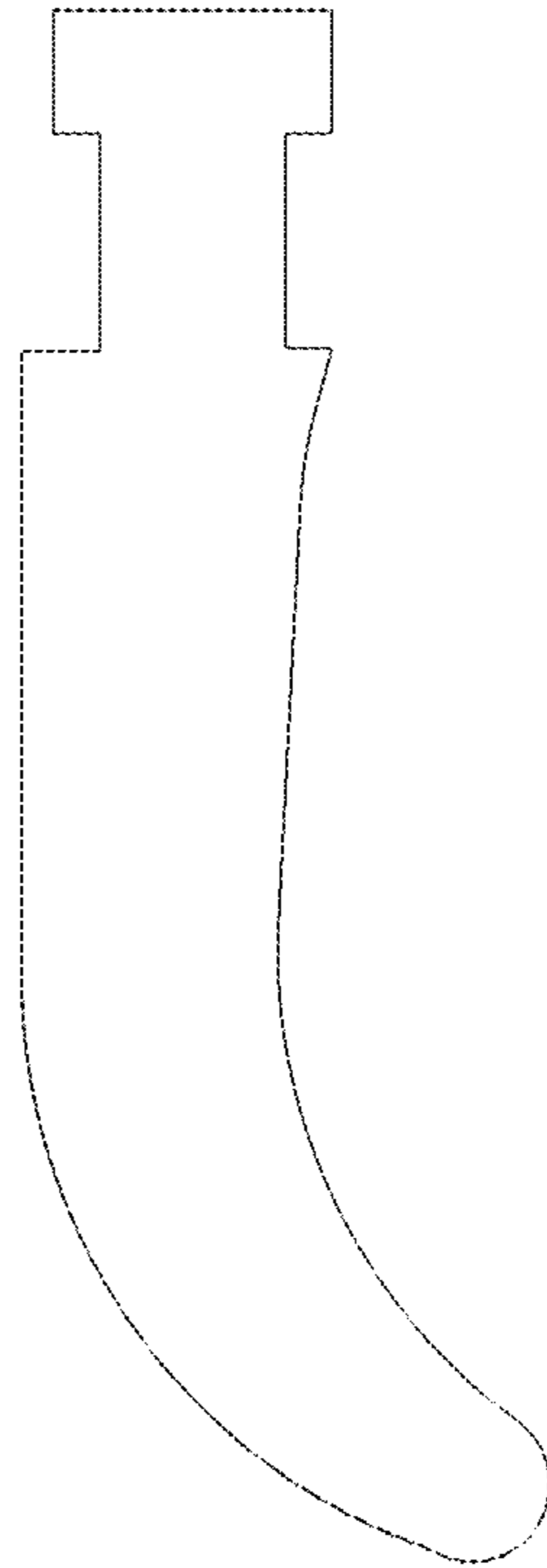


FIG. 3

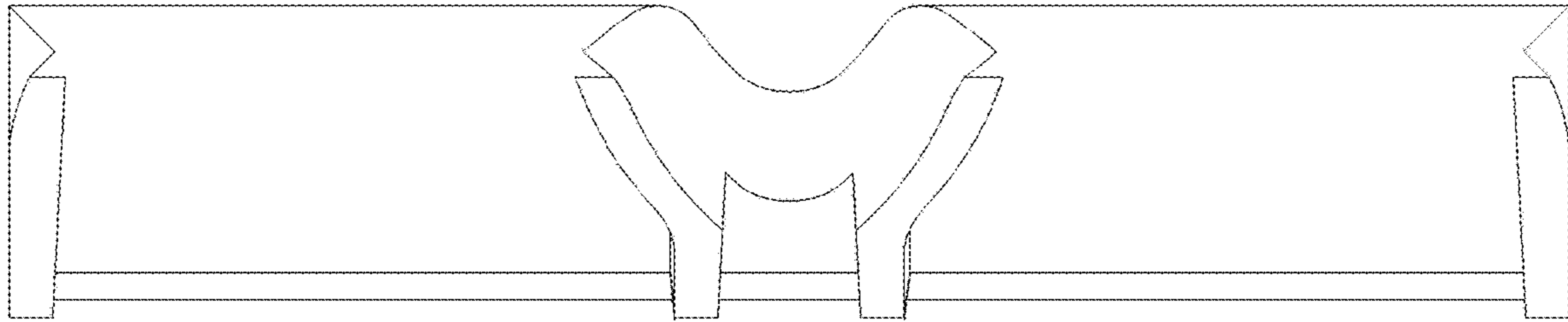


FIG. 4

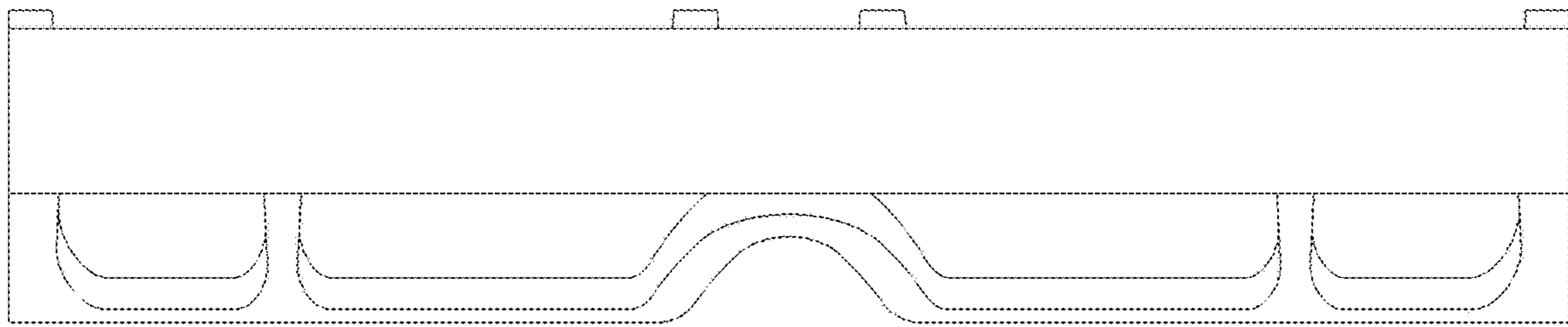


FIG. 5

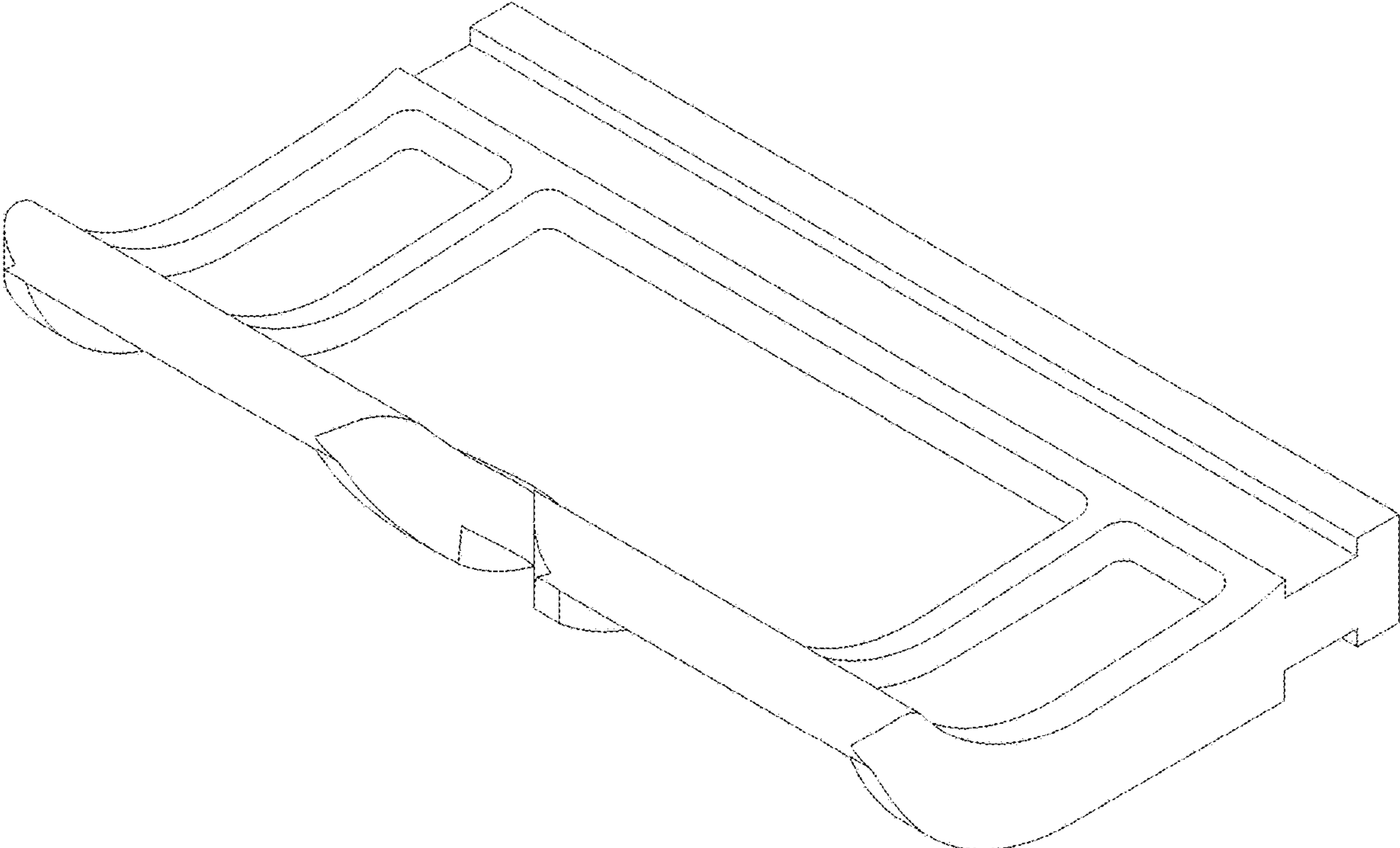


FIG. 6

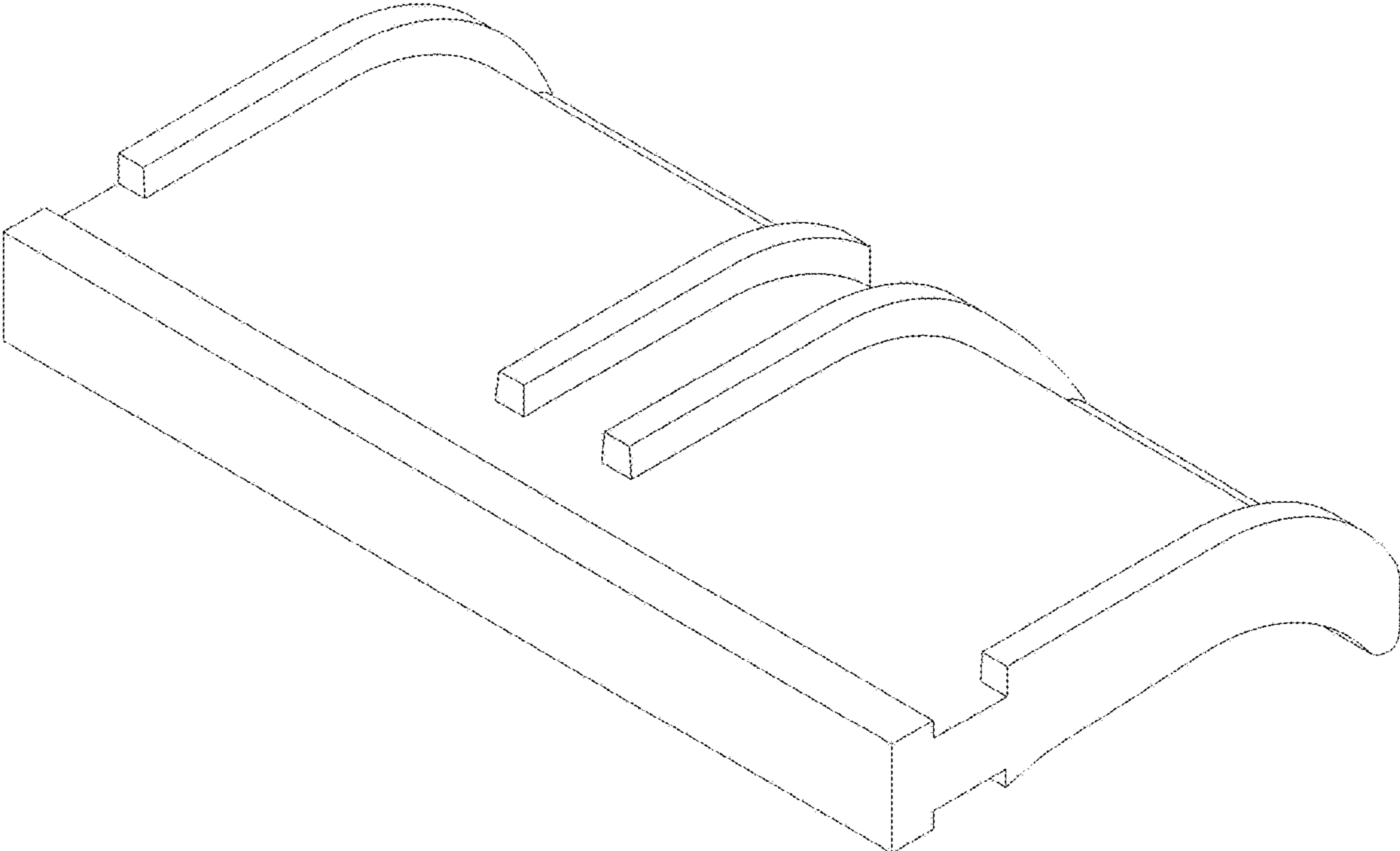


FIG. 7

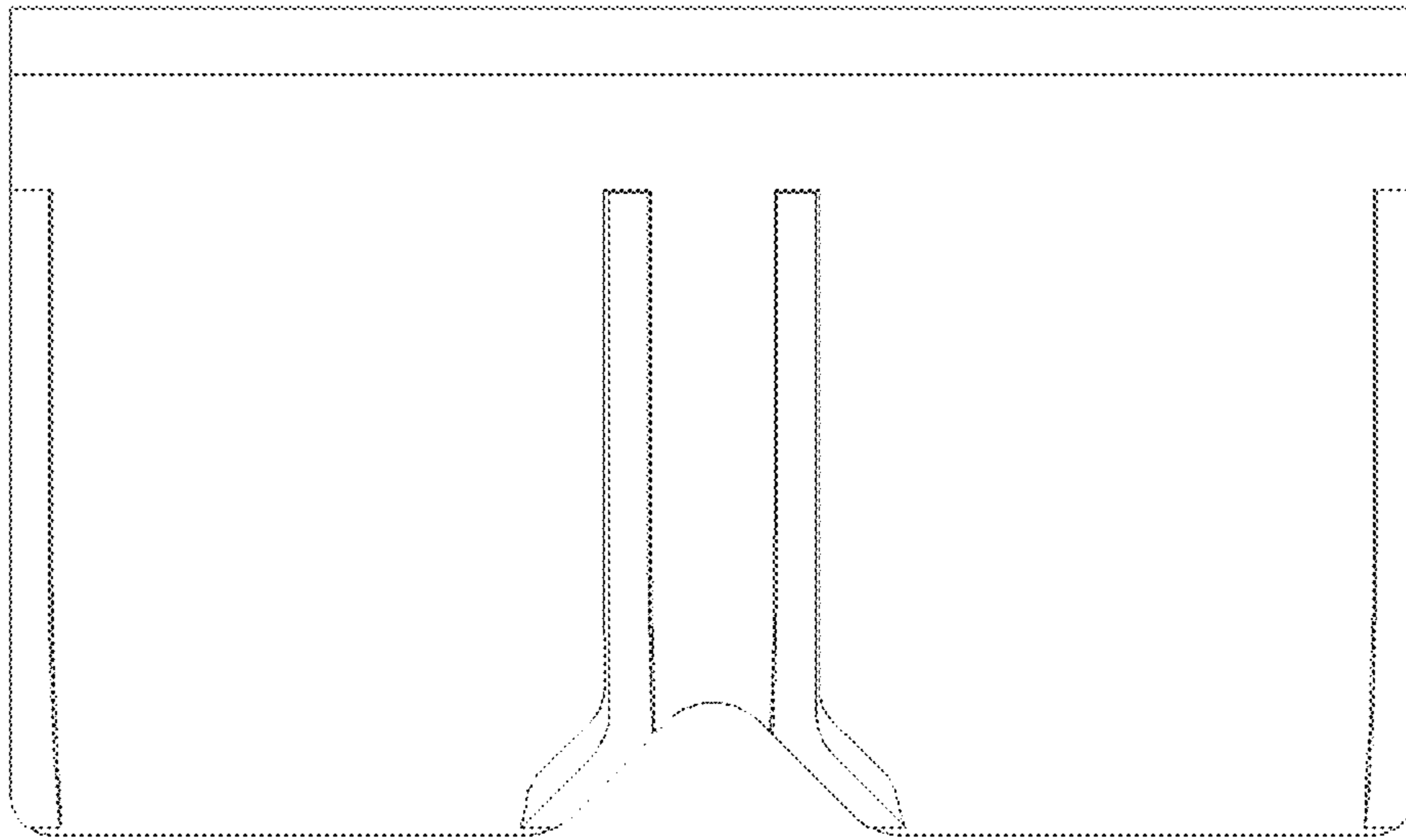


FIG. 8

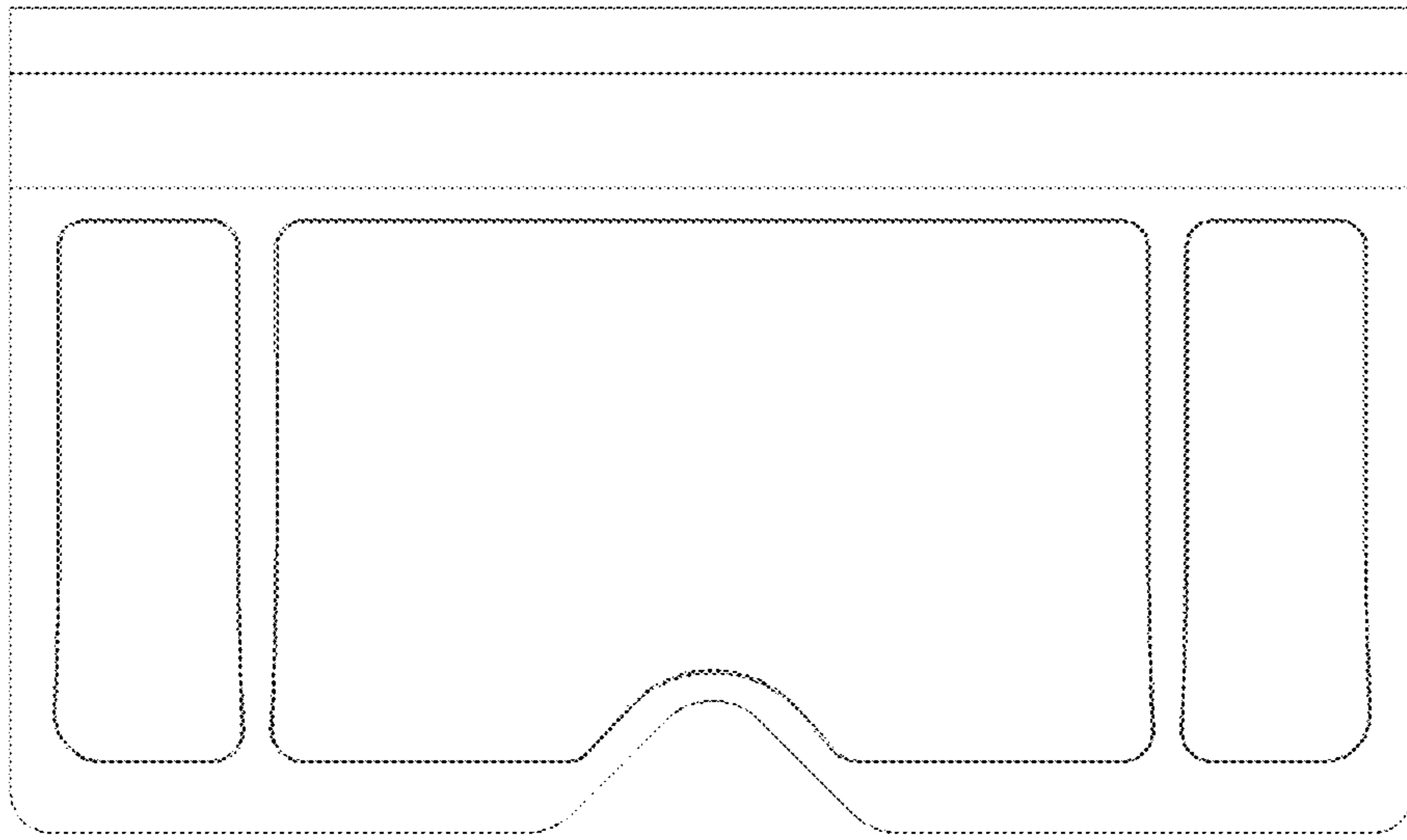


FIG. 9

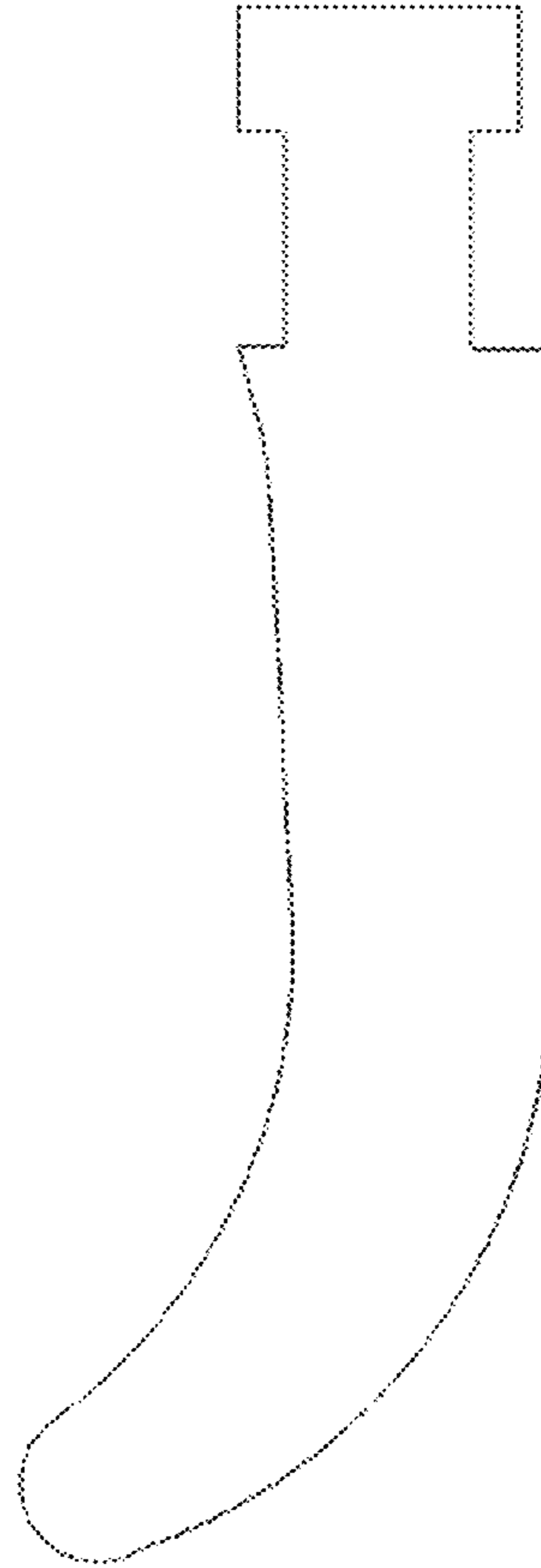


FIG. 10

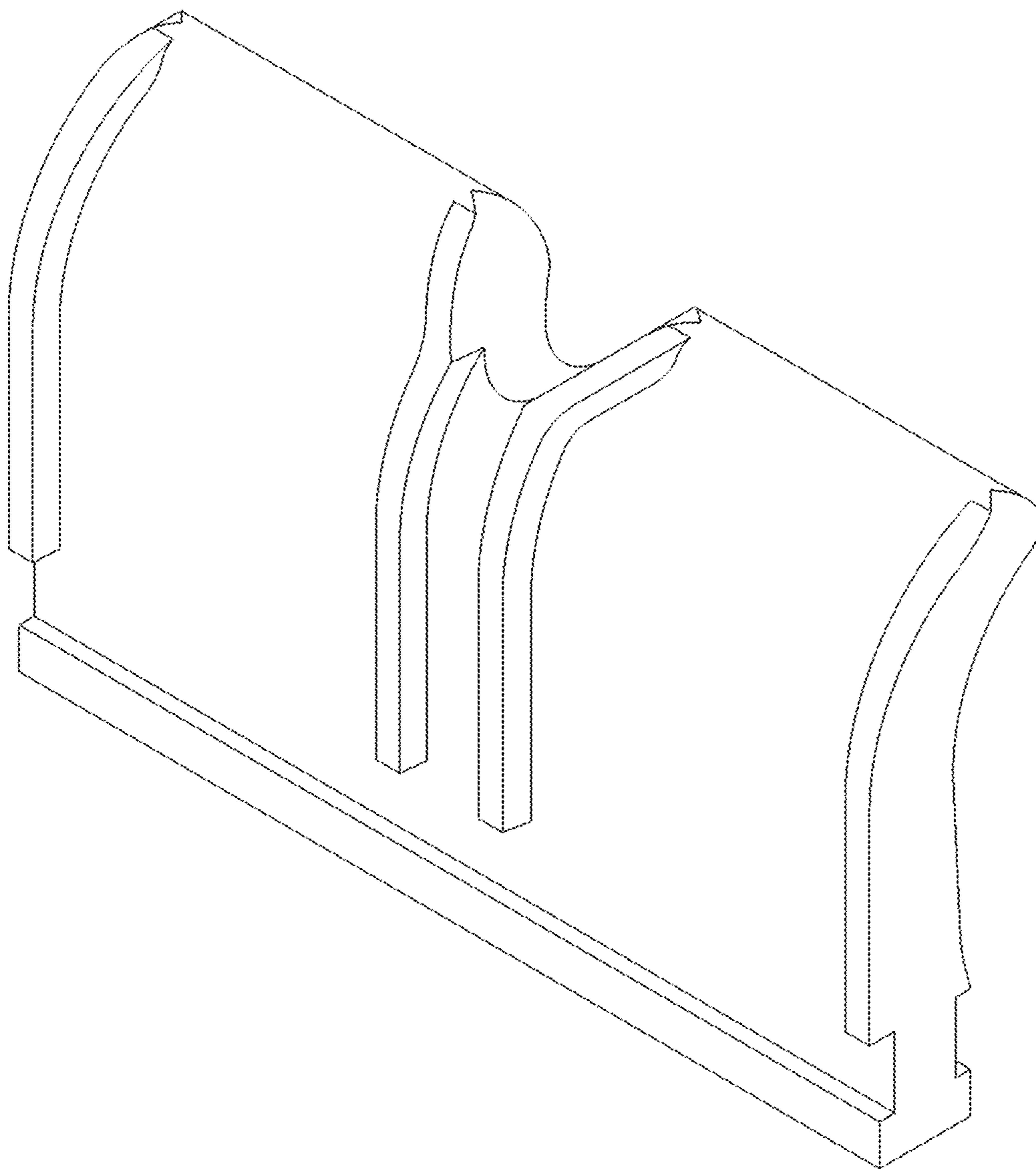


FIG. 11

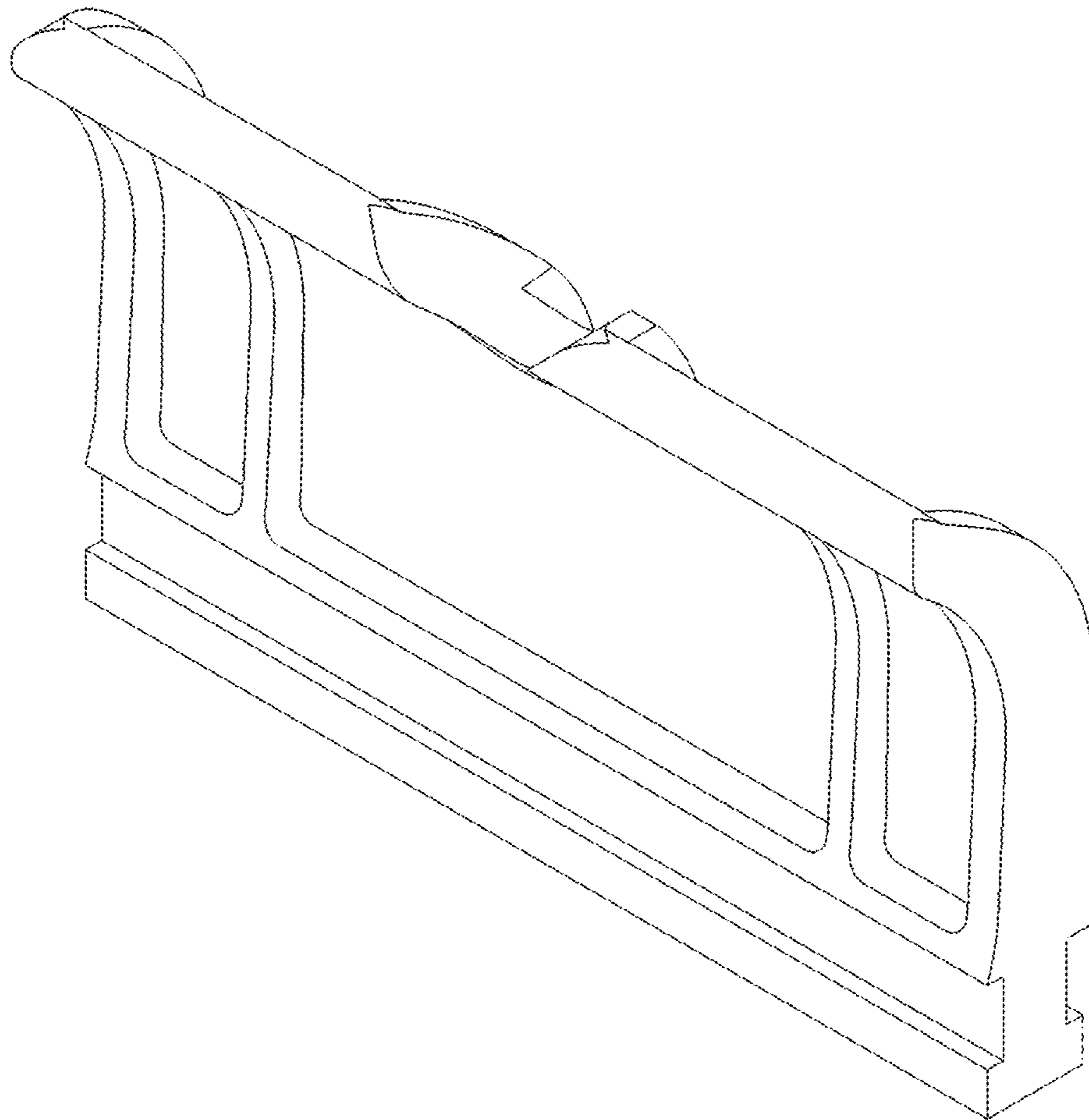


FIG. 12