



US00D911657S

(12) **United States Design Patent**
Yu et al.

(10) **Patent No.:** **US D911,657 S**
(45) **Date of Patent:** **** Feb. 23, 2021**

- (54) **EXTENDABLE GATE FOR A TROLLEY**
- (71) Applicant: **Zhuhai Shichang Metals Ltd., Zhuhai (CN)**
- (72) Inventors: **Hai Yu, Zhuhai (CN); Che-Jen Wang, Zhuhai (CN)**
- (73) Assignee: **Zhuhai Shichang Metals Ltd., Zhuhai (CN)**
- (**) Term: **15 Years**
- (21) Appl. No.: **29/718,885**
- (22) Filed: **Dec. 30, 2019**
- (51) **LOC (13) Cl.** **12-02**
- (52) **U.S. Cl.**
USPC **D34/27**
- (58) **Field of Classification Search**
USPC D34/12-28
CPC .. B62B 1/00; B62B 1/008; B62B 1/12; B62B 3/002; B62B 3/006; B62B 3/02; B62B 3/10; B62B 3/108; B62B 3/022; B62B 5/0083; B62B 2202/20; B62B 2202/07
See application file for complete search history.

- 2010/0096820 A1* 4/2010 Hailston B62B 3/0618
280/47.11
- 2016/0236700 A1* 8/2016 Riha B62B 3/02
- 2019/0084602 A1* 3/2019 Ribbe B62B 3/005
- 2019/0092363 A1* 3/2019 Ostergaard B62B 3/008
(Continued)

OTHER PUBLICATIONS

Uline Railing, announced 2020 [online], [site visited Dec. 3, 2020]. Available from internet, URL: <https://www.uline.ca/Product/Detail/H-4976/Safety-Guards-Barriers/Safety-Railing-Steel-4> (Year: 2020).*

Primary Examiner — George A Bugg
Assistant Examiner — Tamara L Hahn
(74) *Attorney, Agent, or Firm* — Luedeka Neely Group, P.C.

(57) **CLAIM**

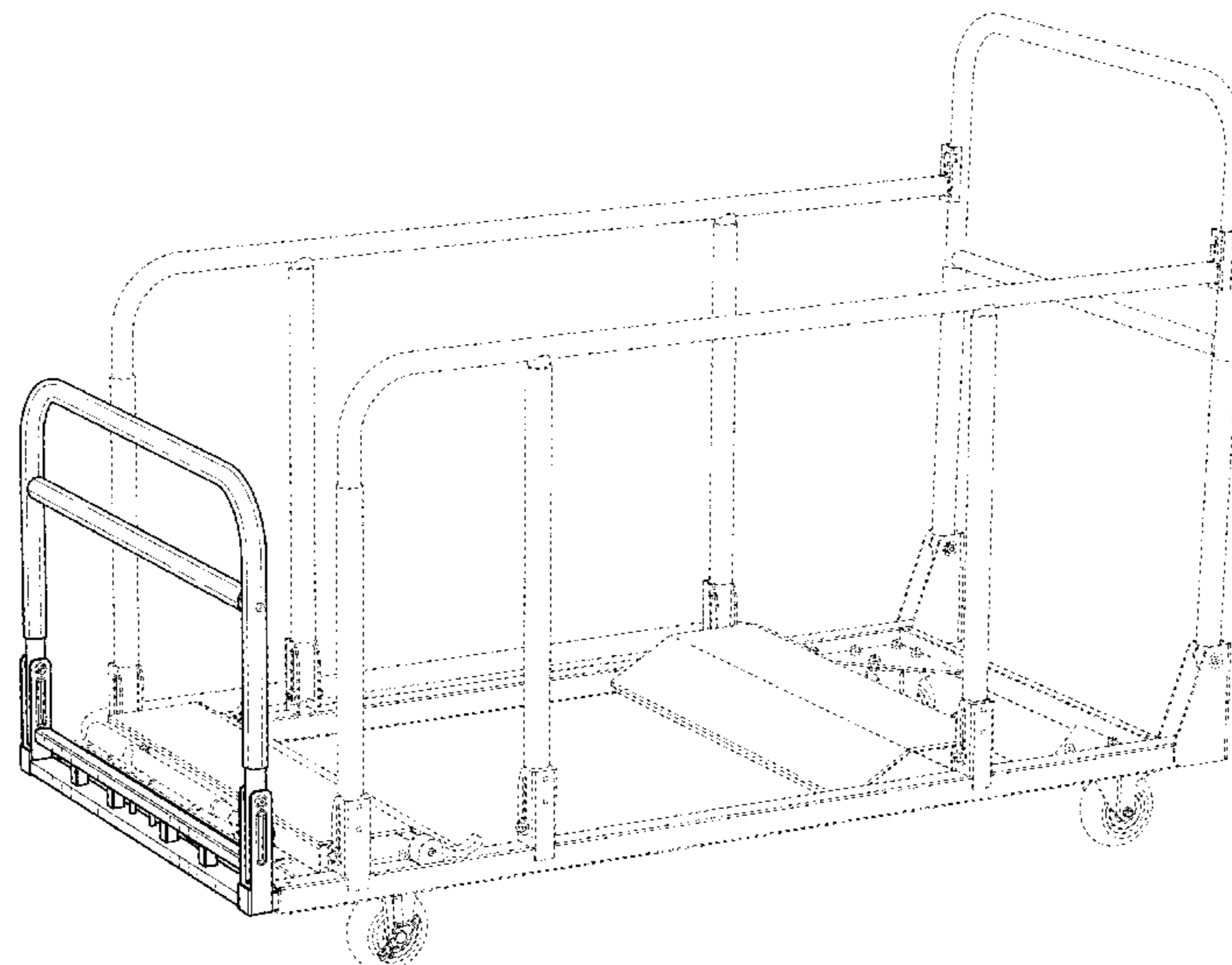
The ornamental design for an extendable gate for a trolley, as shown and described.

DESCRIPTION

FIG. 1 is a front upper perspective view of an extendable gate for a trolley showing our new design; FIG. 2 is a left side view of thereof; FIG. 3 is a right side view thereof; FIG. 4 is a front end view thereof; FIG. 5 is a rear end view thereof; FIG. 6 is a top view thereof; FIG. 7 is a bottom view thereof; FIG. 8 is an upper perspective view showing an extendable gate for a trolley in an alternate position; FIG. 9 is a left side view of FIG. 1 partly extended rom the retracted position; and, FIG. 10 is a left side view of FIG. 1 fully extended rom the retracted position. The broken lines in the drawings depict environment and form no part of the claimed design.

1 Claim, 9 Drawing Sheets

- (56) **References Cited**
U.S. PATENT DOCUMENTS
- 5,228,716 A * 7/1993 Dahl B62B 1/002
280/47.18
- D520,707 S * 5/2006 Phillips, II D34/19
- 7,219,905 B1 * 5/2007 Wilson B62B 3/02
280/79.3
- 7,784,816 B2 * 8/2010 Jian B62B 3/02
280/651
- 9,908,548 B1 3/2018 Yu et al.
- 10,150,492 B2 12/2018 Yu et al.
- D842,575 S 3/2019 Yu et al.
- D855,921 S 8/2019 Yu et al.
- D893,822 S * 8/2020 Ohirko D34/17
- 2007/0216116 A1 * 9/2007 Gallea B62B 3/02
280/47.36



(56)

References Cited

U.S. PATENT DOCUMENTS

2020/0148465 A1* 5/2020 Panu B01L 1/50
2020/0307665 A1* 10/2020 Su B62B 1/002
2020/0346677 A1* 11/2020 Yu B62B 3/108

* cited by examiner

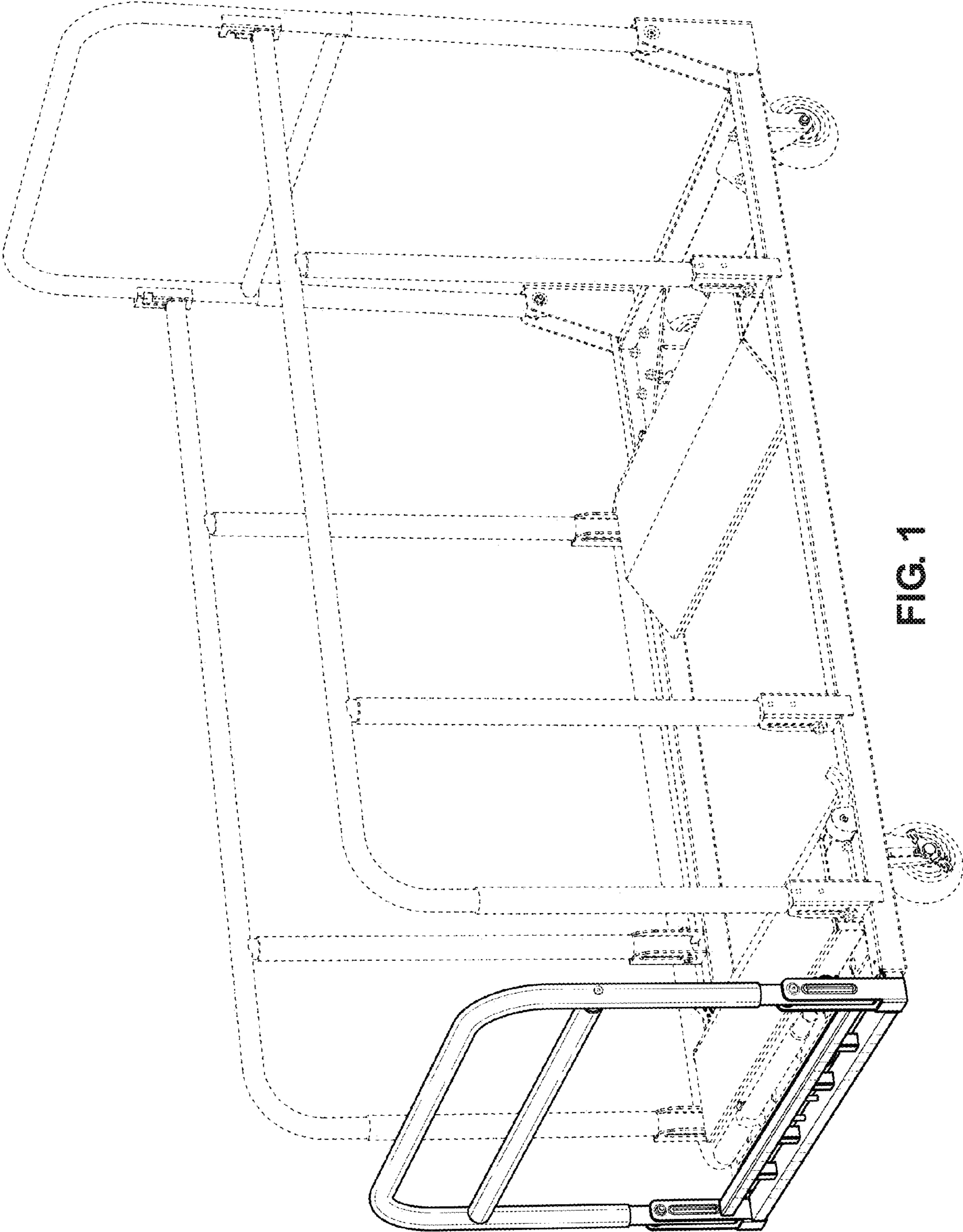


FIG. 1

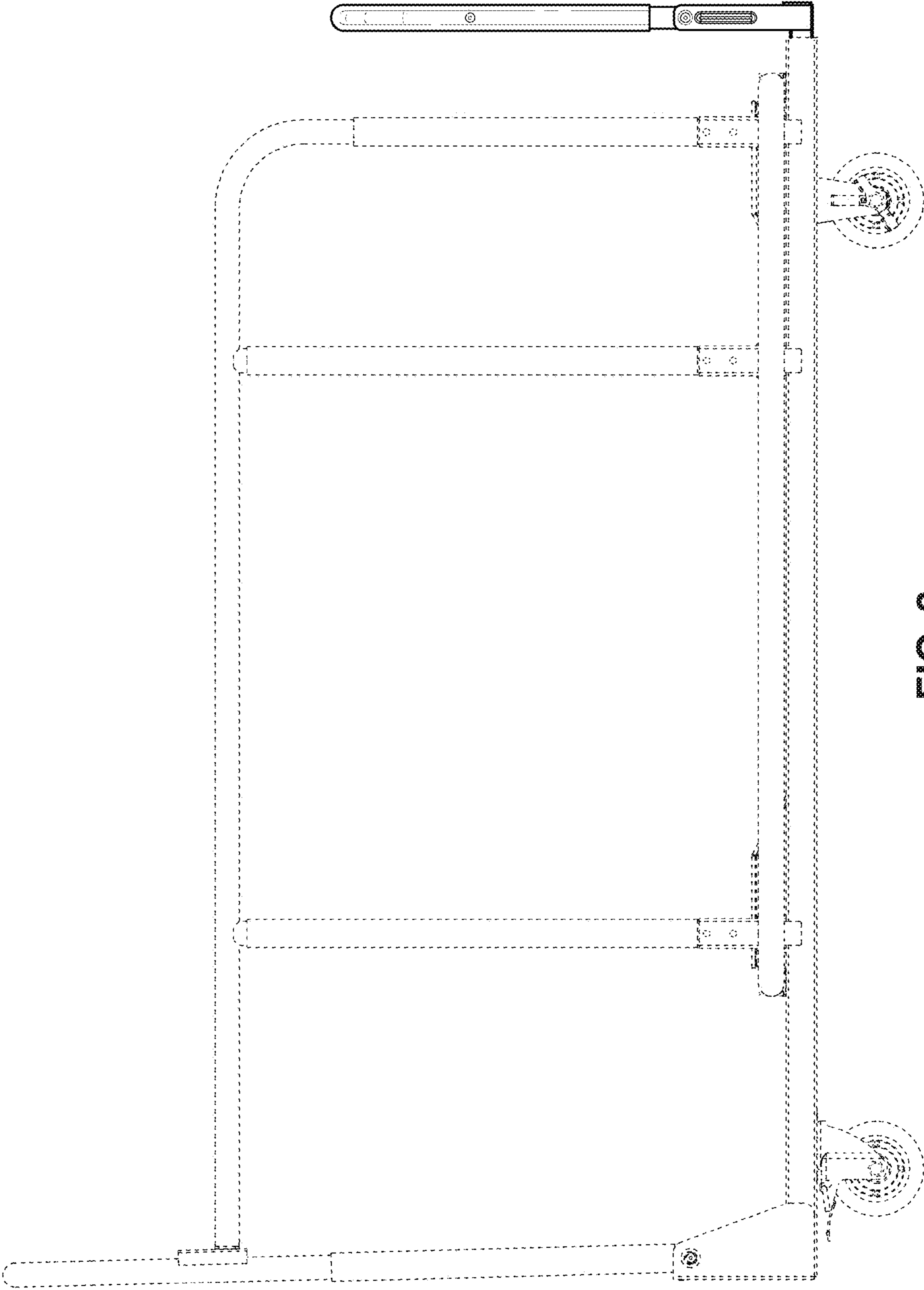


FIG. 2

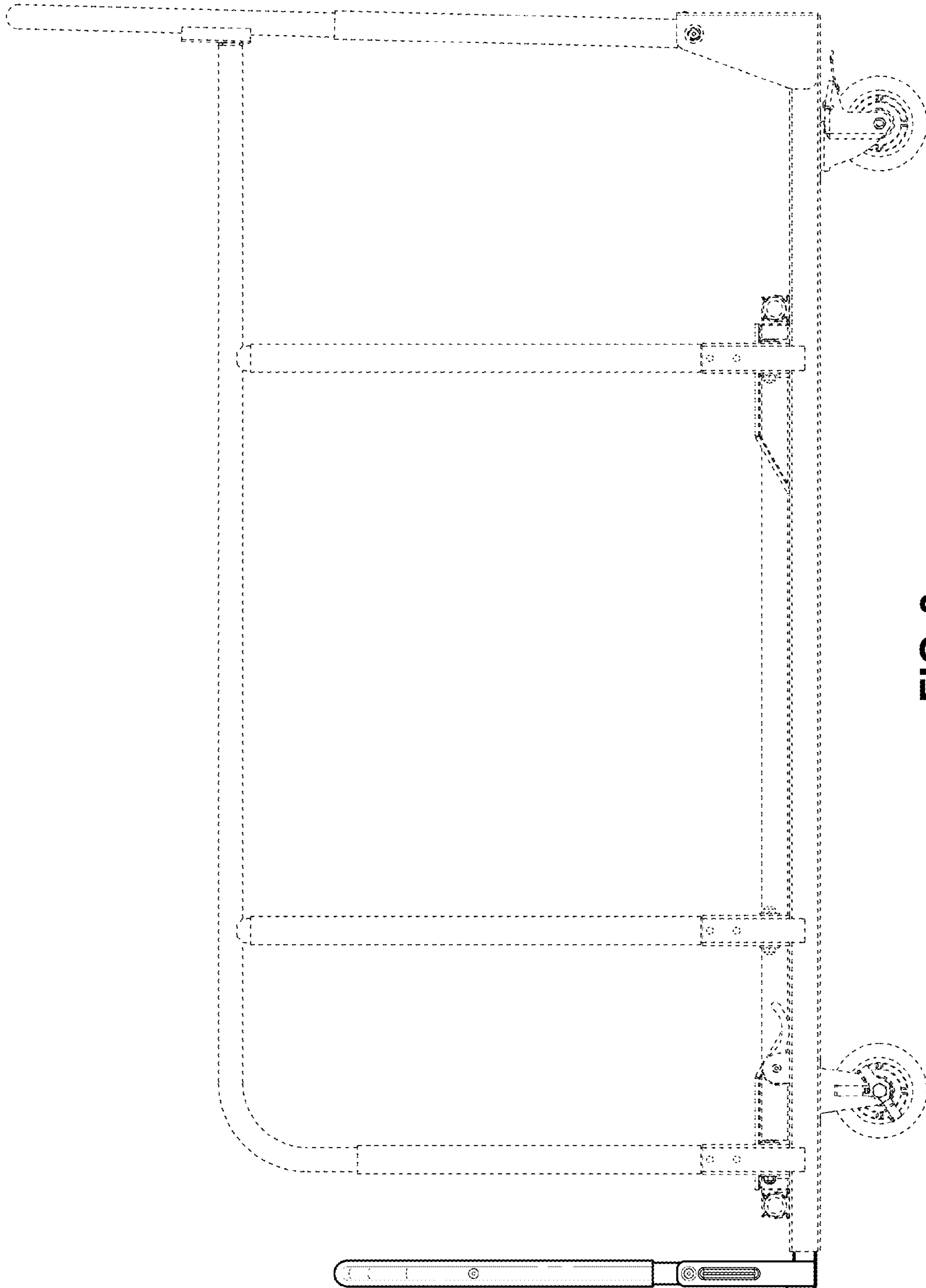


FIG. 3

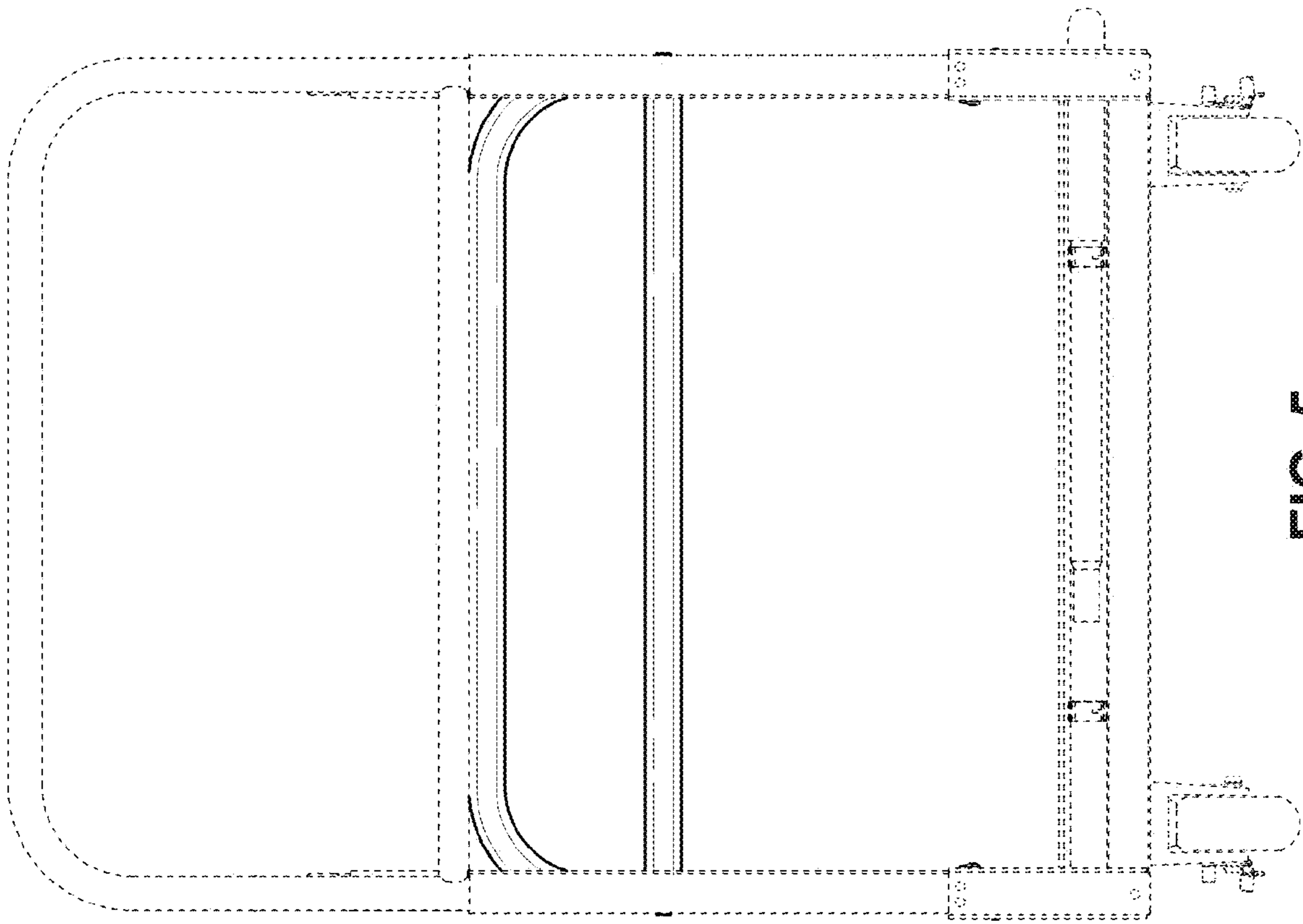


FIG. 5

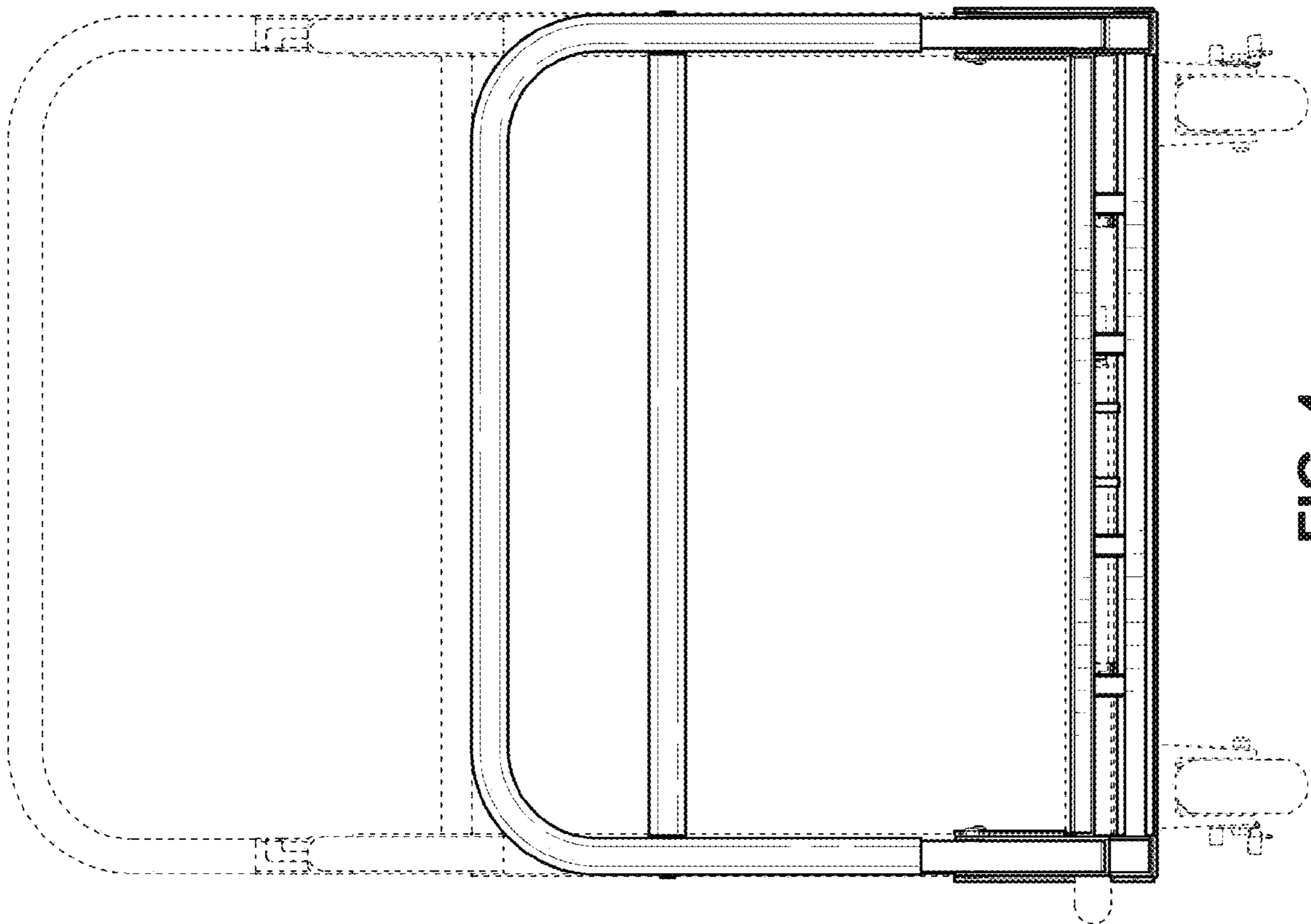


FIG. 4

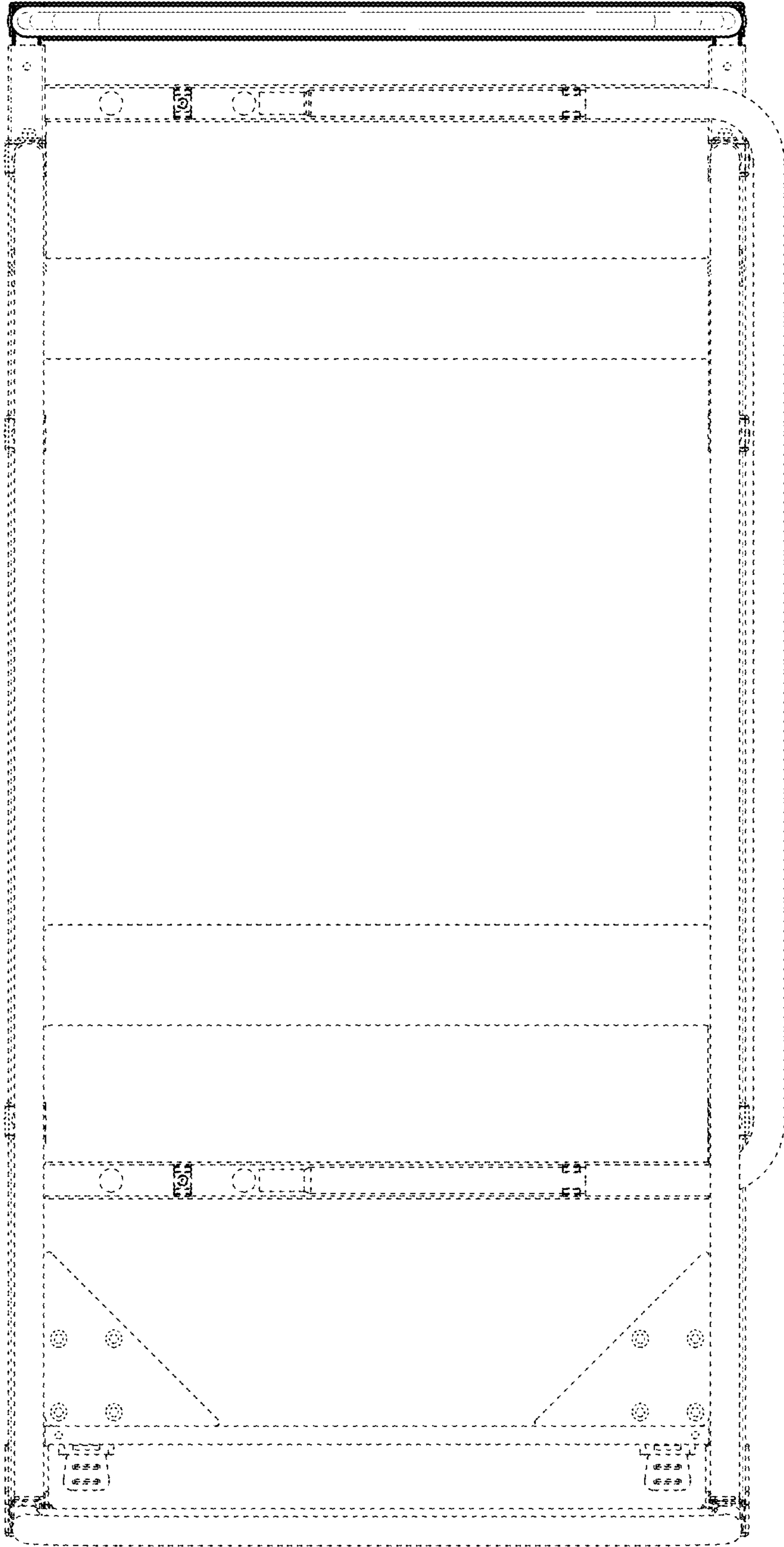


FIG. 6

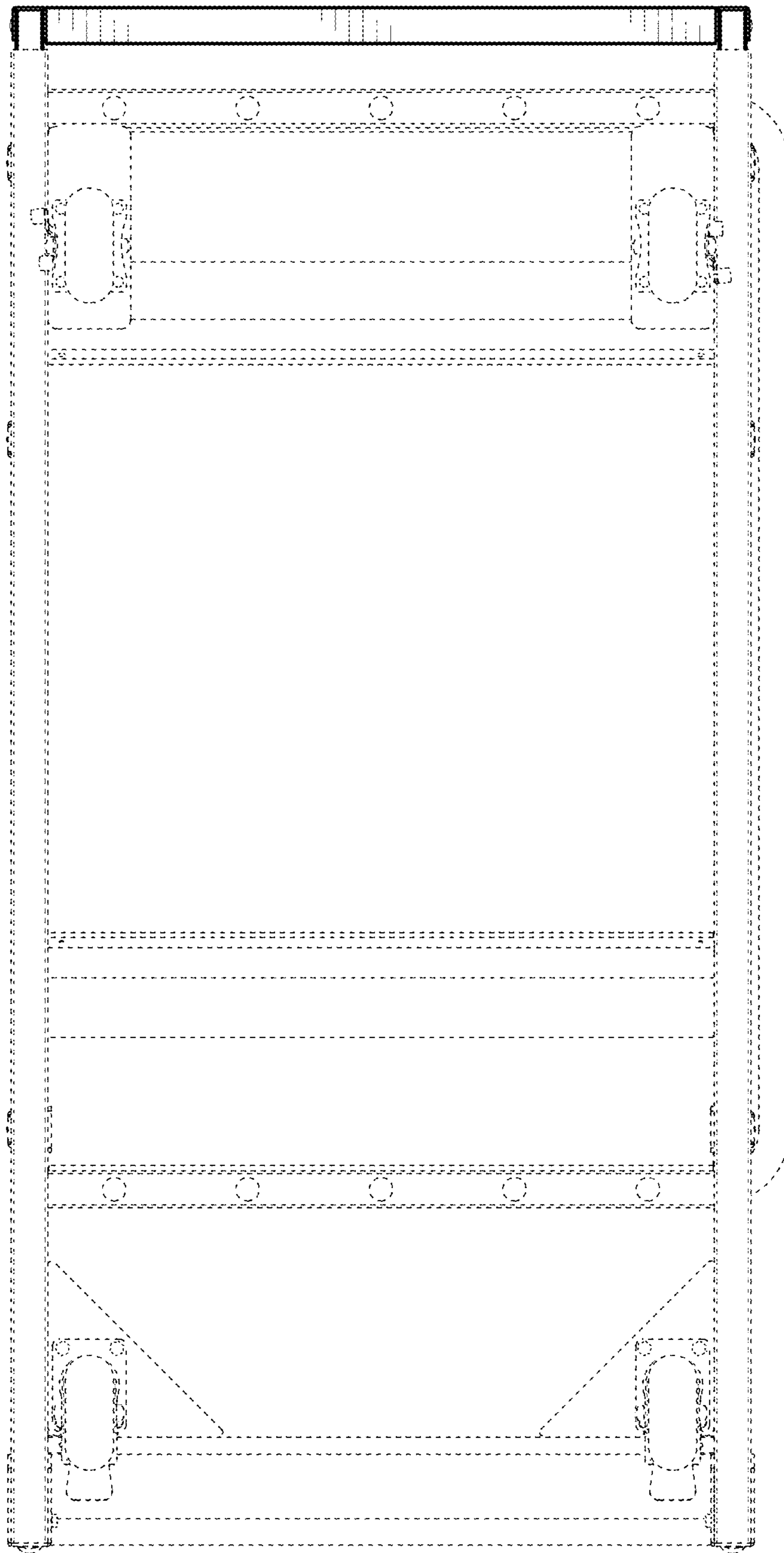


FIG. 7

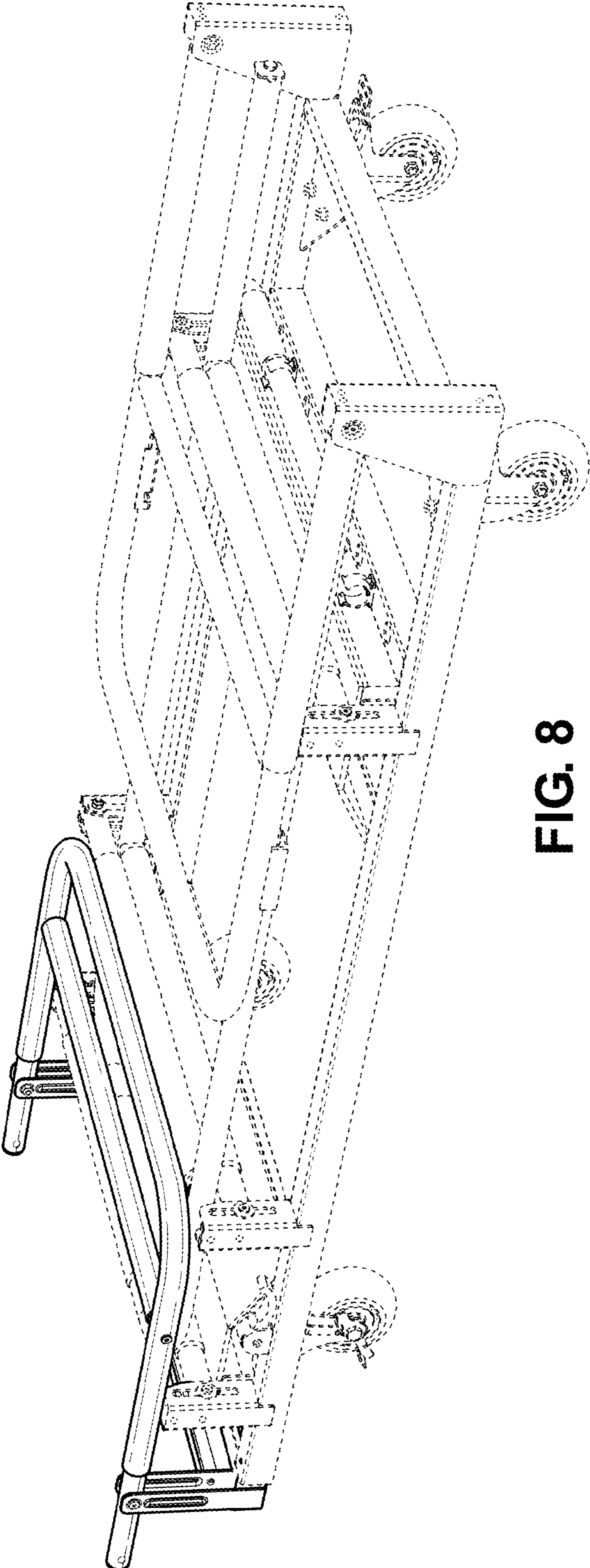


FIG. 8

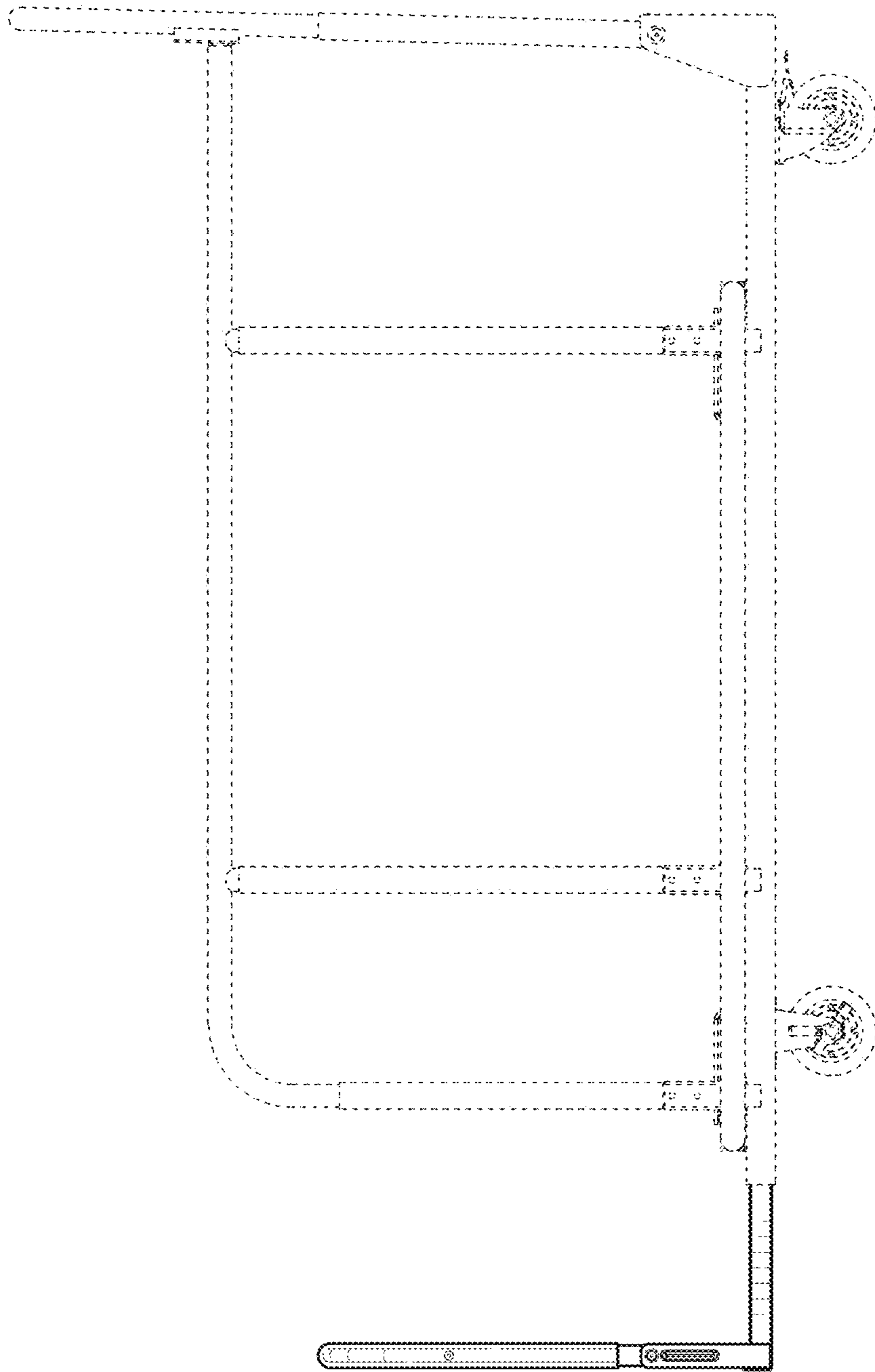


FIG. 9

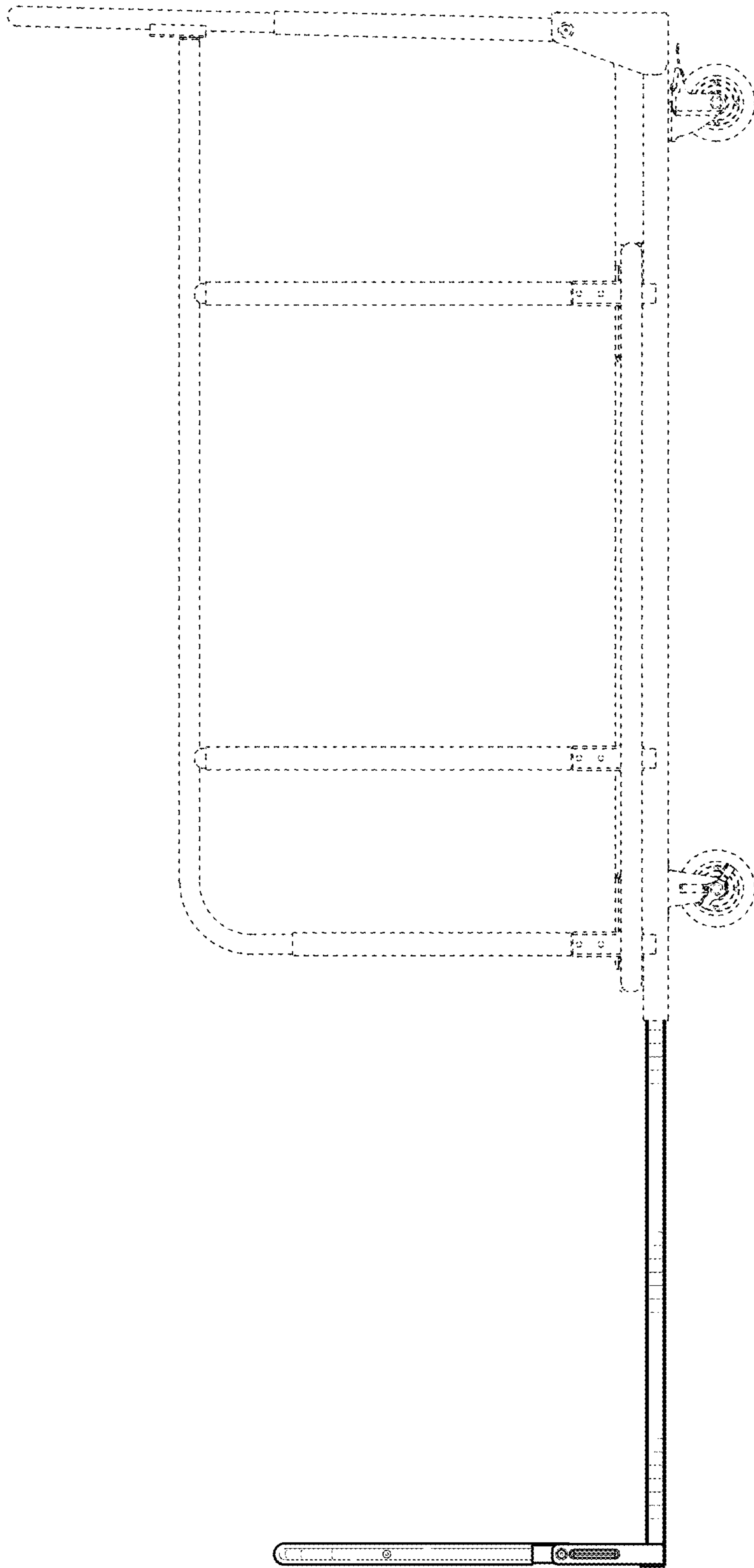


FIG. 10