



US00D911654S

(12) **United States Design Patent**
Yu et al.

(10) **Patent No.:** **US D911,654 S**
(45) **Date of Patent:** **** Feb. 23, 2021**

(54) **FOLDABLE TROLLEY WITH EXTENDABLE GATE**

(71) Applicant: **Zhuhai Shichang Metals Ltd., Zhuhai (CN)**

(72) Inventors: **Hai Yu, Zhuhai (CN); Che-Jen Wang, Zhuhai (CN)**

(73) Assignee: **Zhuhai Shichang Metals Ltd., Zhuhai (CN)**

(**) Term: **15 Years**

(21) Appl. No.: **29/718,882**

(22) Filed: **Dec. 30, 2019**

(51) **LOC (13) Cl.** **12-02**

(52) **U.S. Cl.**
USPC **D34/12**

(58) **Field of Classification Search**
USPC D34/12-27
CPC A47B 2031/002; B67D 2210/00133; B62B 7/044; B62B 2205/00; B62B 3/02; B62B 3/022; B62B 5/026; B62B 1/12; B62B 7/12; B62B 1/00; B62B 1/10; B62B 1/264; B62B 1/14; B62B 1/047; B62B 1/04; B62B 3/005; B62B 3/004; B62B 3/027; B62B 3/04

See application file for complete search history.

(56) **References Cited**

U.S. PATENT DOCUMENTS

D198,621 S *	7/1964	Juen	D34/24
D204,753 S *	5/1966	Sheperd	D34/24
D219,581 S *	12/1970	Parsons	D34/24
D223,707 S *	5/1972	Parsons	D34/18
D266,367 S *	9/1982	Marini	D34/24
D347,125 S *	5/1994	Brunel	D34/17
D424,266 S *	5/2000	McIntyre	D34/12
D685,154 S *	6/2013	Ambrefe, Jr.	D34/12

D767,231 S *	9/2016	Blitzer	D34/27
9,908,548 B1	3/2018	Yu et al.		
10,150,492 B2	12/2018	Yu et al.		
D842,575 S *	3/2019	Yu	D34/12
D855,921 S *	8/2019	Yu	B62B 3/108
				D34/12
D877,442 S *	3/2020	Ohirko	D34/17
2015/0035258 A1 *	2/2015	Chen	B62B 3/007
				280/651
2017/0015340 A1 *	1/2017	Fitzwater	B62B 3/02
2018/0154916 A1 *	6/2018	Yu	B62B 3/04
2020/0346677 A1 *	11/2020	Yu	B62B 3/108

* cited by examiner

Primary Examiner — Cynthia Ramirez

(74) *Attorney, Agent, or Firm* — Luedeka Neely Group, P.C.

(57) **CLAIM**

The ornamental design for a foldable trolley with extendable gate, as shown and described.

DESCRIPTION

FIG. 1 is a front upper perspective view of a foldable trolley with extendable gate showing my new design, with the extendable gate in a retracted position and upright orientation.

FIG. 2 is a left side view of the trolley.

FIG. 3 is a right side view of the trolley.

FIG. 4 is a front end view of the trolley.

FIG. 5 is a rear end view of the trolley.

FIG. 6 is a top view of the trolley.

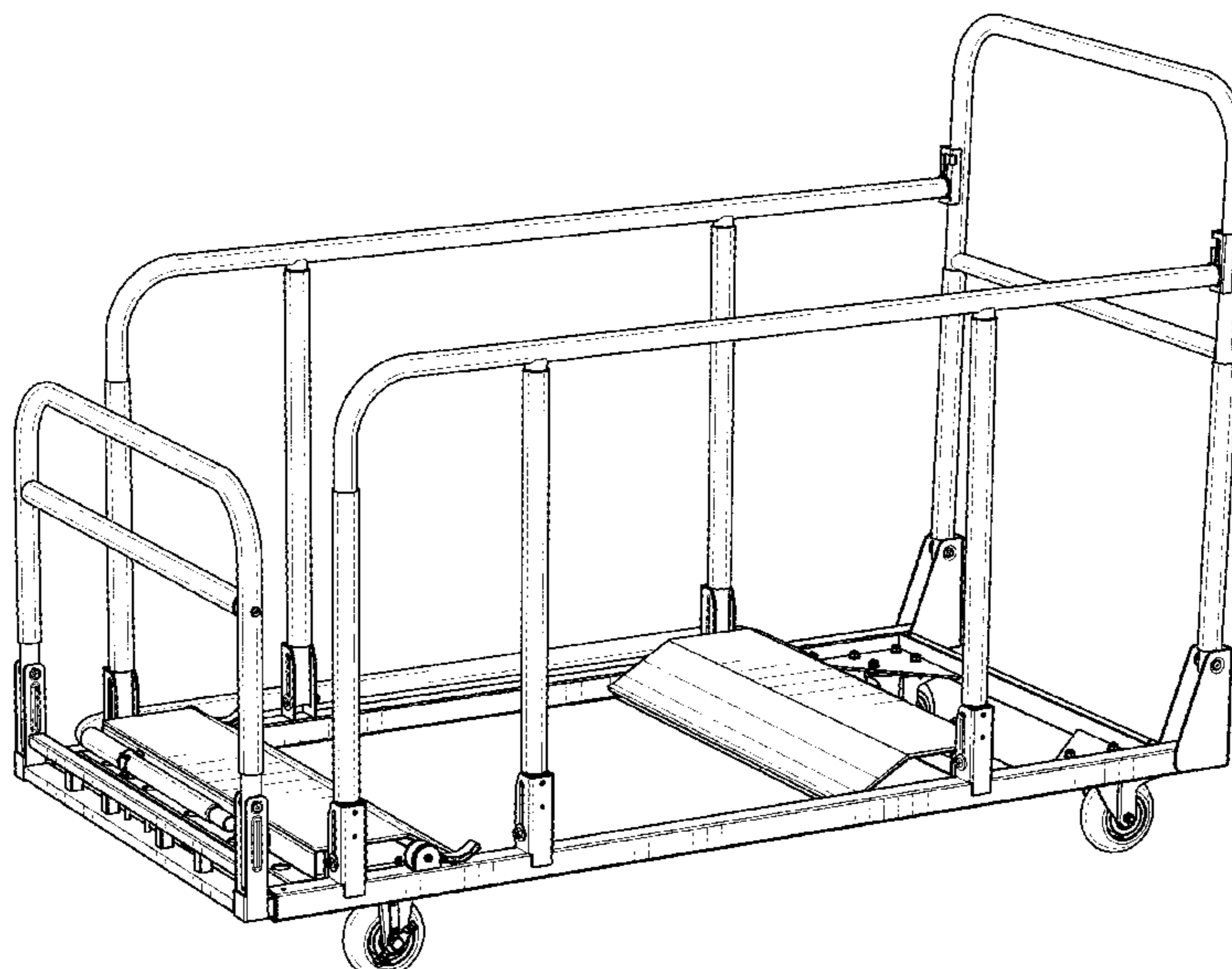
FIG. 7 is a bottom view of the trolley.

FIG. 8 is an upper perspective view showing the trolley folded.

FIG. 9 a left side view of the trolley but with the gate partly extended from the retracted position; and,

FIG. 10 a left side view of the trolley but with the gate fully extended from the retracted position.

1 Claim, 9 Drawing Sheets



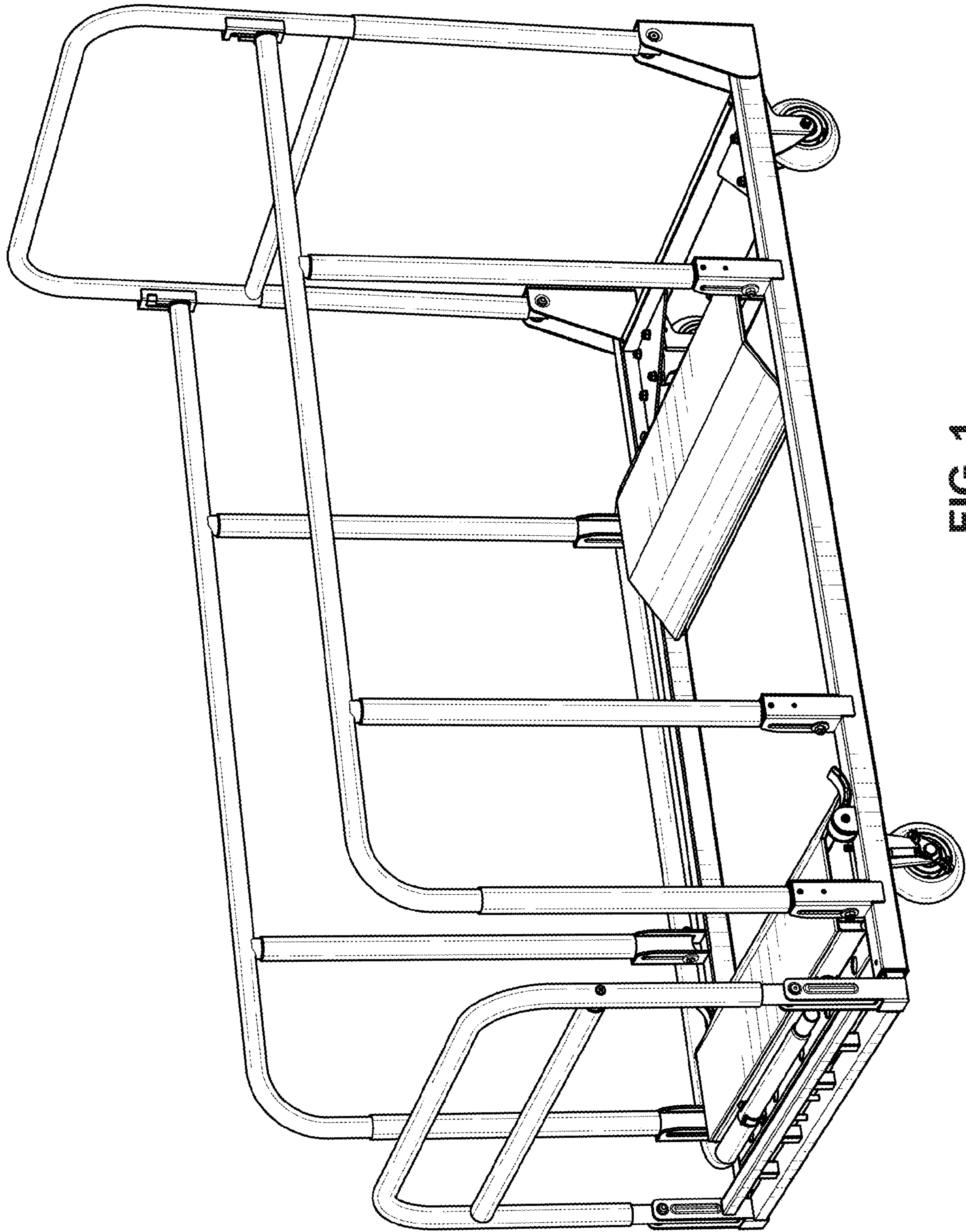


FIG. 1

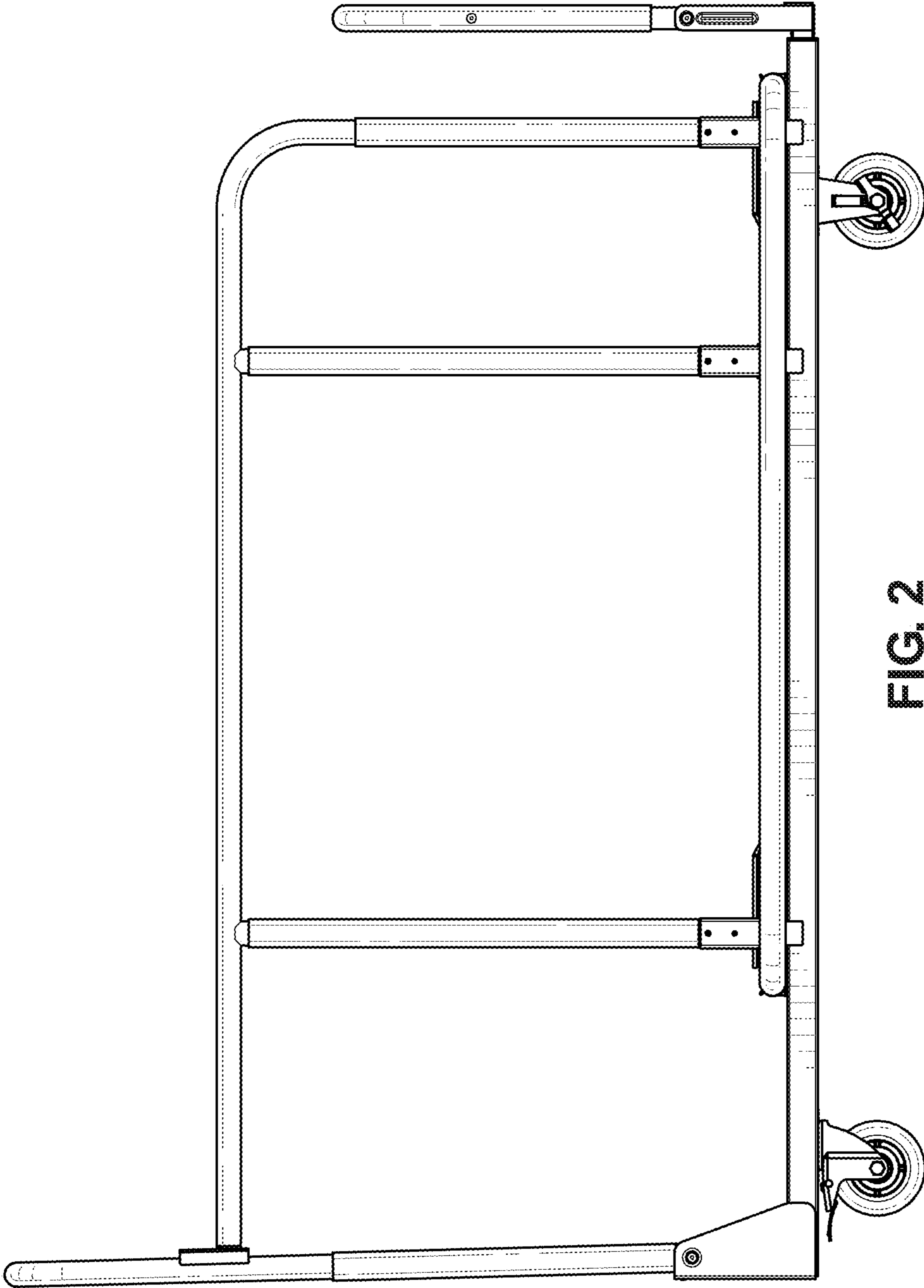


FIG. 2

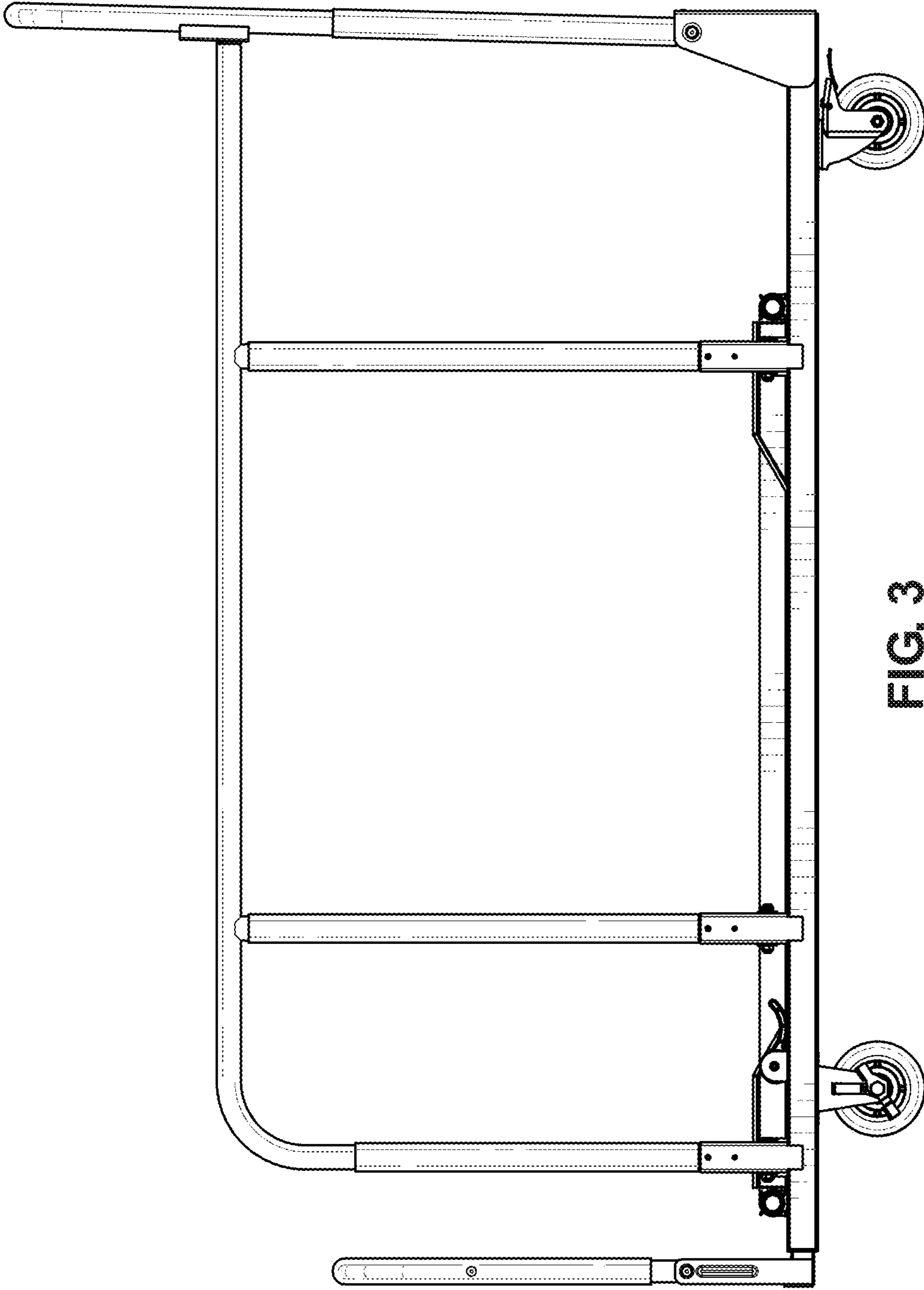


FIG. 3

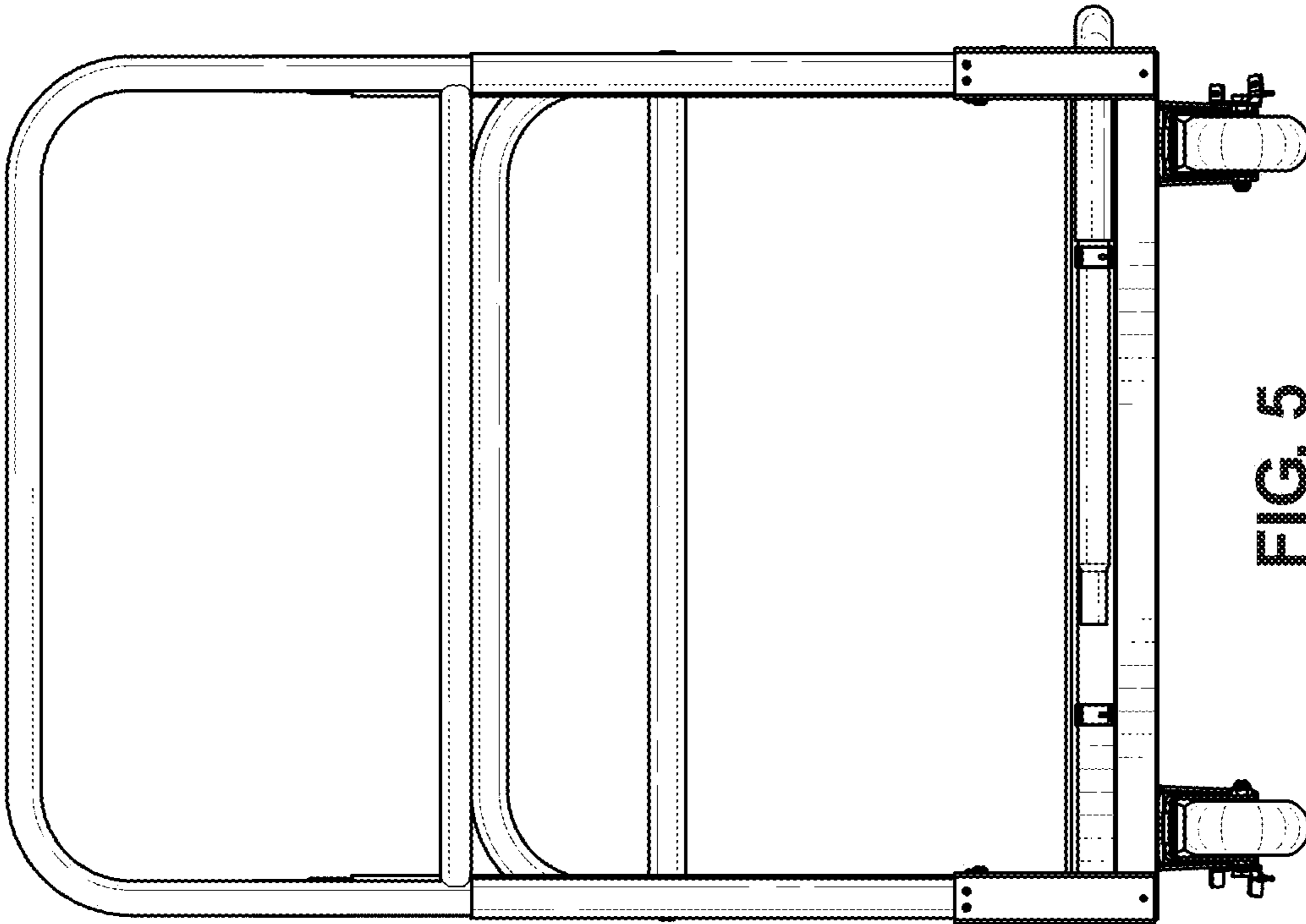


FIG. 5

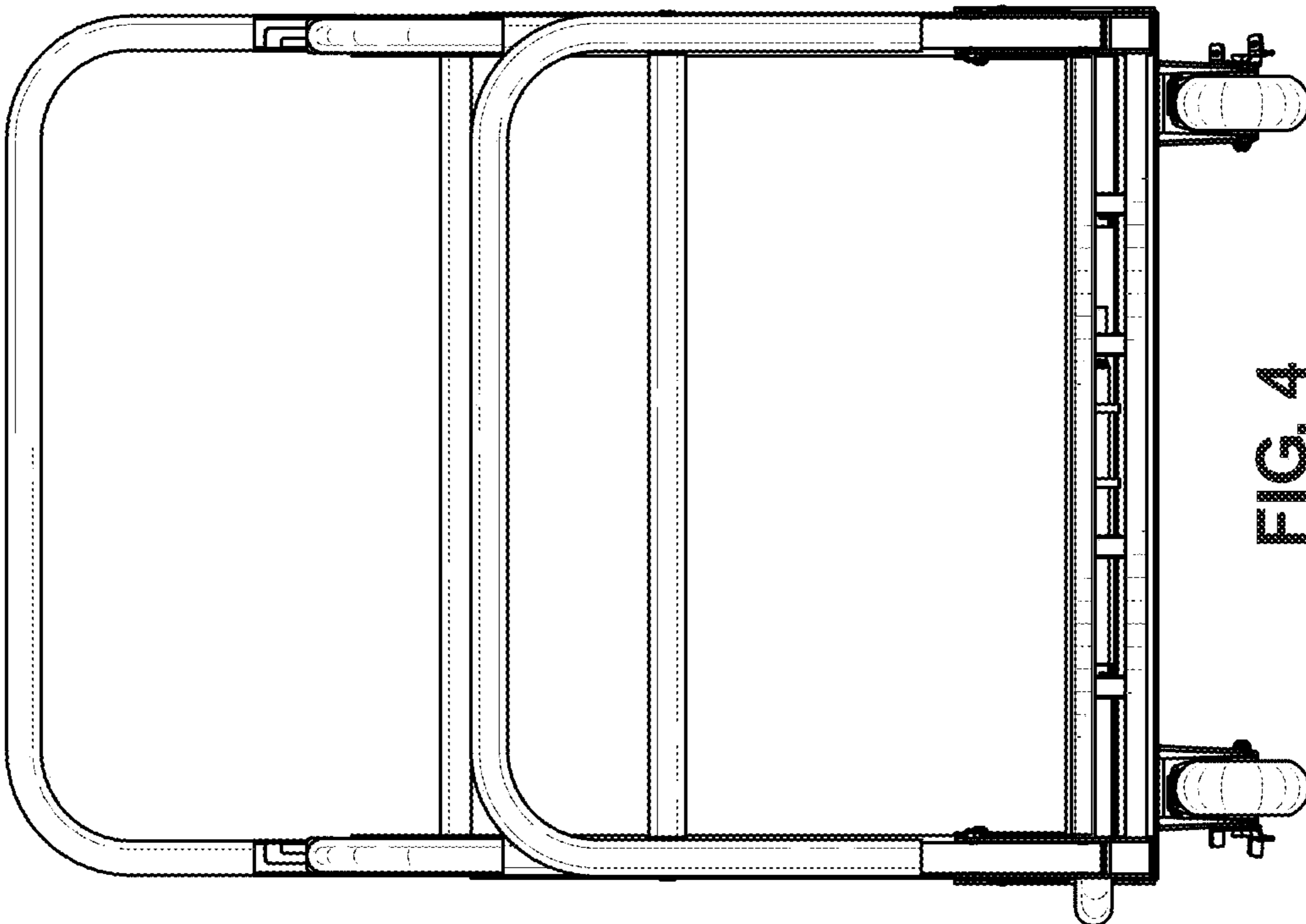


FIG. 4

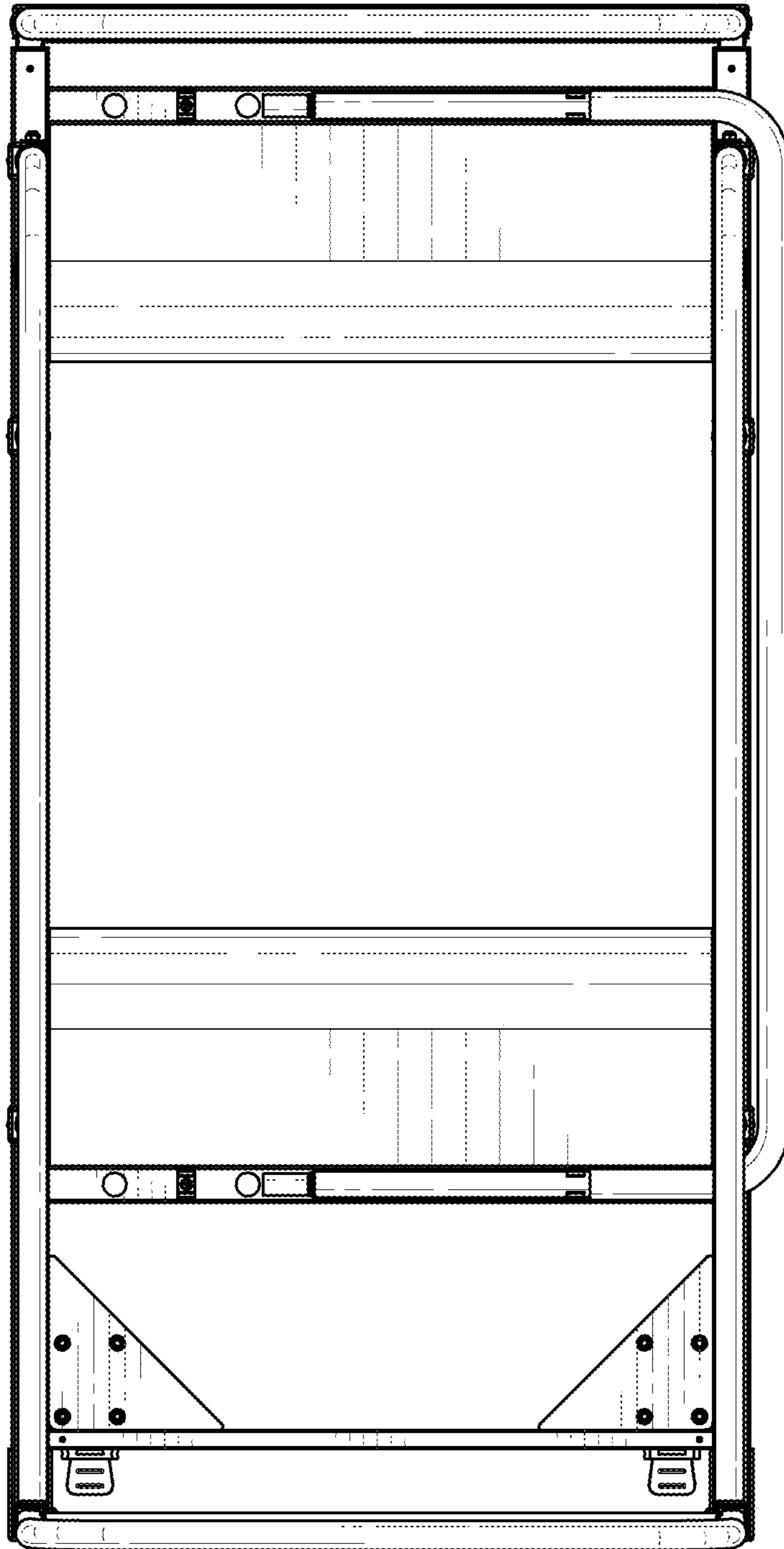


FIG. 6

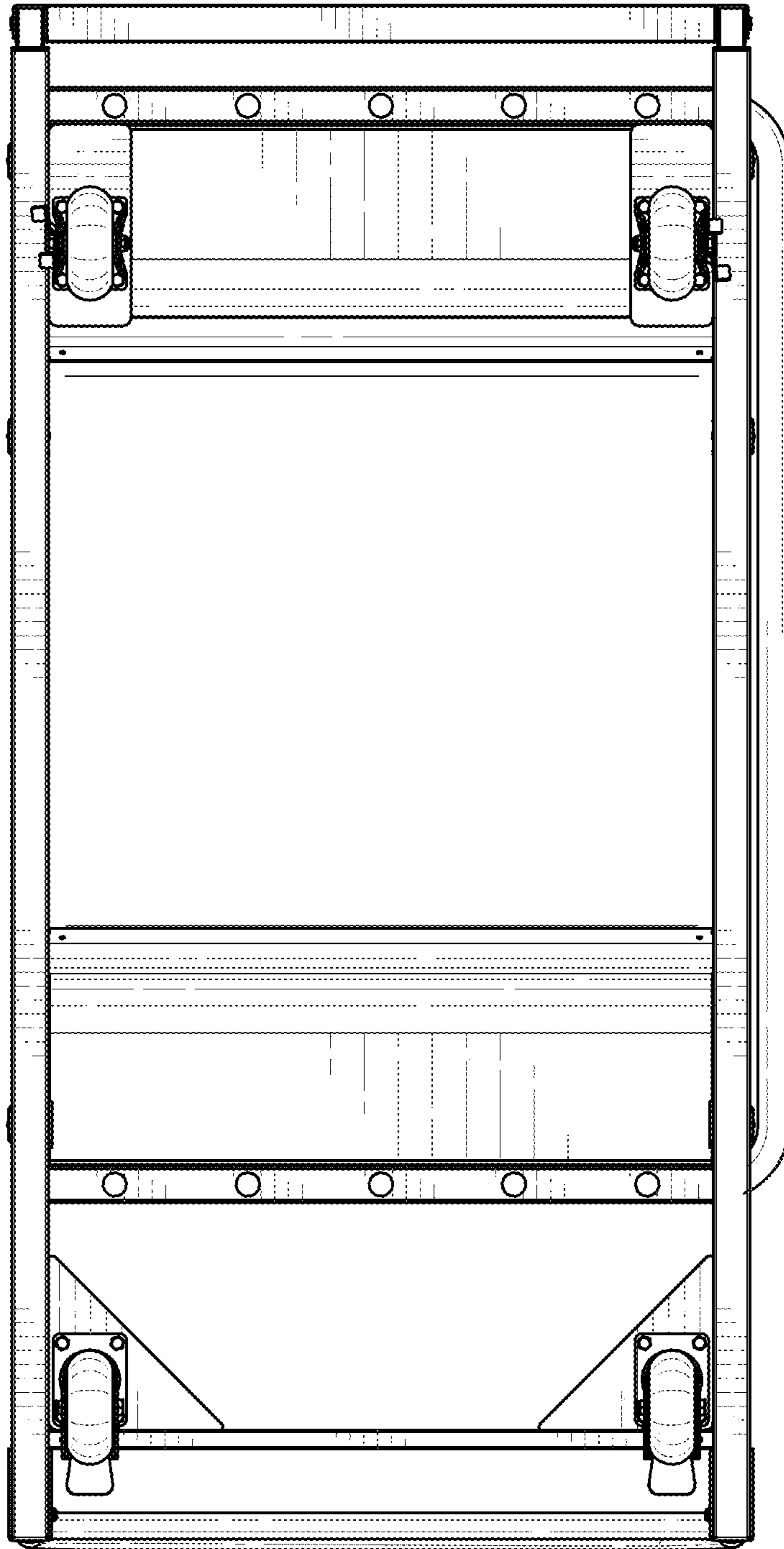


FIG. 7

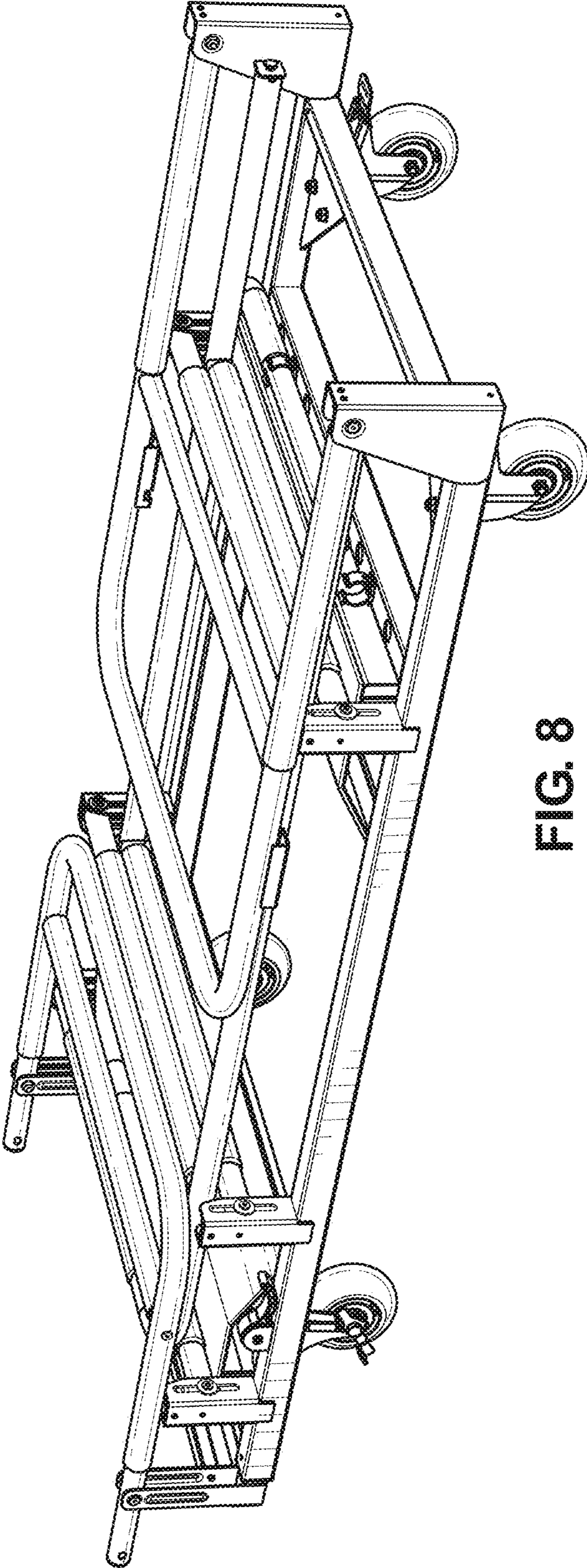


FIG. 8

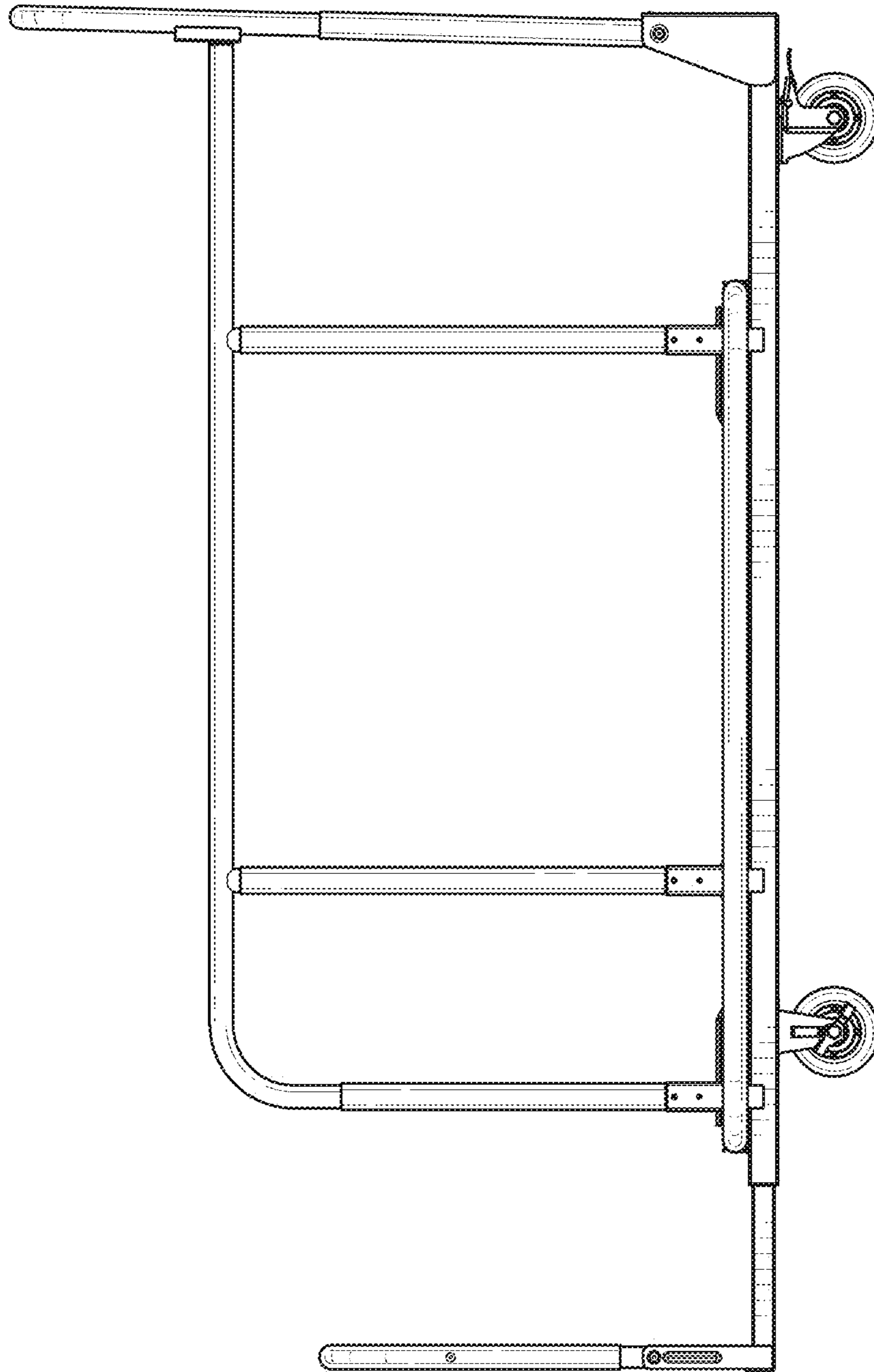


FIG. 9

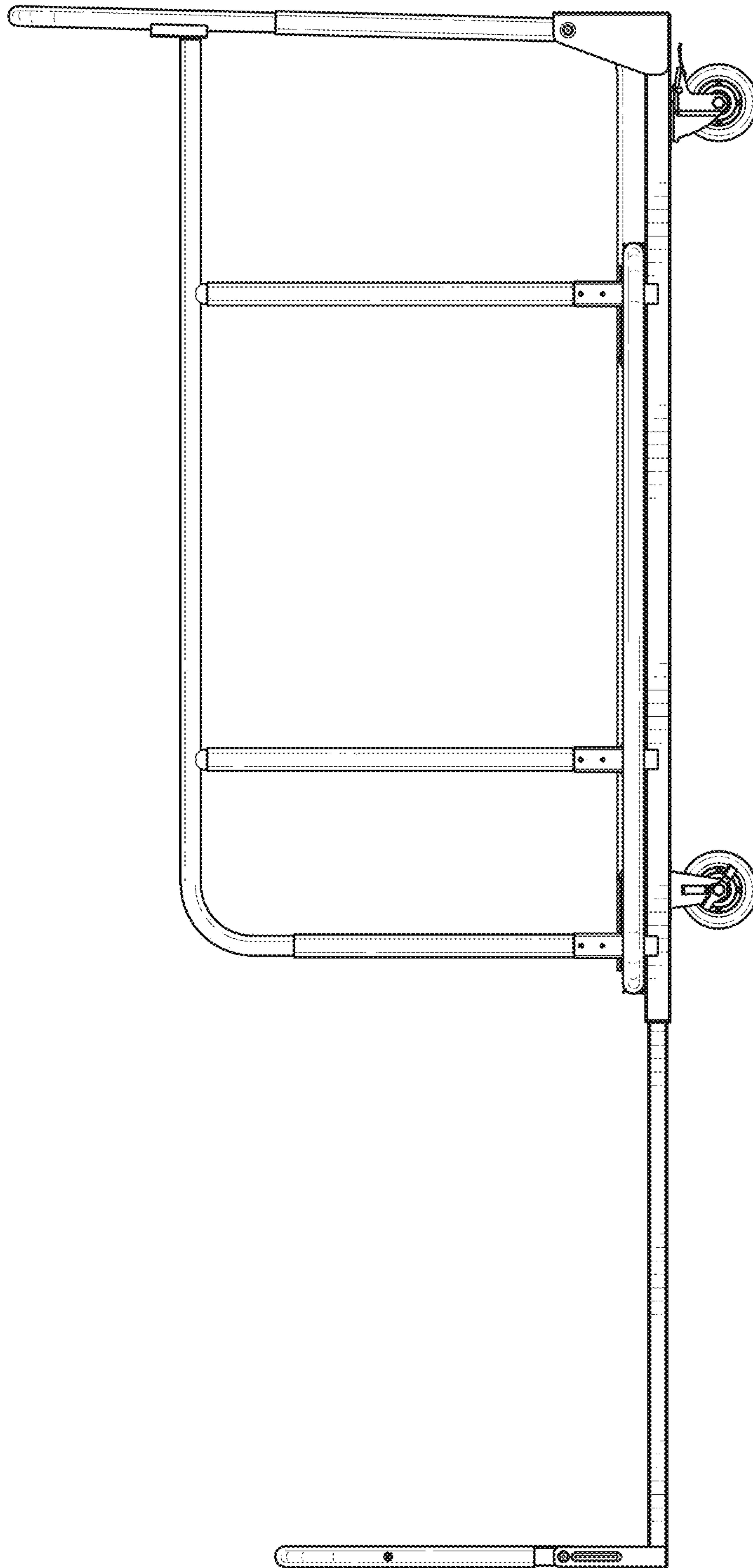


FIG. 10