



US00D911650S

(12) **United States Design Patent** (10) **Patent No.:** **US D911,650 S**
Liao (45) **Date of Patent:** **** Feb. 23, 2021**

- (54) **TRASH CAN** D555,348 S 11/2007 Bettencourt
- (71) Applicant: **Jiangmen Foreign Trade Group Co., Ltd., Jiangmen (CN)** D561,420 S 2/2008 Lin
- (72) Inventor: **Henry Liao, Jiangmen (CN)** D578,266 S 10/2008 Yang et al.
- (73) Assignee: **JIANGMEN FOREIGN TRADE GROUP CO., LTD., Jiangmen (CN)** D578,268 S 10/2008 Yang et al.
- (**) Term: **15 Years** D580,120 S 11/2008 Lin

- D580,613 S 11/2008 Yang et al.
- D580,615 S 11/2008 Yang et al.
- D584,468 S 1/2009 Liao
- D584,469 S 1/2009 Yang et al.
- D586,070 S 2/2009 Lin
- D591,471 S 4/2009 Lee

(Continued)

(21) Appl. No.: **29/692,070**

OTHER PUBLICATIONS

(22) Filed: **May 22, 2019**

U.S. Appl. No. 29/677,450, filed Jan. 21, 2019, Liao.

U.S. Appl. No. 29/692,071, filed May 22, 2019, Liao.

(51) **LOC (13) Cl.** **09-09**

(52) **U.S. Cl.**
USPC **D34/9**

(58) **Field of Classification Search**
USPC D34/1, 7, 9
CPC B65F 1/163; B65F 1/062; B65F 1/1623;
B65F 1/1646

See application file for complete search history.

Primary Examiner — Cynthia Ramirez

(74) *Attorney, Agent, or Firm* — Daniel F. Nesbitt; Hasse & Nesbitt LLC

(57) **CLAIM**

I claim the ornamental design for a trash can, as shown and described.

(56) **References Cited**

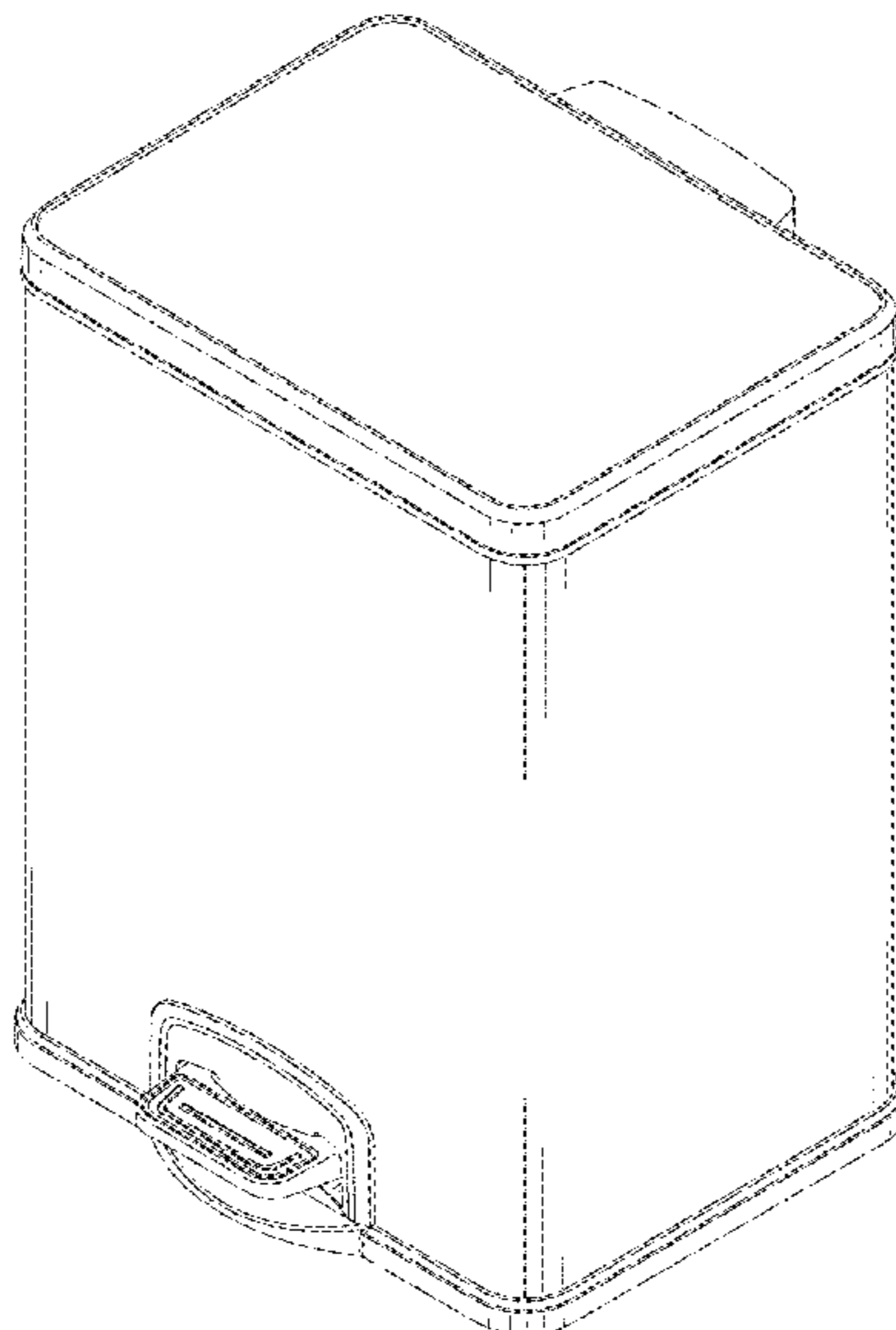
DESCRIPTION

U.S. PATENT DOCUMENTS

- 4,982,857 A 1/1991 Sher
- 5,072,852 A 12/1991 Smith et al.
- D355,740 S 2/1995 Kirchner
- 5,662,235 A 9/1997 Nieto
- 6,386,386 B1 5/2002 George
- 6,626,316 B2 9/2003 Yang
- 6,626,317 B2 9/2003 Pfiefer et al.
- D489,153 S 4/2004 Lin
- D517,767 S 3/2006 Yang et al.
- 7,086,550 B2 8/2006 Yang et al.
- D535,800 S * 1/2007 Yang D34/9
- D537,600 S 2/2007 Lin
- D538,000 S 3/2007 Lin
- D542,994 S 5/2007 Lin
- D544,671 S 6/2007 Saunders et al.
- D552,823 S 10/2007 Yang et al.
- D555,318 S 11/2007 Lin

FIG. 1 is a top, front, right-side perspective view of the trash can, showing my new design;
 FIG. 2 is a top, back, right-side perspective view of the trash can;
 FIG. 3 is a front view of the trash can;
 FIG. 4 is a back view of the trash can;
 FIG. 5 is a right-side view of the trash can;
 FIG. 6 is a left-side view of the trash can;
 FIG. 7 is a top view of the trash can; and,
 FIG. 8 is a bottom view of the trash can.
 The broken lines shown in the bottom view is for the purpose of illustrating portions of the trash can, and form no part of the claimed design.

1 Claim, 8 Drawing Sheets



(56)

References Cited

U.S. PATENT DOCUMENTS

D593,271 S 5/2009 Yang et al.
 D595,468 S 6/2009 Liao
 D595,917 S 7/2009 Liao
 D615,270 S 5/2010 Yang et al.
 D615,722 S 5/2010 Yang et al.
 D620,667 S 7/2010 Liao
 D629,579 S 12/2010 Lin
 D631,221 S * 1/2011 Yang D34/9
 D656,699 S 3/2012 Liao
 D657,108 S 4/2012 Yang et al.
 D671,290 S 11/2012 Vanhoof
 D714,009 S 9/2014 Phillips et al.
 D716,015 S 10/2014 Van De Leest
 D717,014 S 11/2014 Han
 D729,485 S 5/2015 Yang et al.
 D736,489 S 8/2015 Wall
 D755,461 S 5/2016 Wall
 D762,037 S 7/2016 Chen
 D769,564 S * 10/2016 Chen D34/9
 D769,565 S 10/2016 Chen
 D773,145 S * 11/2016 Yang D34/9
 D773,769 S * 12/2016 Chen D34/9
 D774,270 S 12/2016 Chen

D793,022 S 7/2017 Liao
 D793,642 S 8/2017 Yang et al.
 9,745,127 B1 8/2017 Stravitz
 D796,767 S 9/2017 Chen
 D809,729 S 2/2018 Chen
 D813,485 S 3/2018 Liao
 D827,968 S 9/2018 Chen
 D830,659 S 10/2018 Greenspon et al.
 D831,289 S 10/2018 Greenspon et al.
 D841,275 S * 2/2019 Chen D34/9
 D842,572 S 3/2019 Liao
 D842,573 S * 3/2019 Smeets D34/9
 D851,350 S * 6/2019 Lu D34/9
 D853,066 S 7/2019 Liao
 D863,708 S * 10/2019 Lu D34/9
 D886,402 S * 6/2020 Chen D34/9
 2005/0230396 A1 * 10/2005 Yang B65F 1/163
 220/264
 2008/0245794 A1 * 10/2008 Escobar B65F 1/163
 220/263
 2013/0105486 A1 * 5/2013 Mashburn B65F 1/08
 220/495.06
 2018/0079592 A1 3/2018 Wang et al.
 2019/0152696 A1 * 5/2019 Wegner B65F 1/1646
 2019/0276232 A1 * 9/2019 Yang B65F 1/163

* cited by examiner

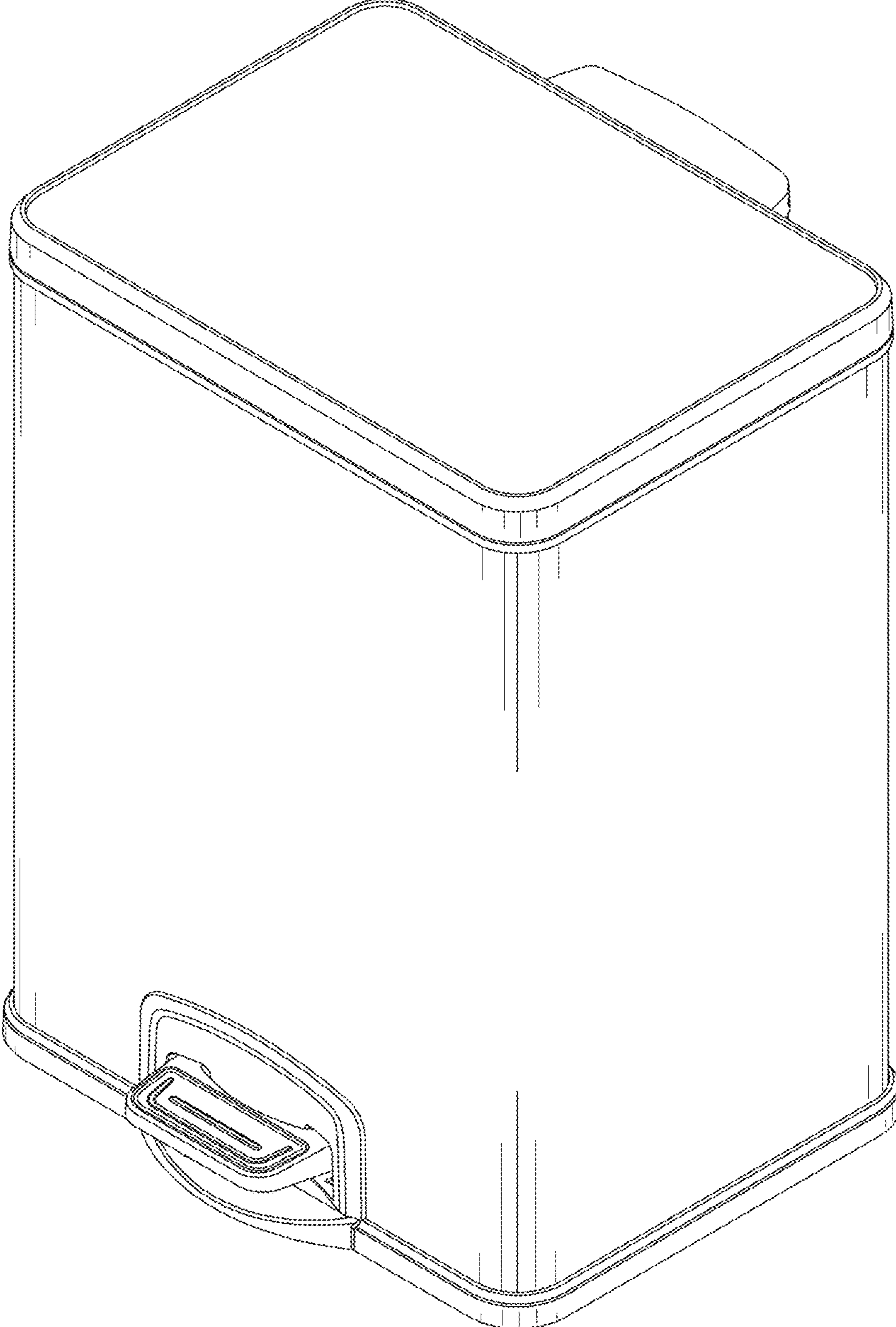


FIG. 1

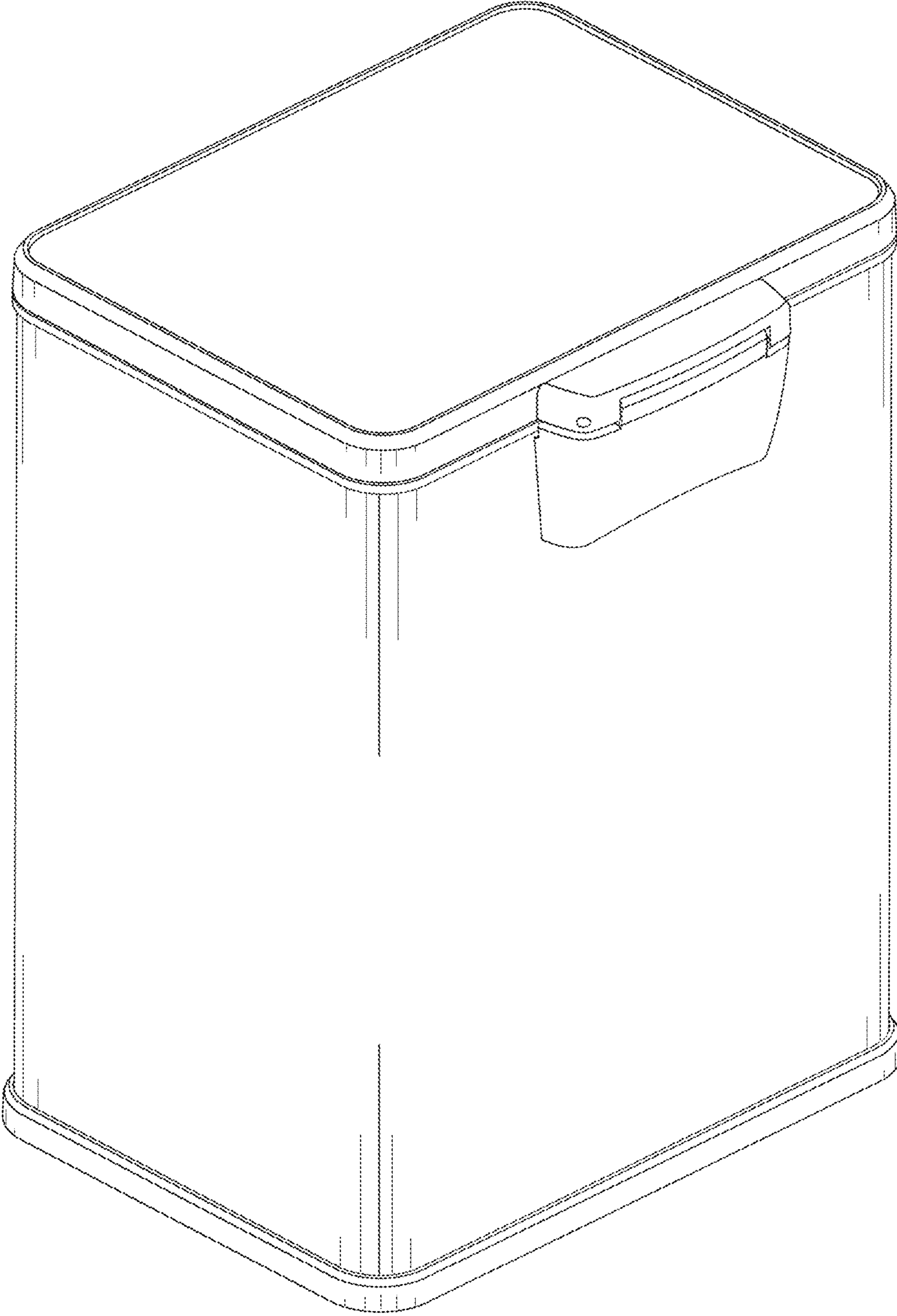


FIG. 2

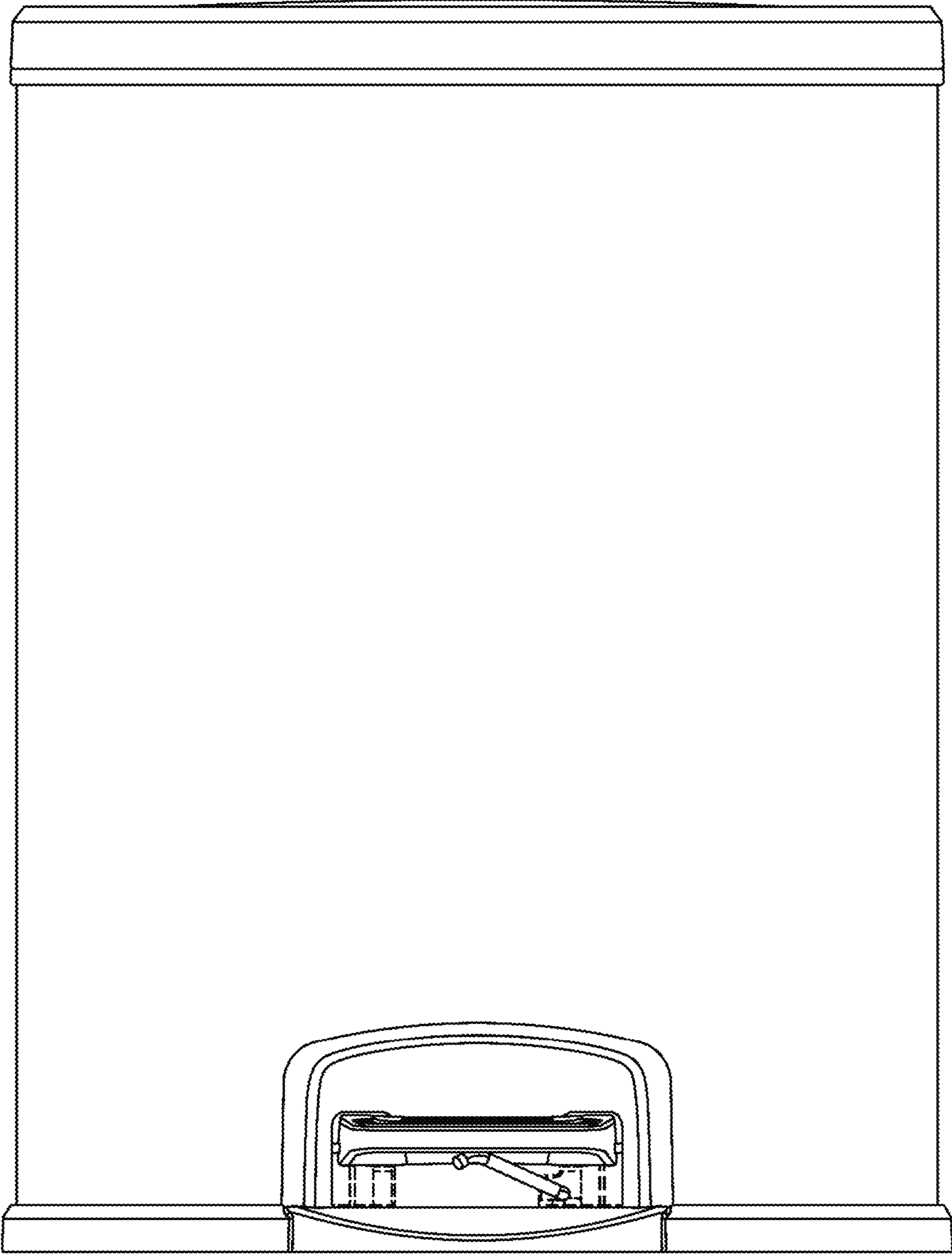


FIG. 3

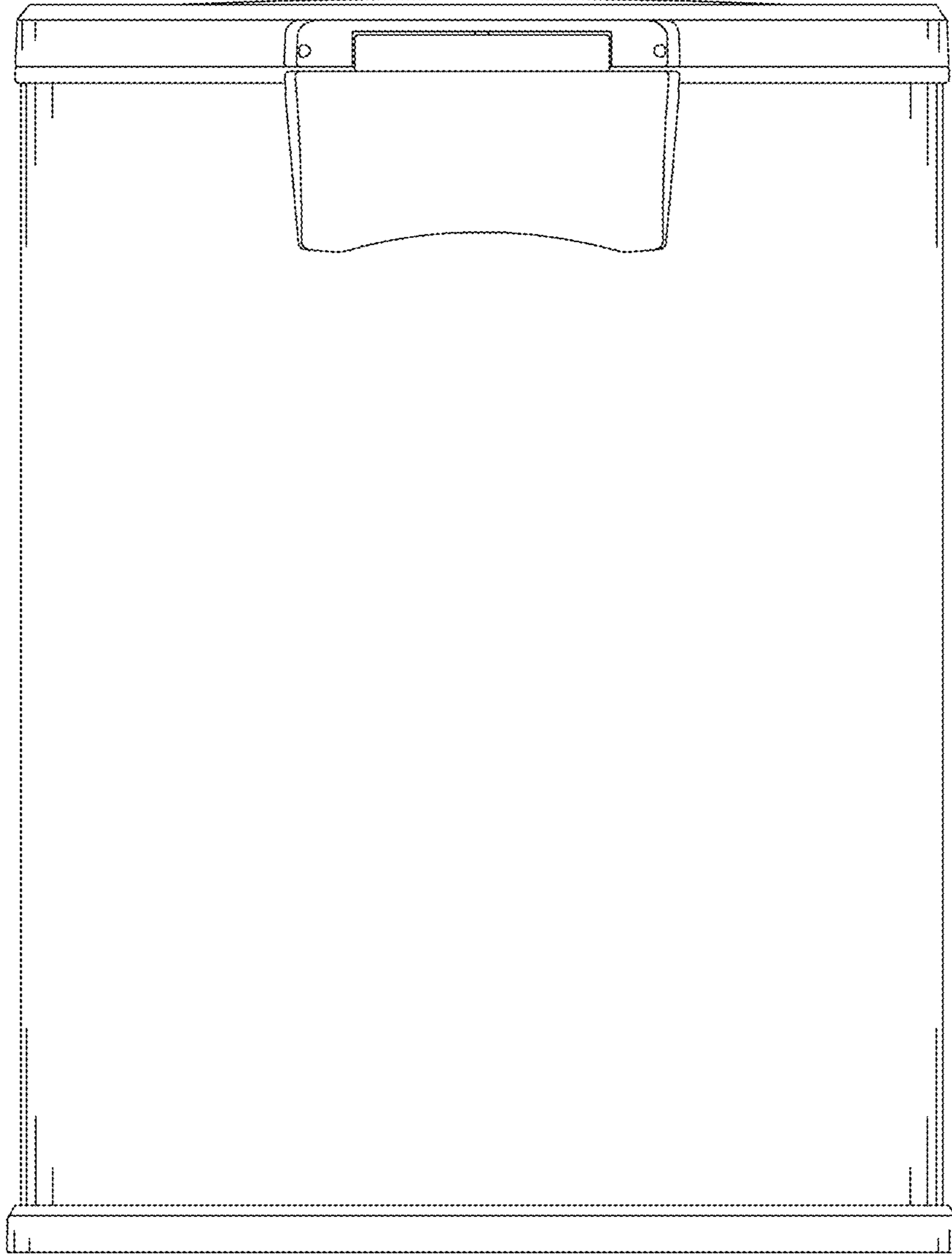


FIG. 4

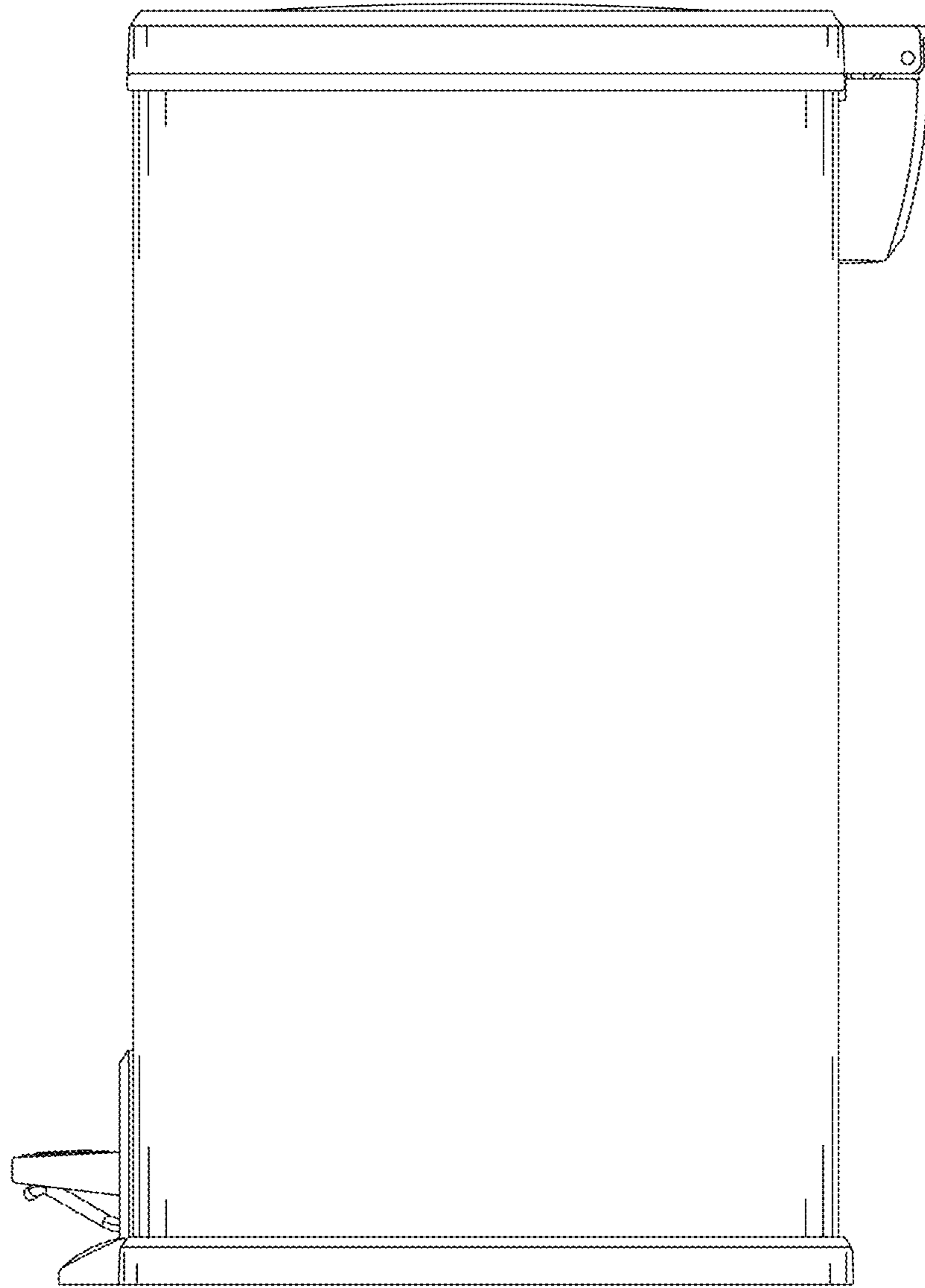


FIG. 5

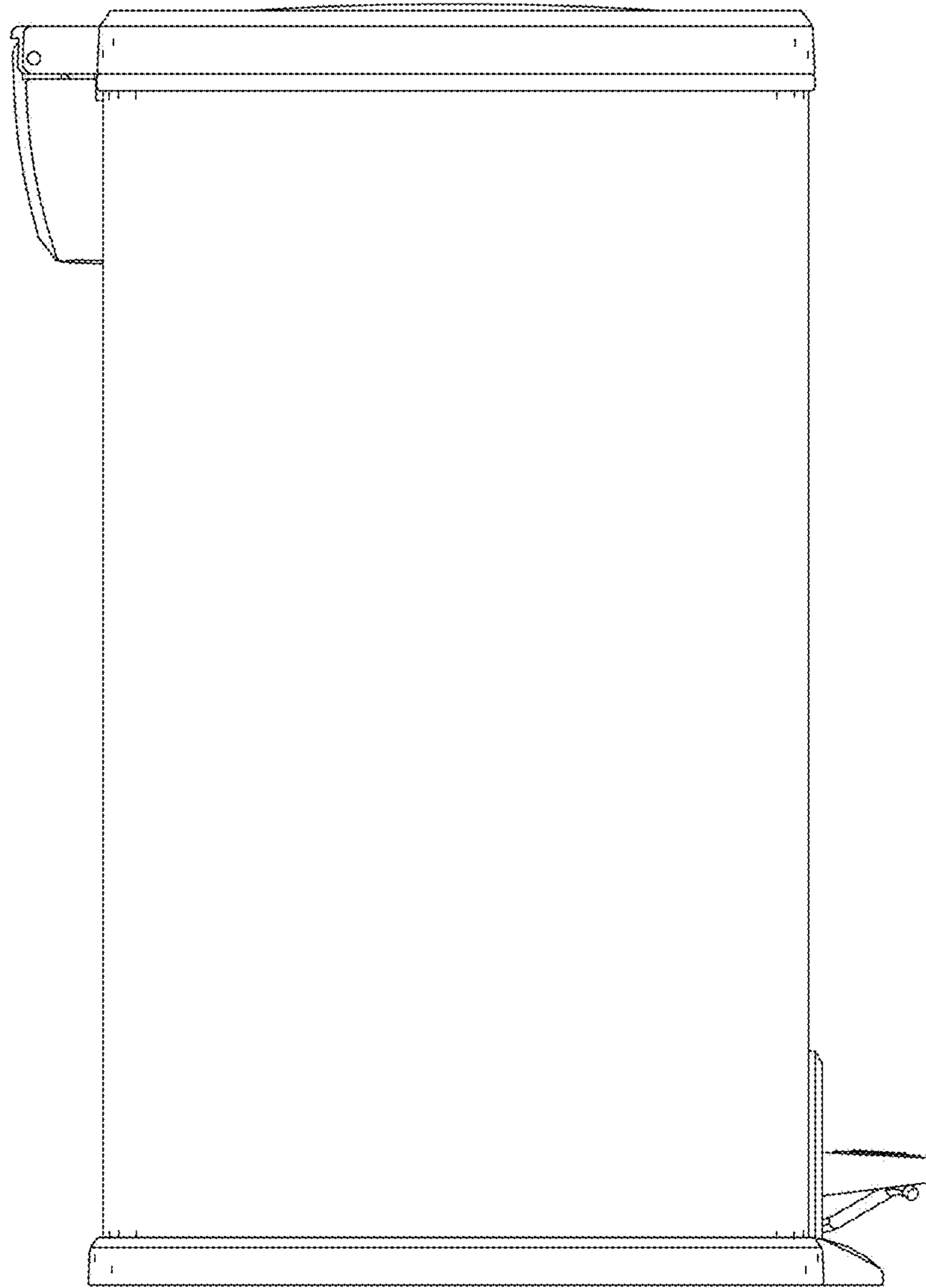


FIG. 6

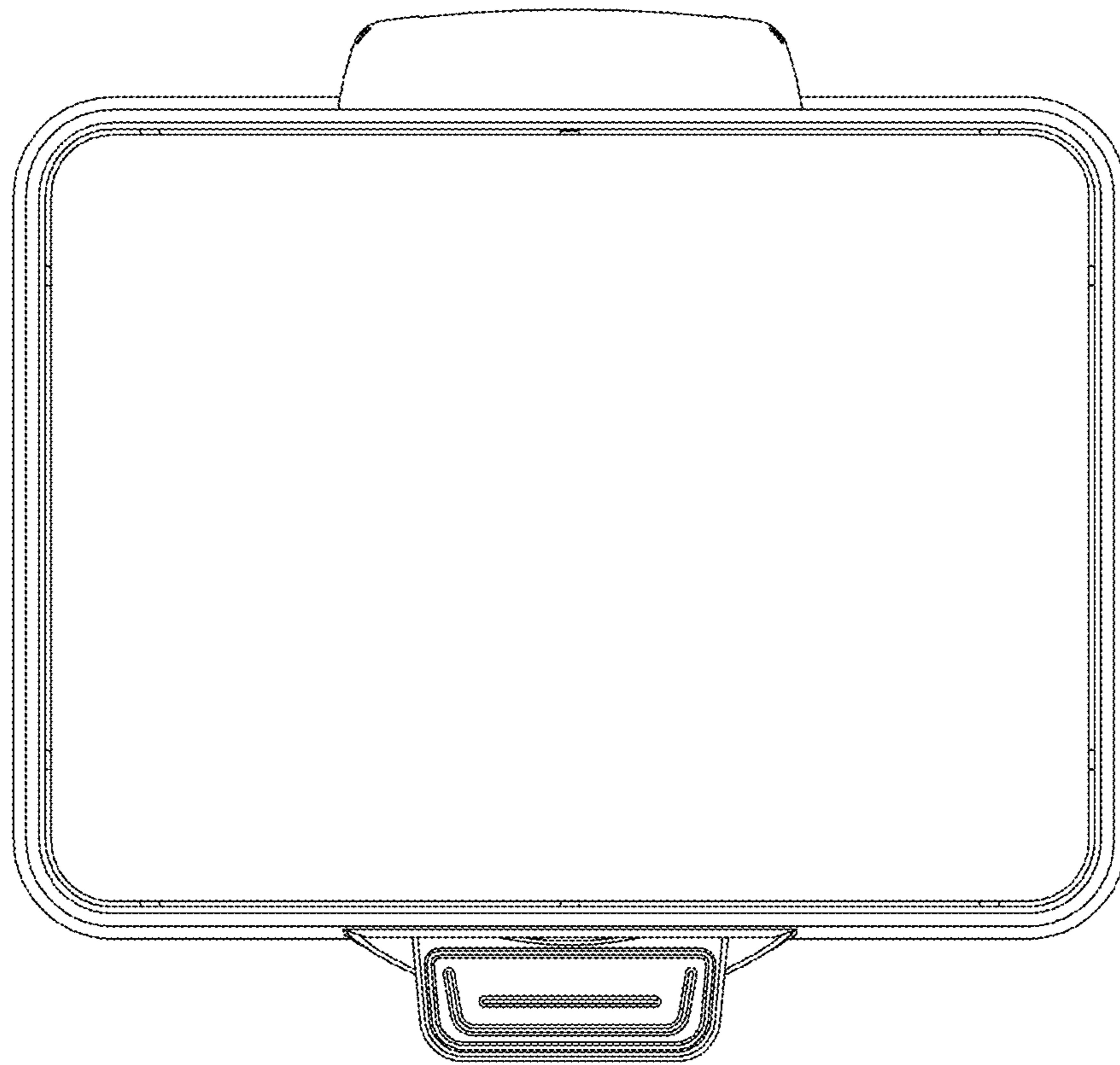


FIG. 7

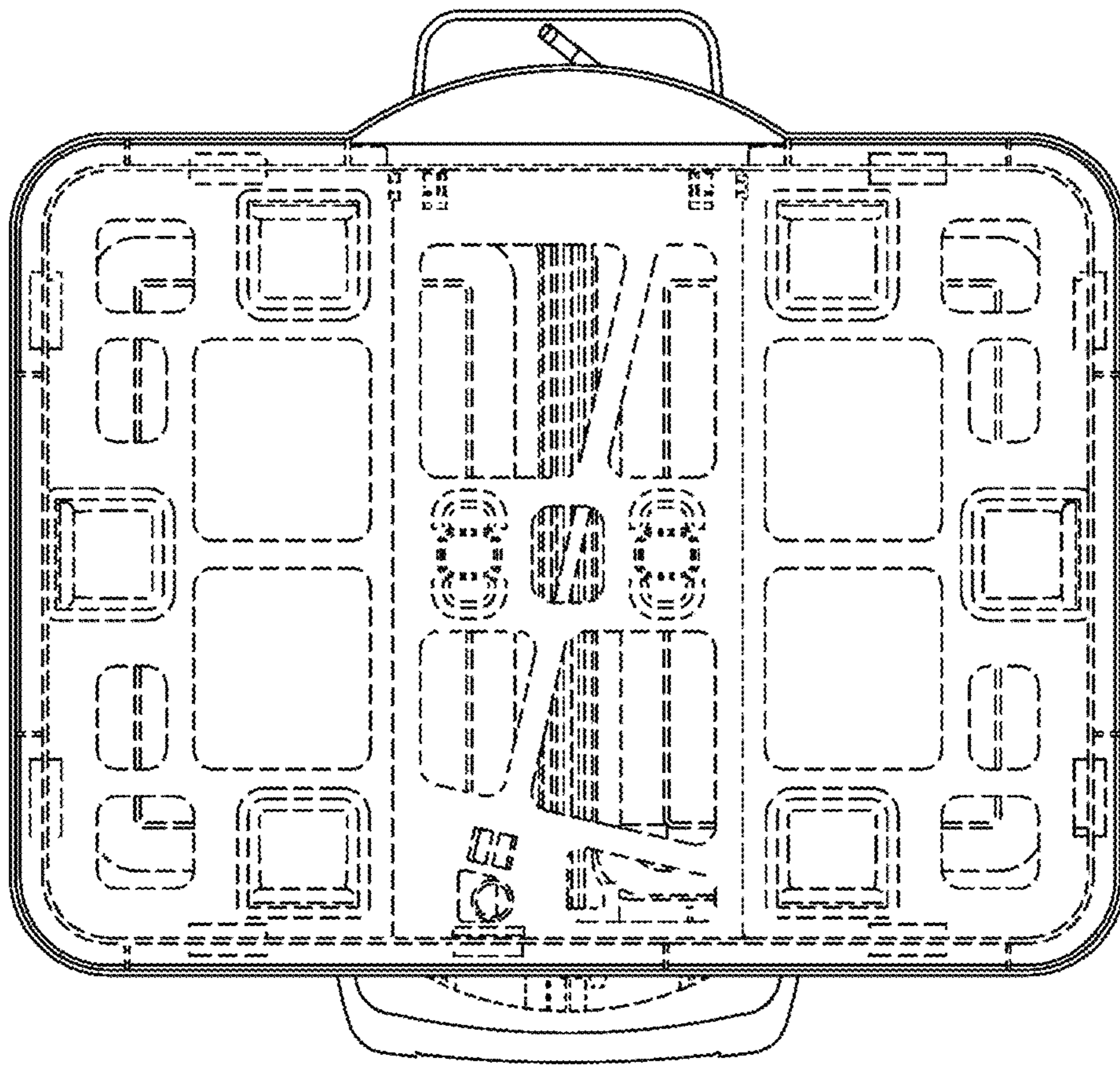


FIG. 8