



US00D911648S

(12) **United States Design Patent** (10) **Patent No.:** **US D911,648 S**  
**Bates, Jr.** (45) **Date of Patent:** **\*\* Feb. 23, 2021**

(54) **FLOATING BASKET**  
(71) Applicant: **Osprey Initiative, LLC**, Fairhope, AL (US)  
(72) Inventor: **Donald W. Bates, Jr.**, Fairhope, AL (US)  
(73) Assignee: **Osprey Initiative, LLC**, Fairhope, AL (US)

4,362,631 A 12/1982 Bocard et al.  
5,028,325 A 7/1991 Hamilton  
D323,698 S 2/1992 Nelson et al.  
D330,617 S \* 10/1992 Saller ..... D34/5  
(Continued)

**FOREIGN PATENT DOCUMENTS**

FR 2227750 11/1974  
GB 2074887 A 11/1981  
GB 2095571 A 10/1982

(\*\*) Term: **15 Years**

**OTHER PUBLICATIONS**

(21) Appl. No.: **29/685,924**  
(22) Filed: **Apr. 1, 2019**  
(51) **LOC (13) Cl.** ..... **23-99**  
(52) **U.S. Cl.**  
USPC ..... **D34/1; D3/304**  
(58) **Field of Classification Search**  
USPC ..... D34/1-11; D23/209; D3/304-306;  
D22/121, 134, 135, 136, 146, 149  
CPC ..... E04H 4/1263; A01K 97/20; A01K 74/00;  
A01K 77/00; A01K 71/00; B01D 2201/64  
See application file for complete search history.

Pool Storage Bin, announced Jun. 2018 [online], [site visited Nov. 13, 2020]. Available from internet, URL: [https://www.amazon.com/HomeACCESS-Pool-Storage-Bin-Large-Improvements/dp/B007V2DJHQ/ref=sr\\_1\\_17\\_sspa](https://www.amazon.com/HomeACCESS-Pool-Storage-Bin-Large-Improvements/dp/B007V2DJHQ/ref=sr_1_17_sspa) (Year: 2018).\*

*Primary Examiner* — George A Bugg  
*Assistant Examiner* — Tamara L Hahn  
(74) *Attorney, Agent, or Firm* — Bush Intellectual Property Law; Kenneth M. Bush

(57) **CLAIM**

I claim the ornamental design for a floating basket, as shown and described.

**DESCRIPTION**

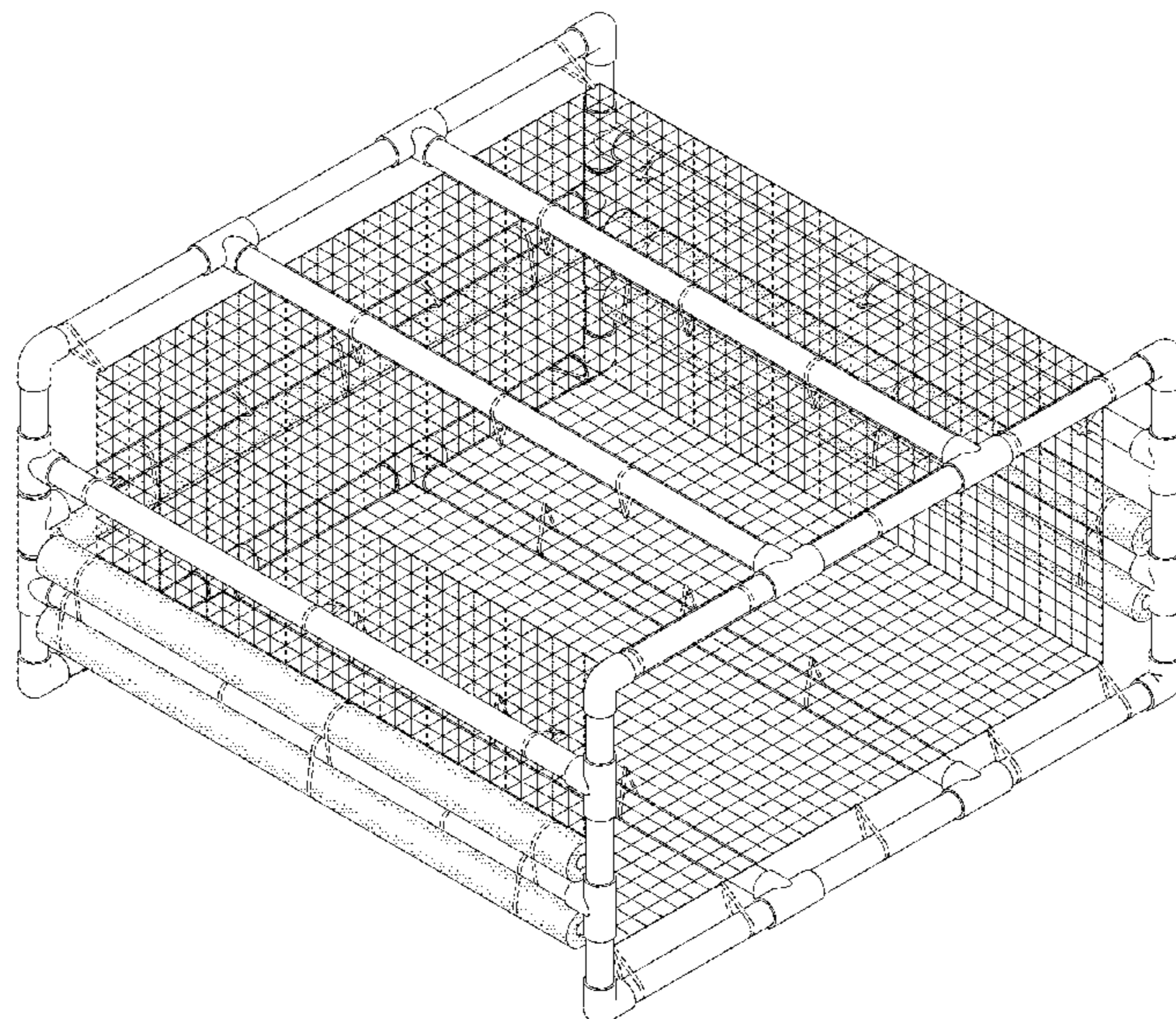
FIG. 1 is a top, front, left side perspective view of a floating basket showing my new design;  
FIG. 2 is a top, rear, right side perspective view thereof;  
FIG. 3 is a front elevational view thereof;  
FIG. 4 is a rear elevational view thereof;  
FIG. 5 is a top plan view thereof;  
FIG. 6 is a bottom plan view thereof; and,  
FIG. 7 is a left side elevational view thereof; the right side elevational view being a mirror image of the left side elevational view.

The broken lines shown in the figures represent portions of the floating basket that form no part of the claimed design.

**1 Claim, 7 Drawing Sheets**

(56) **References Cited**  
**U.S. PATENT DOCUMENTS**

1,836,836 A 12/1931 Chobanoff  
2,241,314 A 5/1941 Mohler  
D161,816 S 2/1951 Blakeslee  
2,782,546 A 2/1957 Edworthy  
3,308,570 A 3/1967 Horton  
3,381,408 A 5/1968 Nishimura  
3,524,278 A 8/1970 Wolfe  
3,653,510 A 4/1972 Fitzgerald  
3,850,807 A 11/1974 Jones  
4,000,532 A 1/1977 Nielsen  
4,124,981 A 11/1978 Preus  
D254,503 S 3/1980 Belasquez  
4,211,659 A 7/1980 Nyfeldt et al.  
4,250,664 A 2/1981 Remke



(56)

**References Cited**

U.S. PATENT DOCUMENTS

5,165,821	A	11/1992	Fischer et al.	
5,223,135	A	6/1993	MacPhee et al.	
D367,102	S	2/1996	McLeaf	
5,561,936	A	10/1996	Franke	
D423,809	S *	5/2000	Lund .....	D21/803
6,187,181	B1	2/2001	Stoltz et al.	
6,270,683	B1	8/2001	Turner	
6,306,295	B1	10/2001	Giacalone	
6,379,541	B1	4/2002	Nicholas	
D485,329	S	1/2004	Haws	
6,860,677	B2	3/2005	Johnston	
7,153,417	B2	12/2006	Happel	
D598,196	S	8/2009	Vreeland	
D620,548	S	7/2010	Vreeland	
7,972,504	B2	7/2011	Weiss	
8,001,717	B1	8/2011	Bright, II	
D667,529	S	9/2012	Vreeland	
D694,852	S	12/2013	Gordon	
9,260,853	B2	2/2016	Pank	
D754,280	S	4/2016	Krieger et al.	
9,572,328	B1	2/2017	Head	
D810,856	S	2/2018	Kelly	
10,015,954	B2	7/2018	Callingham	
10,323,375	B1	6/2019	Bates, Jr.	
2007/0151913	A1	7/2007	Riley	
2010/0025314	A1	2/2010	Cheng	
2011/0280660	A1	11/2011	Bahukudumbi et al.	
2013/0146519	A1	6/2013	Heimtun et al.	
2014/0158598	A1	6/2014	Happel	
2015/0034565	A1	2/2015	Vaz Viegas et al.	
2015/0247332	A1	9/2015	Norberto, III et al.	

\* cited by examiner

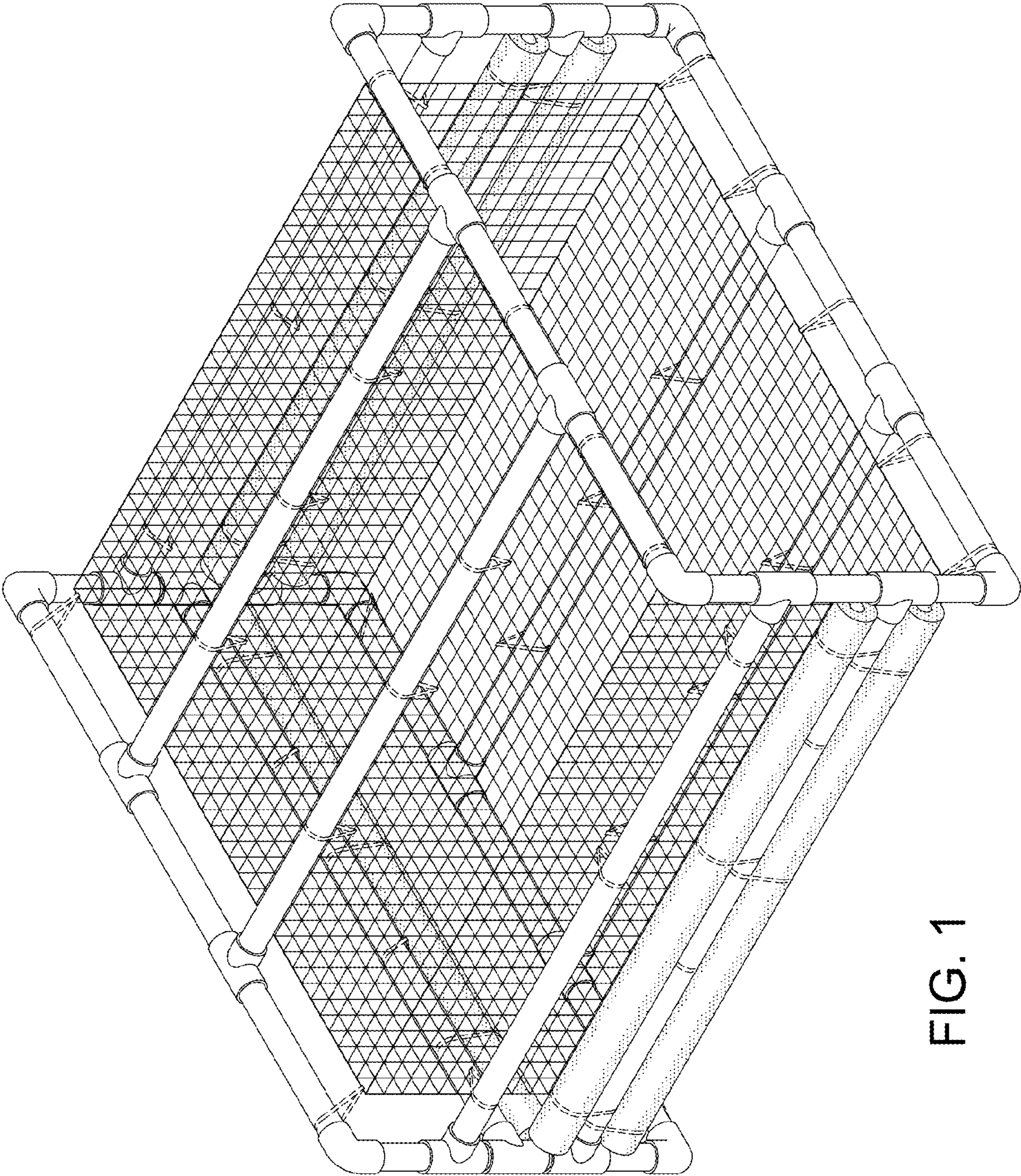


FIG. 1

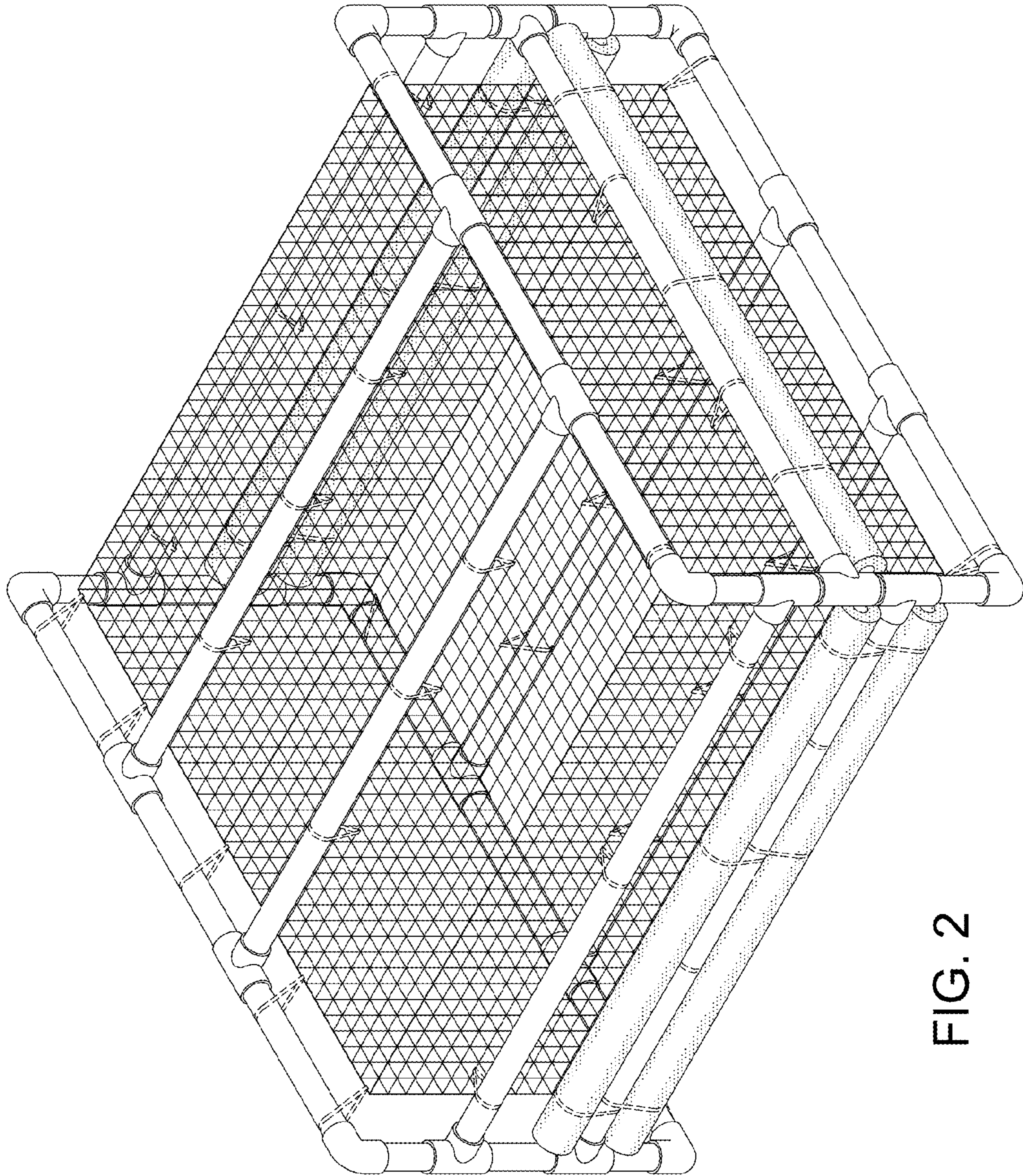


FIG. 2

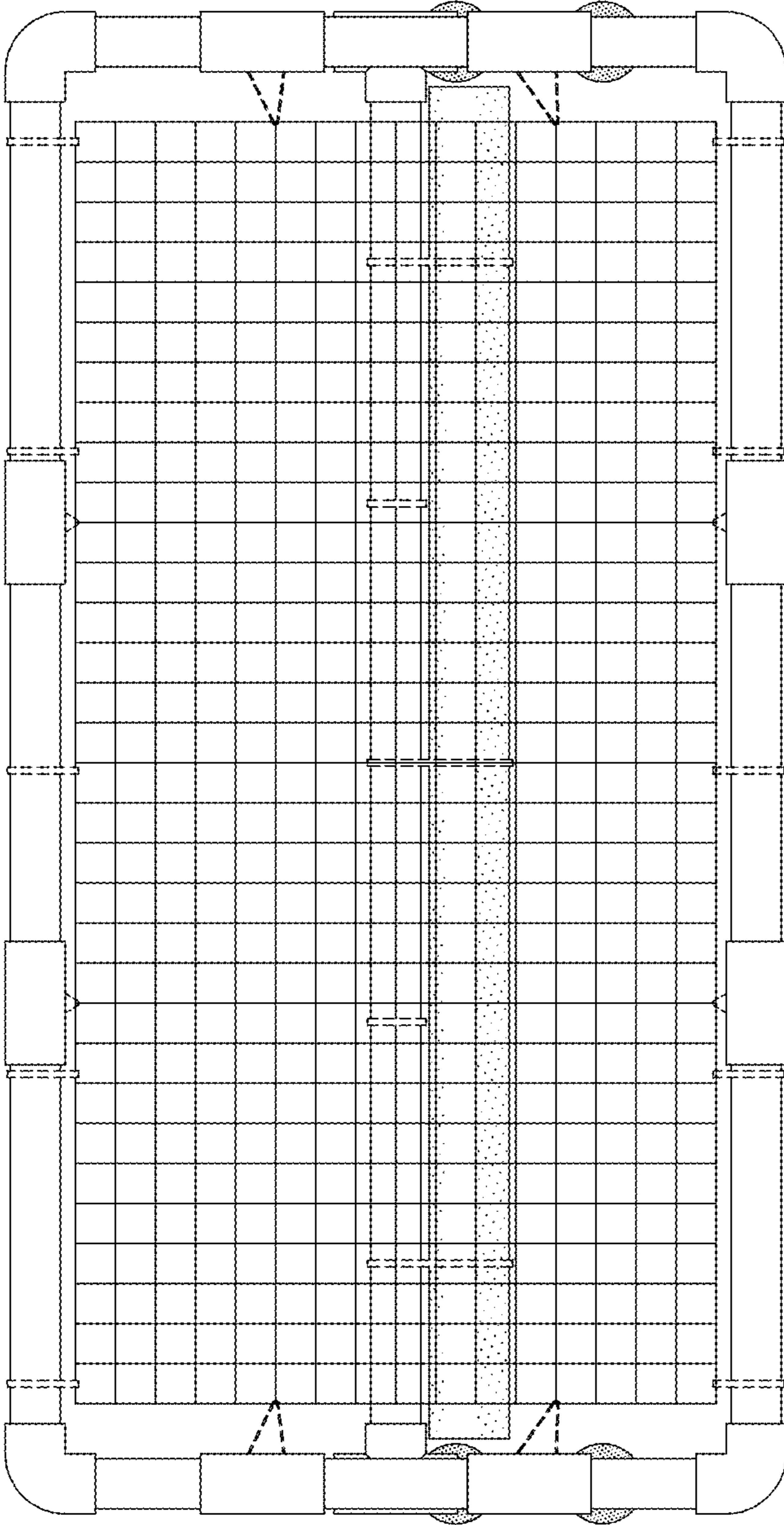


FIG. 3

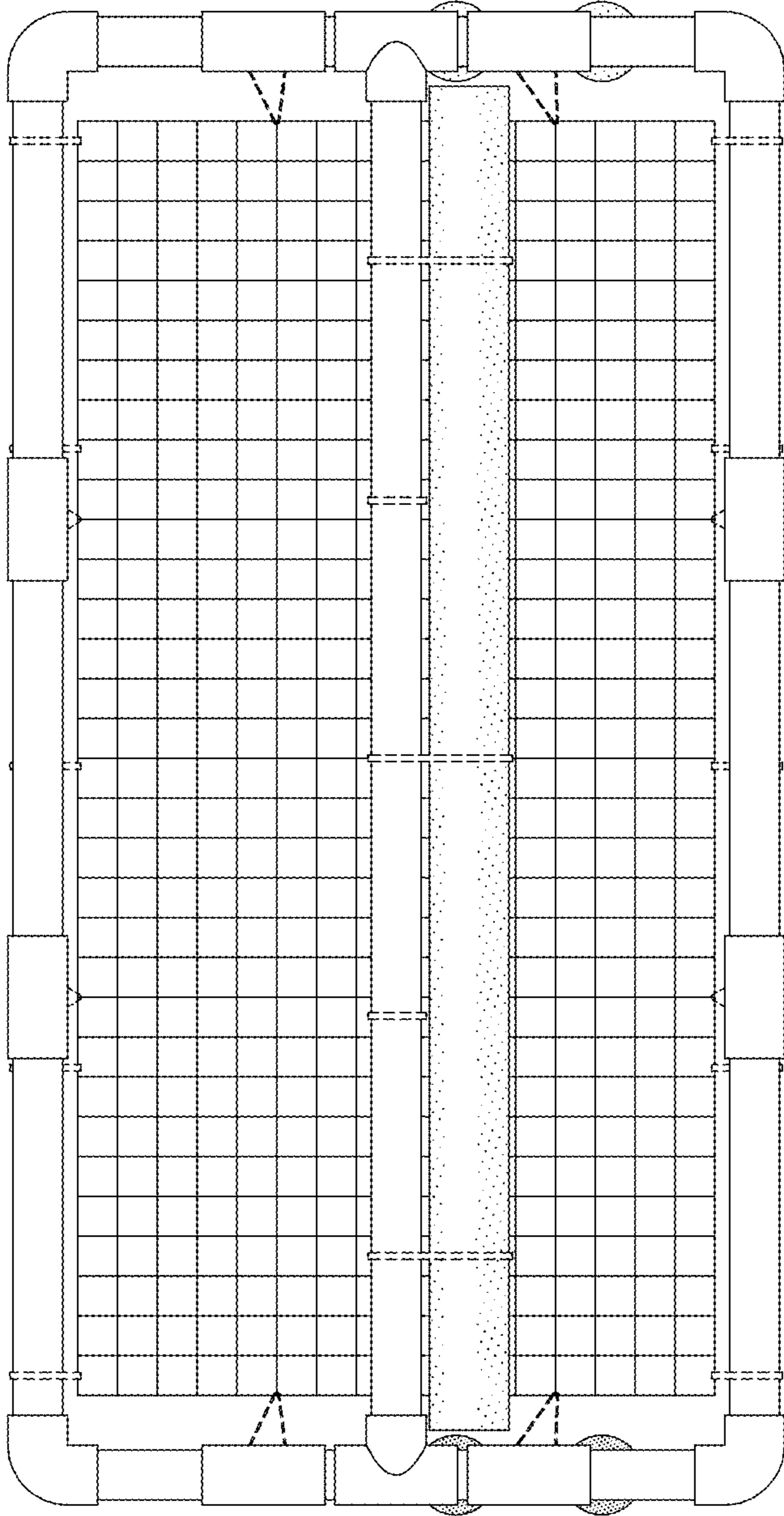


FIG. 4

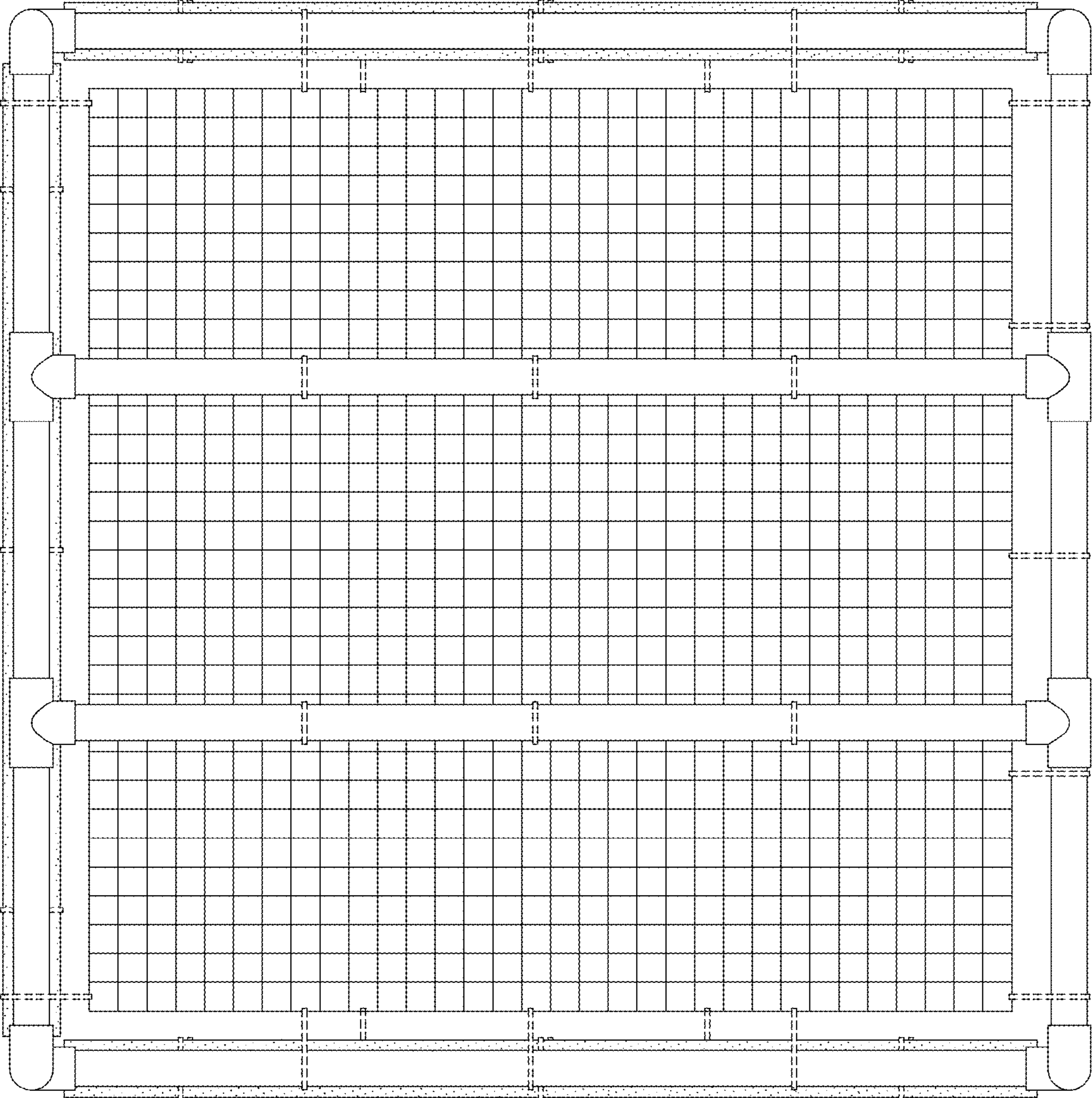


FIG. 5

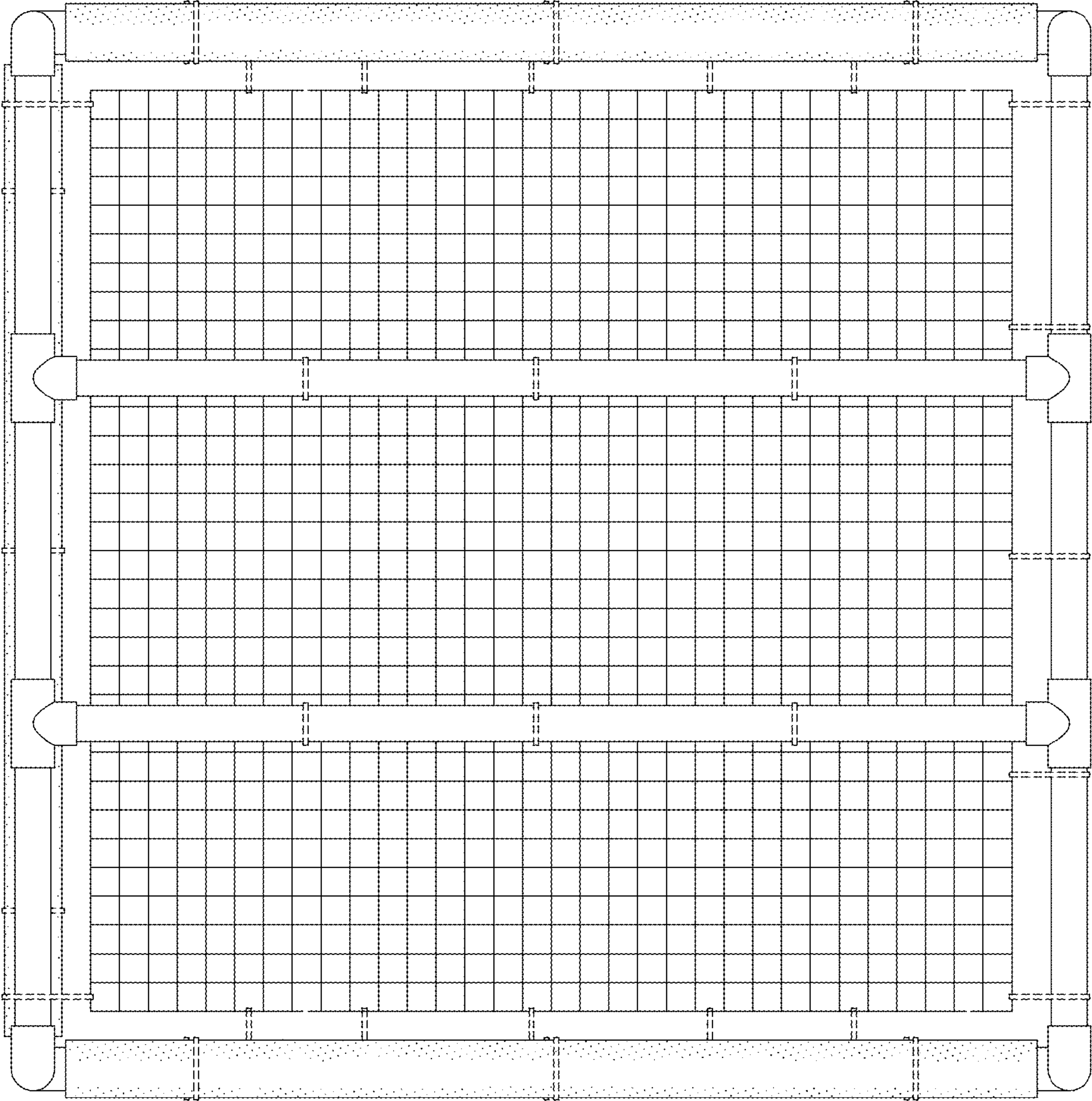


FIG. 6



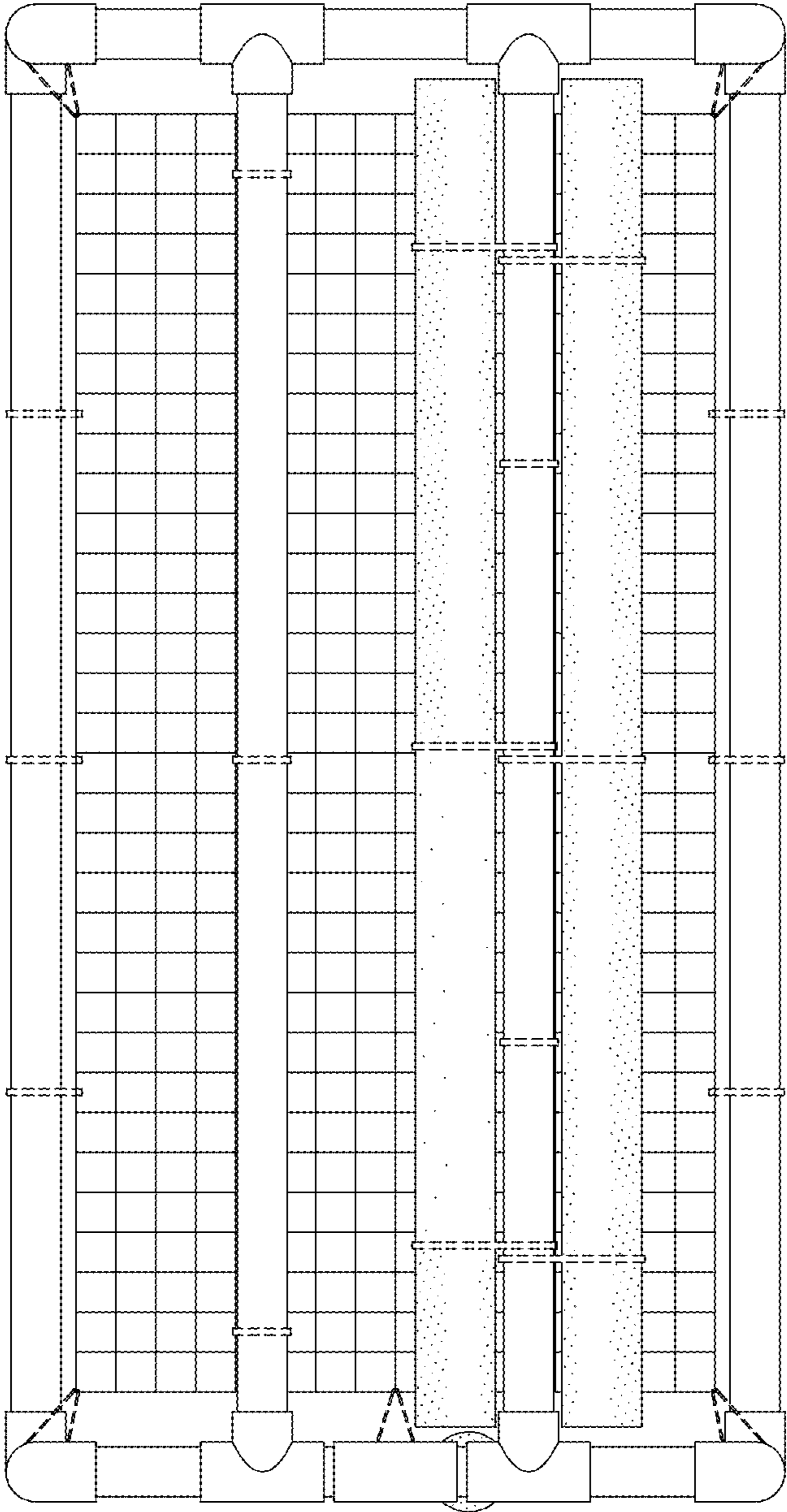


FIG. 7