



US00D911647S

(12) **United States Design Patent**  
**Sarabia**

(10) **Patent No.:** **US D911,647 S**

(45) **Date of Patent:** **\*\* Feb. 23, 2021**

(54) **ONION HOLDING GRILL CLEANER**

(71) Applicant: **Christian Sarabia**, Los Angeles, CA  
(US)

(72) Inventor: **Christian Sarabia**, Los Angeles, CA  
(US)

(\*\*) Term: **15 Years**

(21) Appl. No.: **29/703,315**

(22) Filed: **Aug. 26, 2019**

(51) **LOC (13) Cl.** ..... **07-05**

(52) **U.S. Cl.**  
USPC ..... **D32/46**

(58) **Field of Classification Search**  
USPC ..... D32/46, 49-52; D7/688  
CPC ..... A47L 13/10; A47L 13/12  
See application file for complete search history.

(56) **References Cited**

**U.S. PATENT DOCUMENTS**

- D321,962 S \* 11/1991 Roma ..... D32/49
- D324,747 S \* 3/1992 Rood ..... D32/46
- D502,001 S \* 2/2005 Hay ..... D32/41
- 6,966,094 B1 \* 11/2005 Rigakos ..... A47J 37/0786  
15/111
- 7,047,590 B2 \* 5/2006 Neal ..... A47J 37/0786  
15/111
- D523,601 S \* 6/2006 Veltrop ..... D32/49
- 7,275,278 B1 \* 10/2007 Martin ..... A47J 37/0786  
15/236.01
- D615,262 S \* 5/2010 Bunnag ..... D32/49
- 8,032,974 B2 \* 10/2011 Carpenter ..... A47L 13/34  
15/229.11
- 8,438,687 B2 \* 5/2013 Cybulski ..... A47J 37/0786  
15/111
- D715,506 S \* 10/2014 Binne ..... D32/46

- 9,210,993 B2 \* 12/2015 Gonzalez ..... A46B 7/04
- D750,336 S \* 2/2016 Taylor, III ..... D32/49
- D813,471 S \* 3/2018 Razgour ..... D30/159
- D832,588 S \* 11/2018 Zemel ..... D4/119
- D833,153 S \* 11/2018 Zemel ..... D4/118
- 2005/0011029 A1 \* 1/2005 Yu ..... A47L 13/12  
15/111
- 2005/0150070 A1 \* 7/2005 Persichina ..... B08B 1/00  
15/236.01
- 2006/0048328 A1 \* 3/2006 McIlree ..... A47J 43/288  
15/236.06
- 2019/0110642 A1 \* 4/2019 Thompson ..... A47J 43/288

**FOREIGN PATENT DOCUMENTS**

CN 305805909 \* 5/2020

\* cited by examiner

*Primary Examiner* — John R Yeh

(74) *Attorney, Agent, or Firm* — Fulwider Patton LLP

(57) **CLAIM**

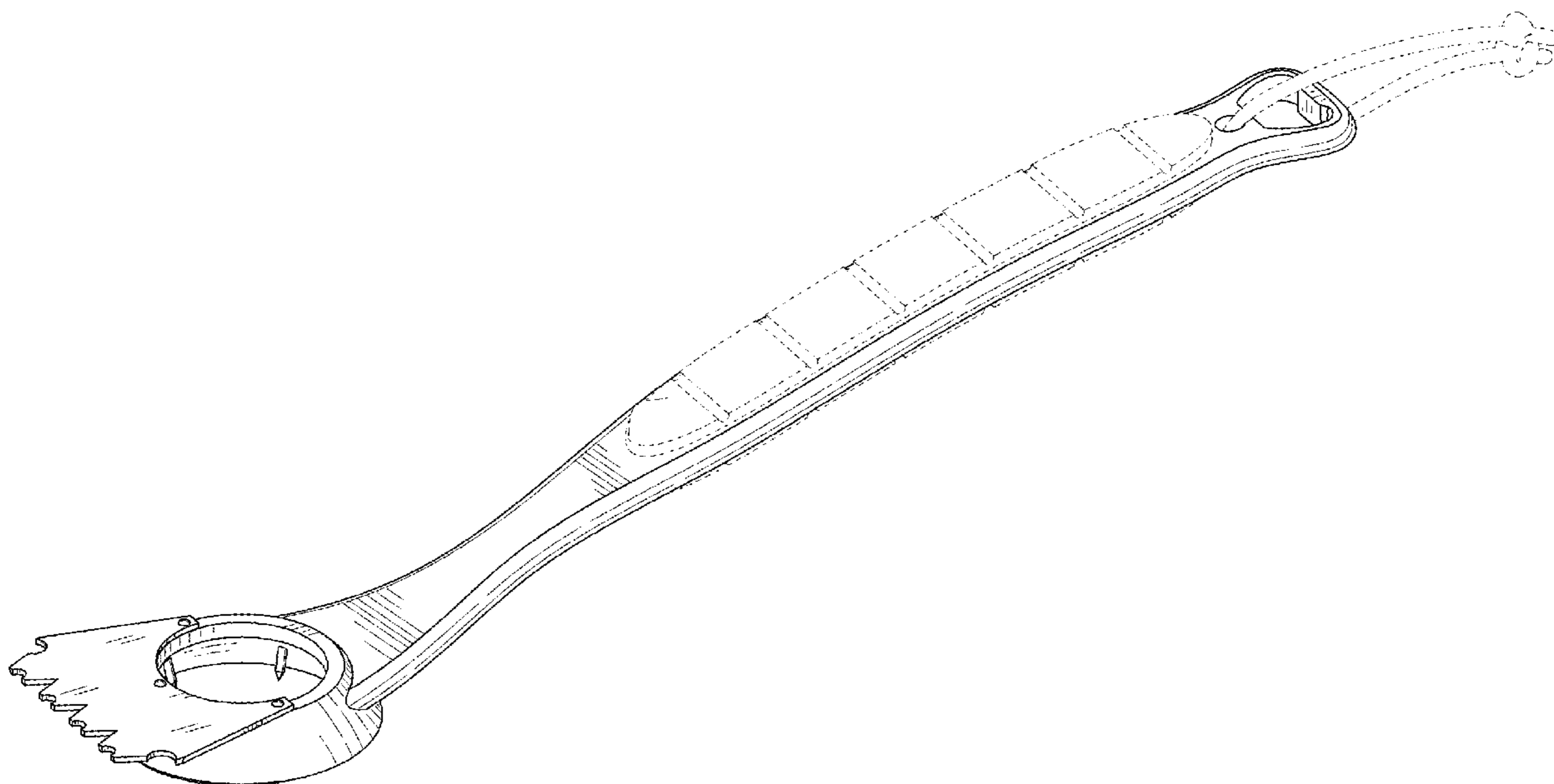
I, claim the ornamental design for a onion holding grill cleaner, as shown and described.

**DESCRIPTION**

FIG. 1 is a top perspective view of my new design for an onion holding grill cleaner;  
FIG. 2 is a bottom perspective view thereof;  
FIG. 3 is a top view thereof;  
FIG. 4 is a right side view thereof;  
FIG. 5 is a bottom view thereof;  
FIG. 6 is a left side view thereof;  
FIG. 7 is a front view thereof; and,  
FIG. 8 is a rear view thereof.

The broken lines represent portions of the grill cleaner which form no part of the claimed design.

**1 Claim, 4 Drawing Sheets**



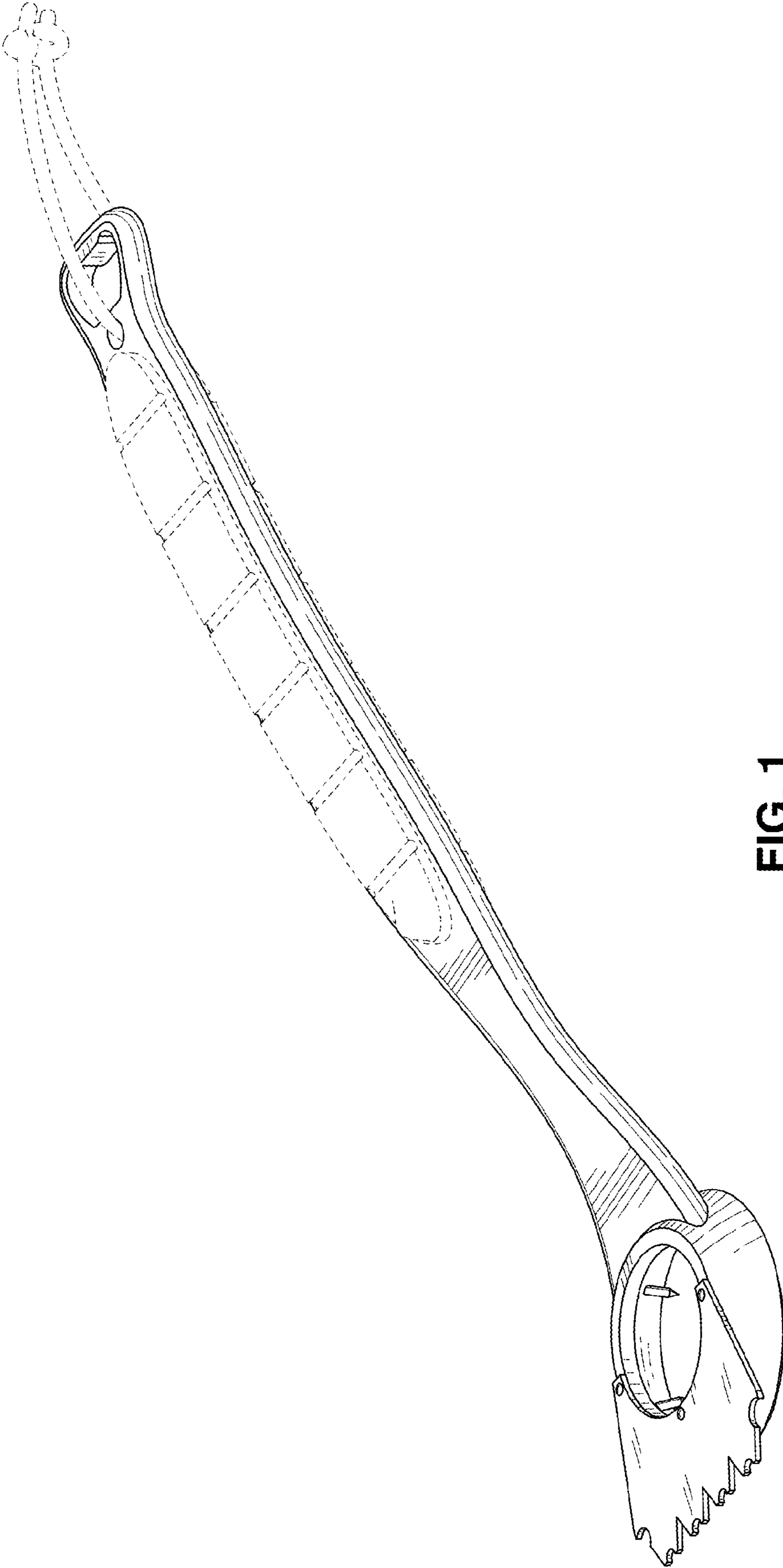


FIG. 1

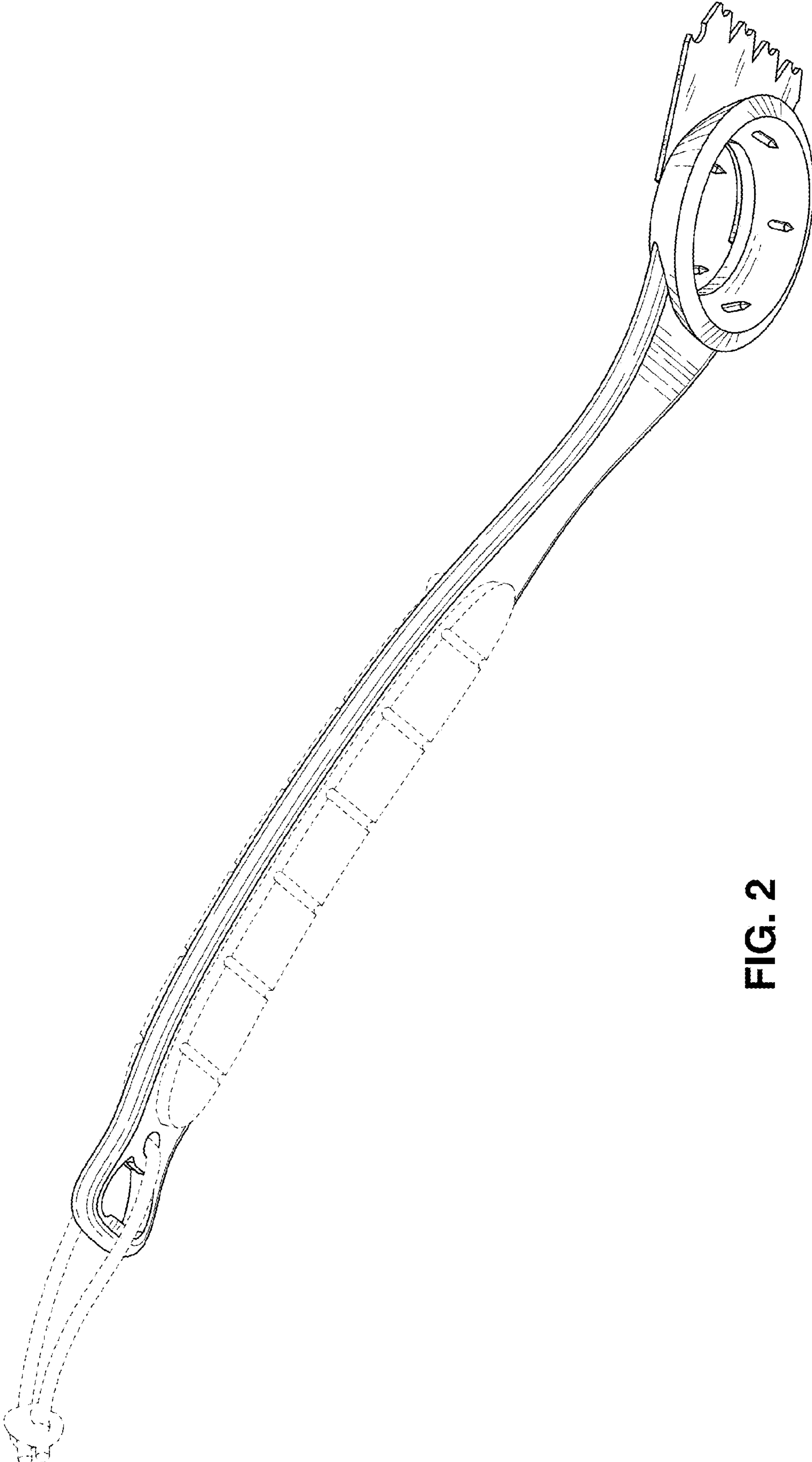


FIG. 2

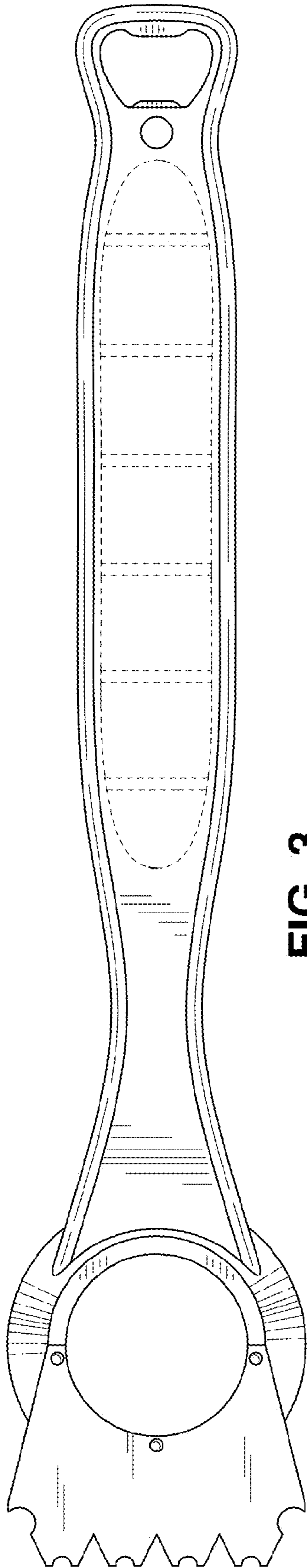


FIG. 3

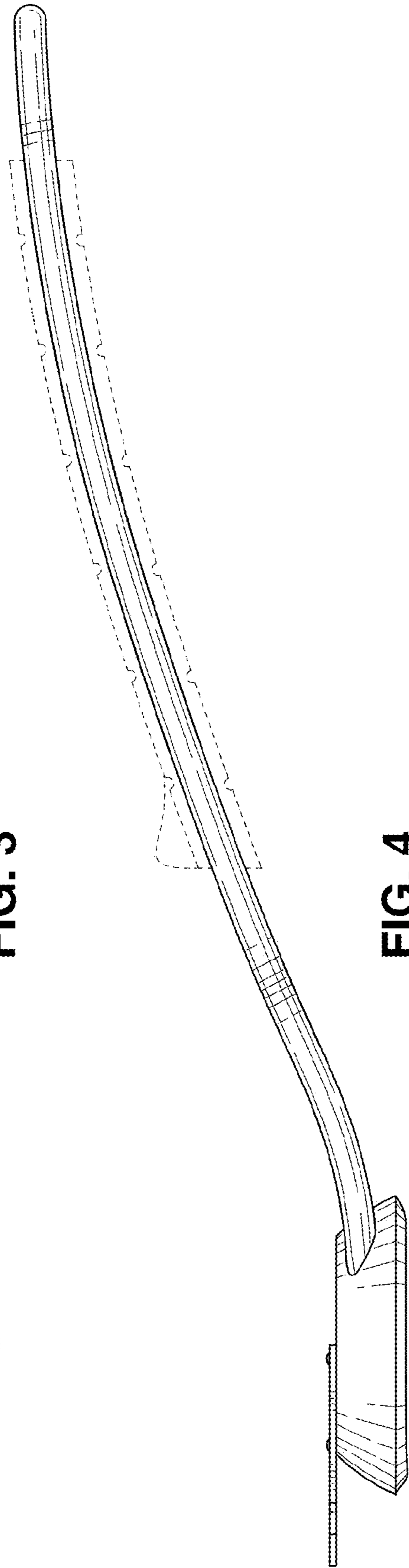


FIG. 4

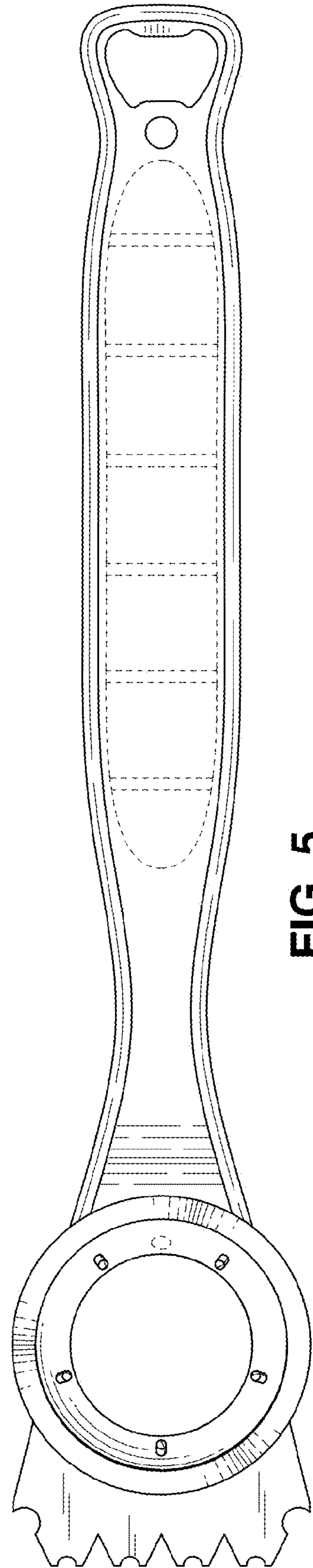


FIG. 5

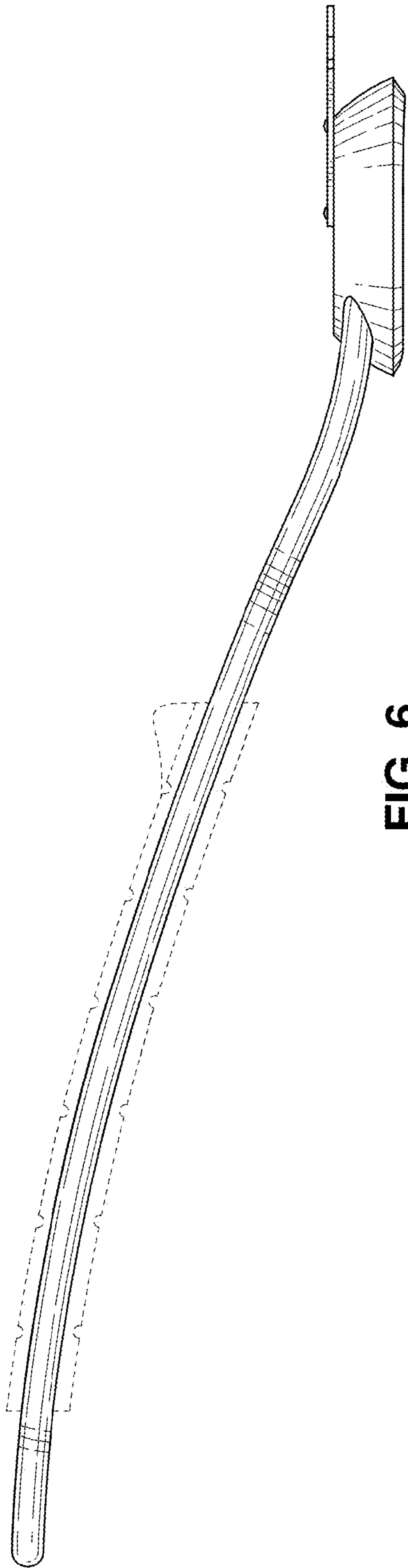


FIG. 6

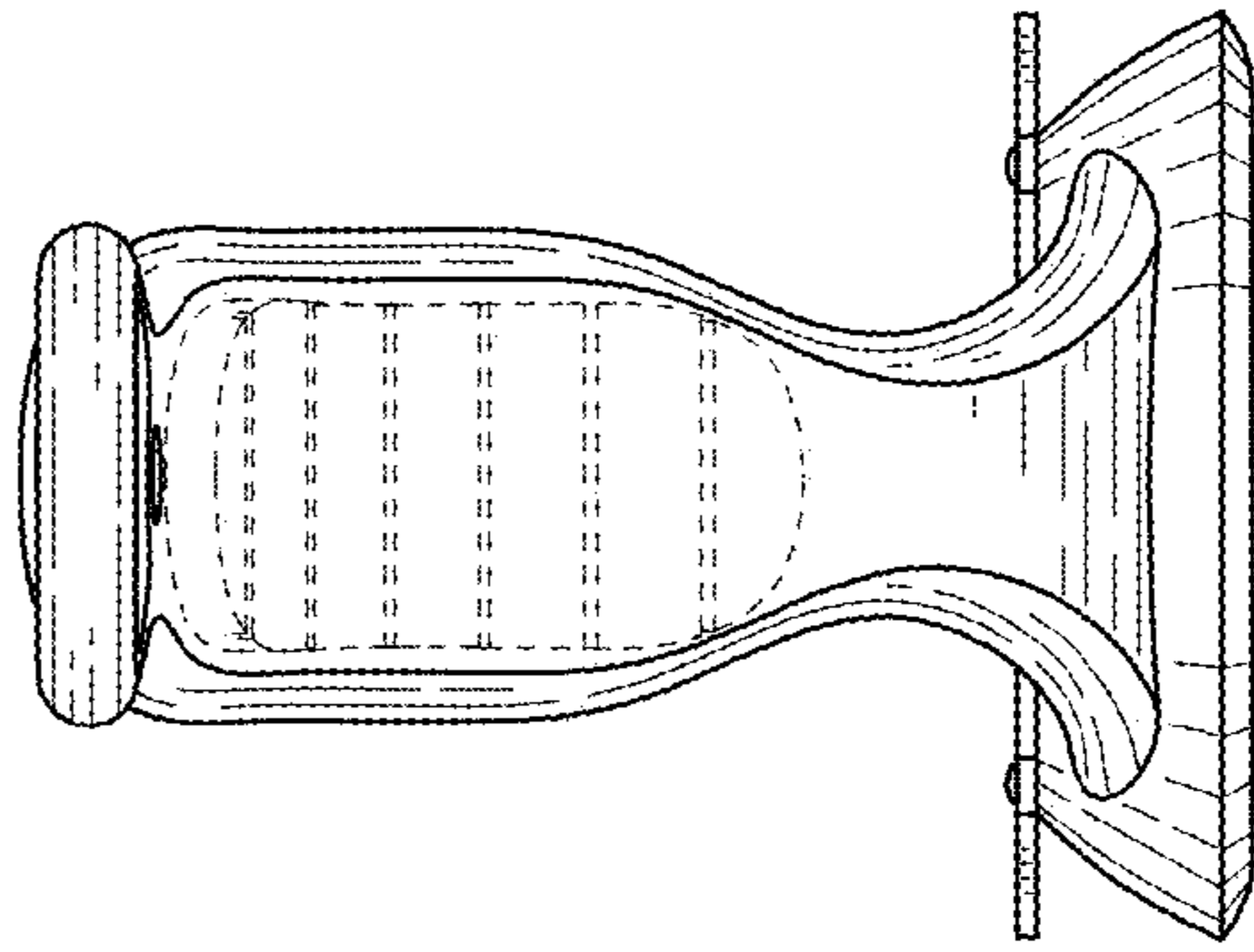


FIG. 8

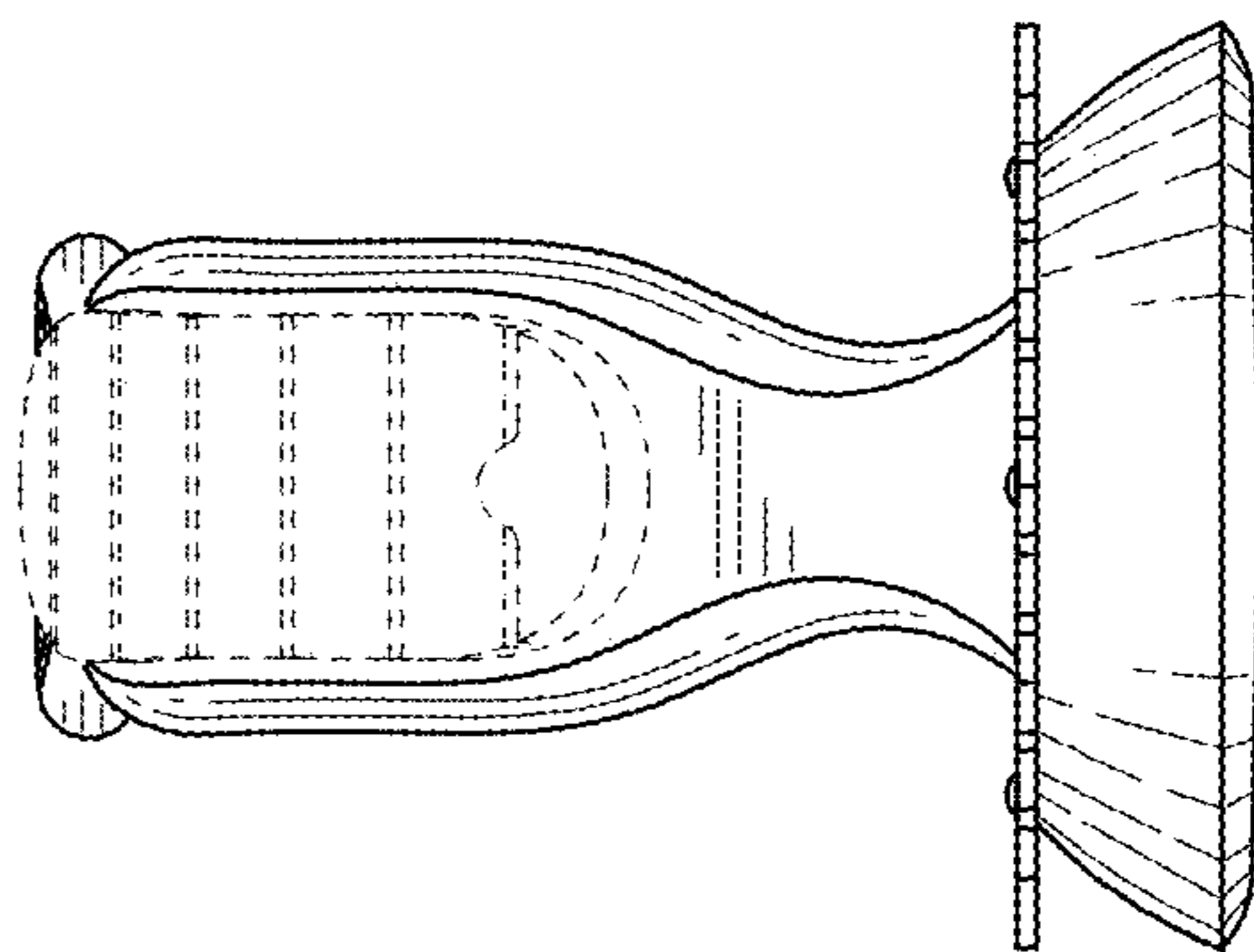


FIG. 7