



US00D911646S

(12) **United States Design Patent** (10) **Patent No.:** **US D911,646 S**  
**DeBeck** (45) **Date of Patent:** **\*\* Feb. 23, 2021**

(54) **CORDLESS SURFACE CLEANER** 2004/0211023 A1\* 10/2004 Streciwilk ..... A47L 9/04  
15/351  
(71) Applicant: **BISSELL INC.**, Grand Rapids, MI 2008/0172818 A1\* 7/2008 Yoo ..... A47L 9/0472  
(US) 15/246.3  
2008/0172822 A1\* 7/2008 Oh ..... A47L 9/04  
15/349  
(72) Inventor: **Tyler L. DeBeck**, Jenison, MI (US) 2018/0235425 A1\* 8/2018 Ding ..... A47L 11/161

(73) Assignee: **BISSELL Inc.**, Grand Rapids, MI (US)

(\*\*) Term: **15 Years**

(21) Appl. No.: **29/674,912**

(22) Filed: **Dec. 27, 2018**

(51) **LOC (13) Cl.** ..... **15-05**

(52) **U.S. Cl.**  
USPC ..... **D32/45**; D32/15

(58) **Field of Classification Search**  
USPC ..... D32/15, 38, 42, 44-45, 50-52  
CPC ..... A47L 9/04; A47L 5/00; A47L 7/00; B60P  
1/34  
See application file for complete search history.

(56) **References Cited**

**U.S. PATENT DOCUMENTS**

D518,935 S *	4/2006	Leitch .....	D32/50
D544,668 S *	6/2007	Harper .....	D32/51
D564,162 S *	3/2008	Cheng .....	D32/50
D583,118 S *	12/2008	Snyder .....	D32/51
D586,968 S *	2/2009	Libman .....	D32/52
D600,420 S *	9/2009	Dammkoehler .....	D32/38
D607,169 S *	12/2009	Weis .....	D32/40
D680,290 S *	4/2013	Hsiao .....	D32/50
D779,144 S *	2/2017	Layevsky .....	D32/50
D795,518 S *	8/2017	Chung .....	D32/45
D838,420 S *	1/2019	Khubani .....	D32/38
D840,623 S *	2/2019	Wang .....	D32/50
D855,271 S *	7/2019	Liang .....	D32/50
D866,898 S *	11/2019	Tao .....	D32/50
D882,898 S *	4/2020	Kim .....	D32/50

**FOREIGN PATENT DOCUMENTS**

CN 304806534 \* 9/2018  
JP D1608100 \* 7/2018

**OTHER PUBLICATIONS**

Bissell Spinwave QVC Video, Youtube date Aug. 29, 2017, site visited Dec. 18, 2020, <https://www.youtube.com/watch?v=5shopGrhToTl> (Year: 2017).\*

\* cited by examiner

*Primary Examiner* — John R Yeh

(74) *Attorney, Agent, or Firm* — McGarry Bair PC

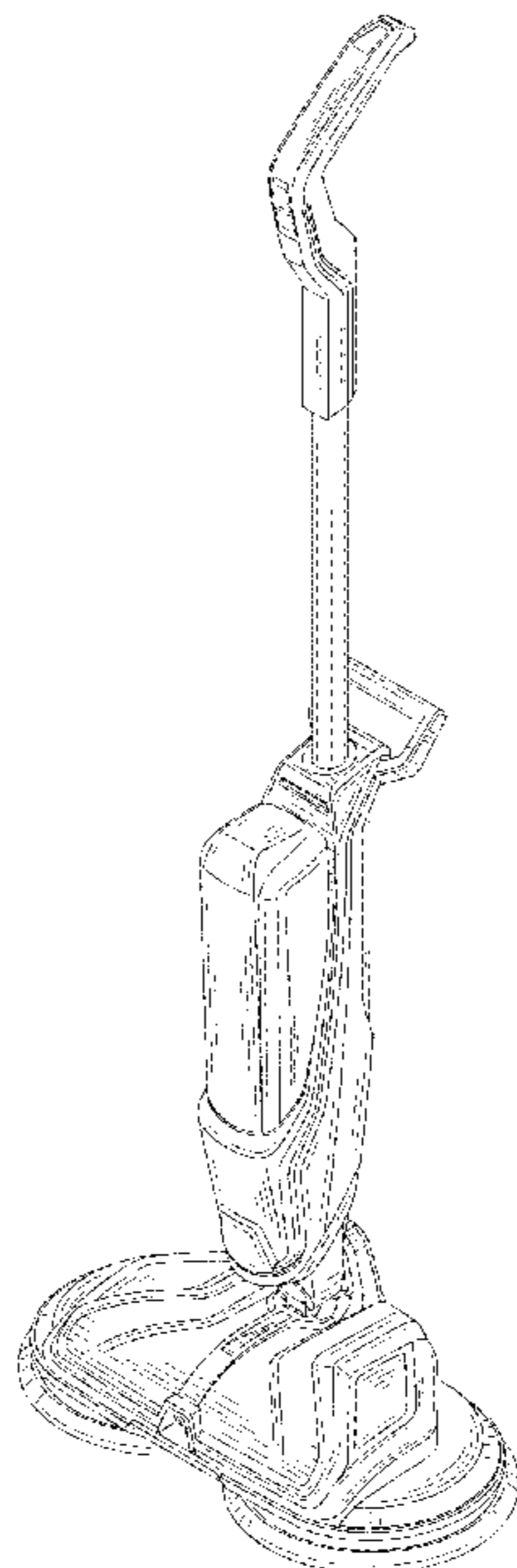
(57) **CLAIM**

The ornamental design for a cordless surface cleaner, as shown and described.

**DESCRIPTION**

FIG. 1 is a top, front, and right-side perspective view of a cordless surface cleaner showing our new design; FIG. 2 is a front view thereof; FIG. 3 is a right side view thereof; FIG. 4 is a left side view thereof; FIG. 5 is a top view thereof; and, FIG. 6 is a bottom view thereof. The broken lines in the drawings depict portions of the cordless surface cleaner that form no part of the claimed design.

**1 Claim, 4 Drawing Sheets**



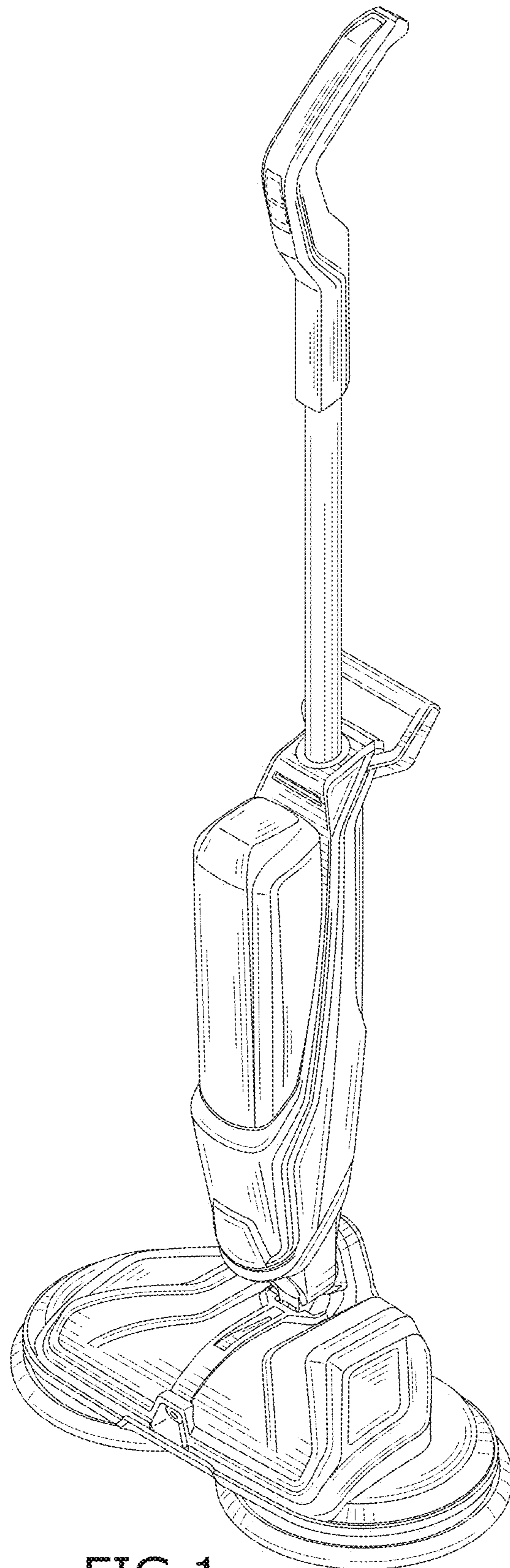


FIG. 1

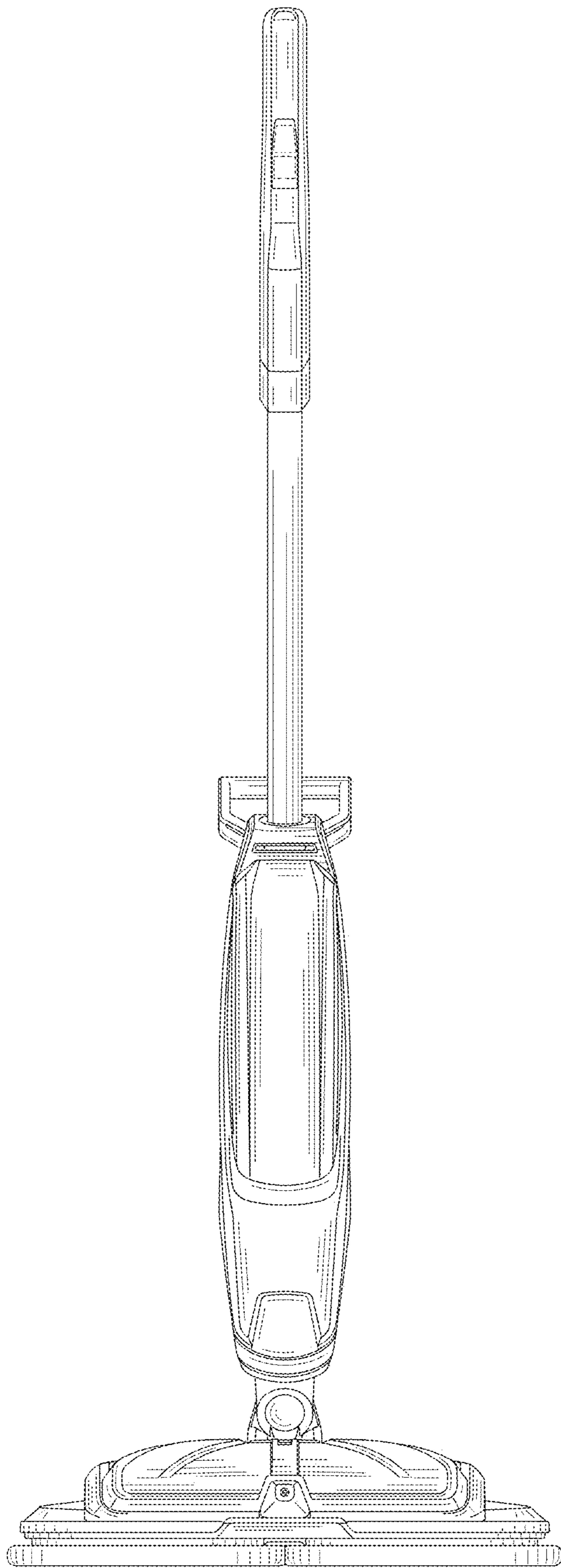


FIG. 2

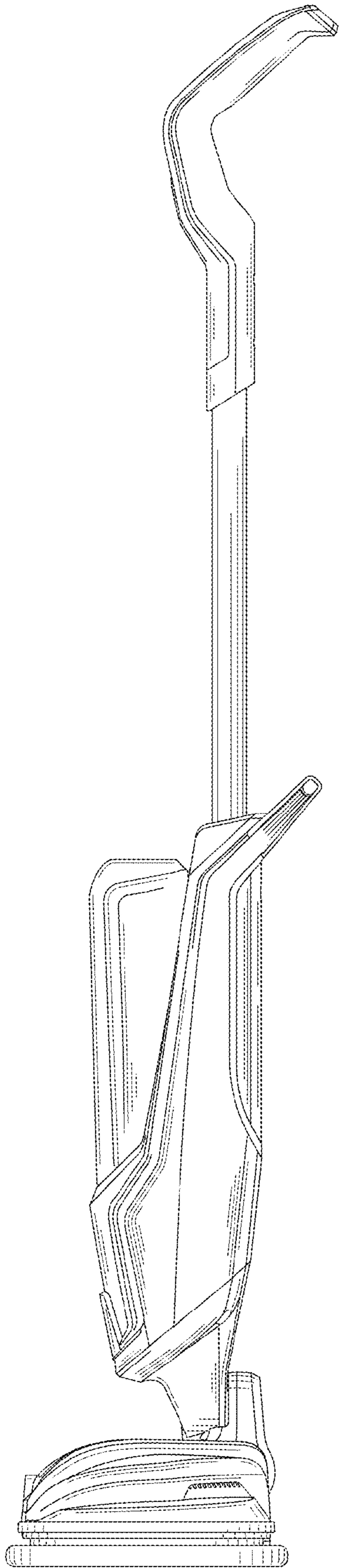


FIG. 3

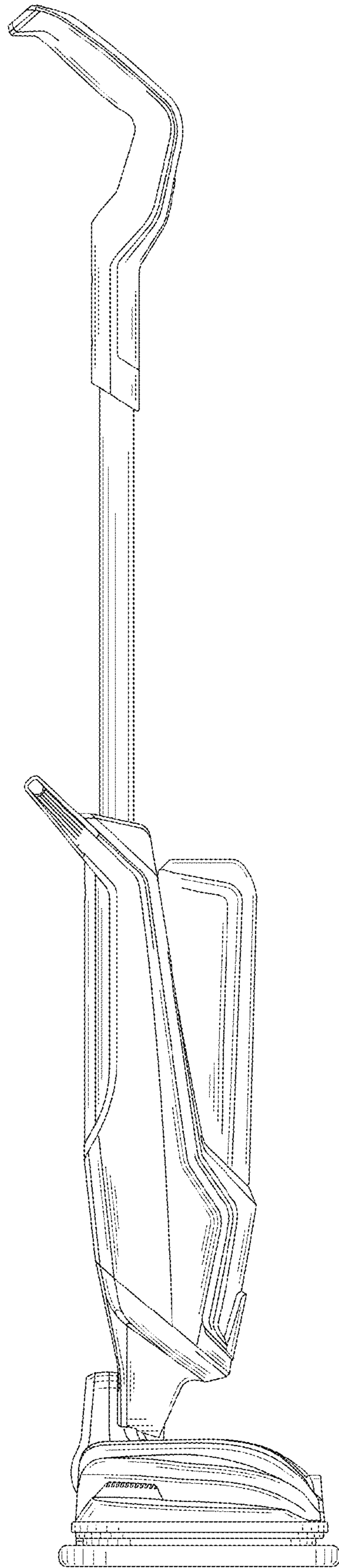


FIG. 4



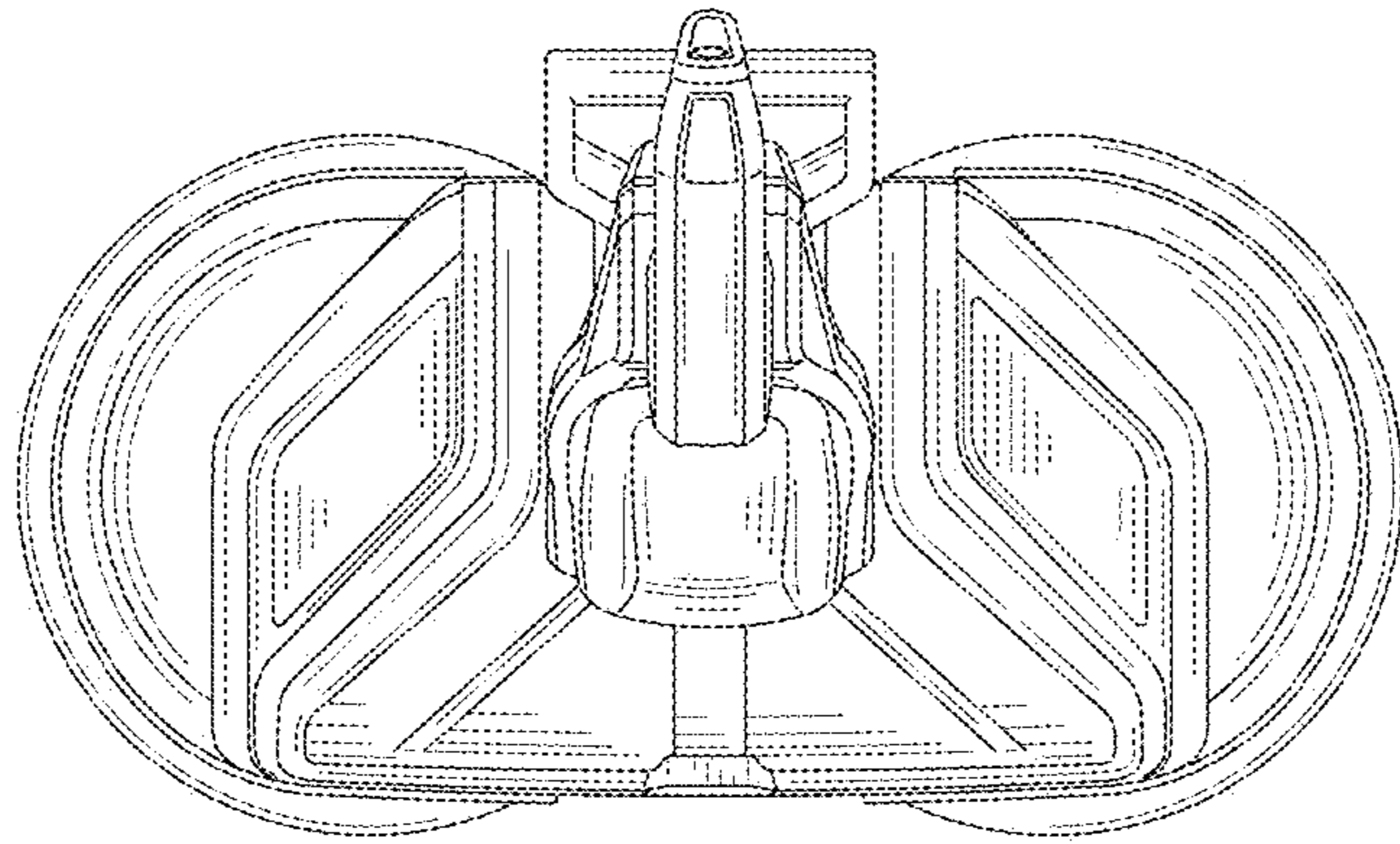


FIG. 5

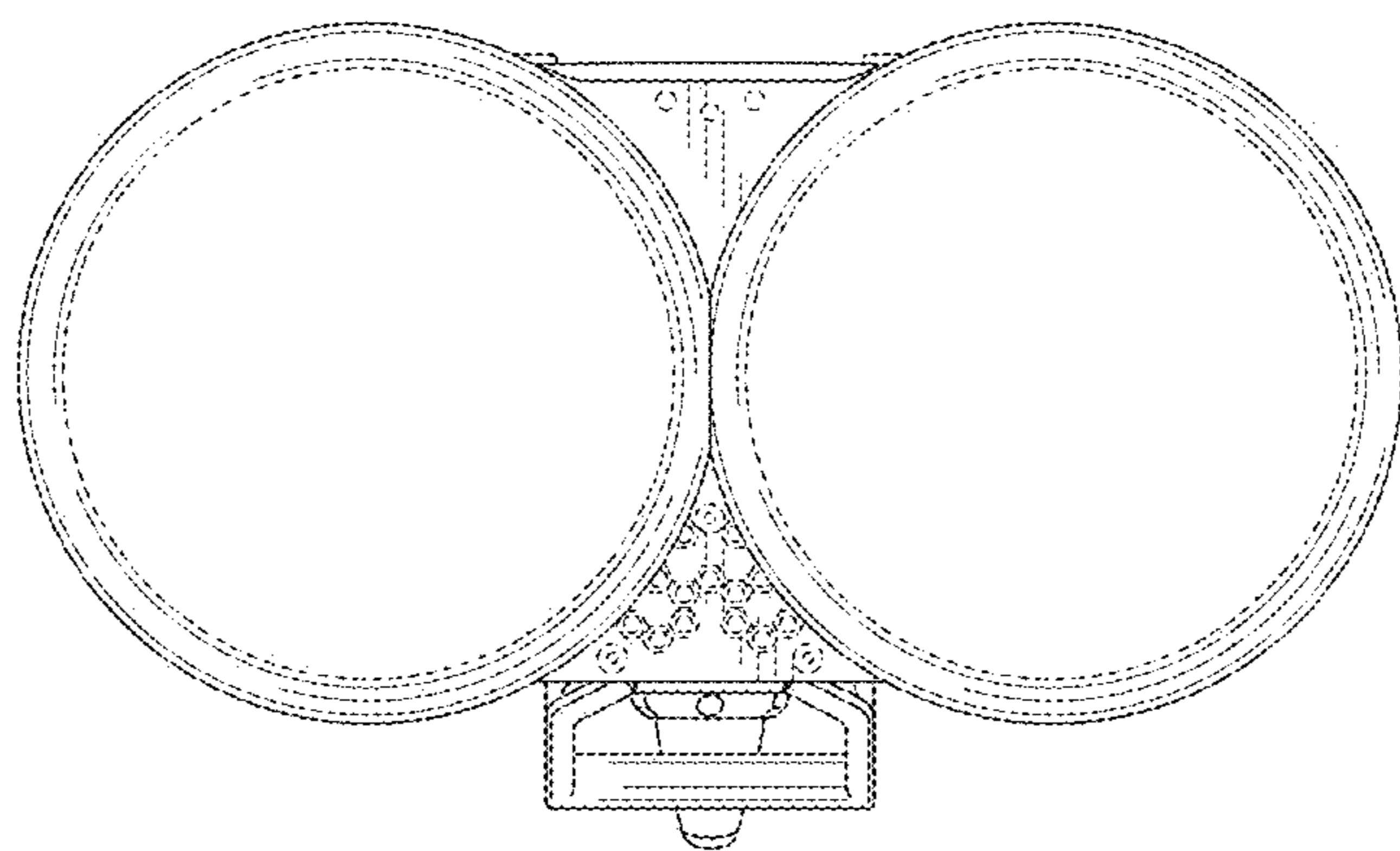


FIG. 6