



US00D911645S

(12) **United States Design Patent** (10) **Patent No.:** **US D911,645 S**
Clark et al. (45) **Date of Patent:** **** Feb. 23, 2021**

(54) **CLEANING TOOL**

D506,585 S * 6/2005 Muller D32/32
D541,494 S * 4/2007 Tsen D32/17
D590,111 S * 4/2009 Wiljanen D32/32

(71) Applicant: **TECHTRONIC CORDLESS GP,**
Anderson, SC (US)

(Continued)

(72) Inventors: **Gregory Clark,** Charlotte, NC (US);
Juan Aviles Quintero, Huntersville, NC
(US)

FOREIGN PATENT DOCUMENTS

DE 202004011639 U1 11/2004
JP 2009066341 A 4/2009

(73) Assignee: **Techtronic Cordless GP,** Anderson, SC
(US)

OTHER PUBLICATIONS

(**) Term: **15 Years**

Shop Vac Grooming Tool <https://www.amazon.com/dp/B004BDOQDE?tag=vacguides-20&linkCode=ogi&th=1&psc=1> (Year: 2020).*

(21) Appl. No.: **29/705,847**

(Continued)

(22) Filed: **Sep. 16, 2019**

Primary Examiner — Michelle E. Wilson

(51) **LOC (13) Cl.** **15-05**

Assistant Examiner — Richard E Yenchesky

(52) **U.S. Cl.**

(74) *Attorney, Agent, or Firm* — Michael Best & Friedrich LLP

USPC **D32/32**

(58) **Field of Classification Search**

USPC D14/426; D4/114, 121, 138; D30/158;
D32/17, 32, 33, 35

CPC A47L 11/34; A47L 9/0027; D06F 75/30;
A46B 15/0022; A01K 13/002

See application file for complete search history.

(57) **CLAIM**

We claim the ornamental design for a cleaning tool, as shown.

(56) **References Cited**

DESCRIPTION

U.S. PATENT DOCUMENTS

D266,962 S * 11/1982 Hachtmann D32/33
5,502,873 A * 4/1996 Hogan A01K 13/002
15/393
D389,618 S * 1/1998 Rosen D30/158
5,768,747 A * 6/1998 Smith A01K 13/002
15/400
5,826,300 A * 10/1998 Smith A01K 13/002
15/402
D444,925 S * 7/2001 Monette D30/158
D460,272 S * 7/2002 Fong D4/138
D473,987 S * 4/2003 Foersterling D32/35
D476,160 S * 6/2003 Choi D4/121
6,668,758 B1 * 12/2003 Davis, Jr. A01K 13/002
119/608

FIG. 1 is a perspective view of a cleaning tool, showing our new design;

FIG. 2 is a front side view thereof;

FIG. 3 is a back side view thereof;

FIG. 4 is a left side view thereof;

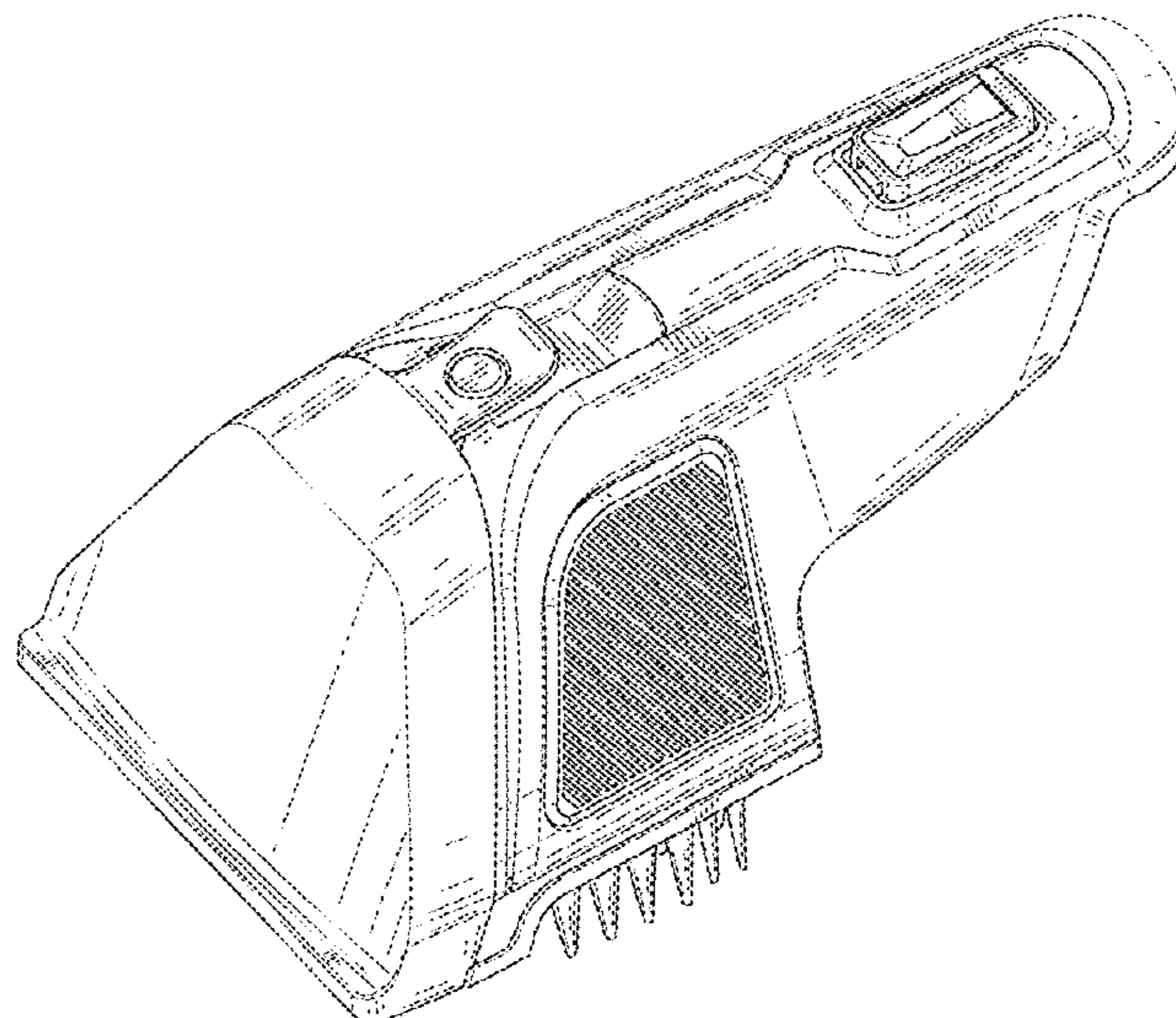
FIG. 5 is a right side view thereof;

FIG. 6 is a top side view thereof; and,

FIG. 7 is a bottom side view thereof.

Any elements shown in broken lines form no part of the claimed design and are included for the purpose of showing the environment of the claimed design. Any broken lines having unequal line segments indicate the boundary of the claimed design.

1 Claim, 6 Drawing Sheets



(56)

References Cited

U.S. PATENT DOCUMENTS

D590,112	S *	4/2009	Sun	D32/32
D590,157	S *	4/2009	Martin	D4/136
D595,964	S *	7/2009	Choi	D32/35
D596,362	S *	7/2009	Crevling, Jr.	D32/33
D601,807	S *	10/2009	Choi	D4/114
D621,567	S *	8/2010	Crawley	D32/33
D674,978	S *	1/2013	Hill	D32/32
8,347,457	B2	1/2013	Dyson et al.		
8,353,077	B2	1/2013	Dyson et al.		
8,375,510	B2	2/2013	Dyson et al.		
8,375,511	B2	2/2013	Dyson et al.		
D801,598	S *	10/2017	Urso	D30/158
D801,606	S *	10/2017	Mikula	D32/32
D831,905	S *	10/2018	Benacquisto	D30/158
D860,994	S *	9/2019	Wingate	D14/426
D860,995	S *	9/2019	Wingate	D14/426
D896,456	S *	9/2020	Doucette, Jr.	D32/32
2002/0096125	A1 *	7/2002	Fong	A46B 15/0022
					119/664
2011/0259281	A1 *	10/2011	Mak	A01K 13/002
					119/631
2013/0318741	A1 *	12/2013	Moyher, Jr.	A47L 9/0027
					15/327.1
2015/0354128	A1 *	12/2015	Choo	A47L 11/34
					68/222
2016/0053430	A1 *	2/2016	Chua	D06F 75/30
					68/5 A

OTHER PUBLICATIONS

Anbo Pet Hair Brush <https://www.amazon.com/ANBOO-Grooming-Attachment-Univesal-Accessories/dp/B07DK8QYB2> (Year: 2020).*

* cited by examiner

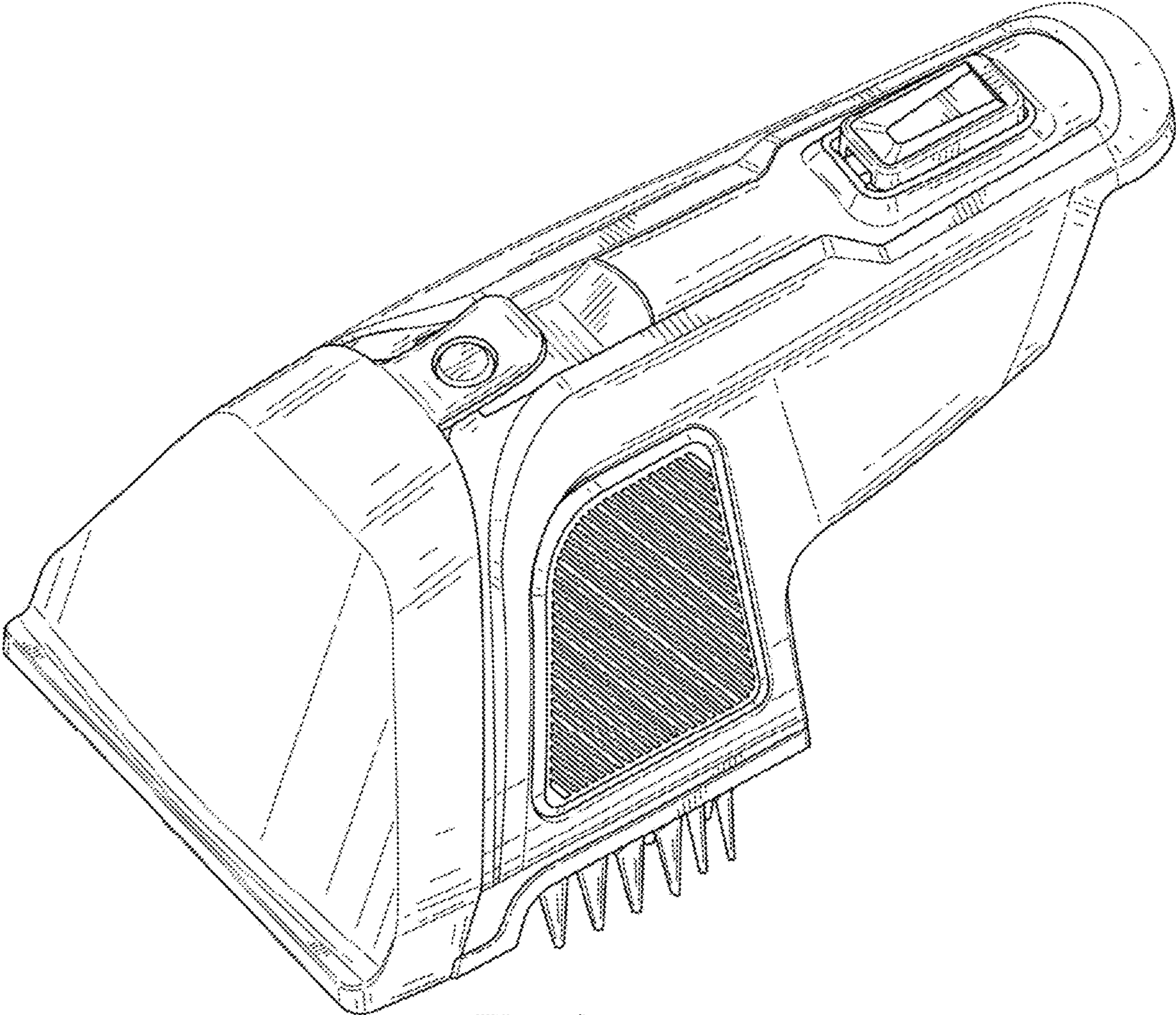


Fig. 1

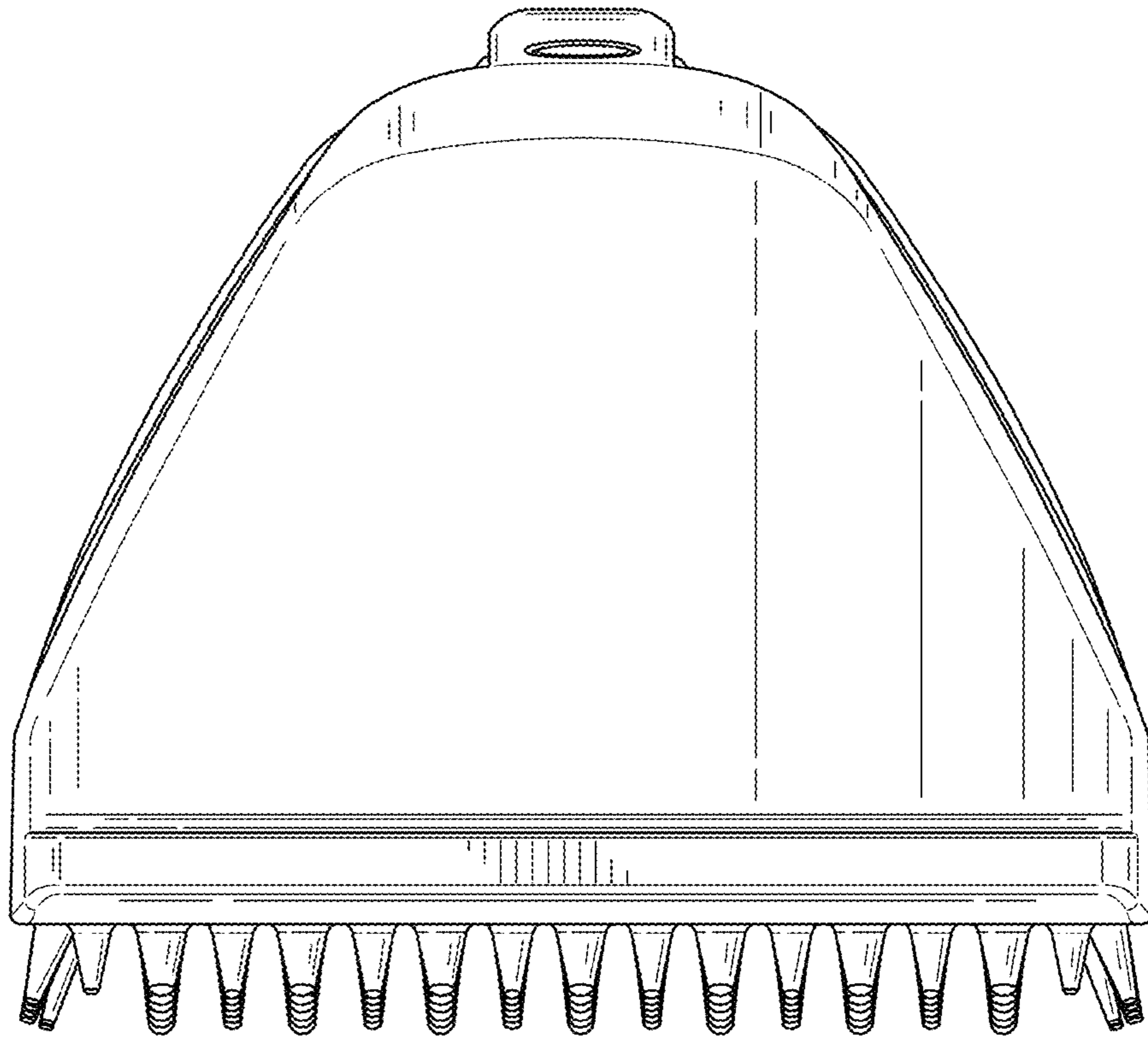


Fig. 2

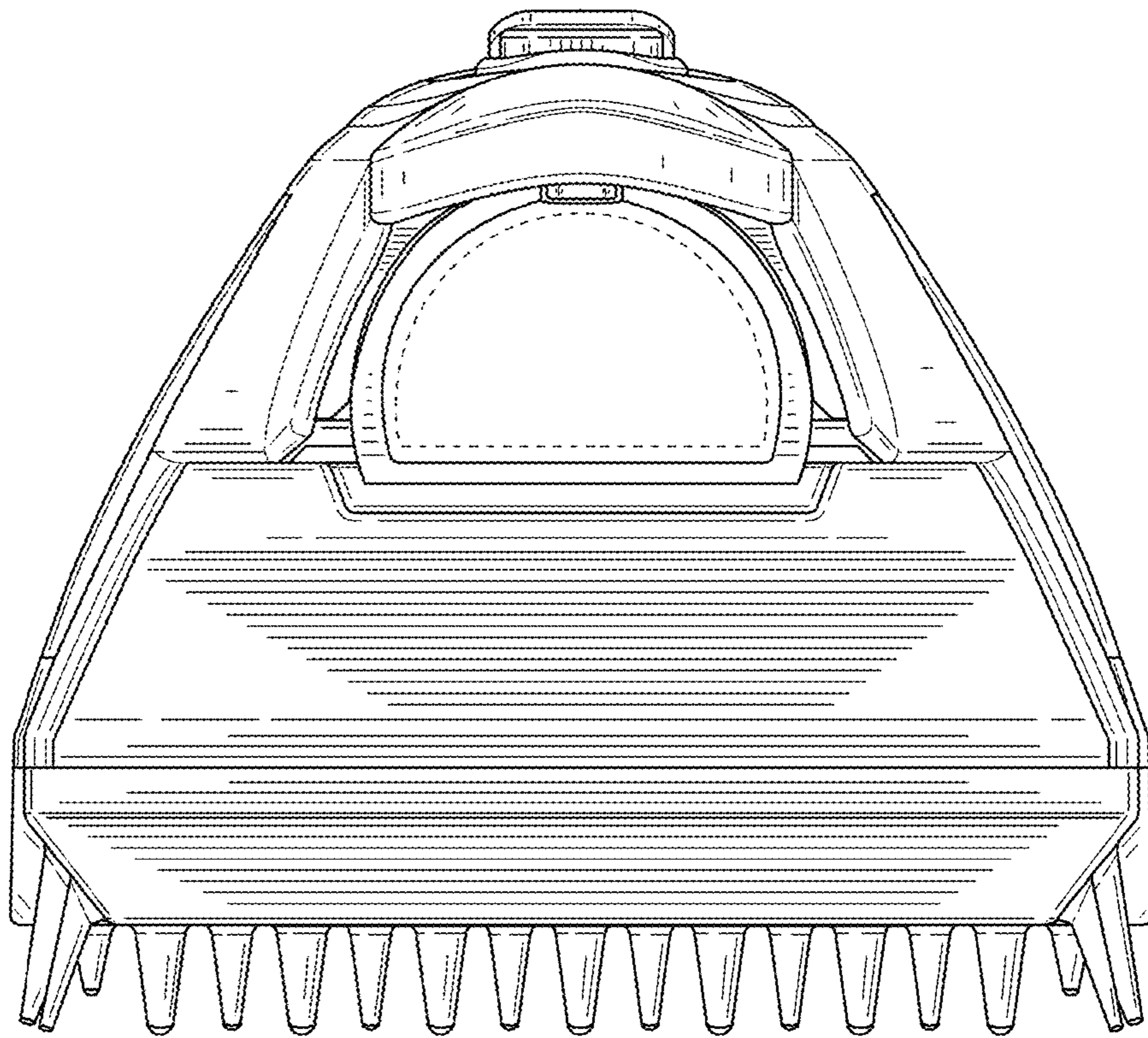


Fig. 3

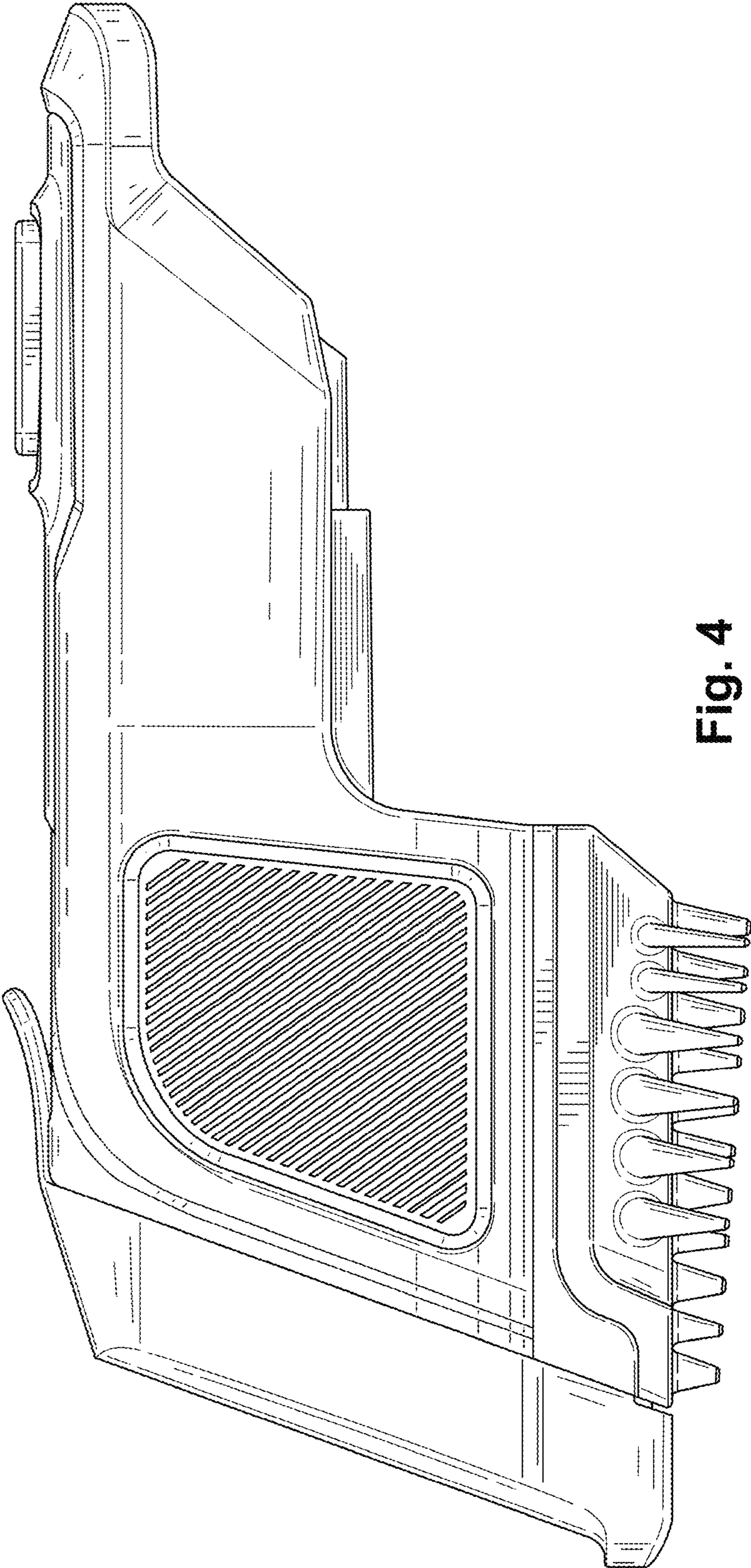


Fig. 4

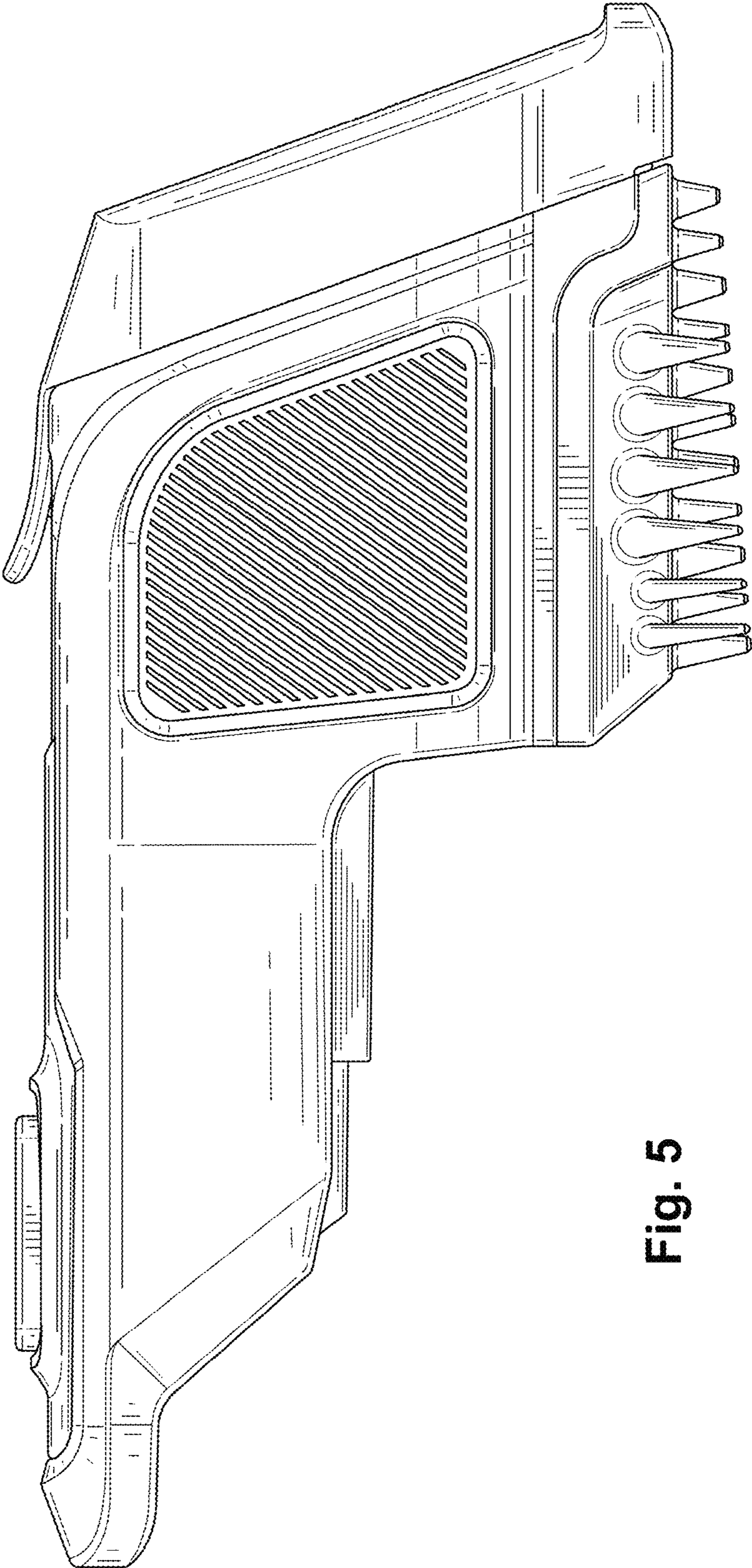


Fig. 5

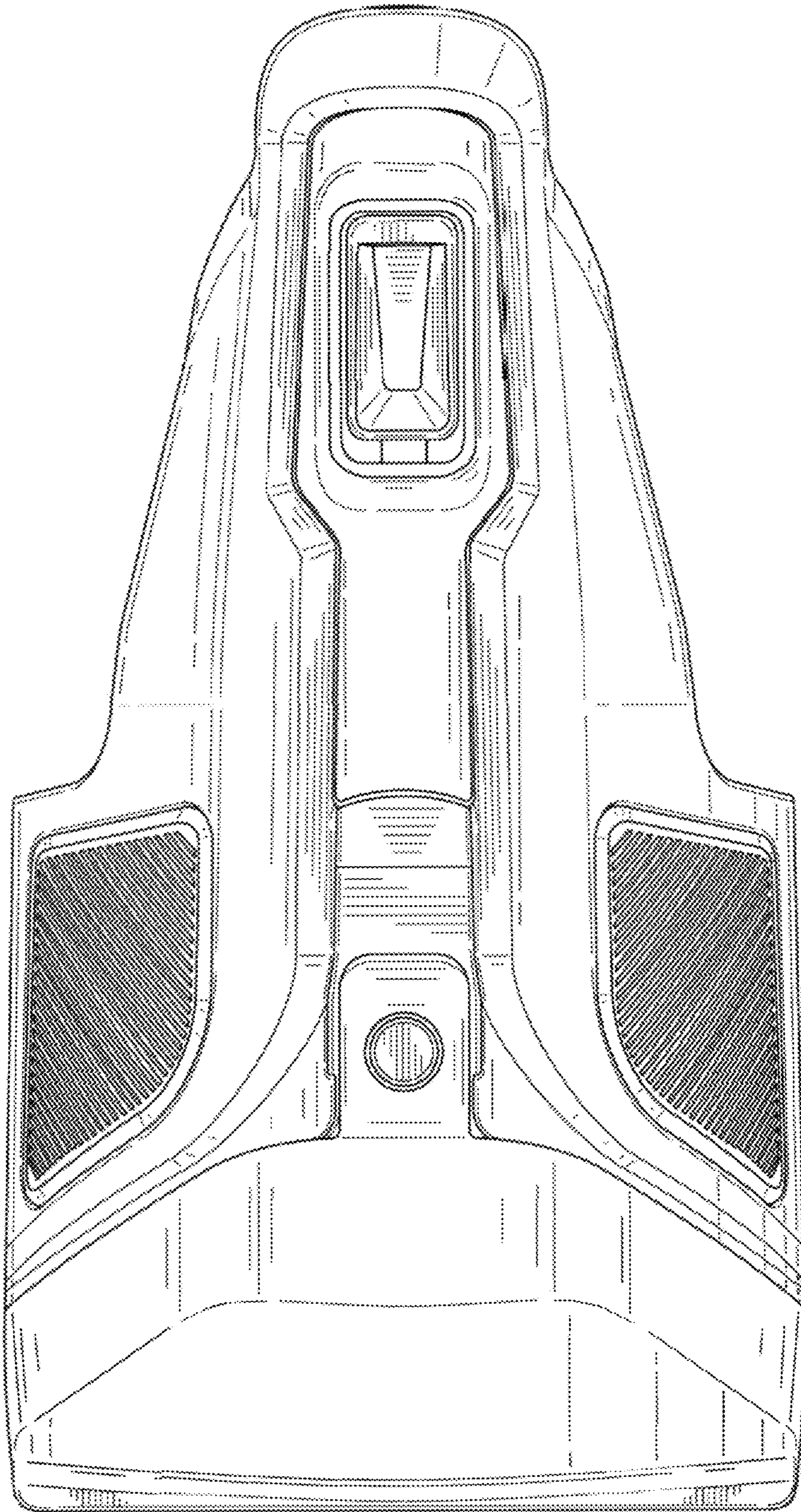


Fig. 6

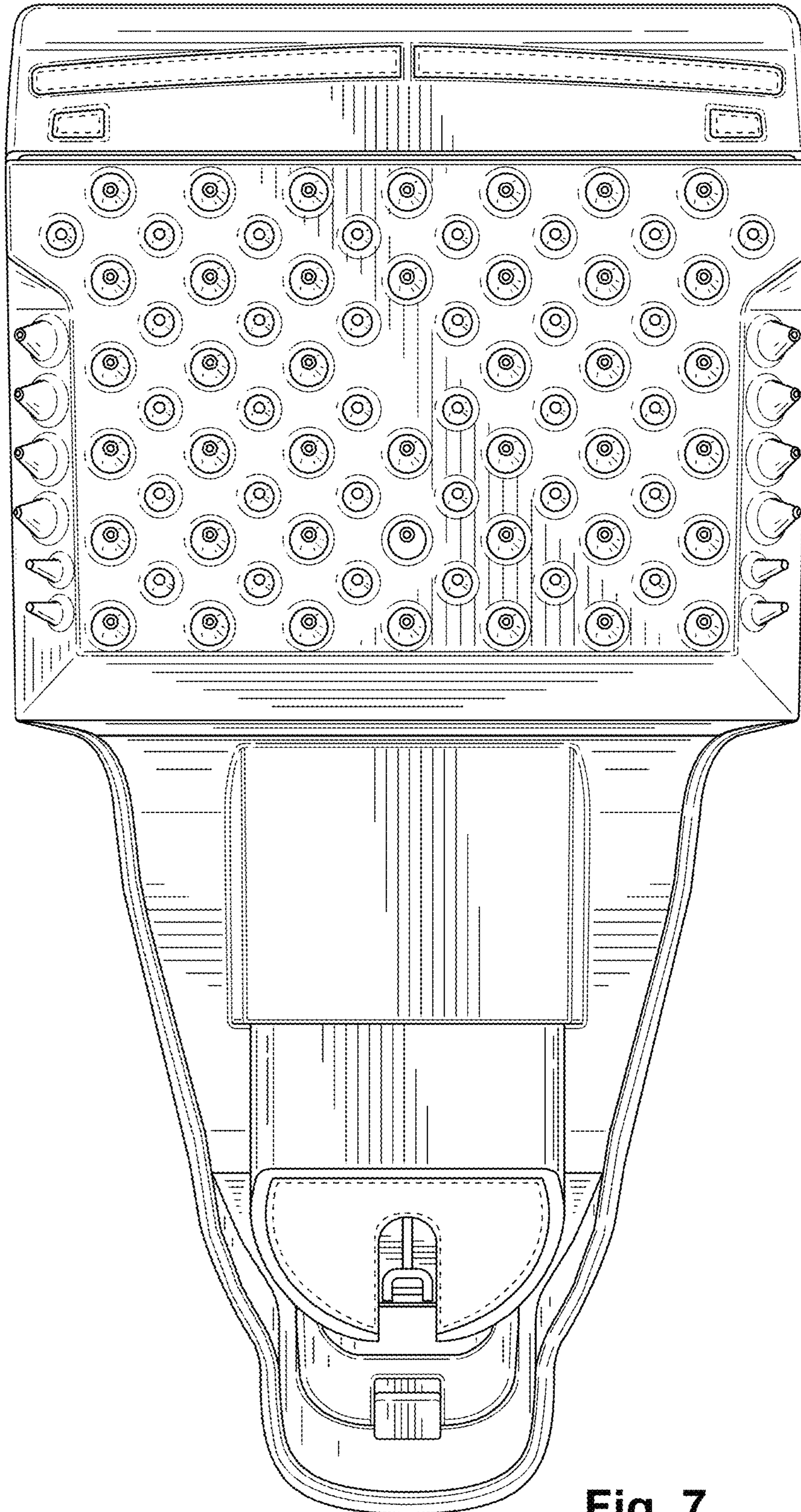


Fig. 7