



US00D911643S

(12) **United States Design Patent**
Miller et al.

(10) **Patent No.:** **US D911,643 S**

(45) **Date of Patent:** **** Feb. 23, 2021**

(54) **TRAY FOR A MULTI-SURFACE VACUUM CLEANER**

(71) Applicant: **BISSELL Inc.**, Grand Rapids, MI (US)

(72) Inventors: **David M. Miller**, Zeeland, MI (US);
Jing Yang, Zhongshan (CN); **Suka Chen**, Xingning (CN)

(73) Assignee: **BISSELL Inc.**, Grand Rapids, MI (US)

(**) Term: **15 Years**

(21) Appl. No.: **29/680,294**

(22) Filed: **Feb. 14, 2019**

(51) **LOC (13) Cl.** **15-05**

(52) **U.S. Cl.**
USPC **D32/31**

(58) **Field of Classification Search**
USPC D10/2; D13/108; D14/217, 224, 434;
D32/18, 22, 25, 29.1, 31, 33
CPC . A47L 9/32; A47L 9/325; A47L 9/327; A47L
9/20; A47L 9/0009; A47L 9/0054; A47L
9/0063; A47L 5/28; A47L 5/30; A47L
5/34

See application file for complete search history.

(56) **References Cited**

U.S. PATENT DOCUMENTS

D306,225 S *	2/1990	Correa	D32/22
D348,548 S *	7/1994	Pino	D32/18
D535,615 S *	1/2007	Iwai	D13/108
D628,961 S *	12/2010	Kim	D13/108
D636,726 S *	4/2011	Hiramura	D13/108
D645,403 S *	9/2011	Seo	D13/108
D663,497 S *	7/2012	Ha	D32/29.1
D698,310 S *	1/2014	Yun	D13/108
D702,665 S *	4/2014	Kim	D14/217
D704,628 S *	5/2014	Tajik	D13/108
D719,309 S *	12/2014	Ashbee	D32/33

D742,885 S *	11/2015	Chen	D14/434
D759,588 S *	6/2016	De Klein	D13/108
D782,411 S *	3/2017	Mischke	D13/108
D797,669 S *	9/2017	Chang	D13/108
D809,232 S *	1/2018	Wu	D32/31
D810,014 S *	2/2018	Haranaka	D13/108
D835,611 S *	12/2018	Yun	D14/224
D847,739 S *	5/2019	Yun	D13/108
D847,740 S *	5/2019	Yamanouchi	D13/108
D872,954 S *	1/2020	Rummel	D32/25
D876,442 S *	2/2020	McCracken	H04R 5/04 D14/434
D881,022 S *	4/2020	Long	D10/2

OTHER PUBLICATIONS

<https://www.bissell.com/3-in-1-docking-station-crosswave-cordless-1618454.html> (Year: 2020).*

<https://www.bissell.com/charging-base-for-bolt-cordless-stick-vacuum-1610367.html> (Year: 2020).*

* cited by examiner

Primary Examiner — Michelle E. Wilson

Assistant Examiner — Richard E Yenchesky

(74) *Attorney, Agent, or Firm* — Warner Norcross + Judd LLP

(57) **CLAIM**

The ornamental design for a tray for a multi-surface vacuum cleaner, as shown and described.

DESCRIPTION

FIG. 1 is a front perspective view of a tray for a multi-surface vacuum cleaner showing our new design;

FIG. 2 is a front view thereof;

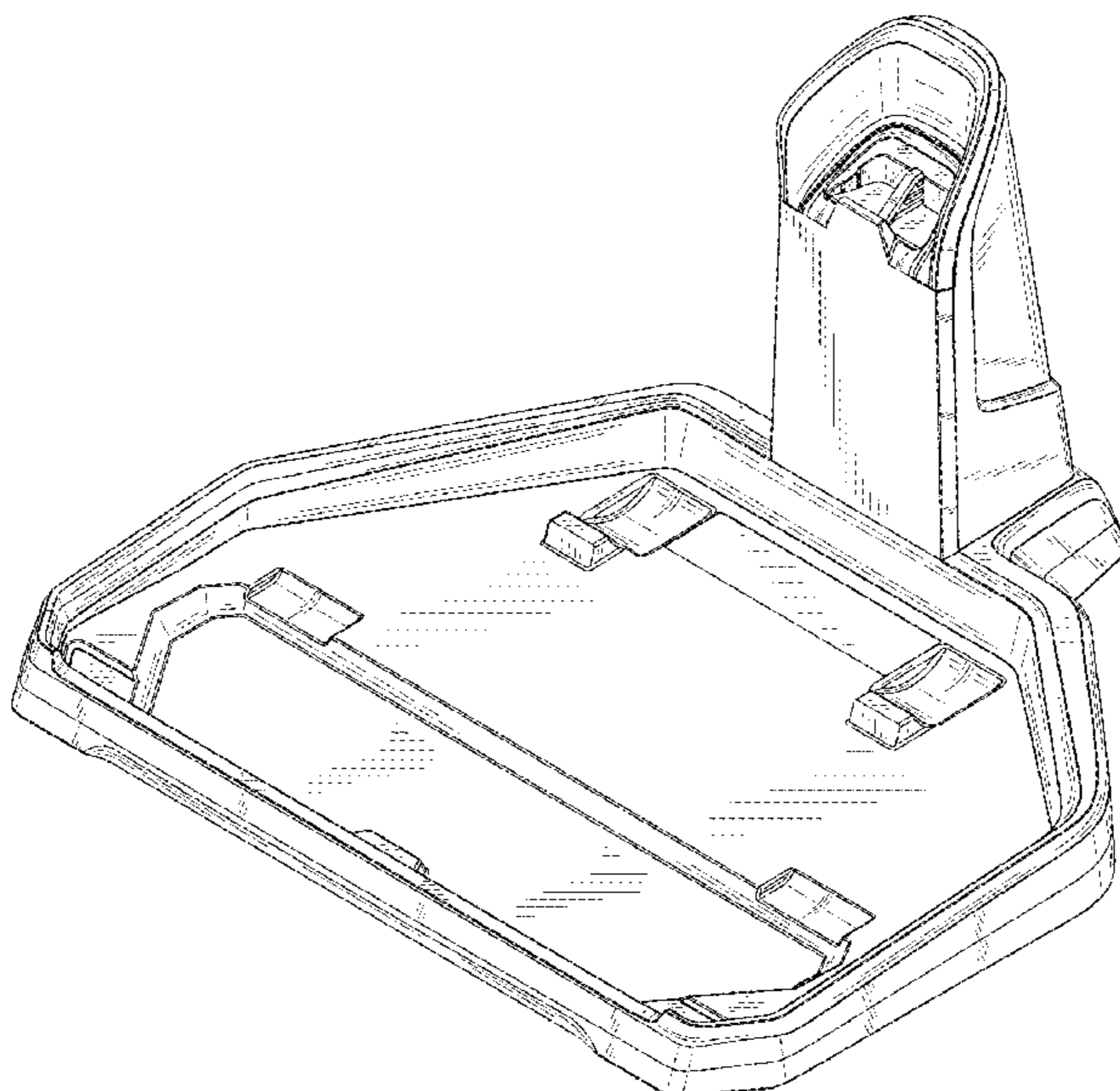
FIG. 3 is a rear view thereof;

FIG. 4 is a right side view thereof;

FIG. 5 is a left side view thereof; and,

FIG. 6 is a top view thereof.

1 Claim, 6 Drawing Sheets



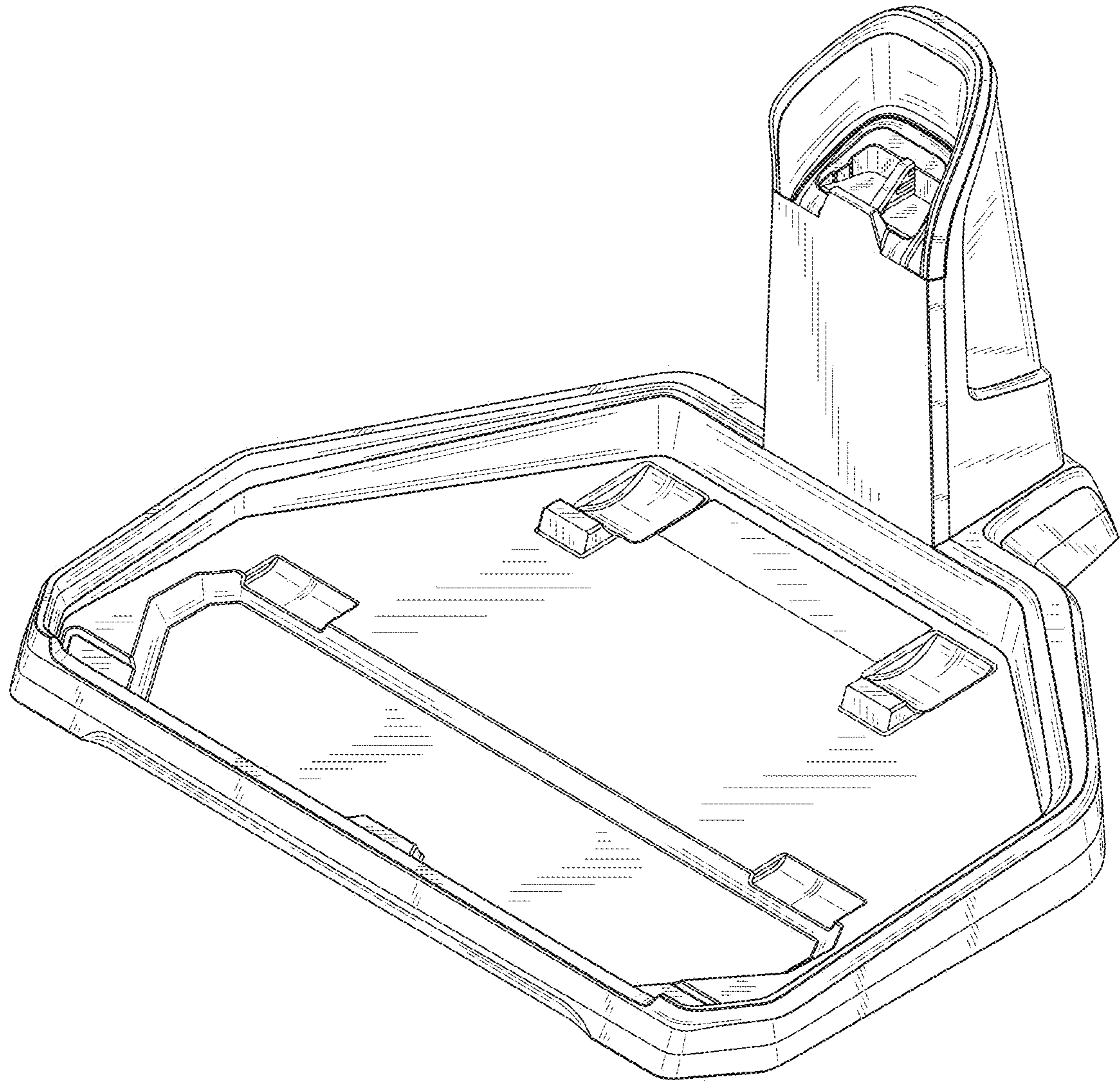


FIG. 1

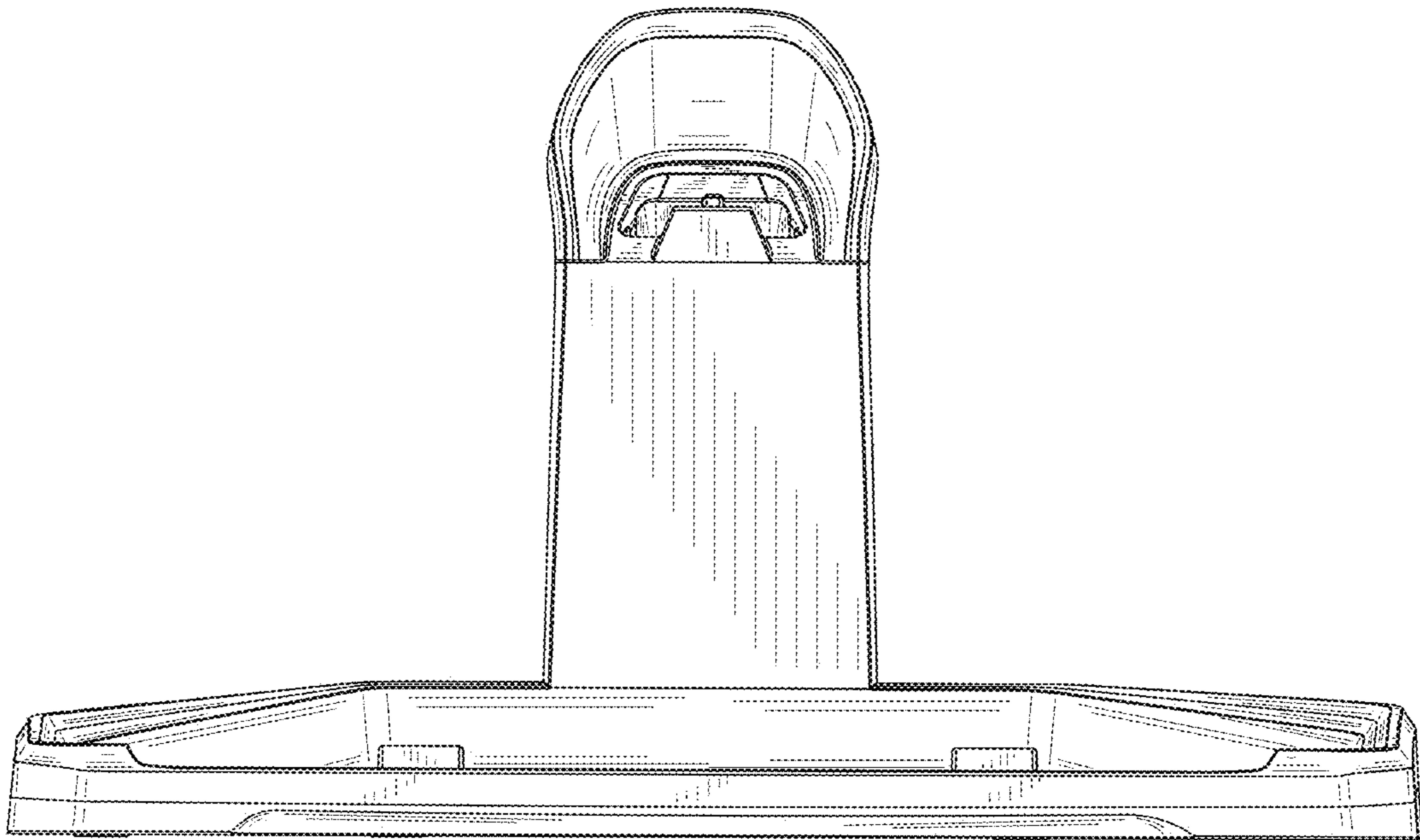


FIG. 2

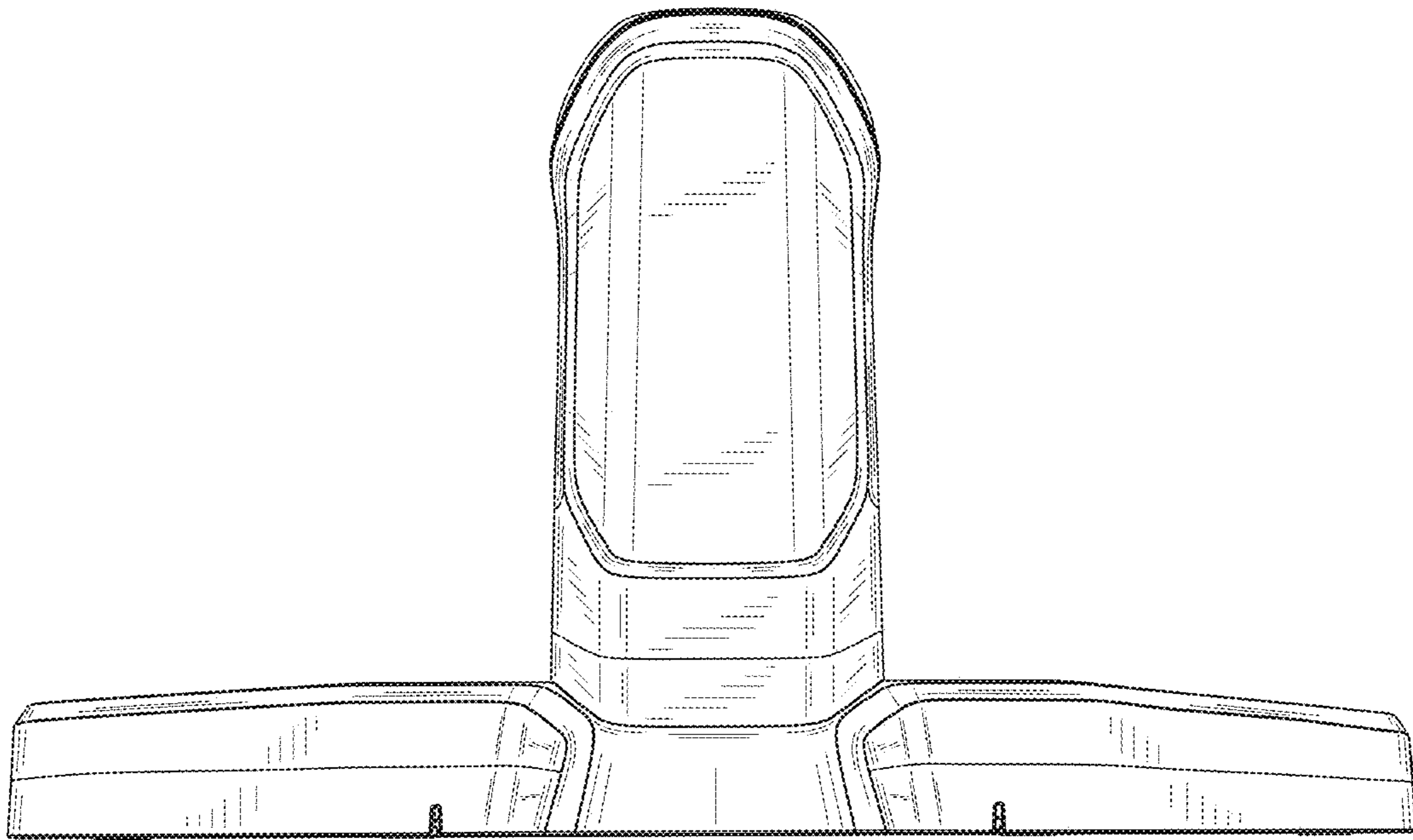


FIG. 3

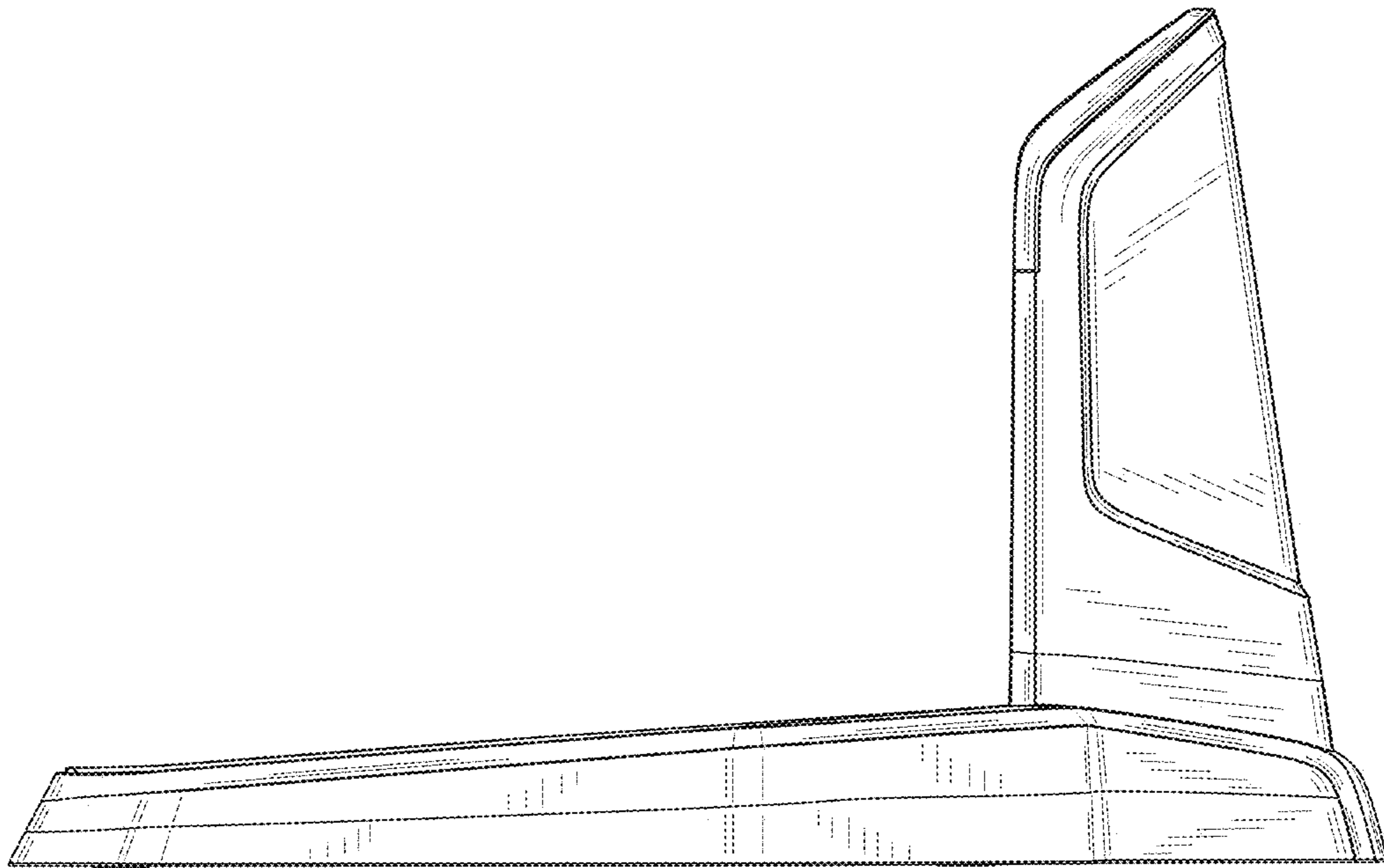


FIG. 4

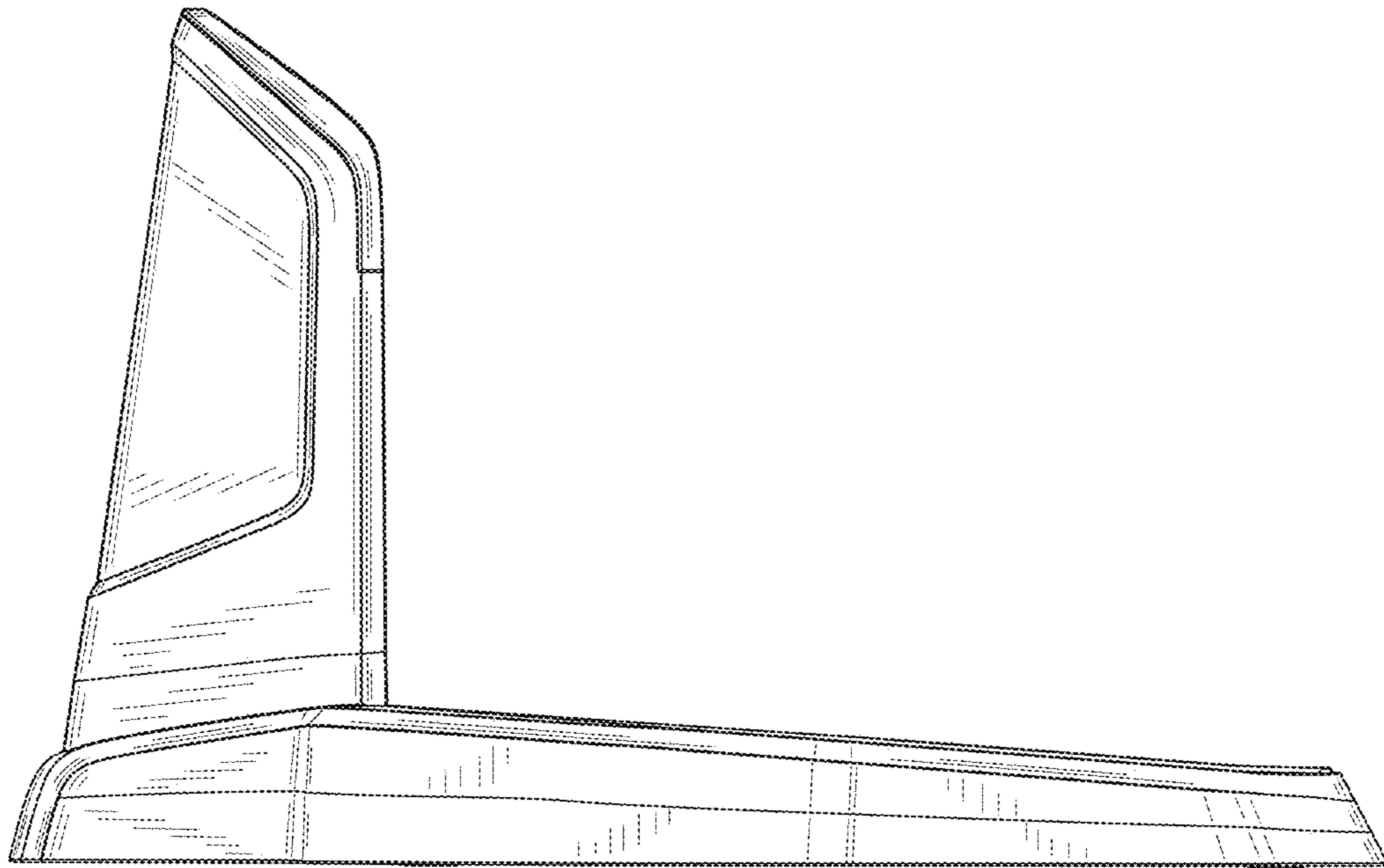


FIG. 5

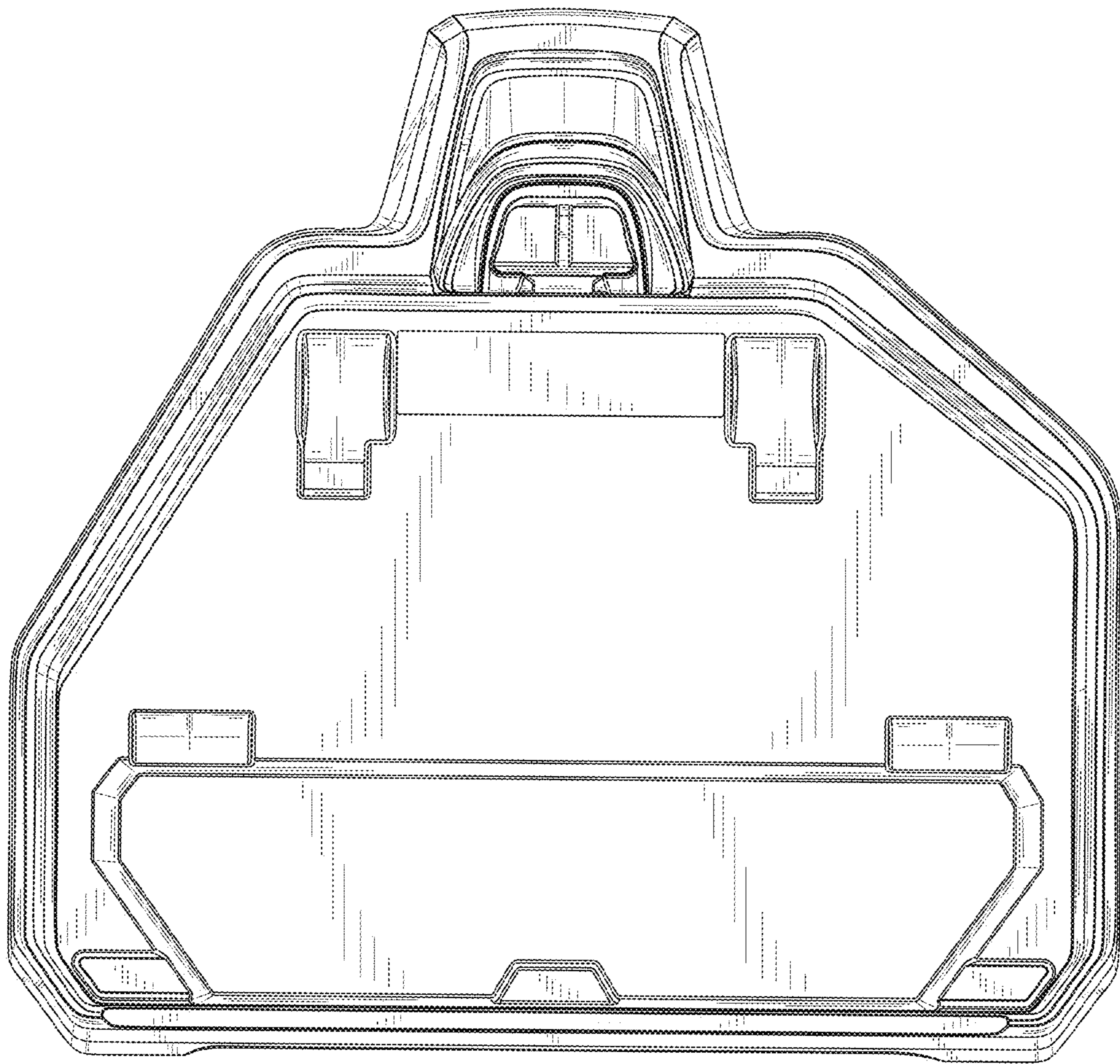


FIG. 6