



US00D911642S

(12) **United States Design Patent** (10) **Patent No.:** **US D911,642 S**
Burgess et al. (45) **Date of Patent:** **** Feb. 23, 2021**

(54) **HOUSING FOR A FILTER**

(71) Applicant: **TTi (Macao Commercial Offshore) Limited**, Macau (MO)
(72) Inventors: **Roderick Burgess**, Charlotte, NC (US); **Robert Patrick Warren**, Charlotte, NC (US)
(73) Assignee: **Techtronic Floor Care Technology Limited**, Tortola (VG)
(**) Term: **15 Years**

(21) Appl. No.: **29/650,252**
(22) Filed: **Jun. 5, 2018**

(30) **Foreign Application Priority Data**

Dec. 5, 2017 (CN) 2017 3 0612229

(51) **LOC (13) Cl.** **15-05**

(52) **U.S. Cl.**
USPC **D32/31**

(58) **Field of Classification Search**
USPC D32/15, 17, 18, 19, 21, 25, 31, 32, 33;
D9/428, 500, 549, 551, 558, 573;
D23/209, 365
CPC A47L 9/1427; A47L 9/1436; A47L 9/1691;
A47L 9/14; A47L 5/00; A47L 5/22; A47L
9/08; A47L 9/10; A47L 9/12; A47L
9/122; A47L 9/16; A47L 9/1445; A47L
5/24; A47L 9/1454; A47L 9/1481; A47L
9/1683; A47L 9/2842; A47L 9/2857;
A47L 9/2884; A47L 11/4091; B01D
46/02

See application file for complete search history.

(56) **References Cited**

U.S. PATENT DOCUMENTS

2,564,467 A 8/1951 Cranmer
2,615,531 A 10/1952 Allen

(Continued)

FOREIGN PATENT DOCUMENTS

AU 2011265411 7/2012
CH 408311 2/1966

(Continued)

OTHER PUBLICATIONS

Oreck Cordless Vacuum with POD Technology (on-line), dated Mar. 16, 2018. Retrieved from Internet Aug. 20, 2020, URL: https://www.youtube.com/watch?v=u_uDpMATSXY (1 page) (Year: 2018).*

(Continued)

Primary Examiner — Kimberly Barnes

(74) *Attorney, Agent, or Firm* — Michael Best & Friedrich LLP

(57) **CLAIM**

We claim the ornamental design for a housing for a filter, as shown and described.

DESCRIPTION

FIG. 1 is a perspective view of a housing for a filter showing our new design.

FIG. 2 is a bottom view of the housing for a filter shown in FIG. 1.

FIG. 3 is a top view of the housing for a filter shown in FIG. 1.

FIG. 4 is a first side view of the housing for a filter shown in FIG. 1.

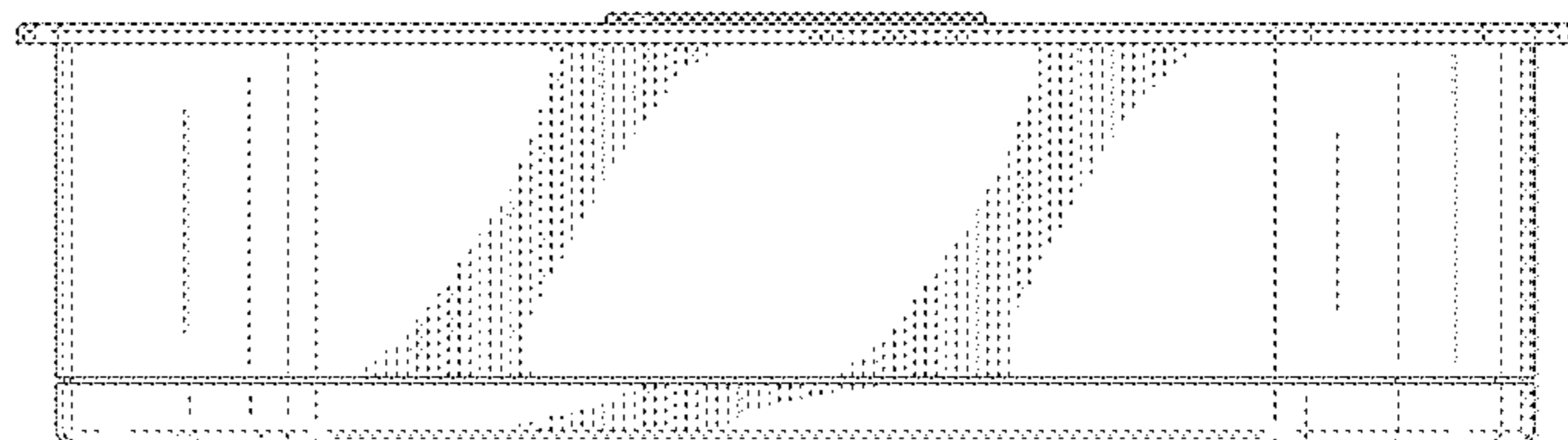
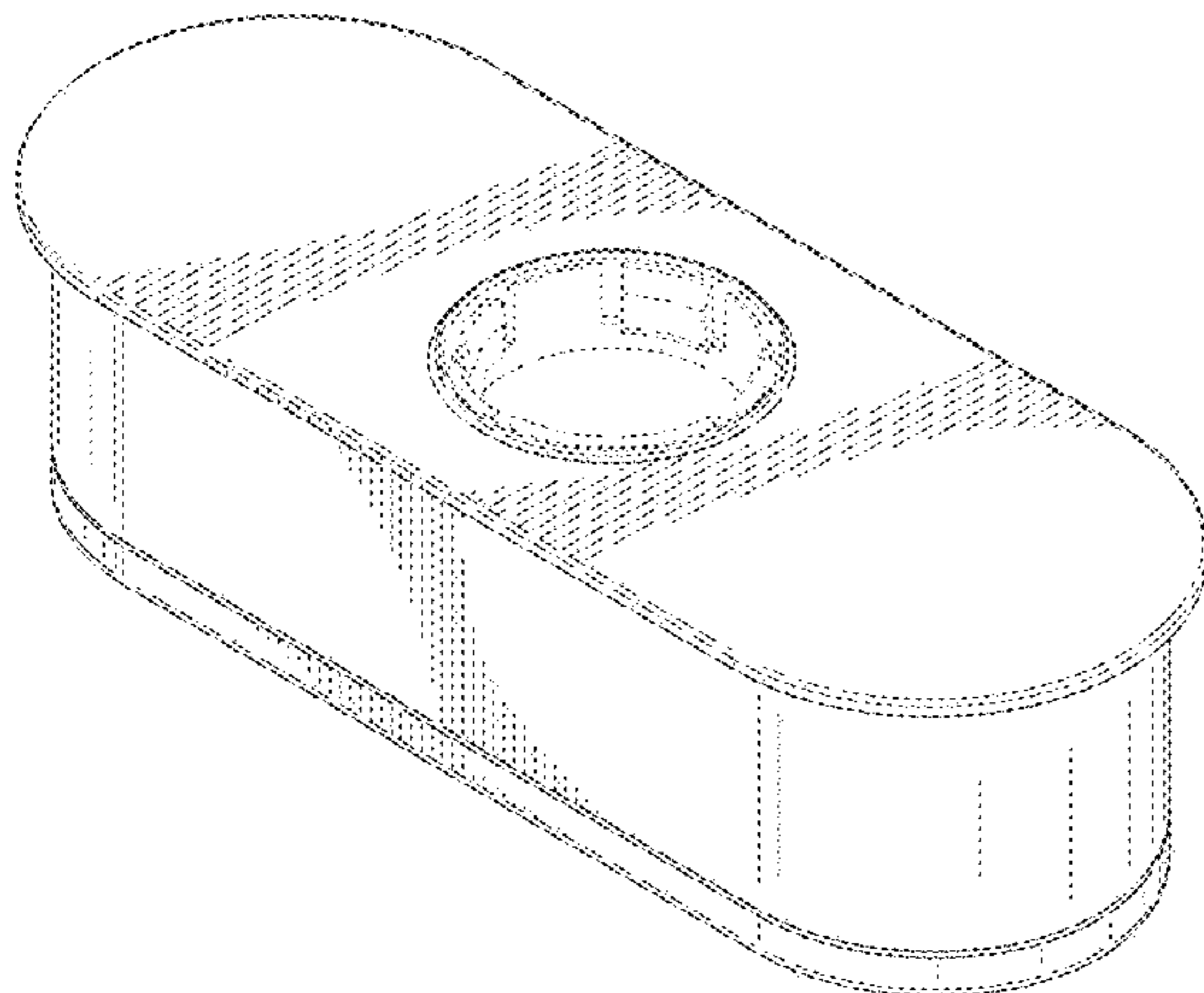
FIG. 5 is a second side view of the housing for a filter shown in FIG. 1.

FIG. 6 is a third side view of the housing for a filter shown in FIG. 1; and,

FIG. 7 is a fourth side view of the housing for a filter shown in FIG. 1.

The broken lines depict portions of the housing for a filter that form no part of the claimed design.

1 Claim, 6 Drawing Sheets



(56)

References Cited

U.S. PATENT DOCUMENTS

2,729,303 A 1/1956 McMahan
 3,914,820 A * 10/1975 Hankel A47L 5/26
 15/344
 4,073,632 A 2/1978 Reinauer et al.
 4,276,069 A 6/1981 Miller
 D277,516 S 2/1985 Hayden et al.
 D304,250 S 10/1989 Hassel et al.
 D326,706 S * 6/1992 Karlsson D23/209
 D342,895 S * 1/1994 Mall D9/423
 6,029,309 A 3/2000 Imamura
 6,058,560 A 5/2000 Gab et al.
 6,237,648 B1 5/2001 Busacca et al.
 6,256,834 B1 7/2001 Meijer et al.
 D449,138 S 10/2001 Dodson et al.
 6,571,422 B1 6/2003 Gordon et al.
 6,871,679 B2 3/2005 Last
 D525,120 S * 7/2006 Maskell D9/428
 7,143,467 B2 12/2006 Seith
 D544,347 S 6/2007 Last
 7,237,298 B2 7/2007 Reindle et al.
 7,254,865 B2 8/2007 Bosses
 D551,078 S 9/2007 Last
 7,310,854 B2 12/2007 Nam et al.
 7,325,272 B2 2/2008 Bosses
 7,332,005 B2 * 2/2008 Wegelin A47L 9/1481
 15/314
 7,418,763 B2 * 9/2008 Shaver A47L 5/14
 15/330
 7,424,766 B2 9/2008 Reindle et al.
 7,468,083 B2 12/2008 Davis et al.
 7,509,707 B2 3/2009 Pullins
 7,599,758 B2 10/2009 Reindle et al.
 7,669,281 B2 * 3/2010 Fukuda A47L 5/24
 15/344
 7,673,368 B2 3/2010 Cloud, III
 D618,681 S * 6/2010 Richter D14/358
 7,770,253 B2 8/2010 Ha et al.
 7,823,249 B2 11/2010 Zahuranec et al.
 7,857,878 B2 * 12/2010 Park A47L 9/1683
 55/337
 D635,728 S 4/2011 Fjellman
 7,958,598 B2 6/2011 Yun et al.
 8,012,250 B2 9/2011 Hwang et al.
 8,092,562 B2 1/2012 Sauer et al.
 8,099,825 B2 1/2012 Zahuranec et al.
 D668,824 S 10/2012 Miers
 8,286,299 B2 10/2012 Williams et al.
 8,302,250 B2 11/2012 Dyson et al.
 8,404,034 B2 3/2013 Hwang et al.
 D682,694 S 5/2013 van den Hoonaard
 8,449,639 B2 5/2013 Sauer et al.
 8,460,256 B2 6/2013 Michaels et al.
 D685,548 S * 7/2013 Wong D32/40
 D687,719 S 8/2013 Last
 8,661,610 B2 3/2014 Lui et al.
 D703,890 S 4/2014 Shin et al.
 8,689,398 B2 4/2014 Chung et al.
 D704,058 S 5/2014 Last
 D704,556 S 5/2014 van den Hoonaard
 8,726,457 B2 5/2014 Liu et al.
 8,726,459 B2 5/2014 Yun et al.
 8,794,488 B2 8/2014 van der Molen
 8,806,705 B2 8/2014 Minor et al.
 8,893,912 B2 11/2014 Van Der Molen et al.
 8,916,002 B1 12/2014 Landolt
 8,939,302 B2 1/2015 Last et al.
 8,950,939 B2 2/2015 Last et al.
 8,961,695 B2 * 2/2015 Romanov A47L 11/4091
 134/18
 9,015,897 B2 4/2015 Jonsson et al.
 D731,136 S 6/2015 Yun et al.
 D731,720 S 6/2015 Gidwell et al.
 D731,724 S 6/2015 Cheon et al.
 9,113,764 B2 * 8/2015 Theising A47L 9/1445

D738,584 S 9/2015 Niedzwecki
 9,138,113 B2 9/2015 Nesom et al.
 9,145,237 B2 9/2015 Van Der Molen
 D742,083 S 10/2015 Gidwell et al.
 9,232,879 B2 1/2016 Schultink et al.
 9,314,139 B2 * 4/2016 Conrad A47L 9/0477
 9,445,631 B1 * 9/2016 Patel B65D 53/02
 D770,111 S 10/2016 Lee et al.
 D771,890 S 11/2016 Kim
 D772,512 S 11/2016 Yoon et al.
 D774,260 S 12/2016 Manning
 D775,772 S 1/2017 Lee et al.
 D792,665 S 7/2017 Salagnac
 D798,009 S 9/2017 Salagnac
 D799,767 S 10/2017 Palladino et al.
 D800,977 S 10/2017 Dammkoehler et al.
 D800,978 S 10/2017 Dammkoehler et al.
 D800,980 S 10/2017 Carter et al.
 D804,114 S 11/2017 Kim et al.
 D817,113 S * 5/2018 Wong D7/629
 10,470,625 B2 * 11/2019 Burgess B01D 46/4227
 10,531,772 B2 * 1/2020 Warren A47L 9/12
 D886,601 S * 6/2020 Lucas D9/428
 10,743,731 B2 * 8/2020 Warren B01D 46/42
 10,792,606 B2 * 10/2020 Burgess A47L 9/1454
 2005/0091784 A1 5/2005 Bone
 2005/0183230 A1 8/2005 Uehigashi
 2005/0273968 A1 12/2005 Seith
 2006/0242787 A1 11/2006 Bosses
 2007/0214597 A1 9/2007 Suzuki
 2008/0134461 A1 6/2008 Hedelund Nielsen
 2009/0139048 A1 6/2009 Williams
 2009/0241285 A1 10/2009 Hinklin et al.
 2010/0230410 A1 9/2010 Last et al.
 2010/0293742 A1 11/2010 Chung et al.
 2011/0232687 A1 9/2011 Stein
 2012/0152280 A1 6/2012 Bosses et al.
 2012/0261441 A1 10/2012 van den Hoonaard
 2012/0267891 A1 10/2012 Walz et al.
 2013/0185892 A1 7/2013 Walker
 2013/0199662 A1 8/2013 Gebbink et al.
 2016/0051109 A1 2/2016 Hwang et al.
 2017/0000305 A1 1/2017 Gordon et al.
 2017/0258282 A1 9/2017 Shinagawa

FOREIGN PATENT DOCUMENTS

CN 1090469 9/2002
 CN 2527215 12/2002
 CN 2528381 1/2003
 CN 1463669 12/2003
 CN 100382739 3/2005
 CN 1765306 5/2006
 CN 1951295 4/2007
 CN 1954754 5/2007
 CN 1954766 5/2007
 CN 1973749 6/2007
 CN 100374062 3/2008
 CN 101229029 7/2008
 CN 201153911 11/2008
 CN 101313832 12/2008
 CN 201167925 12/2008
 CN 100450412 1/2009
 CN 101387876 3/2009
 CN 101558970 10/2009
 CN 101558976 10/2009
 CN 100571593 12/2009
 CN 101596086 12/2009
 CN 101612016 12/2009
 CN 101756674 6/2010
 CN 101822508 9/2010
 CN 101945607 1/2011
 CN 101953666 1/2011
 CN 102068220 5/2011
 CN 102256524 11/2011
 CN 102599857 7/2012
 CN 202288130 7/2012
 CN 202526083 11/2012
 CN 103037746 4/2013

(56)

References Cited

FOREIGN PATENT DOCUMENTS

CN	202932857	5/2013
CN	203138359	8/2013
CN	203314892	12/2013
CN	103874446	6/2014
CN	203861136	10/2014
CN	203861137	10/2014
CN	203885442	10/2014
CN	203914785	11/2014
CN	104224049	12/2014
CN	204192519	3/2015
CN	204274321	4/2015
CN	205092625	3/2016
CN	105496311	4/2016
CN	105496312	4/2016
CN	205162973	4/2016
CN	205162975	4/2016
CN	105534412	5/2016
CN	105581731	5/2016
CN	105595920	5/2016
CN	105640438	6/2016
CN	205458450	8/2016
CN	205514398	8/2016
CN	205514399	8/2016
CN	205514400	8/2016
CN	205514401	8/2016
CN	205649469	10/2016
CN	106175594	12/2016
DE	10055926	5/2002
DE	102007036157	2/2009
DE	202008002310	6/2009
DE	102008010068	8/2009
DE	102008038893	2/2010

DE	102009035717	2/2011
DE	102011006542	10/2012
DE	102011052023	1/2013
DE	202011052208	3/2013
DE	202013100862	3/2013
DE	202013103508	8/2013
DE	102014002743	9/2014
DE	102014109596	2/2015
DE	202015101218	4/2015
DE	202014100563	5/2015
DE	102015108462	12/2016
EP	18369412	9/2007
EP	1894507	3/2008
EP	1480545	4/2008
EP	1318746	9/2009
EP	2380477	10/2011
EP	2249688	5/2013
EP	2378940	5/2013
EP	1933685	3/2014
EP	2732747	5/2014
EP	2772173	9/2014
EP	2820991	1/2015
GB	879781	10/1961
GB	2407257	4/2005
GB	2441962	3/2008
WO	2007033977	3/2007
WO	2009011482	1/2009
WO	2016206732	12/2016

OTHER PUBLICATIONS

Dirt Devil Hand Vac Owner's Manual for Model No. 1-500181-001, 1995, (8 pages).

* cited by examiner

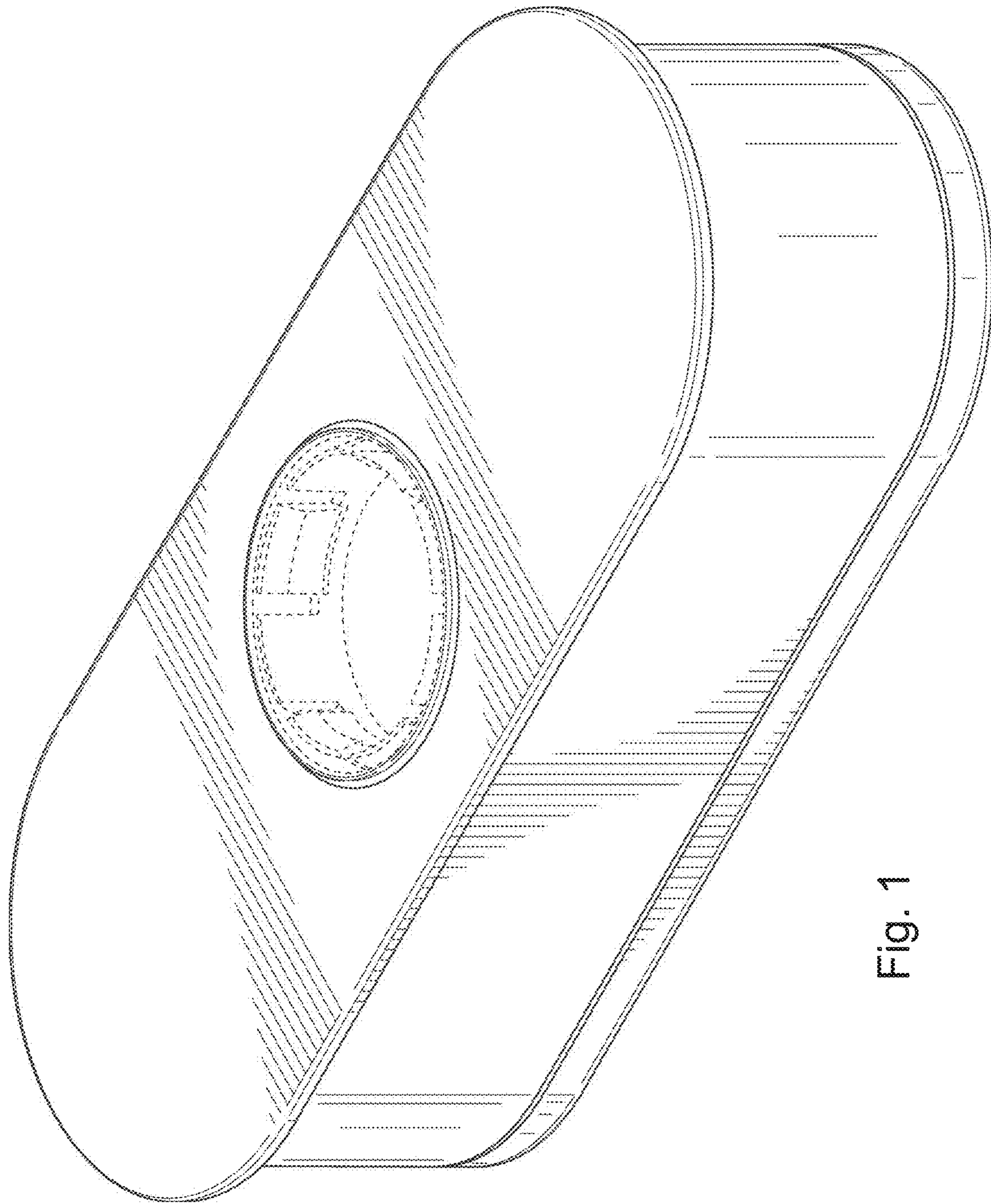


Fig. 1

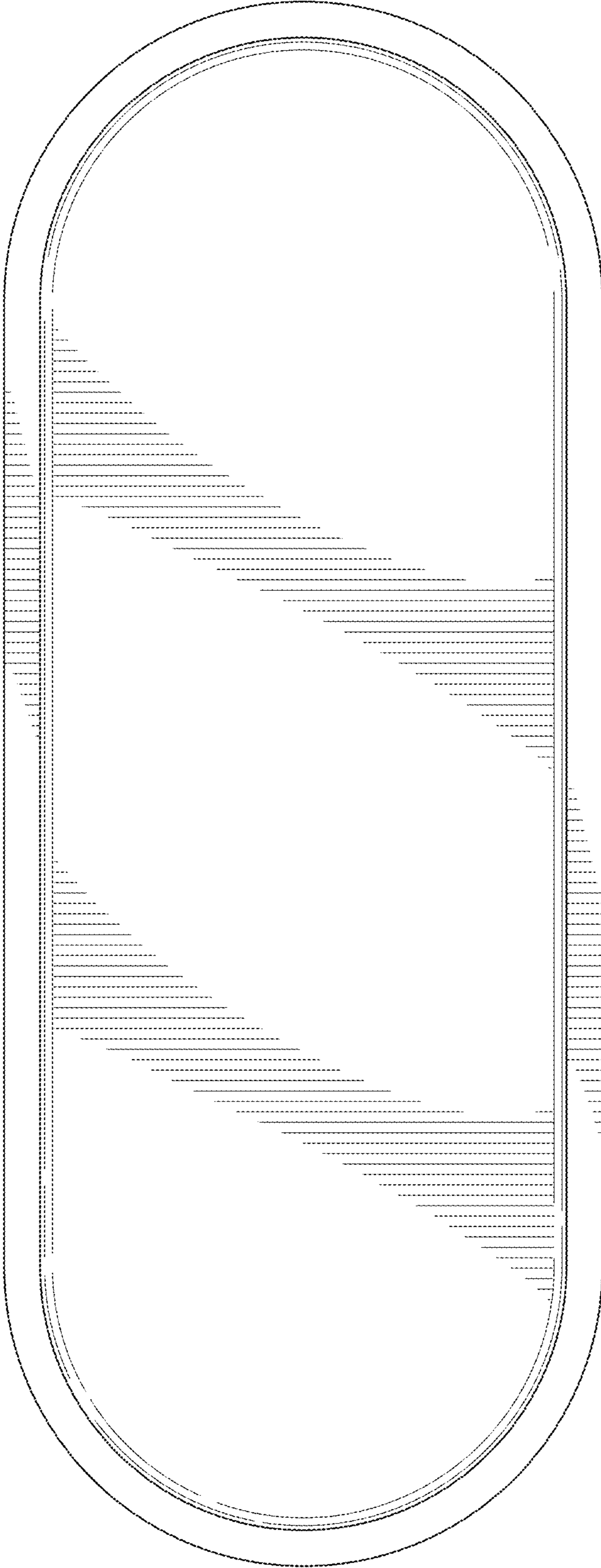


Fig. 2

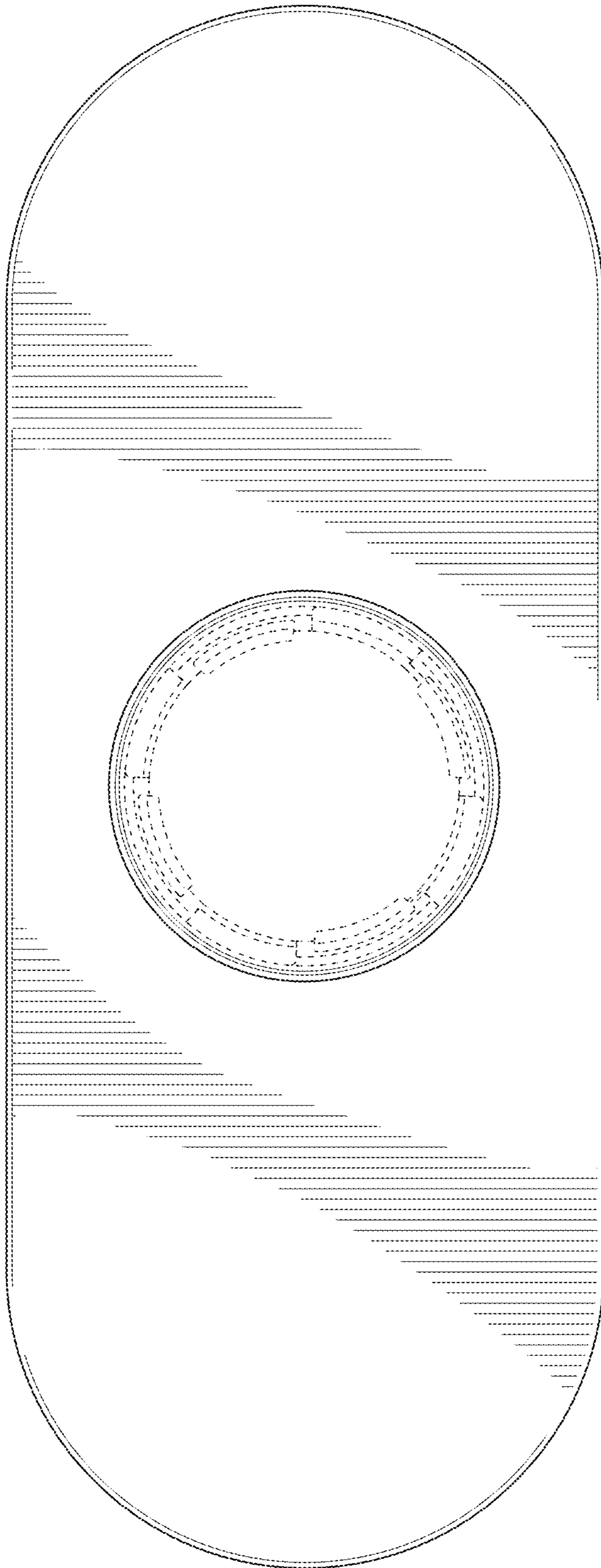


Fig. 3

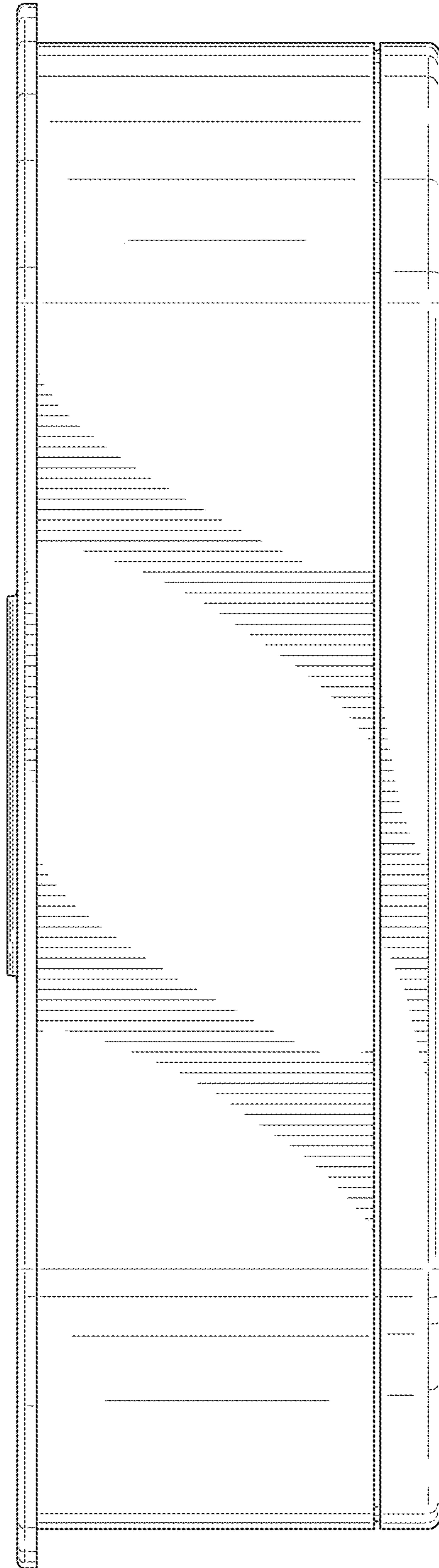


Fig. 4

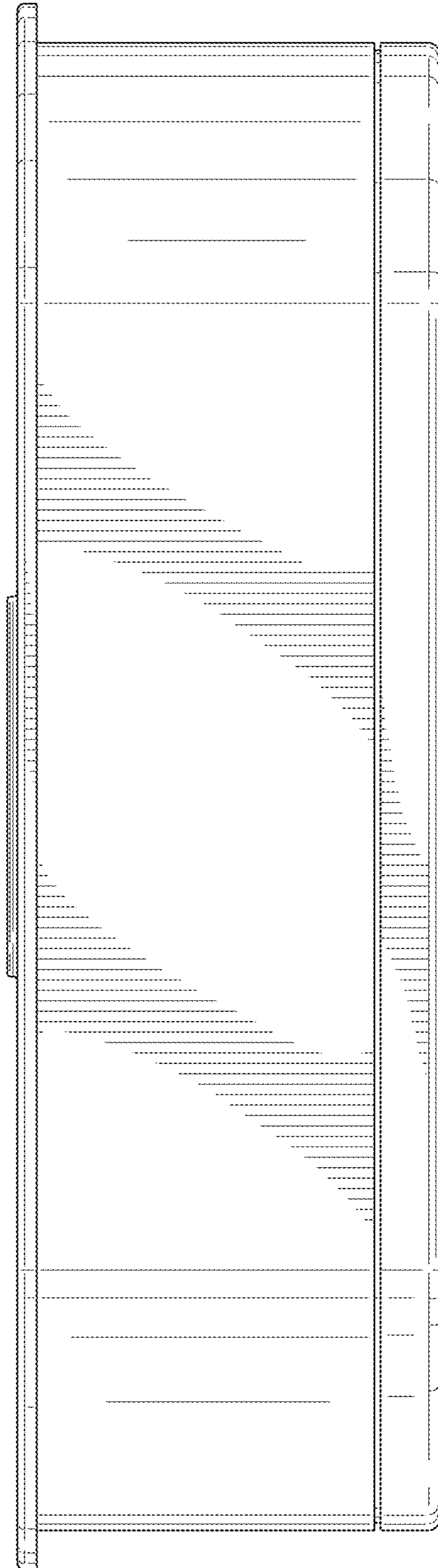


Fig. 5

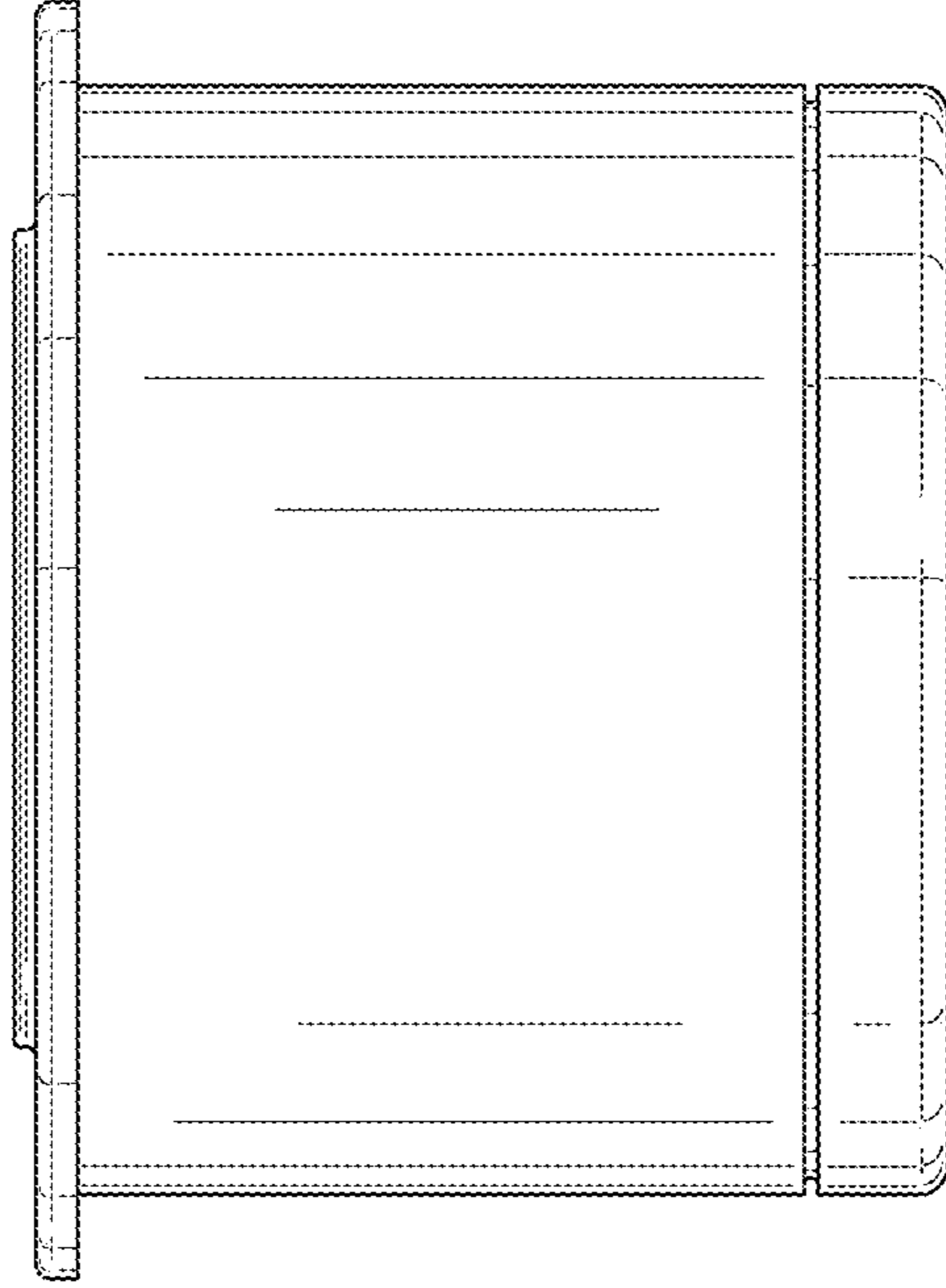


Fig. 7

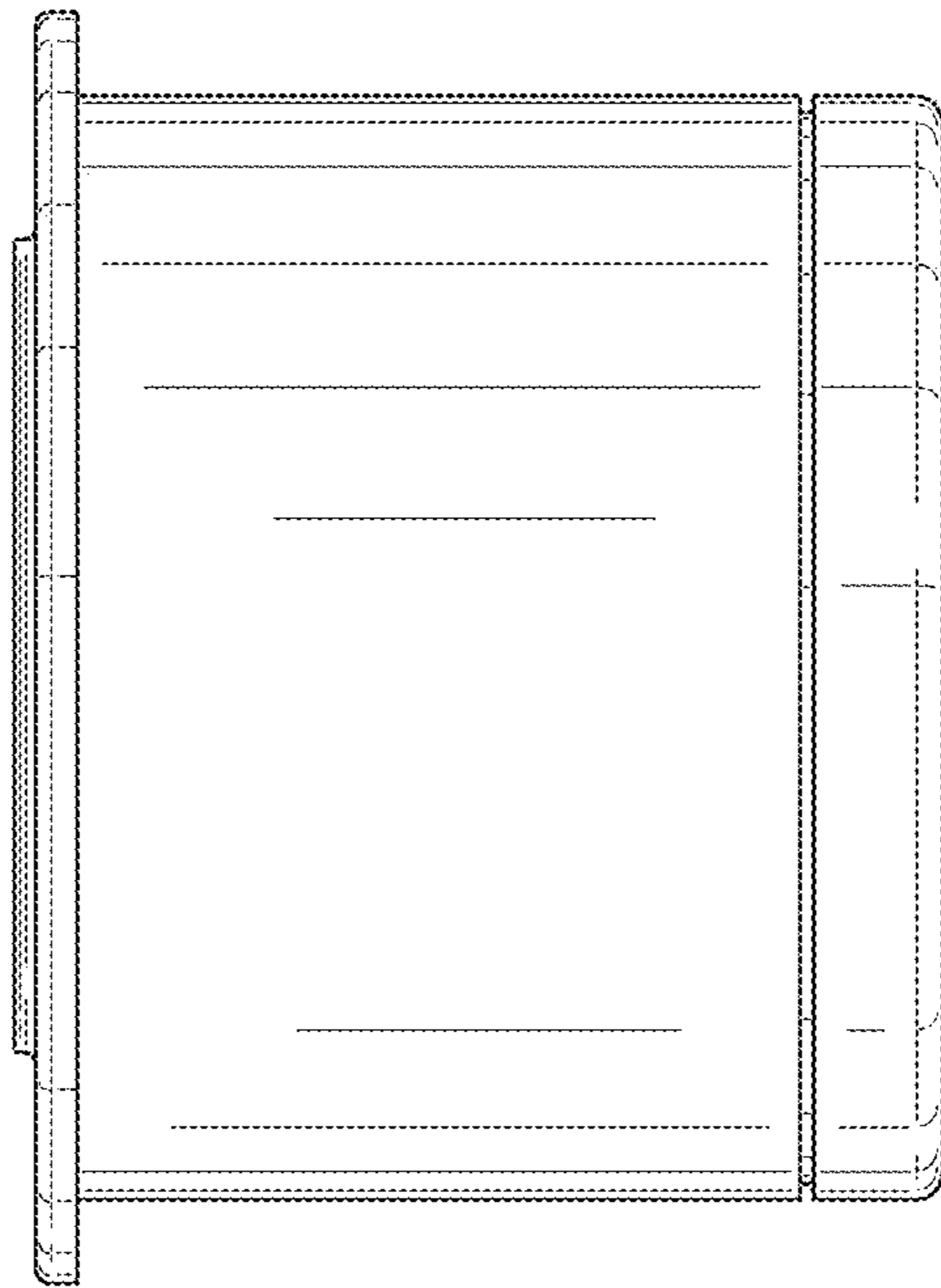


Fig. 6