



US00D911638S

(12) **United States Design Patent** (10) **Patent No.:** **US D911,638 S**
Yoon et al. (45) **Date of Patent:** **** Feb. 23, 2021**

(54) **DISHWASHER** 7,201,175 B2 * 4/2007 DeBoer A47L 15/0086
134/115 R
(71) Applicant: **Samsung Electronics Co., Ltd.**, D543,321 S * 5/2007 Jeon D32/2
Suwon-si (KR) D549,404 S * 8/2007 Jeon D32/2
(Continued)

(72) Inventors: **Se Lim Yoon**, Suwon-si (KR); **Jun Kyo Lee**, Suwon-si (KR); **Jae Jun Kim**, Suwon-si (KR)

(73) Assignee: **Samsung Electronics Co., Ltd.**, Suwon-si (KR)

(**) Term: **15 Years**

(21) Appl. No.: **29/694,440**

(22) Filed: **Jun. 11, 2019**

(30) **Foreign Application Priority Data**

Dec. 12, 2018 (KR) 30-2018-0058629

(51) **LOC (13) Cl.** **15-05**

(52) **U.S. Cl.**
USPC **D32/2**

(58) **Field of Classification Search**
USPC D32/2-3, 5-7, 12-13, 25-29.1
CPC A47L 15/42; A47L 15/00; B65D 47/06;
D06F 23/06; D06F 37/26
See application file for complete search history.

(56) **References Cited**

U.S. PATENT DOCUMENTS

5,365,959 A * 11/1994 Favaro A47L 15/4257
134/113
5,453,586 A * 9/1995 Stottmann H01H 13/70
200/302.2
D493,582 S * 7/2004 Ott D32/3
D493,583 S * 7/2004 Kaczmarek D32/3
D510,781 S * 10/2005 Seo D32/2
D518,249 S * 3/2006 Seo D32/2

FOREIGN PATENT DOCUMENTS

CN 2016305796027 6/2017
CN 2017300362238 7/2017

(Continued)

OTHER PUBLICATIONS

Dishwashers | Stainless Steel & Energy Efficient, Samsung website 2020, <https://www.samsung.com/us/home-appliances/dishwashers/all-dishwashers/>, site visited Jun. 11, 2020.*

Primary Examiner — John R Yeh

(74) *Attorney, Agent, or Firm* — NSIP Law

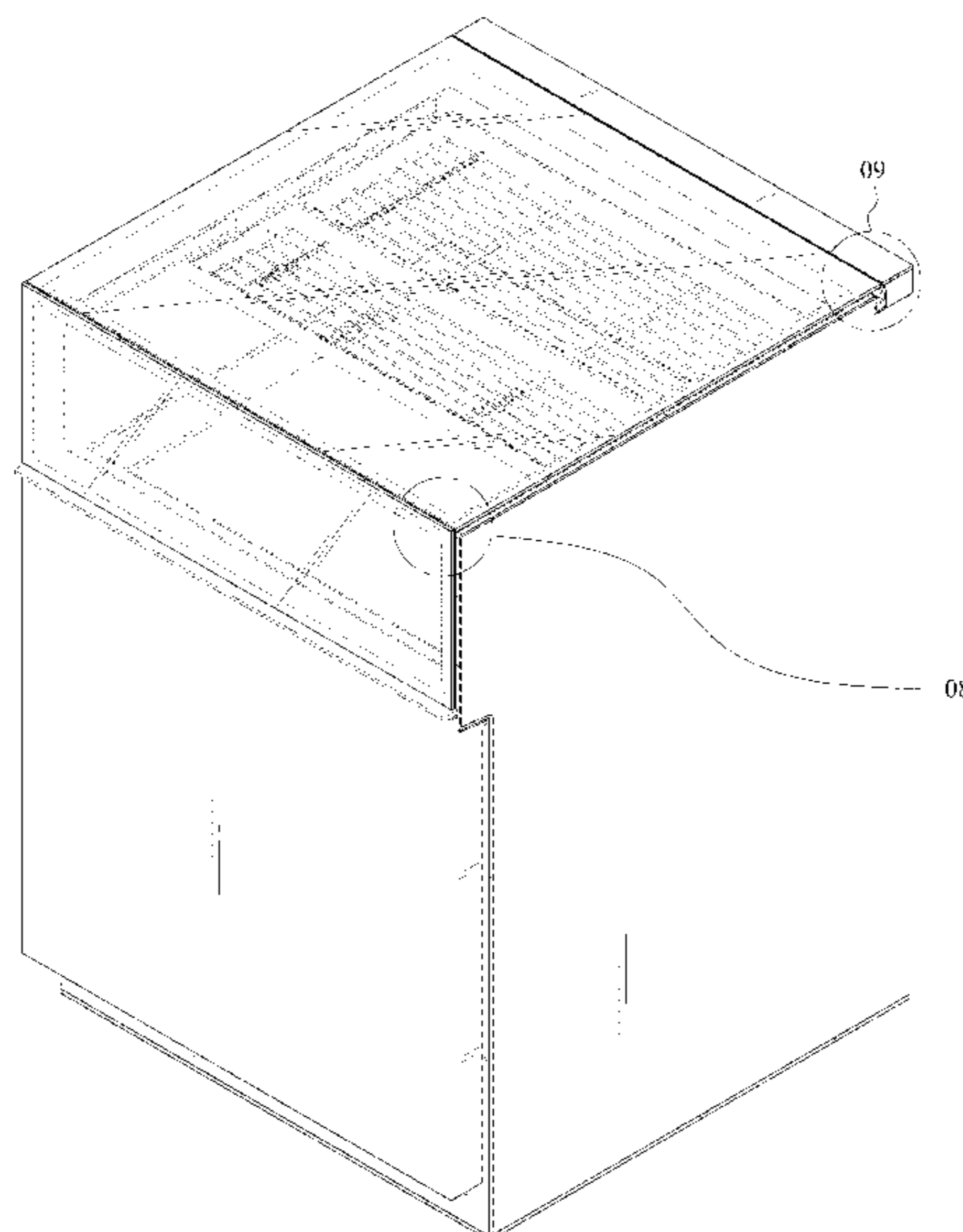
(57) **CLAIM**

We claim the ornamental design for a dishwasher, as shown and described.

DESCRIPTION

FIG. 1 is a front perspective view of a dishwasher showing our new design;
FIG. 2 is a front view thereof;
FIG. 3 is a rear view thereof;
FIG. 4 is a left-side view thereof;
FIG. 5 is a right-side view thereof;
FIG. 6 is a top view thereof;
FIG. 7 is a bottom view thereof;
FIG. 8 is an enlarged view of the portion 8 in FIG. 1; and,
FIG. 9 is an enlarged view of the portion 9 in FIG. 1.
The broken lines in the figures depict portions of the dishwasher which form no part of the claimed design. The dot-dash broken lines encircling portions of the claimed design that are illustrated in enlargements form no part of the claimed design.

1 Claim, 9 Drawing Sheets



(56)

References Cited

U.S. PATENT DOCUMENTS

D627,937 S * 11/2010 Kim D32/2
7,928,857 B2 * 4/2011 Olesen A47L 15/4293
340/686.1
D656,692 S * 3/2012 Kim D32/2
D658,828 S * 5/2012 Kim D32/2
D673,742 S * 1/2013 Eng D32/2
D677,023 S * 2/2013 Borjesson D32/2
D682,491 S * 5/2013 Kim D32/2
D765,321 S 8/2016 Fuller et al.
D806,960 S * 1/2018 Tong D32/2
D827,224 S * 8/2018 Lee D32/3
D827,225 S * 8/2018 Lee D32/3
2008/0011342 A1 * 1/2008 Ryu A47L 15/4257
134/57 DL

FOREIGN PATENT DOCUMENTS

CN 2018300722613 7/2018
EM 002175851-0002 2/2014

* cited by examiner

FIG. 1

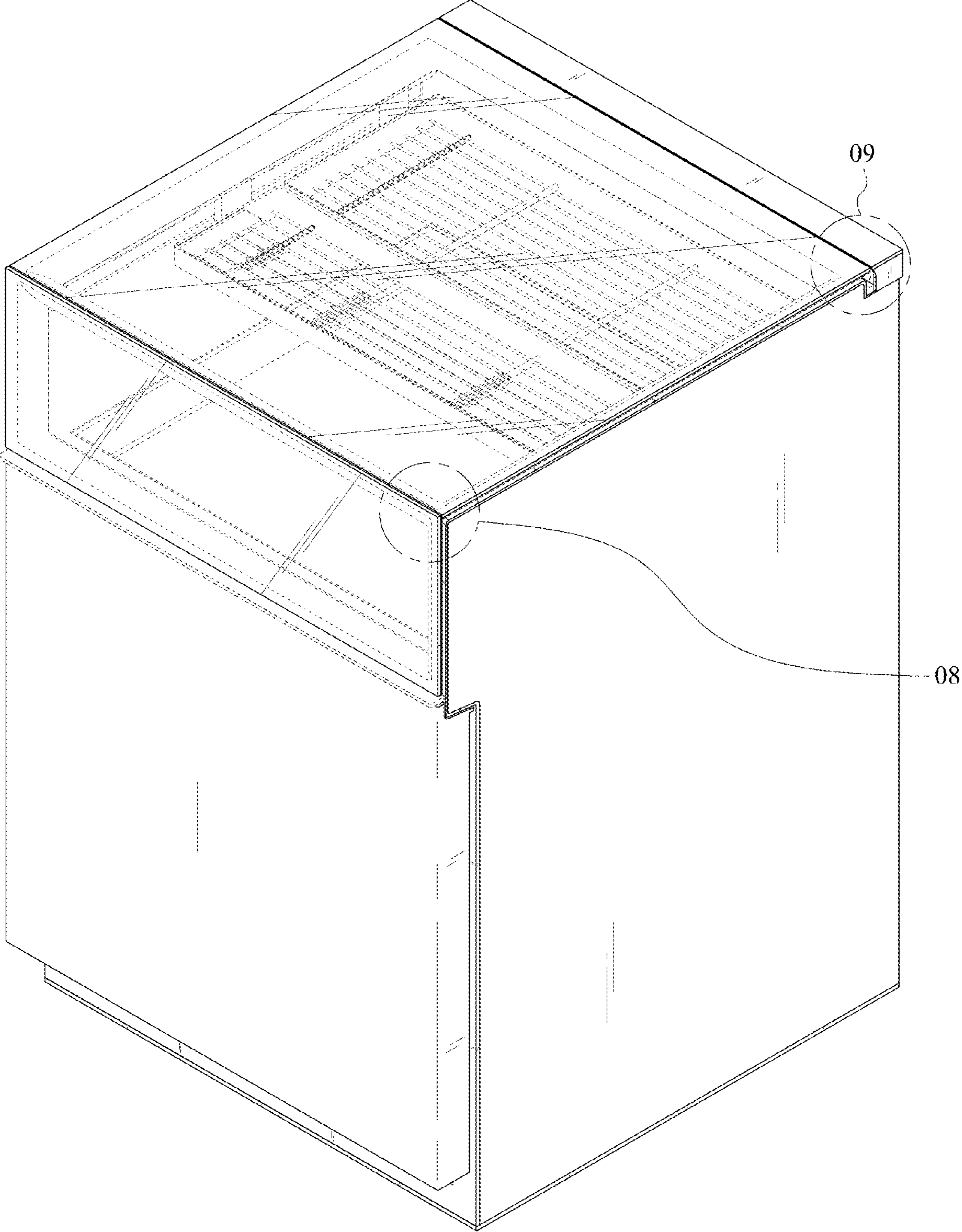


FIG. 2

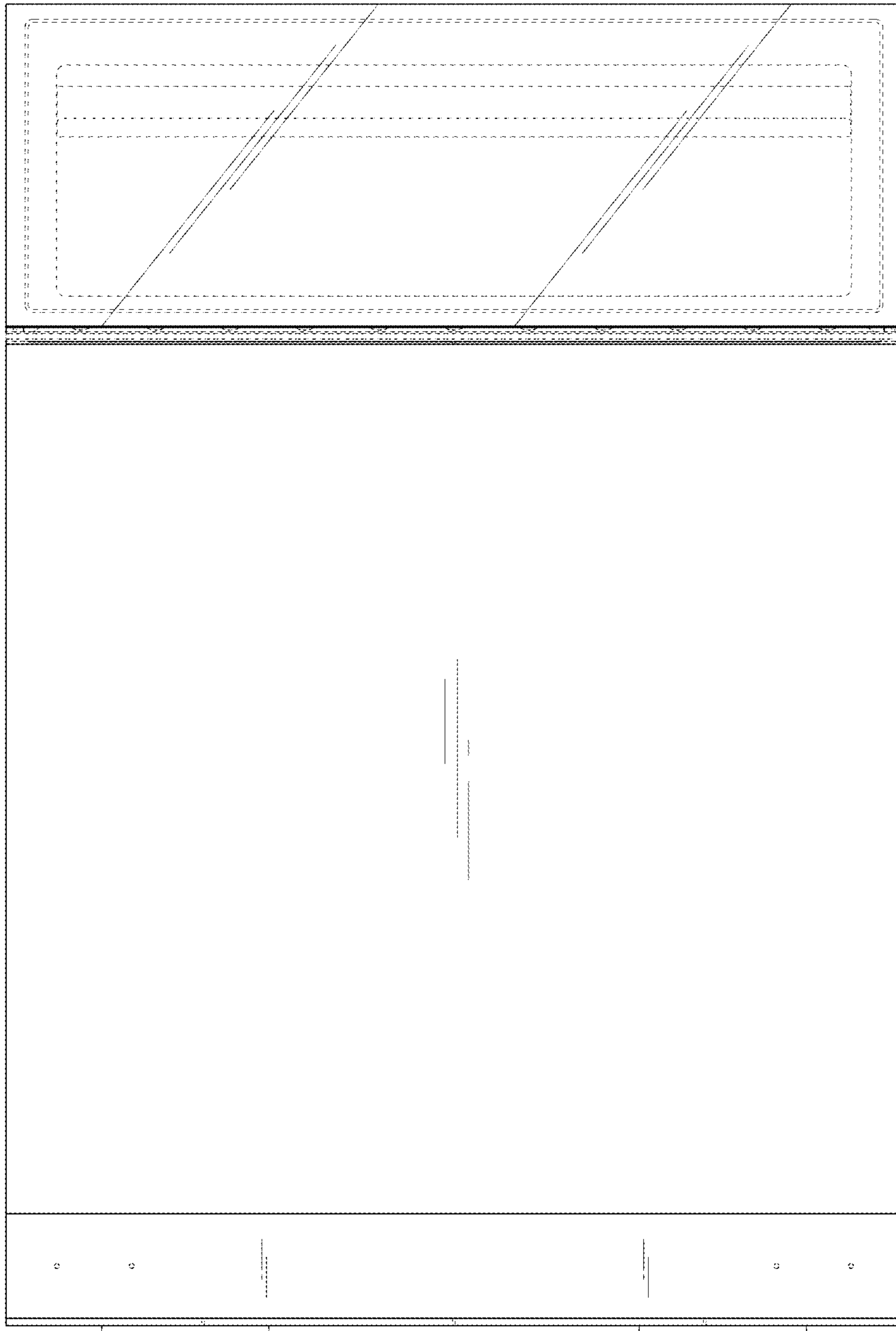


FIG. 3

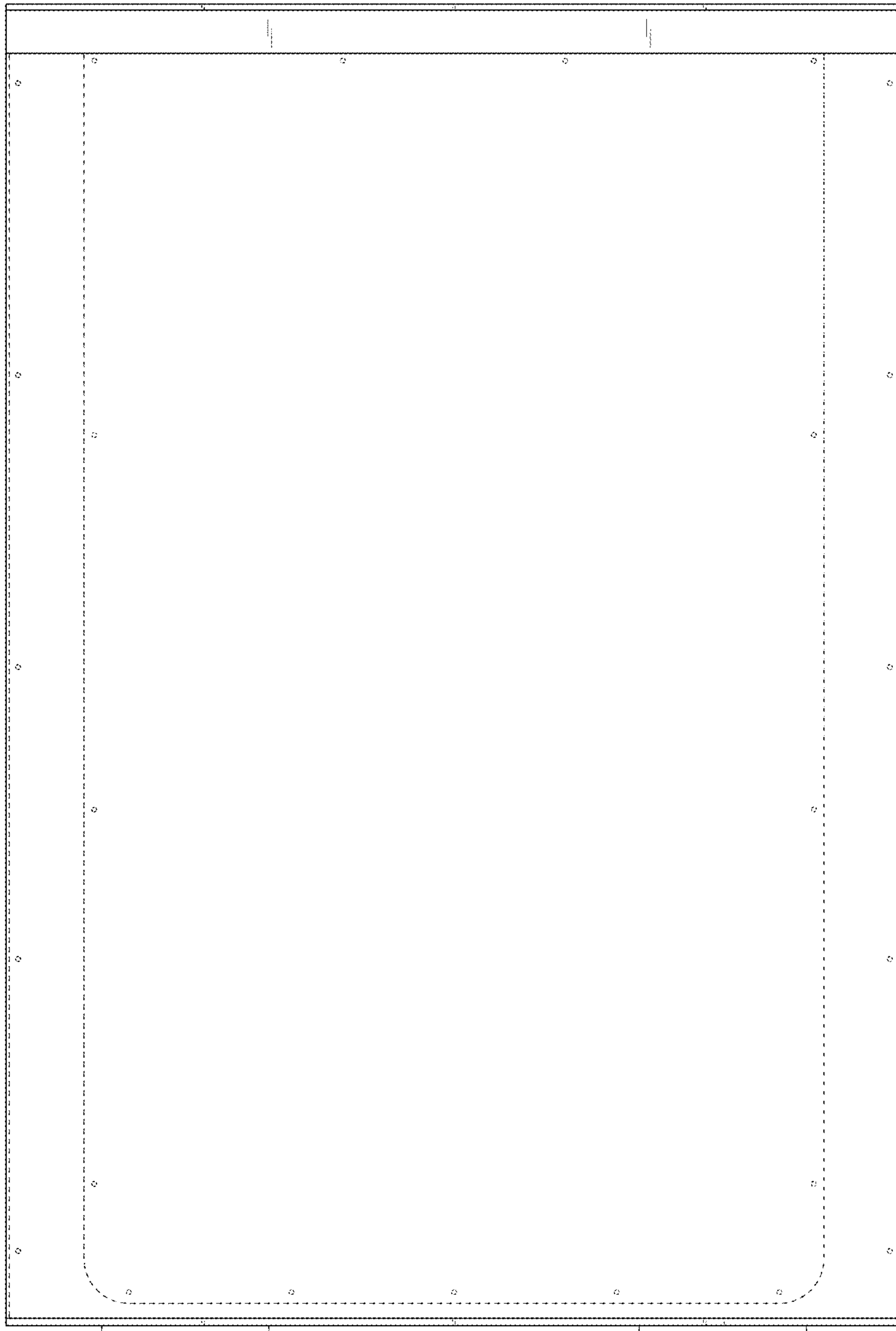


FIG. 4

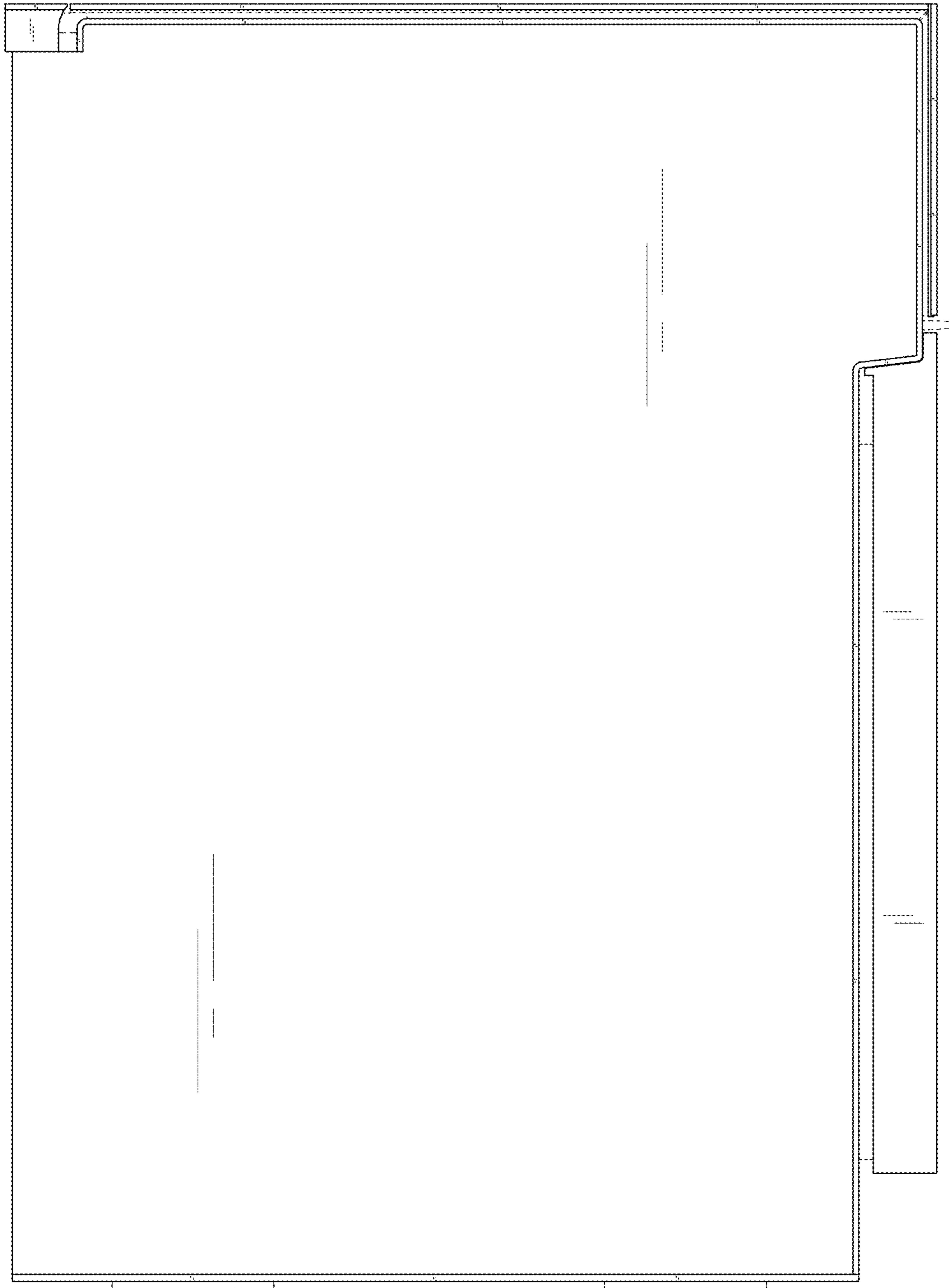


FIG. 5

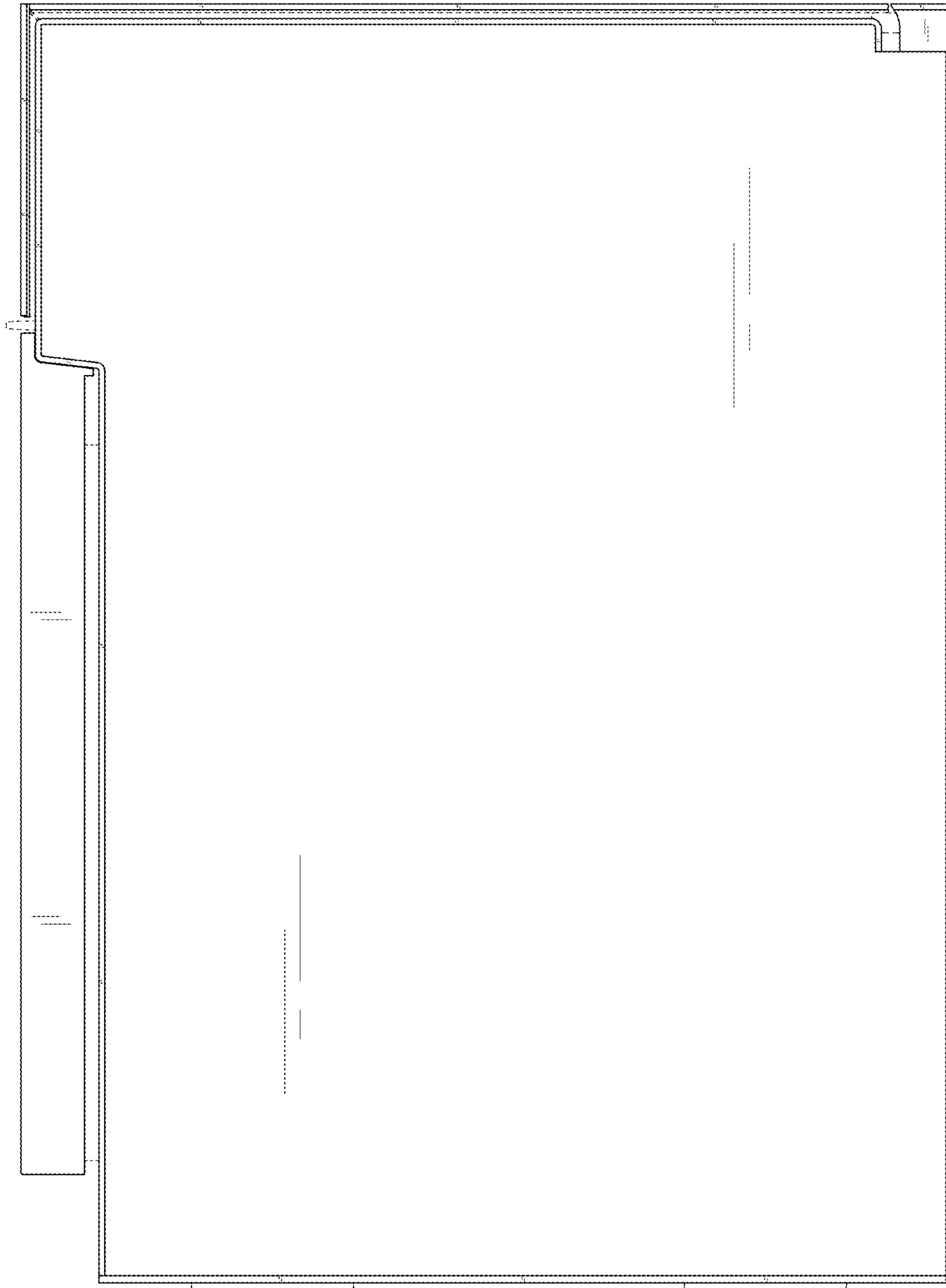


FIG. 6

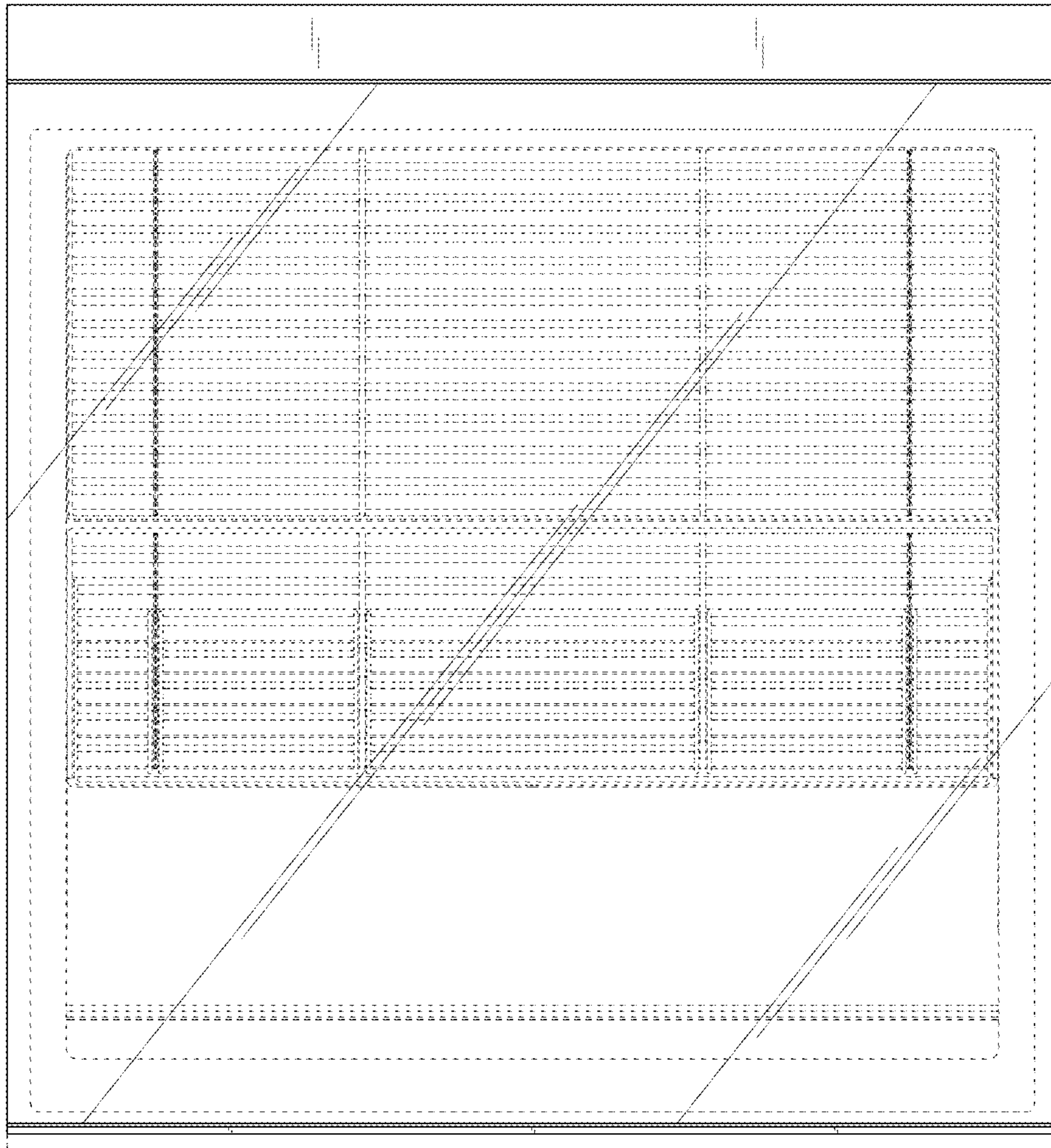


FIG. 7

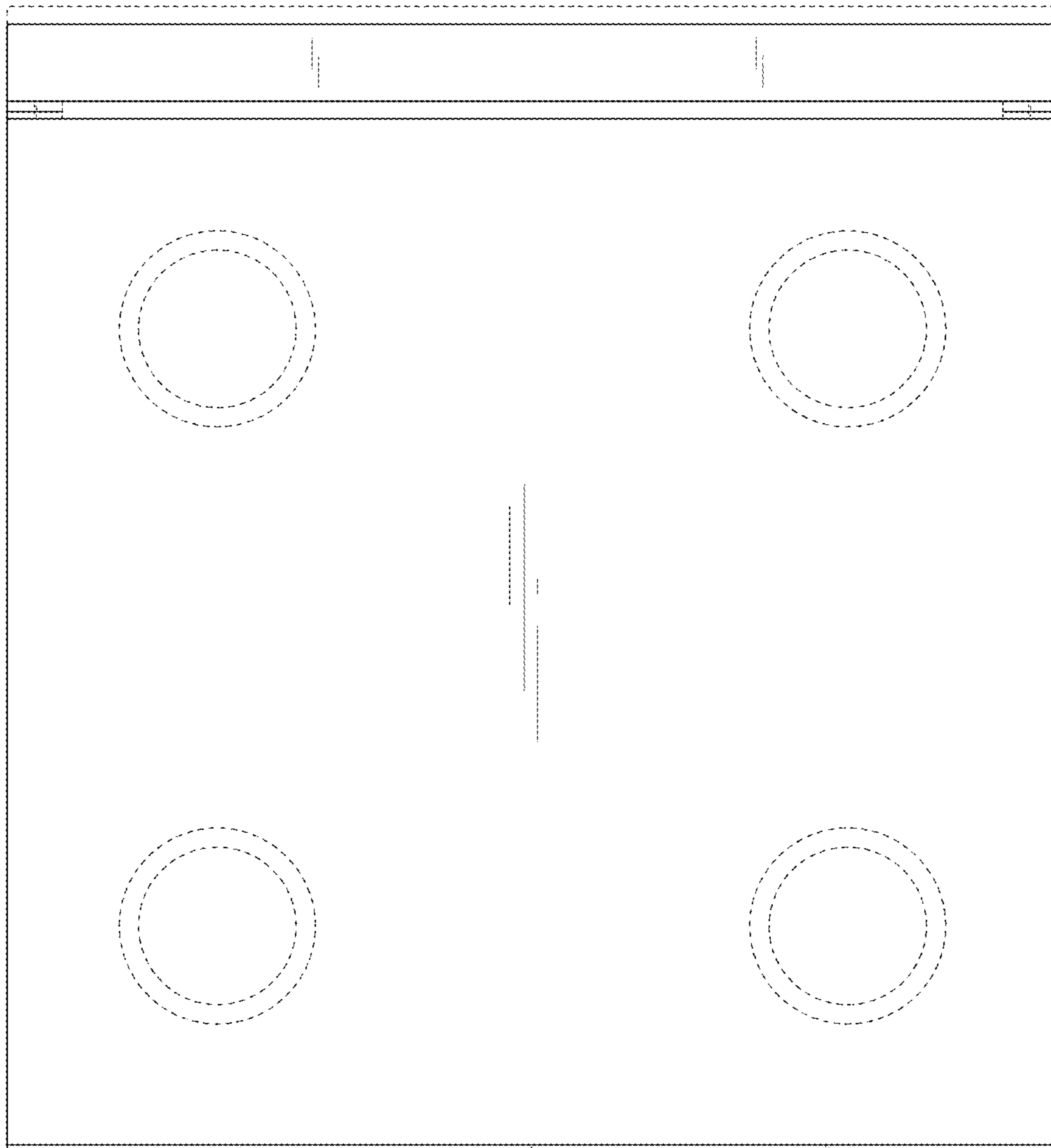


FIG. 8

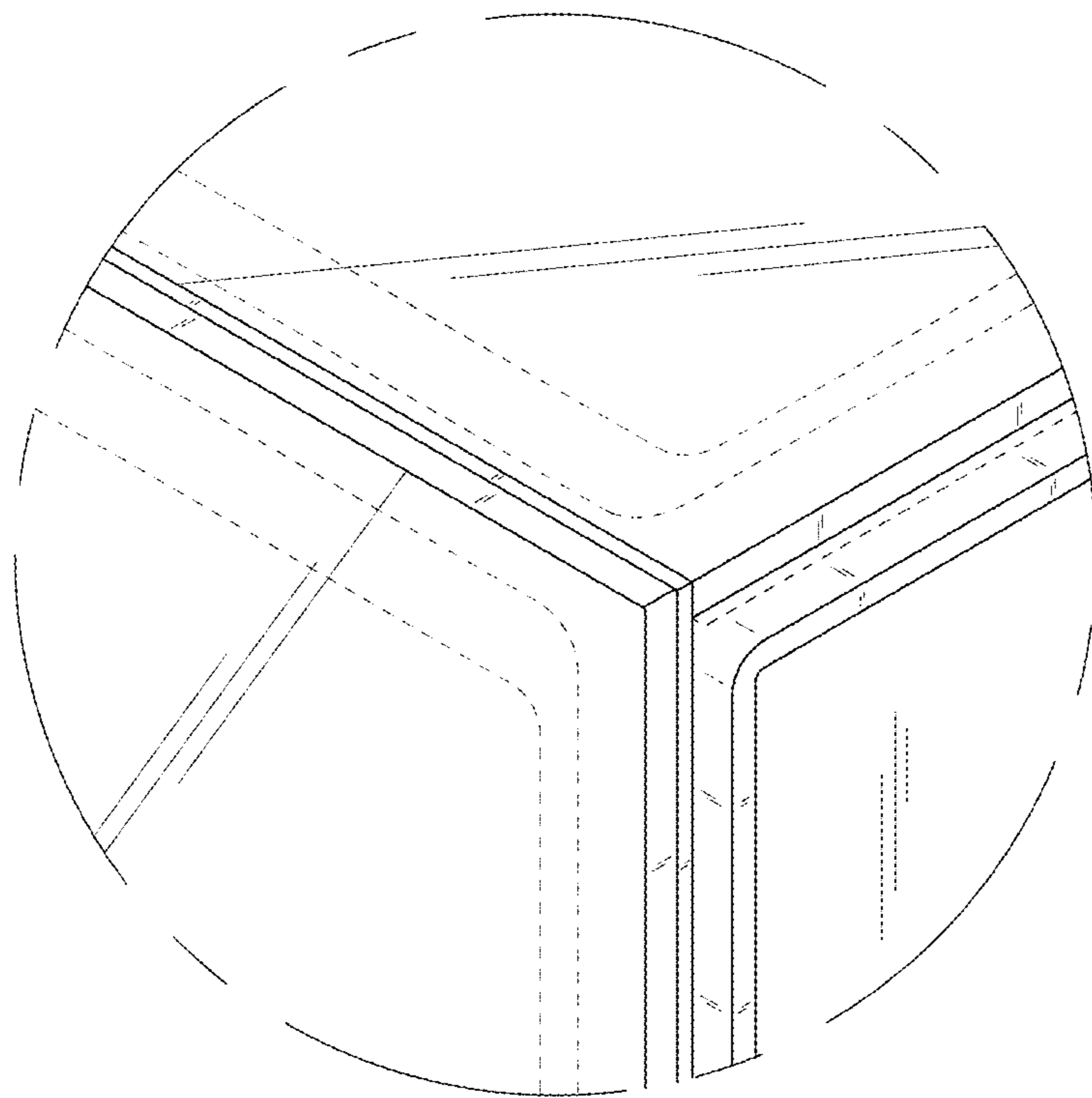


FIG. 9

