



US00D911637S

(12) **United States Design Patent** (10) **Patent No.:** **US D911,637 S**  
**Jakubowski et al.** (45) **Date of Patent:** **\*\* Feb. 23, 2021**

(54) **PET RAMP**

(71) Applicant: **Vermont Juvenile Furniture Mfg., Inc.**, West Rutland, VT (US)  
 (72) Inventors: **Chris Jakubowski**, Rutland, VT (US);  
**Todd Jakubowski**, Rutland, VT (US);  
**Kristen Jakubowski**, Rutland, VT (US)  
 (73) Assignee: **Vermont Juvenile Furniture Mfg., Inc.**, West Rutland, VT (US)

(\*\*) Term: **15 Years**  
 (21) Appl. No.: **29/748,988**  
 (22) Filed: **Sep. 2, 2020**

**Related U.S. Application Data**

(62) Division of application No. 29/685,120, filed on Mar. 26, 2019.  
 (51) **LOC (13) Cl.** ..... **30-99**  
 (52) **U.S. Cl.**  
 USPC ..... **D30/199**  
 (58) **Field of Classification Search**  
 USPC ..... D30/199, 119, 160, 108, 118, 158, 161,  
 D30/109, 117; 119/847, 849, 168, 51.01,  
 119/468, 484, 482, 412, 496-498,  
 119/706-711, 28.5, 165, 702, 703, 705,  
 119/485, 479, 537, 848; 182/180.1, 94;  
 160/213; 52/7, 183; 14/71.1, 69.5,  
 14/386-392; D34/32; 414/537, 480;  
 5/413 R; 108/156; 296/61  
 CPC .... A01K 15/027; A01K 15/024; A01K 15/00;  
 A01K 15/02; A01K 29/00; A01K 1/02;  
 A01K 1/035; A01K 1/0272; E04F 11/002;  
 E04F 11/00; E04F 2011/005; E04F  
 2011/007; E04G 27/00; B65G 69/28;  
 B65G 69/30; Y10T 16/557; B60R 3/002;  
 B60R 3/005; B60R 3/007; B60R 3/02;  
 B60R 3/00

See application file for complete search history.

(56) **References Cited**

U.S. PATENT DOCUMENTS

3,846,860 A \* 11/1974 Kummerman ..... B63B 27/143  
 14/71.1  
 4,528,711 A \* 7/1985 Packer ..... B65G 69/30  
 14/69.5  
 4,920,597 A \* 5/1990 Hamilton ..... E04B 1/34347  
 14/69.5  
 D316,771 S \* 5/1991 Murray ..... D34/32  
 5,324,004 A \* 6/1994 Richardson ..... B66F 7/243  
 254/88

(Continued)

*Primary Examiner* — Susan Moon Lee

(74) *Attorney, Agent, or Firm* — Volpe Koenig

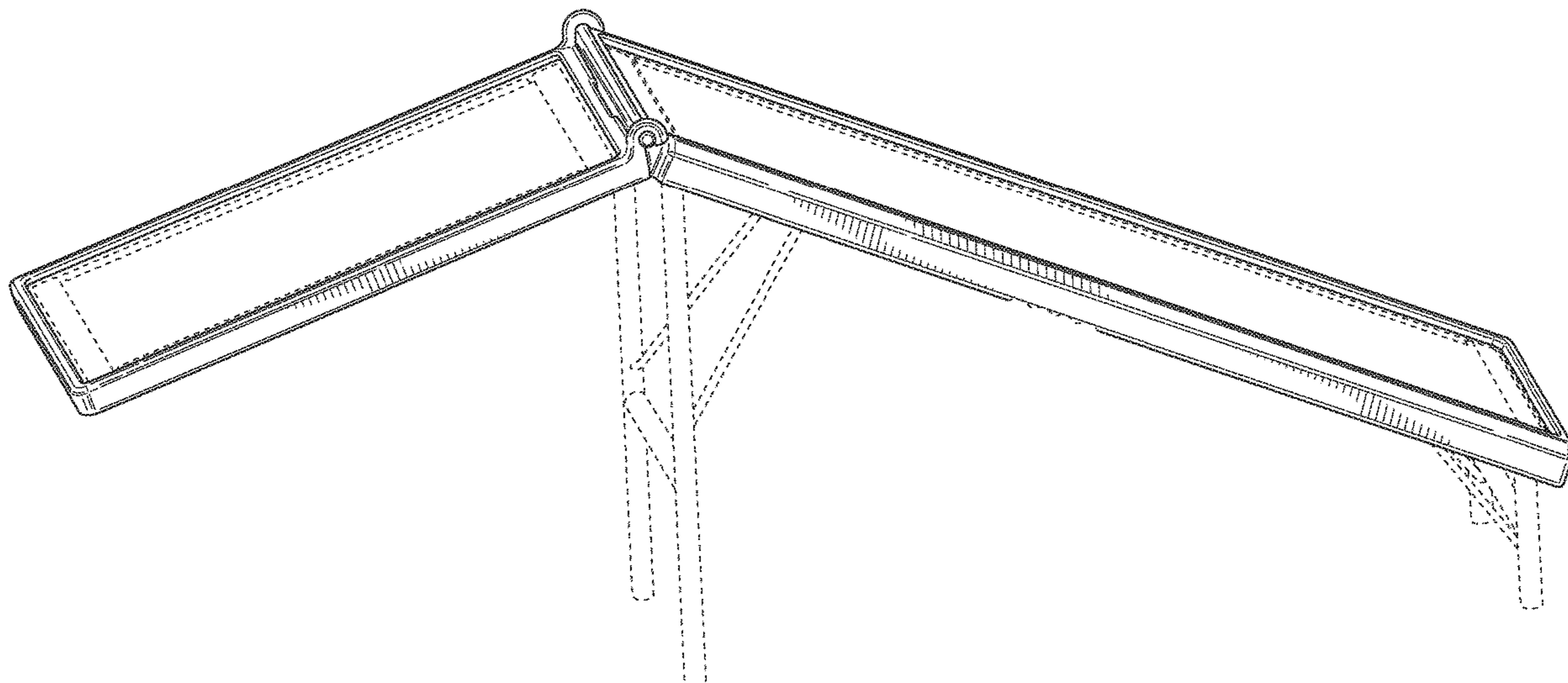
(57) **CLAIM**

The ornamental design for a pet ramp, as shown and described.

**DESCRIPTION**

FIG. 1 is a side perspective view of a pet ramp in accordance with our new design;  
 FIG. 2 is a front view of the pet ramp shown in FIG. 1;  
 FIG. 3 is a rear view of the pet ramp shown in FIG. 1;  
 FIG. 4 is a first side view of the pet ramp shown in FIG. 1;  
 FIG. 5 is a second side view of the pet ramp shown in FIG. 1;  
 FIG. 6 is a top view of the pet ramp shown in FIG. 1;  
 FIG. 7 is a bottom view of the pet ramp shown in FIG. 1;  
 FIG. 8 is a bottom perspective view of the pet ramp shown in FIG. 1 in a collapsed position; and,  
 FIG. 9 is a top perspective view of the pet ramp shown in FIG. 1 in the collapsed position.  
 All broken lines appearing in the drawings are for illustrative purposes and/or represent unclaimed subject matter and form no part of the claimed design.

**1 Claim, 8 Drawing Sheets**



US D911,637 S

<p>(56)</p> <p><b>References Cited</b></p> <p>U.S. PATENT DOCUMENTS</p> <p>D361,642 S * 8/1995 Smith ..... D34/32</p> <p>D373,885 S * 9/1996 Holland, Jr. .... D34/32</p> <p>D382,676 S * 8/1997 Holbrook ..... D30/119</p> <p>5,870,788 A 2/1999 Witkin</p> <p>6,010,298 A * 1/2000 Cohn ..... A61G 3/061 414/522</p> <p>D420,175 S * 2/2000 Garrels, Jr. .... D30/119</p> <p>6,179,545 B1 * 1/2001 Petersen, Jr. .... A61G 3/061 14/71.7</p> <p>6,343,908 B1 * 2/2002 Oudsten ..... A61G 3/061 414/537</p> <p>6,430,769 B1 * 8/2002 Allen ..... A61G 3/061 14/69.5</p> <p>6,484,343 B1 11/2002 Phillips</p> <p>6,484,344 B1 * 11/2002 Cooper ..... A61G 3/061 14/71.1</p> <p>6,536,064 B1 * 3/2003 Swink ..... B60P 1/431 14/69.5</p> <p>6,602,041 B2 * 8/2003 Lewis ..... A61G 3/061 414/537</p> <p>6,715,177 B1 * 4/2004 Lagergren-Julander ..... B60P 1/433 119/847</p> <p>6,968,810 B2 11/2005 Bishop</p> <p>7,004,308 B2 2/2006 Parks et al.</p> <p>7,043,789 B2 * 5/2006 Morrish ..... A61G 3/061 14/69.5</p> <p>7,222,838 B1 5/2007 Ji</p> <p>7,225,492 B2 6/2007 Pratt</p> <p>7,264,433 B2 * 9/2007 Navarro ..... B60P 1/431 414/537</p> <p>7,299,517 B1 * 11/2007 Adinolfe ..... B65G 69/30 14/69.5</p> <p>7,326,024 B2 * 2/2008 Cohn ..... B60P 1/4457 414/546</p> <p>7,347,476 B2 * 3/2008 Luehr ..... B60J 5/108 296/146.8</p> <p>7,467,436 B1 * 12/2008 Jones ..... E04F 11/002 14/69.5</p> <p>7,493,874 B2 * 2/2009 Simpson ..... A01K 1/0272 119/849</p> <p>7,526,826 B2 * 5/2009 Bailie ..... B65G 69/30 14/69.5</p> <p>7,533,432 B2 * 5/2009 Morris ..... A61G 3/061 14/71.3</p> <p>7,533,433 B2 * 5/2009 Morris ..... A61G 3/061 14/71.3</p> <p>7,533,434 B2 * 5/2009 Morris ..... A61G 3/061 14/71.3</p> <p>D599,062 S * 8/2009 Jakubowski ..... D30/199</p> <p>D604,018 S * 11/2009 Simpson ..... D30/160</p> <p>7,621,236 B2 11/2009 Steffey et al.</p> <p>7,681,272 B2 * 3/2010 Morris ..... A61G 3/061 14/71.3</p> <p>7,870,630 B2 * 1/2011 Johnson ..... E01D 19/00 14/71.1</p> <p>7,870,631 B2 * 1/2011 Morris ..... A61G 3/061 14/71.3</p> <p>8,032,963 B2 * 10/2011 Morris ..... B60R 3/02 14/71.3</p> <p>D653,820 S * 2/2012 Haaf ..... D30/160</p> <p>8,117,994 B1 * 2/2012 Goodlow ..... A01K 1/035 119/849</p> <p>8,122,552 B2 * 2/2012 Morris ..... A61G 3/061 14/71.3</p> <p>8,122,553 B1 * 2/2012 Johnson ..... B60P 1/433 14/71.3</p> <p>8,166,594 B1 * 5/2012 Morris ..... B60P 1/433 14/71.3</p> <p>8,181,300 B1 * 5/2012 Johnson ..... B60P 1/433 14/71.3</p>	<p>8,230,539 B2 * 7/2012 Morris ..... B60P 1/433 14/71.1</p> <p>8,250,693 B1 * 8/2012 Johnson ..... B60P 1/433 14/71.3</p> <p>8,327,486 B2 * 12/2012 Fontaine ..... B60P 1/433 14/71.1</p> <p>8,375,496 B1 * 2/2013 Johnson ..... A61G 3/061 14/71.3</p> <p>8,402,660 B1 * 3/2013 Johnson ..... B60P 1/433 29/897.2</p> <p>8,434,181 B1 * 5/2013 Johnson ..... B65G 69/30 14/71.3</p> <p>8,469,831 B2 6/2013 Jobe</p> <p>8,561,549 B2 * 10/2013 Charbonneau ..... B60J 5/108 105/348</p> <p>8,590,159 B1 * 11/2013 Johnson ..... B65G 69/30 29/897.2</p> <p>D696,821 S * 12/2013 Haaf ..... D30/160</p> <p>8,635,729 B1 * 1/2014 Johnson ..... B60P 1/433 14/71.3</p> <p>8,695,141 B1 * 4/2014 Villareal ..... B65G 69/30 14/69.5</p> <p>8,769,823 B1 * 7/2014 Johnson ..... B60P 1/433 29/897.2</p> <p>D712,112 S * 8/2014 Leum ..... D34/32</p> <p>8,869,333 B2 * 10/2014 Johnson ..... B60P 1/433 14/71.3</p> <p>8,926,254 B2 * 1/2015 Pocobello ..... A61G 3/061 414/537</p> <p>8,938,837 B1 * 1/2015 Johnson ..... B60P 1/433 14/71.3</p> <p>D729,462 S * 5/2015 Jakubowski ..... D30/199</p> <p>9,050,229 B1 * 6/2015 Morris ..... A61G 3/061</p> <p>D736,484 S * 8/2015 Jakubowski ..... D30/199</p> <p>D736,485 S 8/2015 Jakubowski et al.</p> <p>9,101,519 B2 * 8/2015 Smith ..... A61G 5/08</p> <p>9,174,113 B2 * 11/2015 Thompson ..... E01C 13/003</p> <p>9,271,883 B2 * 3/2016 Johnson ..... A61G 3/061</p> <p>D756,573 S * 5/2016 Jakubowski ..... D30/199</p> <p>9,440,808 B2 9/2016 Gienza et al.</p> <p>9,441,333 B2 9/2016 McIntosh</p> <p>9,694,997 B2 7/2017 Lopez</p> <p>9,775,326 B1 * 10/2017 MacNeil ..... A01K 1/035</p> <p>9,776,547 B2 10/2017 Lin</p> <p>9,920,535 B2 * 3/2018 Belman ..... E04F 11/002</p> <p>10,190,310 B2 * 1/2019 Duffield ..... E04B 1/34815</p> <p>D846,813 S * 4/2019 MacNeil ..... D30/119</p> <p>D848,079 S * 5/2019 MacNeil ..... D30/119</p> <p>D871,682 S * 12/2019 MacNeil ..... D30/119</p> <p>D891,002 S * 7/2020 MacNeil ..... D30/119</p> <p>2002/0197141 A1 * 12/2002 Cohn ..... B60P 1/431 414/537</p> <p>2003/0007853 A1 * 1/2003 Cohn ..... B60R 3/02 414/537</p> <p>2003/0140433 A1 7/2003 Rieber</p> <p>2003/0213072 A1 * 11/2003 Myrick ..... A01K 1/035 14/69.5</p> <p>2004/0096304 A1 * 5/2004 Lewis ..... B60P 1/433 414/537</p> <p>2004/0136820 A1 * 7/2004 Cohn ..... B60P 1/43 414/537</p> <p>2005/0055783 A1 * 3/2005 Peschmann ..... B65G 69/30 14/69.5</p> <p>2005/0115522 A1 * 6/2005 Bishop ..... A01K 1/035 119/847</p> <p>2006/0191490 A1 * 8/2006 Lamstein ..... A01K 15/024 119/706</p> <p>2006/0220410 A1 * 10/2006 Luehr ..... B62D 33/03 296/61</p> <p>2006/0245883 A1 * 11/2006 Fontaine ..... B60P 1/431 414/537</p> <p>2007/0074675 A1 4/2007 Tu</p> <p>2007/0234491 A1 * 10/2007 Bailie ..... E04G 27/00 14/69.5</p> <p>2008/0105215 A1 * 5/2008 Simpson ..... A01K 1/035 119/849</p>
---	---

(56)

**References Cited**

U.S. PATENT DOCUMENTS

2008/0187425	A1*	8/2008	Morris	.....	A61G 3/061	414/537
2008/0196675	A1*	8/2008	Murrer	.....	A01K 15/024	119/706
2008/0271267	A1*	11/2008	Morris	.....	A61G 3/061	14/71.1
2008/0271268	A1*	11/2008	Johnson	.....	A61G 3/061	14/71.1
2009/0035113	A1*	2/2009	Morris	.....	B60P 1/433	414/537
2009/0188439	A1*	7/2009	Simpson	.....	A01K 15/024	119/706
2009/0271934	A1*	11/2009	Morris	.....	A61G 3/061	14/71.3
2009/0300859	A1*	12/2009	Lucht	.....	E04F 11/002	14/69.5
2011/0008140	A1*	1/2011	Hansen	.....	A61G 3/067	414/523
2011/0072598	A1*	3/2011	Morris	.....	A61G 3/067	14/69.5
2012/0030886	A1*	2/2012	Persson	.....	B60R 3/02	14/71.1
2012/0132480	A1*	5/2012	Gomez Varela	.....	E04F 11/002	182/21
2014/0237739	A1*	8/2014	Thompson	.....	A63C 19/10	14/2.4
2015/0052693	A1*	2/2015	Allen	.....	A61G 3/061	14/71.1
2015/0068136	A1*	3/2015	Duffield	.....	E04H 1/1205	52/79.5
2016/0302381	A1*	10/2016	Asposito	.....	A01K 1/035	
2017/0121962	A1*	5/2017	Duffield	.....	E04B 1/34331	
2017/0275886	A1*	9/2017	Ueno	.....	E04F 11/002	
2019/0283986	A1*	9/2019	Morrish	.....	B65G 69/287	
2020/0037582	A1*	2/2020	Caterson	.....	A01K 1/035	
2020/0085188	A1*	3/2020	Feldman	.....	A47B 96/028	
2020/0308842	A1*	10/2020	Jakubowski	.....	E04F 11/002	

\* cited by examiner

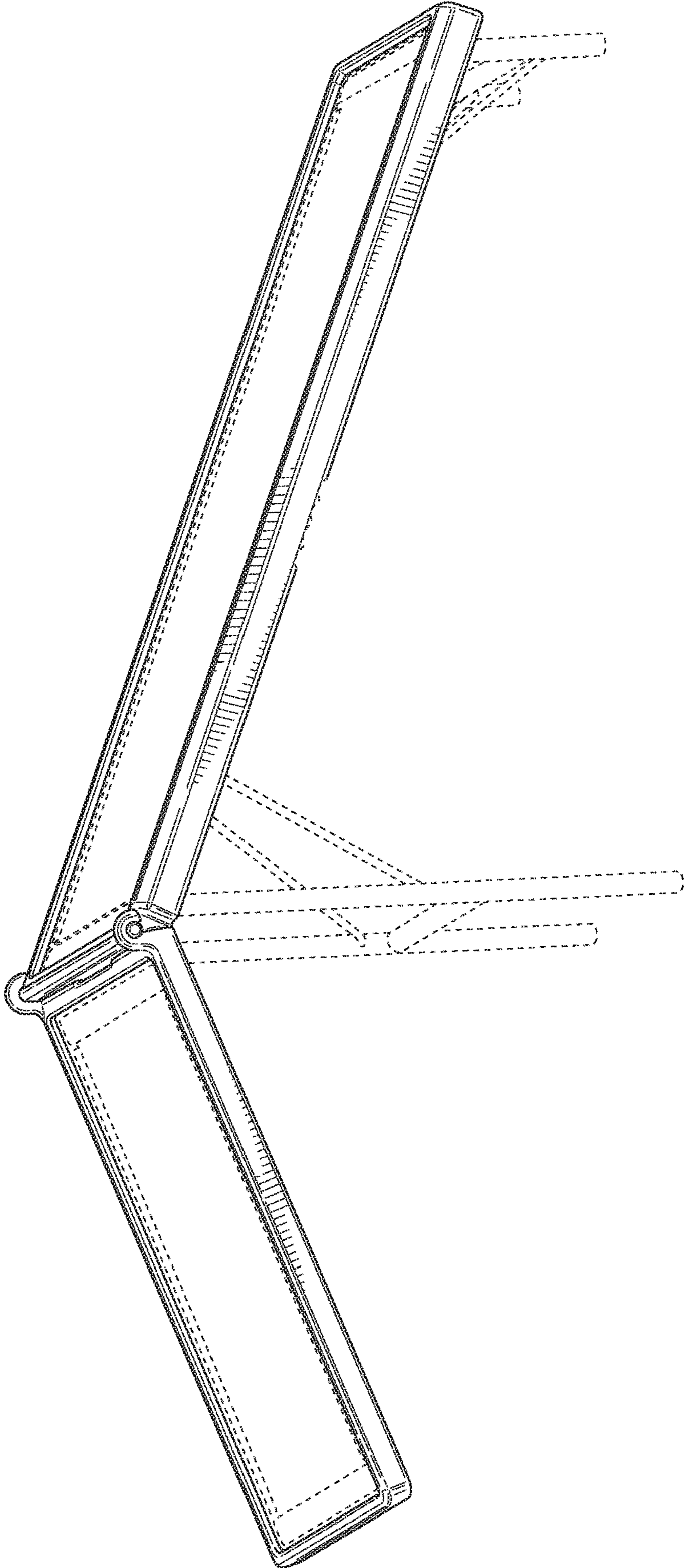


FIG. 1

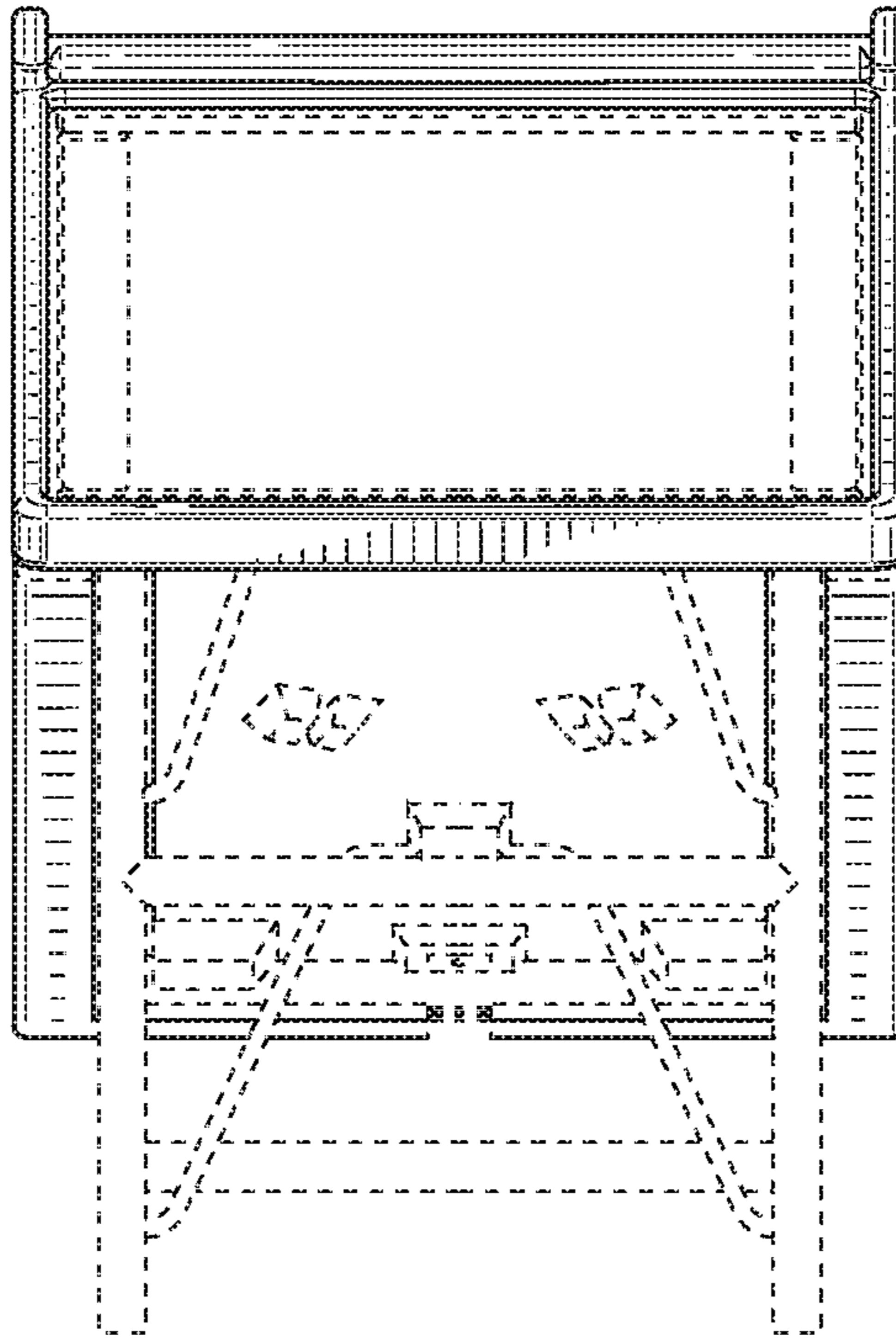


FIG. 2

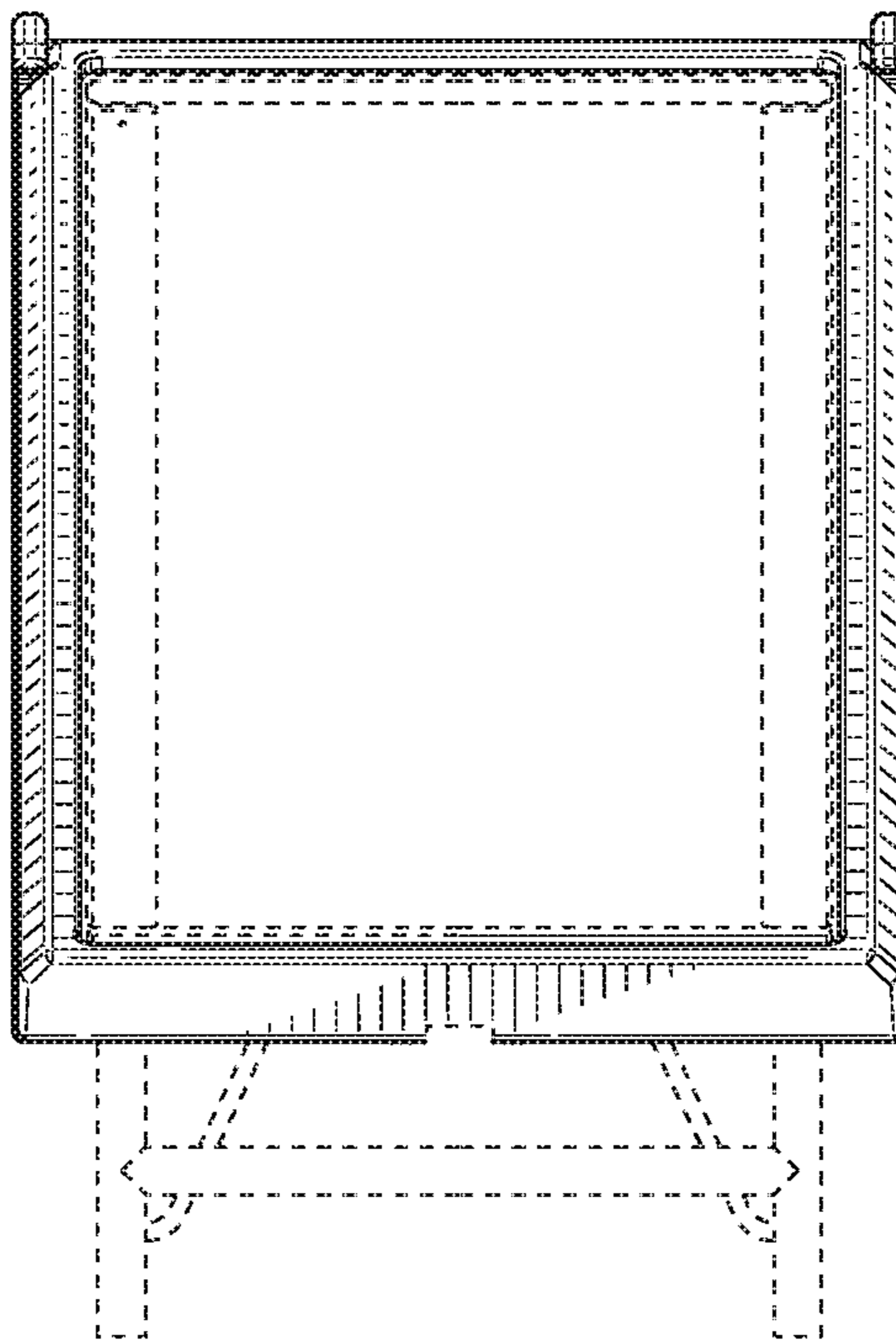


FIG. 3

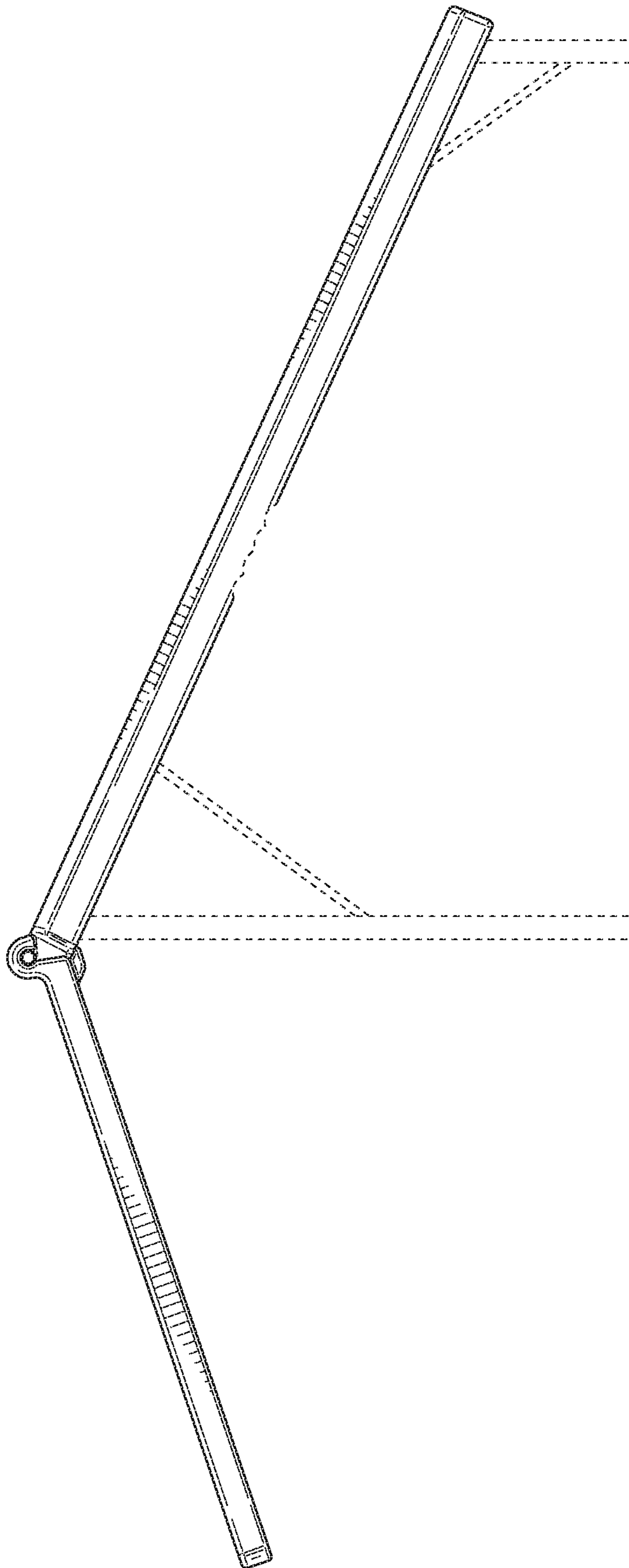


FIG. 4

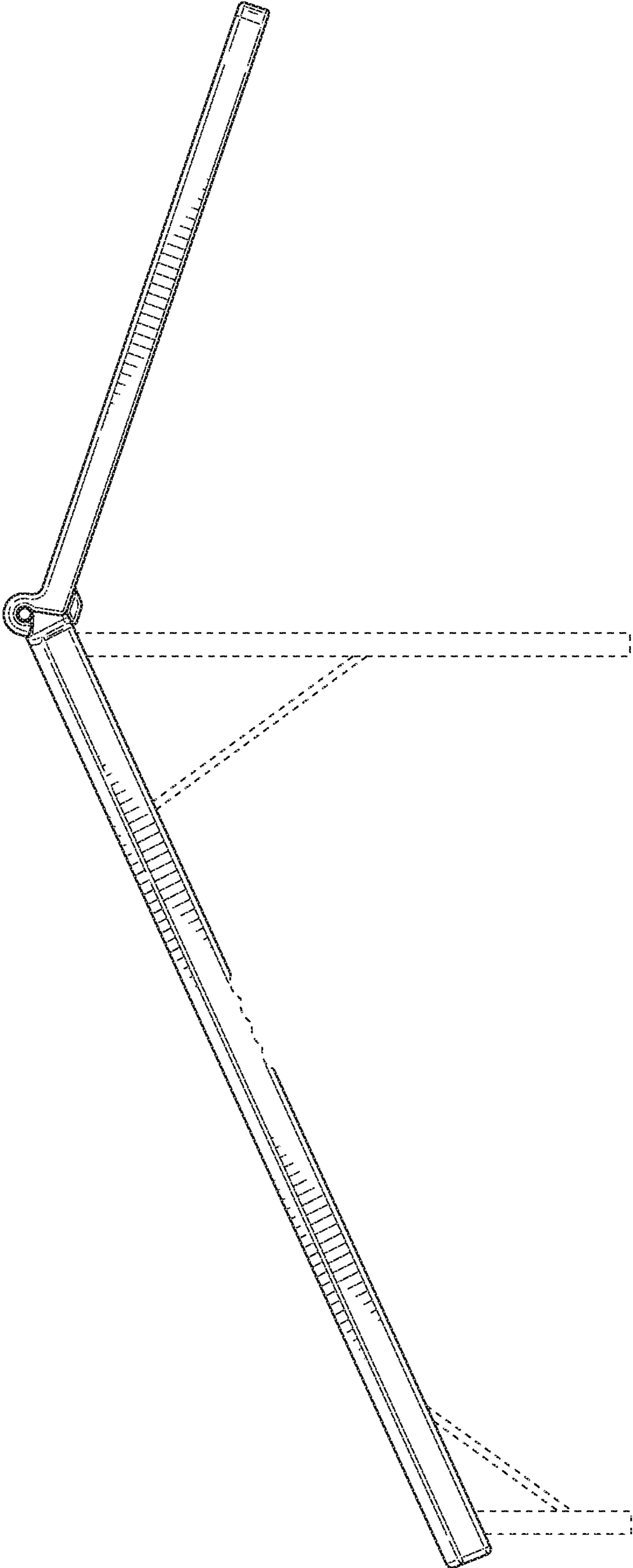


FIG. 5

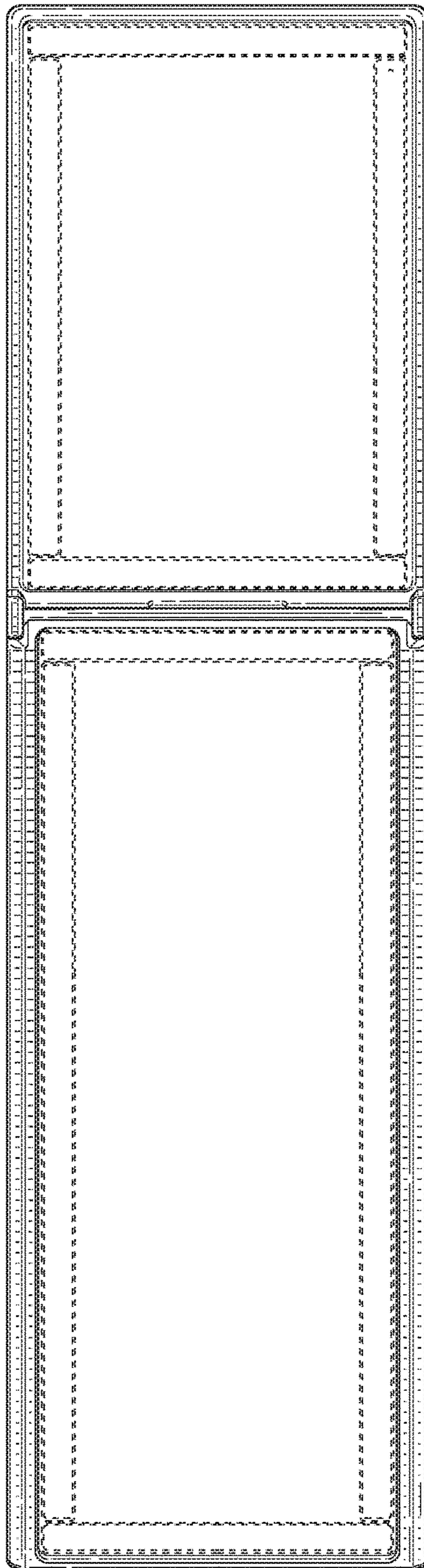


FIG. 6



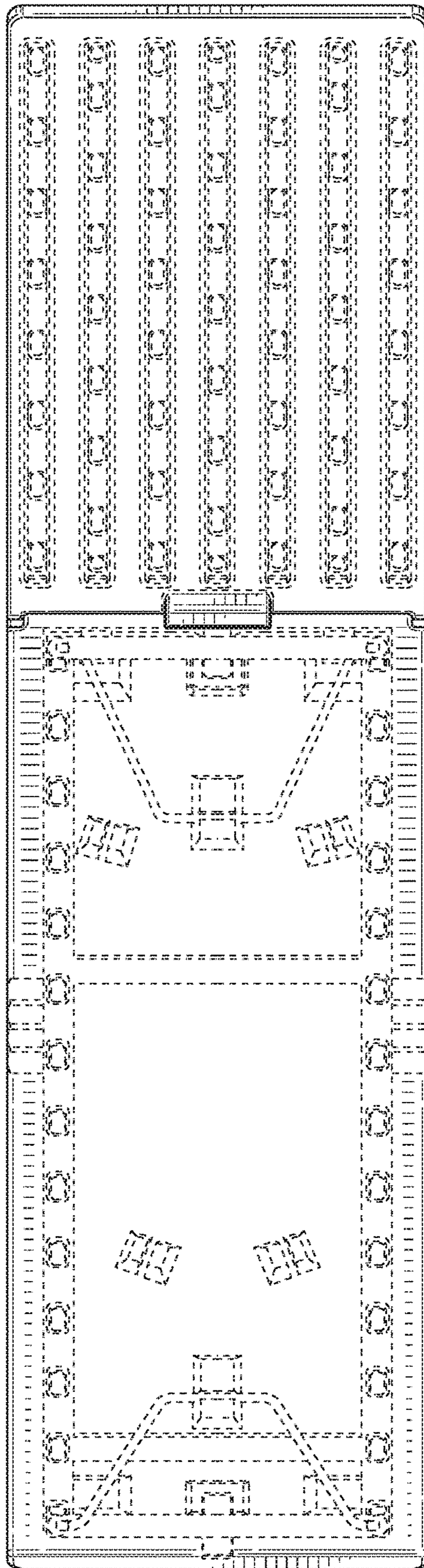


FIG. 7

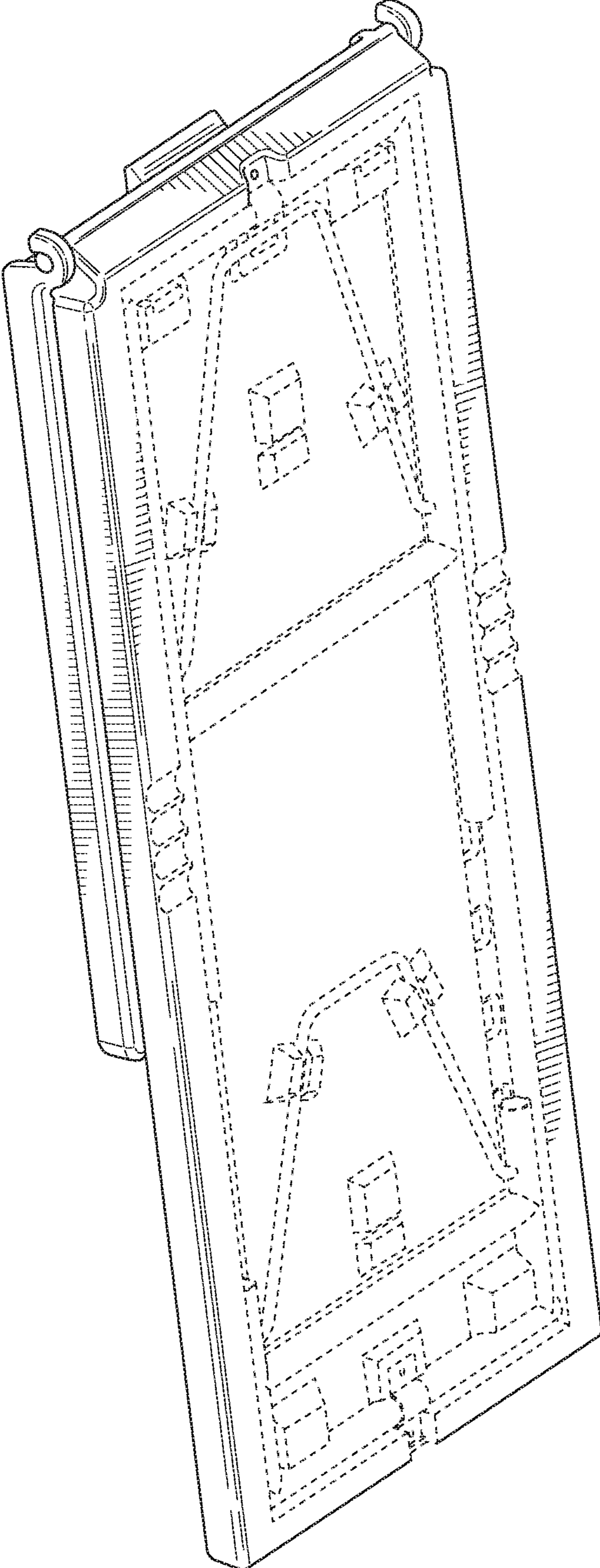


FIG. 8

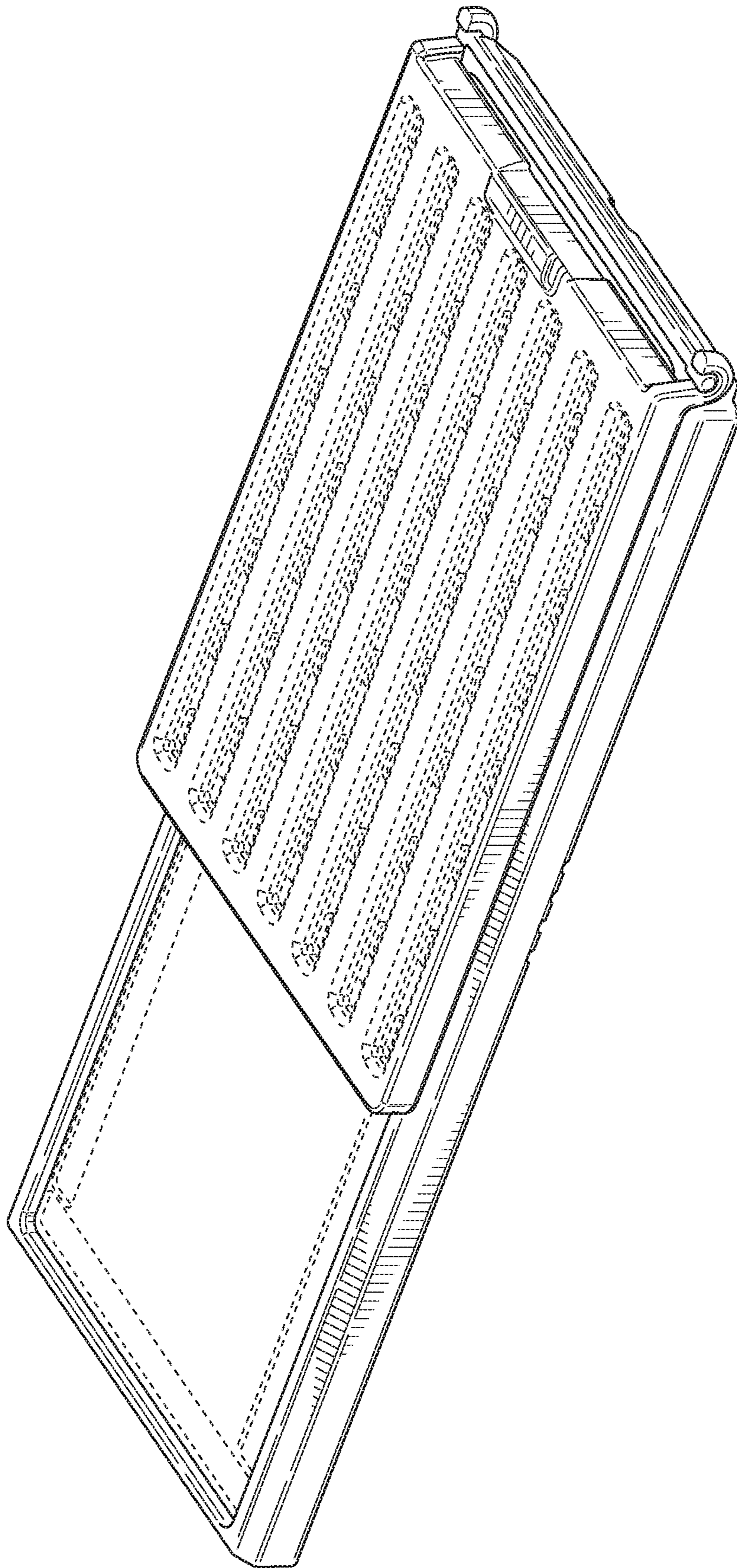


FIG. 9