



US00D911633S

(12) **United States Design Patent** (10) **Patent No.:** **US D911,633 S**
Ryan (45) **Date of Patent:** **** Feb. 23, 2021**

(54) **CAT SCRATCHER**

- (71) Applicant: **WISKI LLC**, Westport, CT (US)
- (72) Inventor: **Evan L. Ryan**, Highland Park, IL (US)
- (73) Assignee: **Wiski LLC**, Westport, CT (US)
- (**) Term: **15 Years**
- (21) Appl. No.: **29/635,070**
- (22) Filed: **Jan. 26, 2018**

Related U.S. Application Data

- (62) Division of application No. 29/579,053, filed on Sep. 27, 2016, now abandoned.
- (51) **LOC (13) Cl.** **30-99**
- (52) **U.S. Cl.**
USPC **D30/160**
- (58) **Field of Classification Search**
USPC D30/108-109, 158, 160-161; D23/269;
D8/354; D7/362.2, 509, 529; D21/402,
D21/415, 438, 563; 119/707-708, 727,
119/741, 801, 868
CPC A01K 1/001; A01K 15/02
See application file for complete search history.

(56) **References Cited**

U.S. PATENT DOCUMENTS

- D215,718 S * 10/1969 Radeke D23/348
- 4,167,177 A * 9/1979 Wiggins F24B 1/181
126/508
- D338,283 S * 8/1993 Pfriendler D30/108
- D400,814 S * 11/1998 Sheng D10/113.2
- D426,034 S * 5/2000 Faulstich D30/108
- 6,425,348 B1 * 7/2002 Twain A01K 1/033
119/482
- 6,556,147 B1 * 4/2003 Fisher E01F 9/617
116/63 C
- D514,463 S * 2/2006 Levine D10/113.2
- D519,942 S * 5/2006 Krozack D13/174

(Continued)

OTHER PUBLICATIONS

“Wiski Cone Scratcher”, Web text copyrighted 2017 [online], [retrieved Nov. 13, 2019]. Retrieved from internet, http://coolstuffforcats.com/scratch-beautifully-cone-wiski.*

(Continued)

Primary Examiner — Sandra Snapp

Assistant Examiner — Mehri Bajoul

(74) *Attorney, Agent, or Firm* — Zollinger & Burleson Ltd.

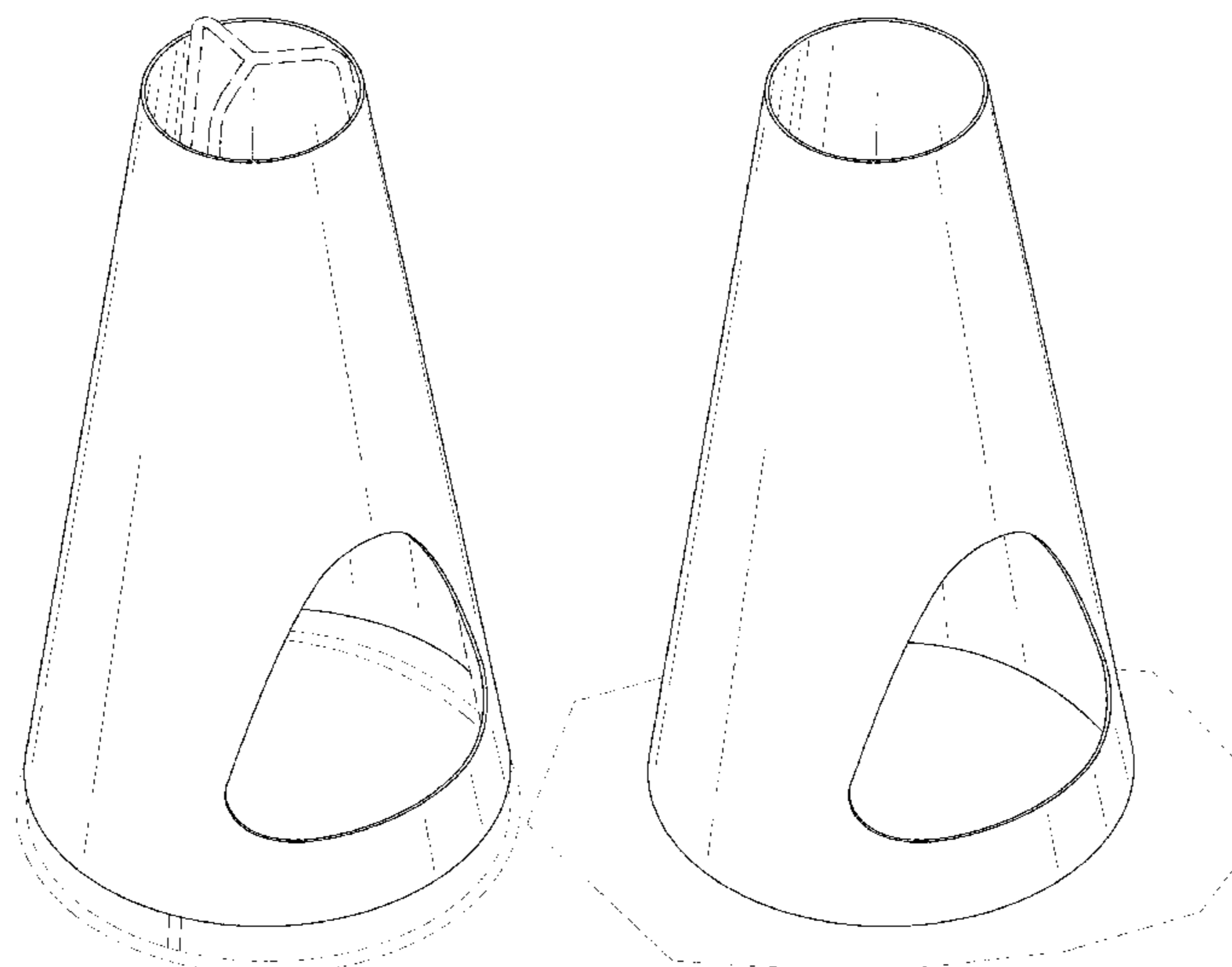
(57) **CLAIM**

The ornamental design for a cat scratcher, as shown and described.

DESCRIPTION

FIG. 1 is a perspective view of a first embodiment of the cat scratcher showing my new design.
 FIG. 2 is a front elevation view thereof.
 FIG. 3 is a right side elevation view thereof.
 FIG. 4 is a rear elevation view thereof.
 FIG. 5 is a left side elevation view thereof.
 FIG. 6 is a top plan view thereof.
 FIG. 7 is a bottom view thereof.
 FIG. 8 is a perspective view of a second embodiment of the cat scratcher showing my new design.
 FIG. 9 is a front elevation view thereof.
 FIG. 10 is a right side elevation view thereof.
 FIG. 11 is a rear elevation view thereof.
 FIG. 12 is a left side elevation view thereof.
 FIG. 13 is a top plan view thereof; and,
 FIG. 14 is a bottom view thereof.
 The broken lines in FIGS. 1-7 show portions of the cat scratcher that form no part of the claimed design. The broken lines in FIGS. 8-14 illustrate environmental structure that form no part of the claimed design.

1 Claim, 12 Drawing Sheets



(56)

References Cited

U.S. PATENT DOCUMENTS

7,056,055 B1 * 6/2006 Kuo E01F 9/688
116/63 C
D542,968 S * 5/2007 Guan D27/170
7,228,813 B2 * 6/2007 Flamingo E01F 9/688
116/63 C
D579,369 S * 10/2008 Spataro D10/113.2
D592,576 S * 5/2009 Cheney D12/194
D616,728 S * 6/2010 Bucci D21/505
D649,625 S * 11/2011 DeWitt D23/269
D652,996 S * 1/2012 Campbell D30/108
D668,933 S * 10/2012 Bucci D8/354
D723,748 S * 3/2015 Rogillio D30/121
D778,194 S * 2/2017 Rich D10/113.2
D791,001 S * 7/2017 Rich D10/113.2
D800,490 S * 10/2017 Case D7/332
2005/0115509 A1 * 6/2005 Rudolph A01K 1/0107
119/165
2007/0113774 A1 * 5/2007 Kuo E01F 9/654
116/63 C
2008/0011221 A1 * 1/2008 Dvoracek E01F 9/688
116/63 C

OTHER PUBLICATIONS

“The Cone”, page published 2019 [online], [retrieved Nov. 13, 2019]. Retrieved from internet, <https://wiskicat.com/store/cone>.*

“OXGord PEt Carrier” posted Mar. 8, 2015[Onlinw],[Retrieved Apr. 12, 2020], from Internet: https://www.amazon.com/OxGord-PC_MASTER-Pet-Carrier/p/oduct-reviews/B00KXHVCN4/ref=cm_cr_getr_d_paging_btm_next_12?ie=UTF8&reviewerType=all_reviews&sortBy=recent&pageNumber=12.*

“Vann Ness Cat Pan” posted Jun. 3, 2013 [Onlinw],[Retrieved Apr. 12, 2020], from Internet: https://www.amazon.com/Van-Ness-Control-Large-Enclosed/dp/B0002ASCGC/ref=sr_1_5?dchild=1&keywords=cat%2Blitter%2Bbox&qid=1586743210&sr=8-5&th=1.*

* cited by examiner

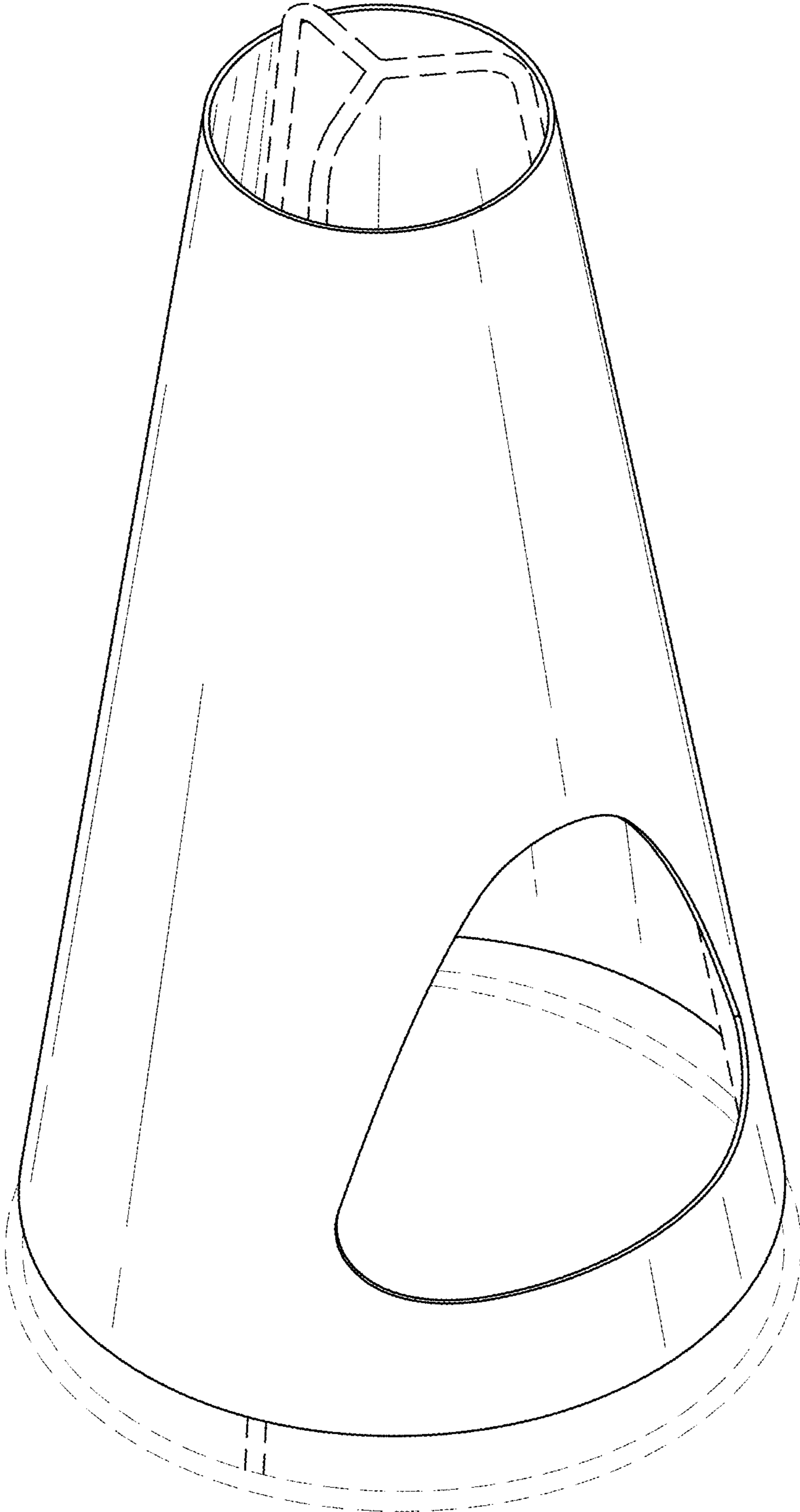


FIG. 1

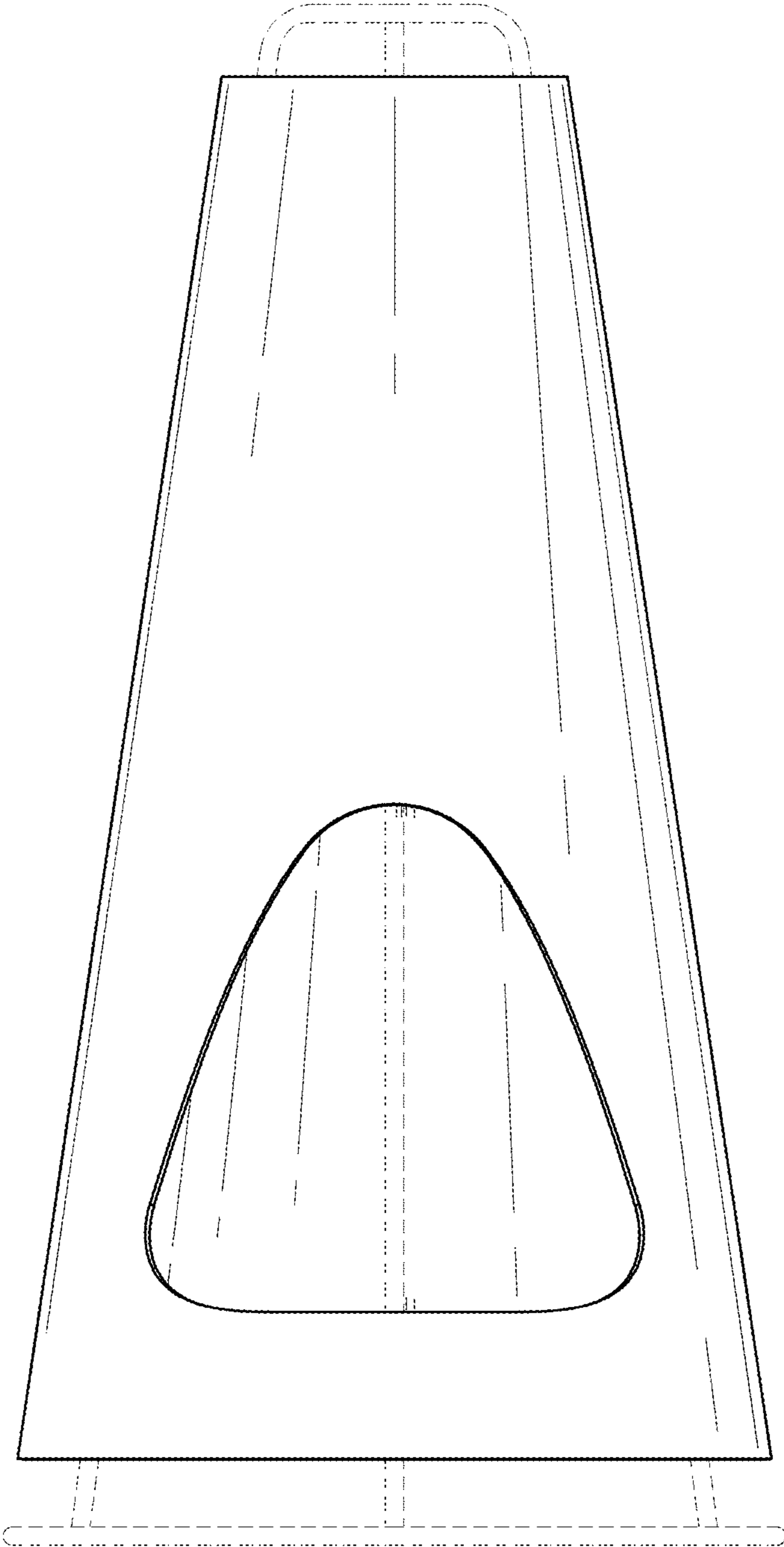


FIG. 2



FIG. 3

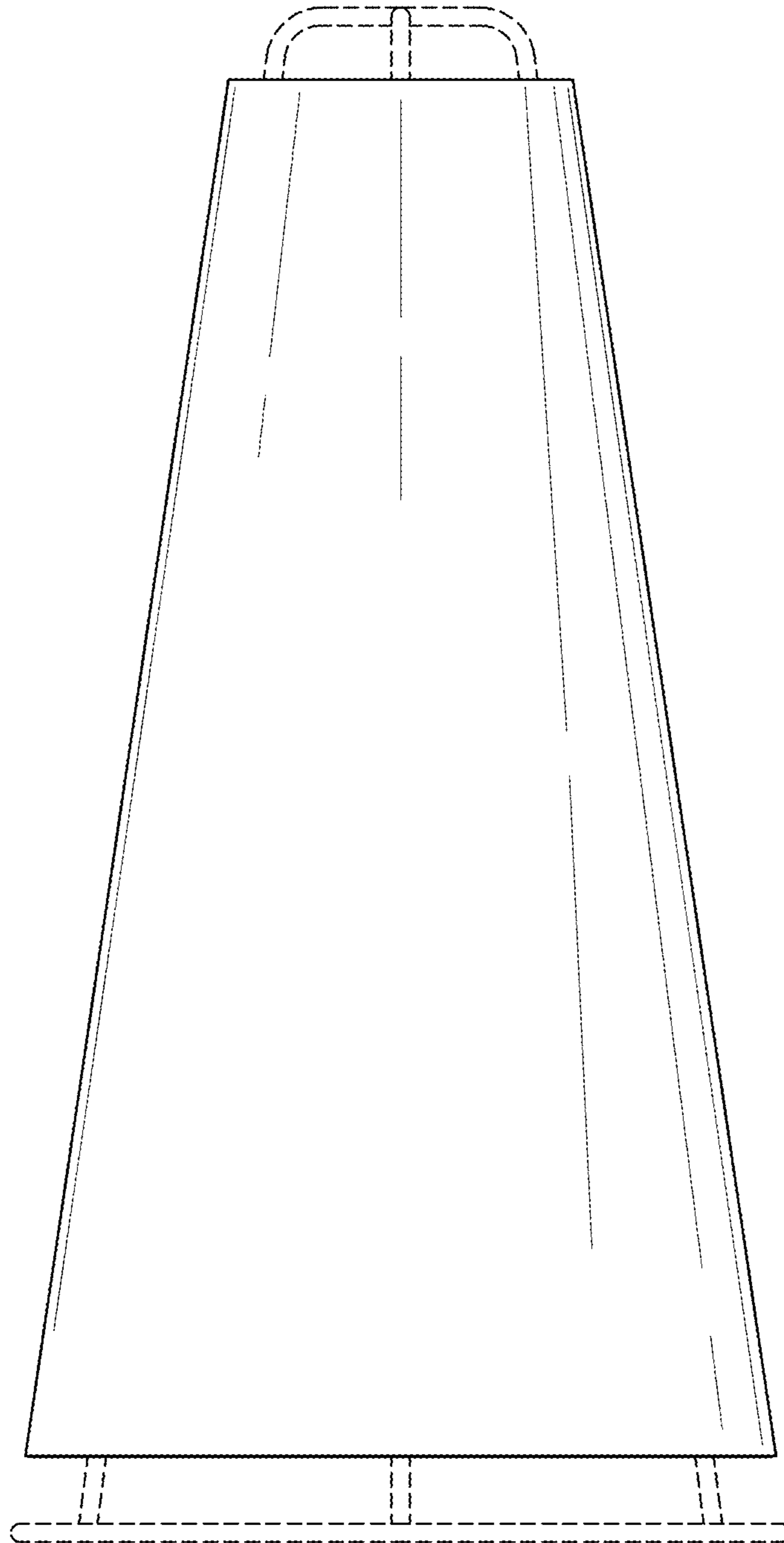


FIG. 4

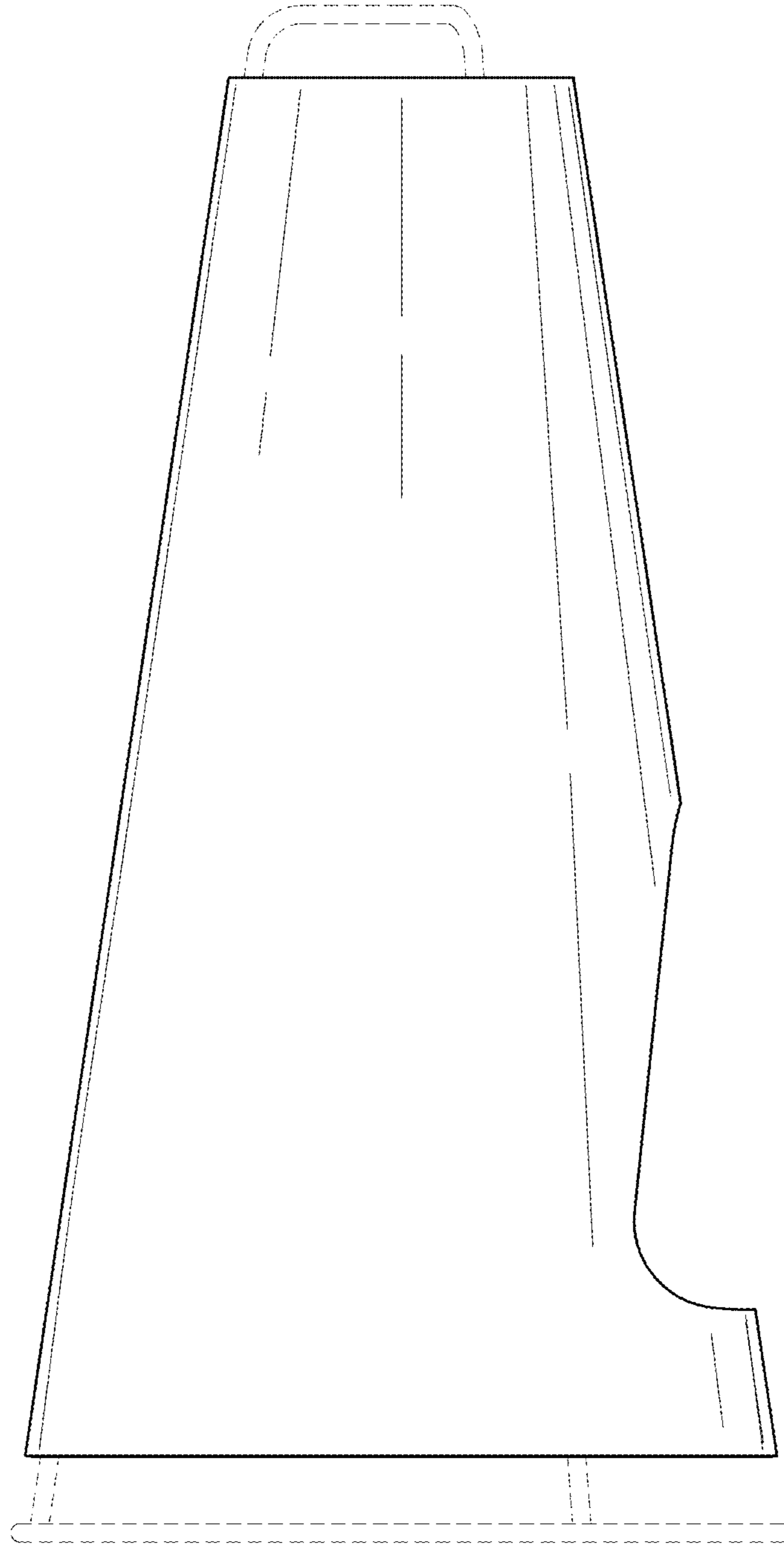


FIG. 5

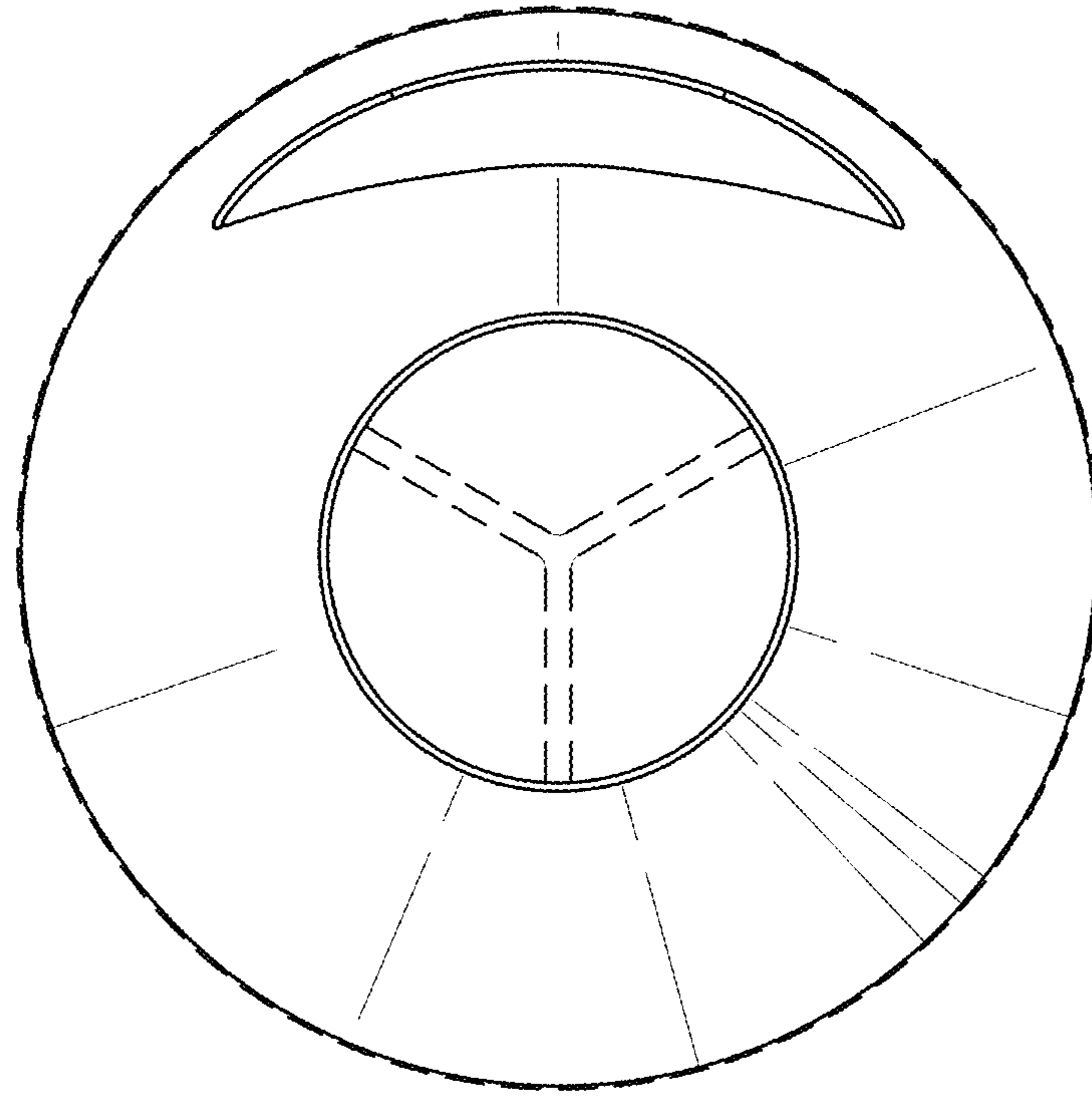


FIG. 6

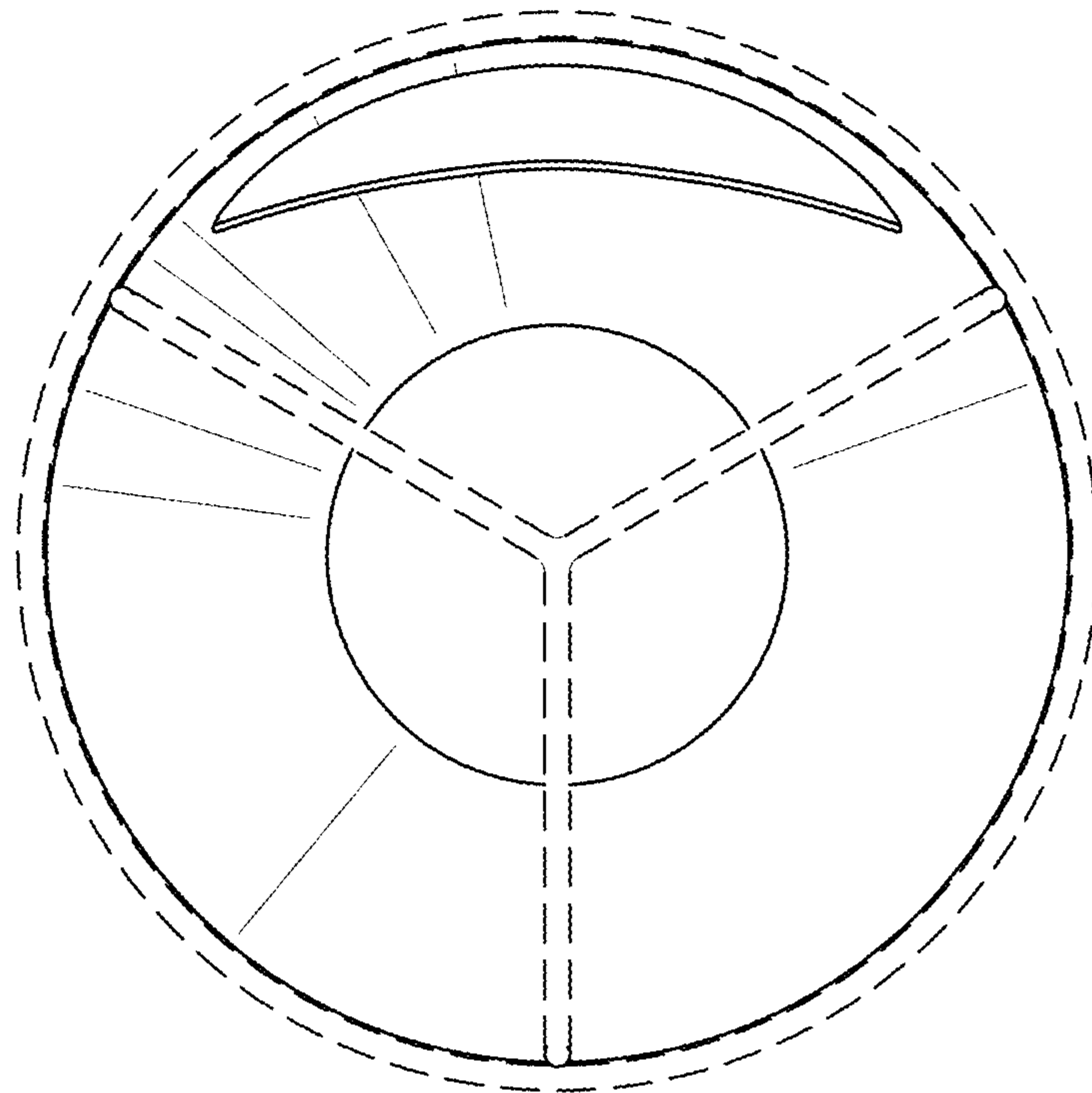


FIG. 7

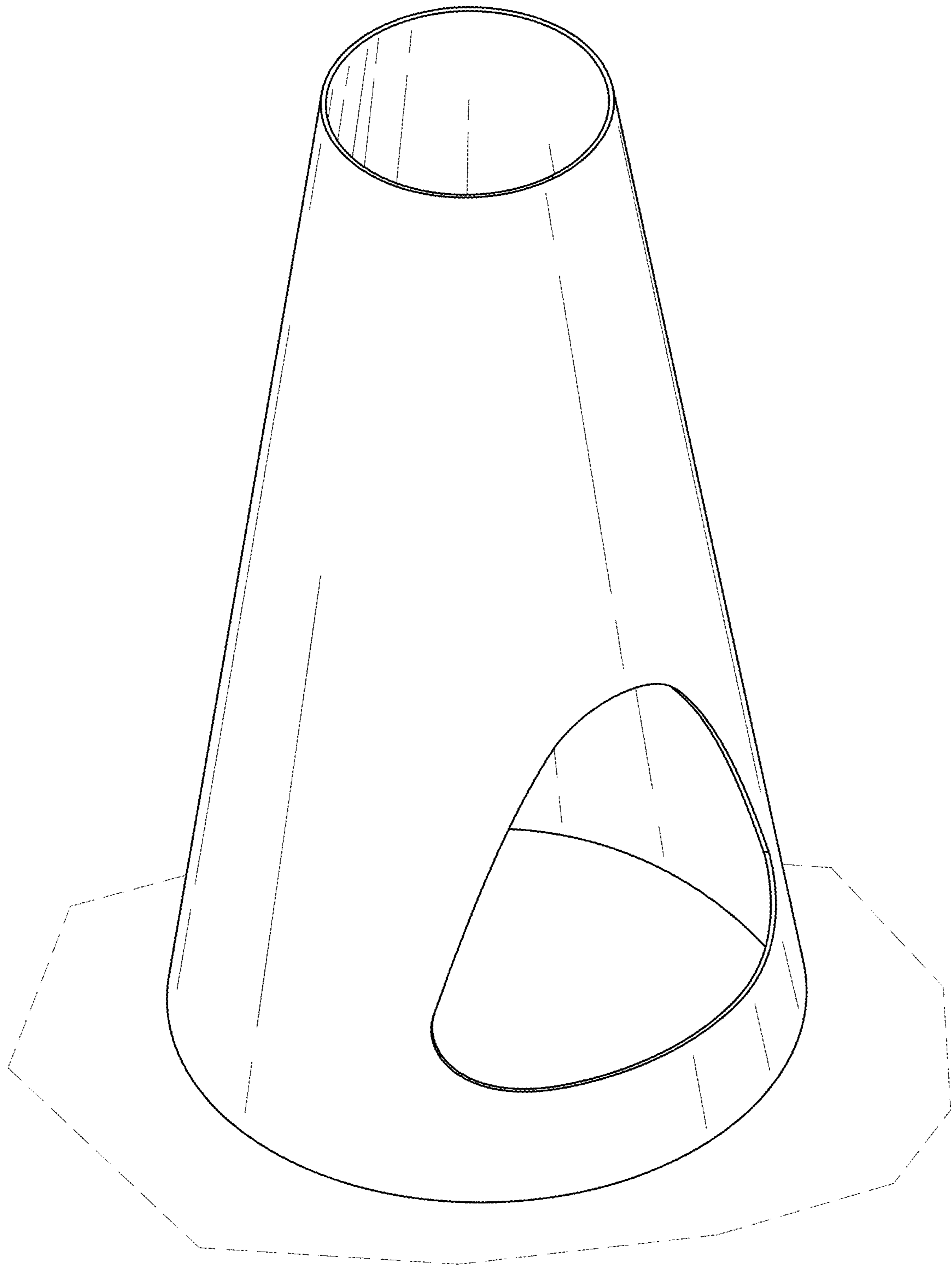


FIG. 8

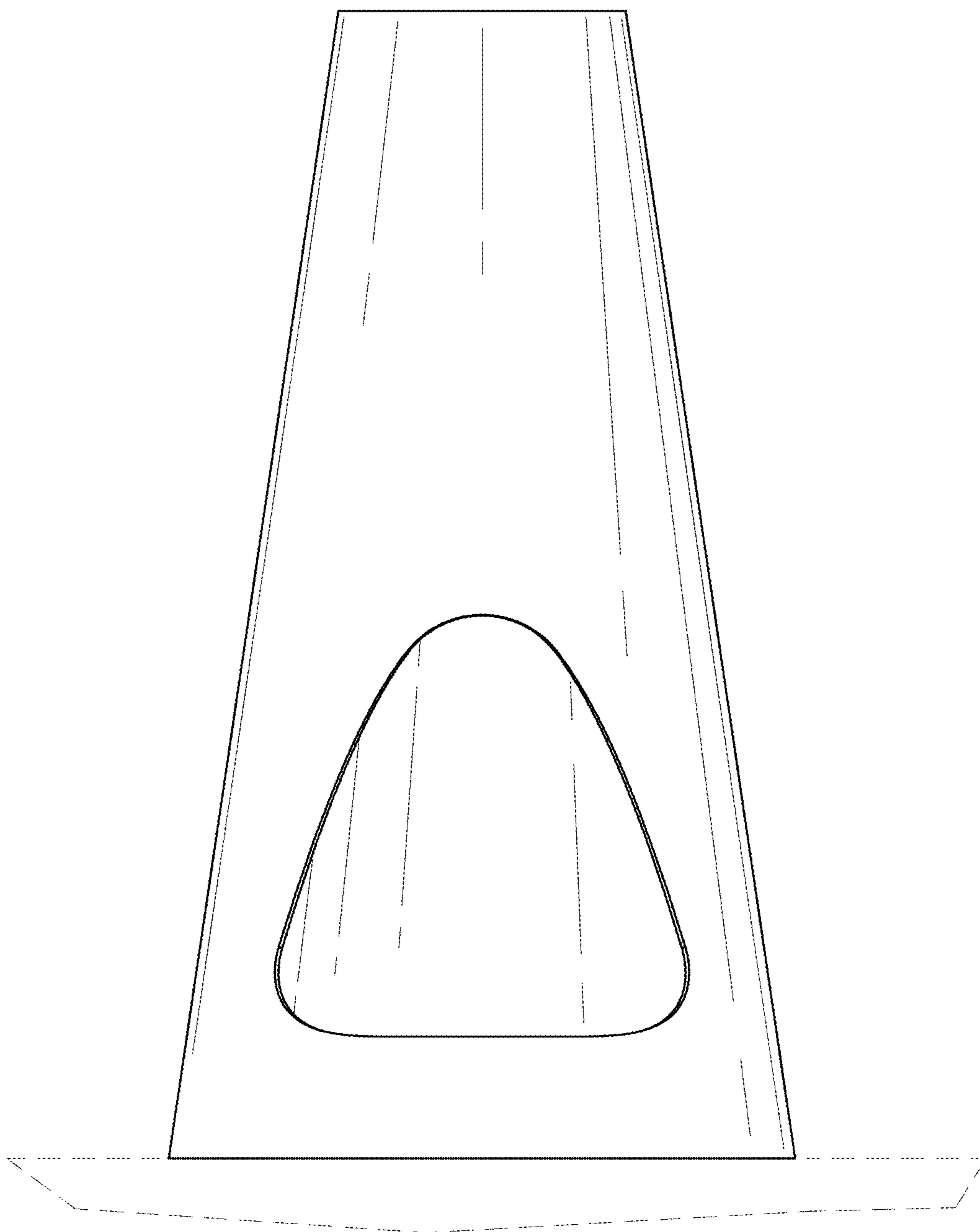


FIG. 9



FIG. 10

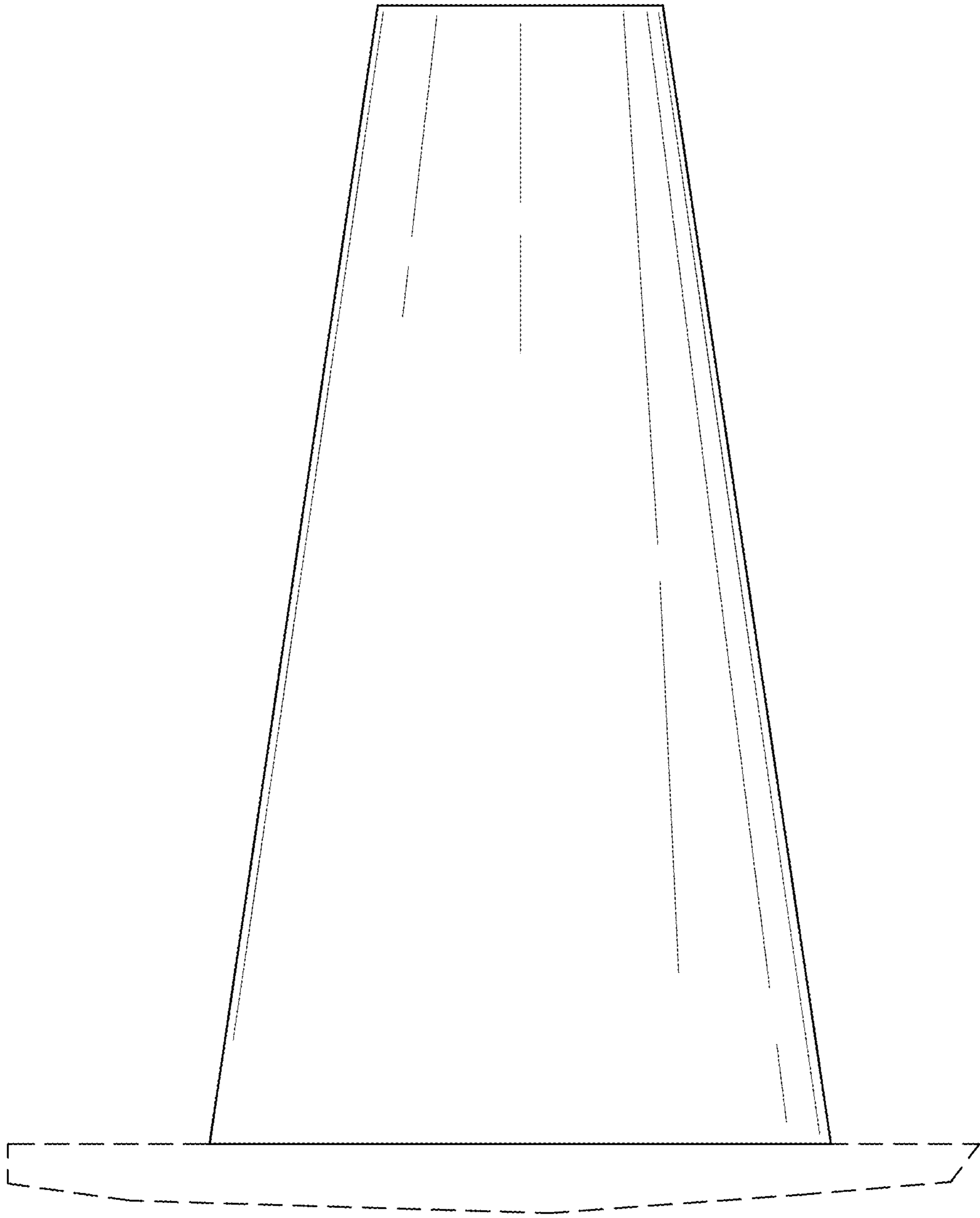


FIG. 11



FIG. 12

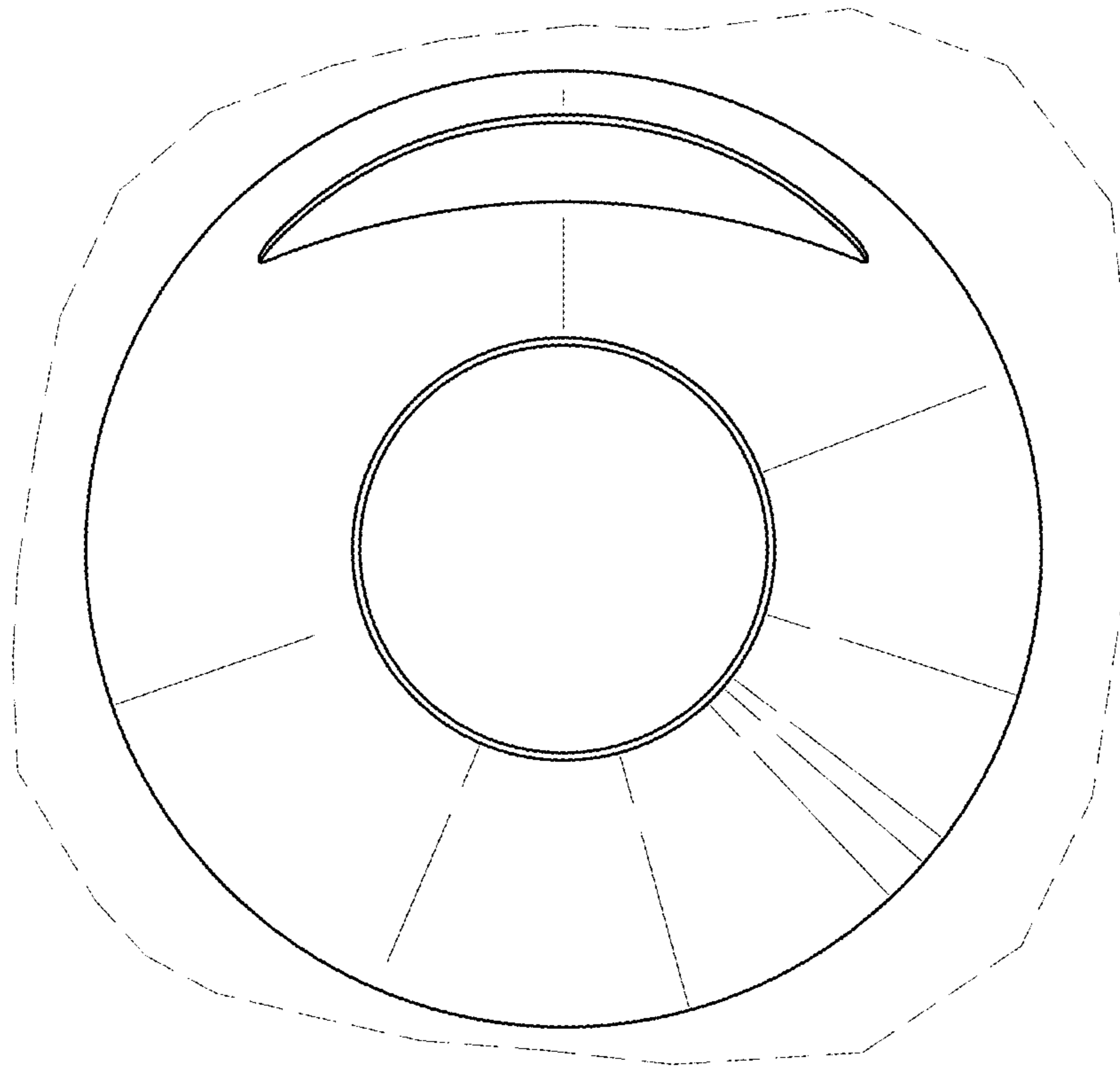


FIG. 13

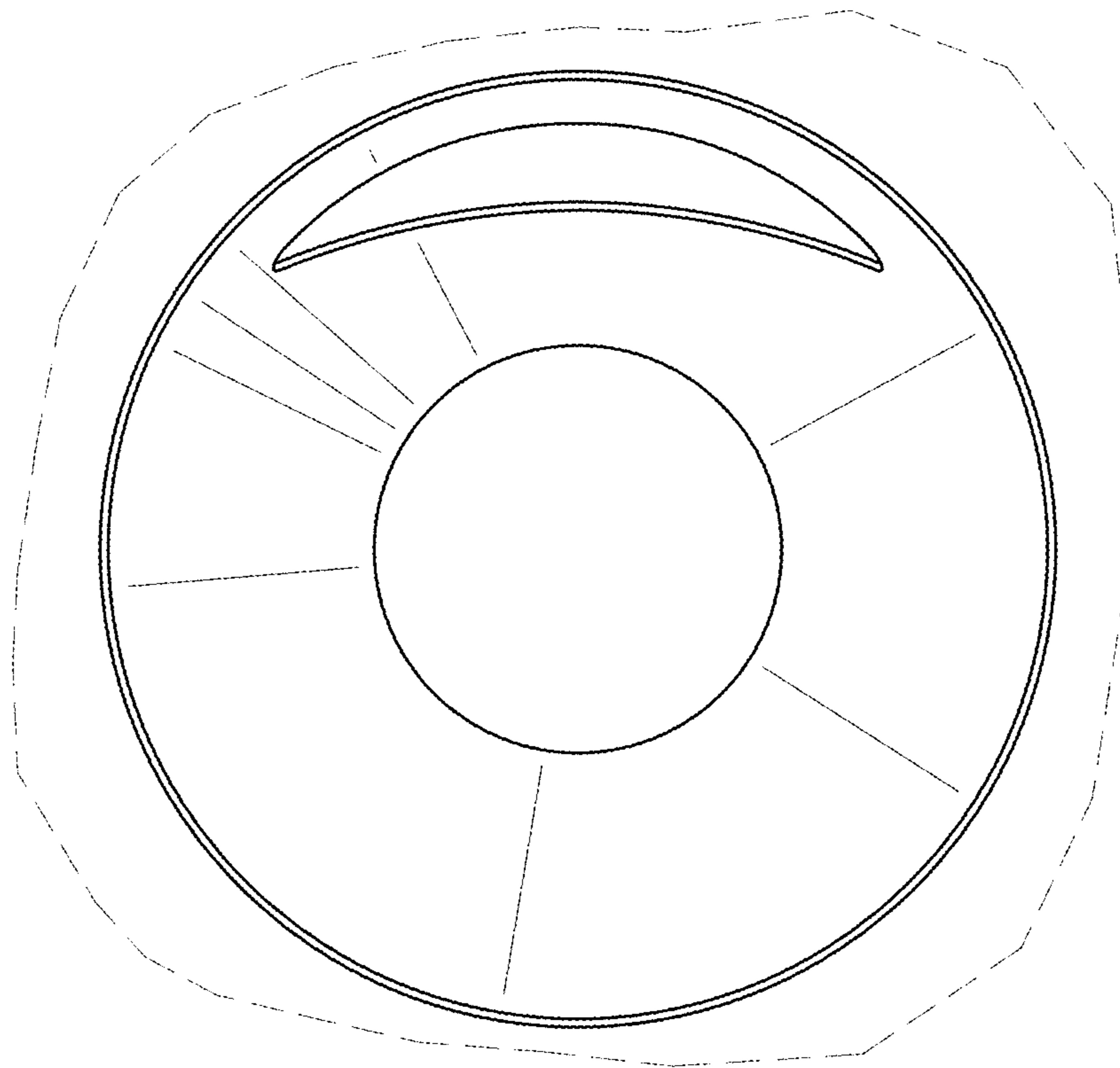


FIG. 14