



US00D911632S

(12) **United States Design Patent**  
**Gilmer**

(10) **Patent No.:** **US D911,632 S**

(45) **Date of Patent:** **\*\* \*Feb. 23, 2021**

(54) **STAKE**  
(71) Applicant: **STAKEBOSS LLC**, Hesperia, CA (US)  
(72) Inventor: **Tyrone Gilmer**, Hesperia, CA (US)  
(73) Assignee: **STAKEBOSS LLC**, Hesperia, CA (US)  
(\* ) Notice: This patent is subject to a terminal disclaimer.

(\*\*) Term: **15 Years**

(21) Appl. No.: **29/661,227**

(22) Filed: **Aug. 25, 2018**

(51) **LOC (13) Cl.** ..... **30-09**

(52) **U.S. Cl.**  
USPC ..... **D30/154**; D21/840

(58) **Field of Classification Search**  
USPC ..... D12/215; D21/700, 840; D30/154  
CPC .. A01K 1/04; A01G 9/122; E02D 5/80; E04H  
15/62; Y10S 119/905

See application file for complete search history.

(56) **References Cited**

**U.S. PATENT DOCUMENTS**

227,675 A \* 5/1880 Carnes ..... A01K 1/04  
119/780  
D16,306 S \* 9/1885 Rogers ..... D30/154  
484,998 A \* 10/1892 Comstock ..... E04H 15/62  
135/118  
716,010 A \* 12/1902 Eldridge ..... A01K 1/04  
119/786  
1,268,459 A \* 6/1918 Hjermstad ..... E02D 5/80  
52/155  
2,087,176 A \* 7/1937 Webb ..... A01K 1/04  
119/787  
D108,719 S \* 3/1938 Morgan ..... D21/700  
2,775,252 A \* 12/1956 Finch ..... E04H 15/62  
135/118

2,941,504 A \* 6/1960 Supowitz ..... A01K 15/025  
119/786  
3,241,202 A \* 3/1966 Knauft ..... E04H 15/62  
24/327  
3,244,149 A \* 4/1966 Bosko ..... A01K 27/005  
119/795  
3,285,218 A \* 11/1966 Gilbertson ..... B63B 21/243  
114/303  
3,456,660 A \* 7/1969 Borchardt ..... E04H 15/62  
135/118

(Continued)

**OTHER PUBLICATIONS**

“Tarpfang, The Beginning—StakeBoss, LLC.” Found online Apr. 1, 2020 at [www.stakeboss.com](http://www.stakeboss.com). Page dated Jan. 1, 2019. Retrieved from URL: <https://stakeboss.com/tarpfang-the-beginning/> (Year: 2019).\*

(Continued)

*Primary Examiner* — Mary Ann Calabrese  
*Assistant Examiner* — Katelin G Kloberg  
(74) *Attorney, Agent, or Firm* — Loza & Loza, LLP;  
Heidi L. Eisenhut

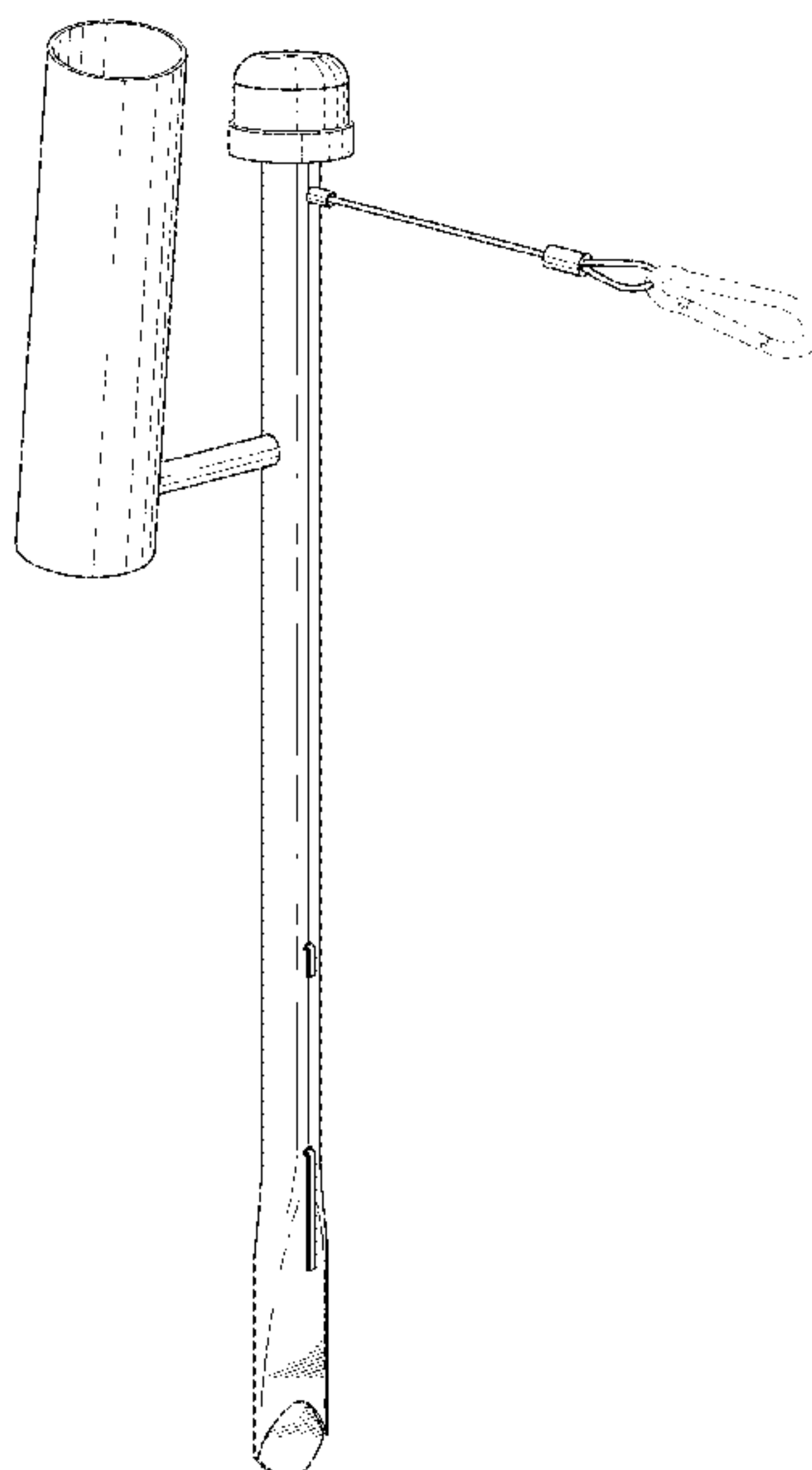
(57) **CLAIM**

The ornamental design for a stake, as shown and described.

**DESCRIPTION**

FIG. 1 is a top, back, right perspective view of a stake showing my new design;  
FIG. 2 is a right side elevation view thereof;  
FIG. 3 is a left side elevation view thereof;  
FIG. 4 is a front elevation view thereof;  
FIG. 5 is a back elevation view thereof;  
FIG. 6 is a top plan view thereof; and,  
FIG. 7 is a bottom plan view thereof.  
The broken lines depict environmental subject matter the forms no part of the claimed design.

**1 Claim, 5 Drawing Sheets**



(56)

References Cited

U.S. PATENT DOCUMENTS

D218,582 S \* 9/1970 Klester ..... D21/840  
 D243,351 S \* 2/1977 Laukhuf ..... D30/154  
 D245,032 S \* 7/1977 Hoffmann ..... D30/154  
 D250,281 S \* 11/1978 Laukhuf ..... D7/602  
 D270,365 S \* 8/1983 Hawk ..... D21/840  
 D287,156 S \* 12/1986 Sloane ..... D21/840  
 4,745,706 A \* 5/1988 Muza ..... A01G 29/00  
 47/47  
 D298,975 S \* 12/1988 Pantoja ..... D30/154  
 D299,374 S \* 1/1989 Williams ..... D21/840  
 4,905,718 A \* 3/1990 Vandiver ..... E04H 15/62  
 135/118  
 4,907,522 A \* 3/1990 Lutzke ..... E02B 3/24  
 114/230.28  
 D315,711 S \* 3/1991 Billings ..... D12/215  
 D325,870 S \* 5/1992 Niles ..... D8/1  
 D331,526 S \* 12/1992 Miller ..... D8/1  
 D349,937 S \* 8/1994 Hill ..... D21/791  
 5,463,834 A \* 11/1995 Krieger ..... E02D 5/803  
 135/118  
 D364,785 S \* 12/1995 Archambeau ..... D25/131  
 D379,416 S \* 5/1997 Adams ..... D21/840  
 D477,118 S \* 7/2003 Kirch ..... 119/787  
 D485,525 S \* 1/2004 Dvorak ..... 114/299  
 D492,976 S \* 7/2004 Hsu ..... D21/840  
 D493,205 S \* 7/2004 Combes ..... D21/840  
 D495,932 S \* 9/2004 Kopka ..... D8/1  
 6,938,384 B1 \* 9/2005 Hodge ..... E04H 15/62  
 135/118

D573,315 S \* 7/2008 Kelley ..... D30/154  
 D632,442 S \* 2/2011 Beck ..... D30/154  
 D679,457 S \* 4/2013 Chance ..... D30/154  
 D697,164 S \* 1/2014 Jan ..... D22/120  
 D787,419 S \* 5/2017 Michel ..... D12/215  
 D839,696 S \* 2/2019 Riddle ..... D8/1  
 D863,487 S \* 10/2019 Pieper ..... D21/840  
 D874,890 S \* 2/2020 Lazarov ..... D8/1  
 D877,578 S \* 3/2020 Ireland ..... D8/1  
 2010/0224139 A1 \* 9/2010 Krieger ..... A01K 1/04  
 119/780  
 2018/0347226 A1 \* 12/2018 Gilmer ..... E04H 15/62

OTHER PUBLICATIONS

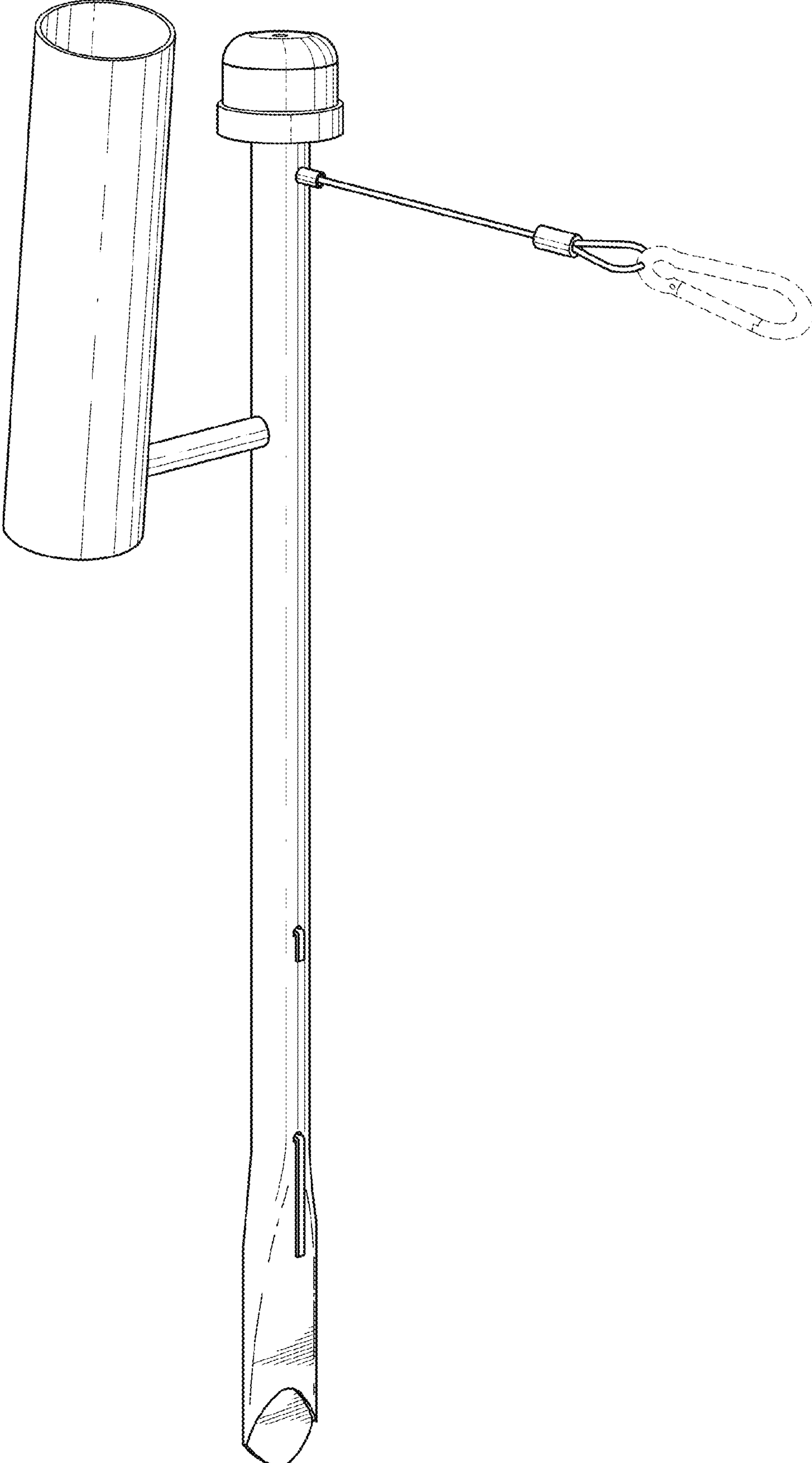
“MSR Core 4-Pack Tent Stake Kit.” Found online Apr. 1, 2020 at [www.amazon.com](http://www.amazon.com). Product reviewed Jan. 29, 2019. Retrieved from URL: [https://www.amazon.com/MSR-Core-4-Pack-Tent-Stake/dp/B07BNVTHJF/ref=pd\\_lpo\\_sbs\\_468\\_img\\_2?encoding=UTF8&refRID=ECMHWS8WYF45NA5NSP4](https://www.amazon.com/MSR-Core-4-Pack-Tent-Stake/dp/B07BNVTHJF/ref=pd_lpo_sbs_468_img_2?encoding=UTF8&refRID=ECMHWS8WYF45NA5NSP4) (Year: 2019).\*

“Csdtylh 12 Pack Black Forged Steel Tent Pegs.” Found online Apr. 1, 2020 at [www.amzon.com](http://www.amzon.com). Product reviewed Feb. 8, 2018. Retrieved from URL: <https://tinyurl.com/yyj7kaeu> (Year: 2018).\*

“TentandTable Heavy Duty Stake.” Found online Apr. 1, 2020 at [www.amazon.com](http://www.amazon.com). Product reviewed Jul. 8, 2017. Retrieved from URL: [https://www.amazon.com/TentandTable-Commercial-Inflatables-36-inch-Diameter/dp/B01FWI2BI8/ref=pd\\_lpo\\_sbs\\_468\\_img\\_0?encoding=UTF8&psc=1&refRID=XDWH8291A8N8KFFV4FE15](https://www.amazon.com/TentandTable-Commercial-Inflatables-36-inch-Diameter/dp/B01FWI2BI8/ref=pd_lpo_sbs_468_img_0?encoding=UTF8&psc=1&refRID=XDWH8291A8N8KFFV4FE15) (Year: 2017).\*

\* cited by examiner

FIG. 1



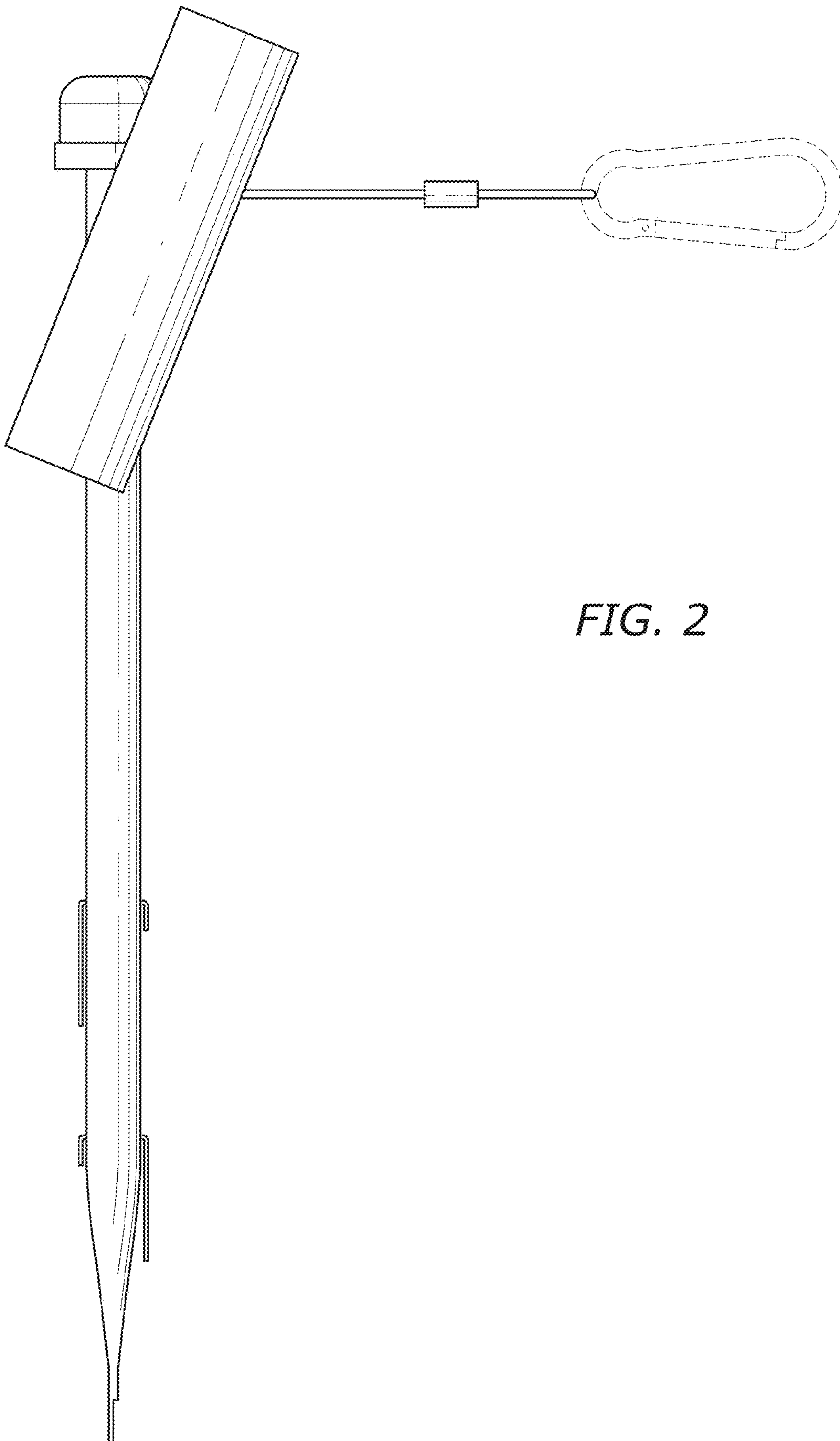


FIG. 2

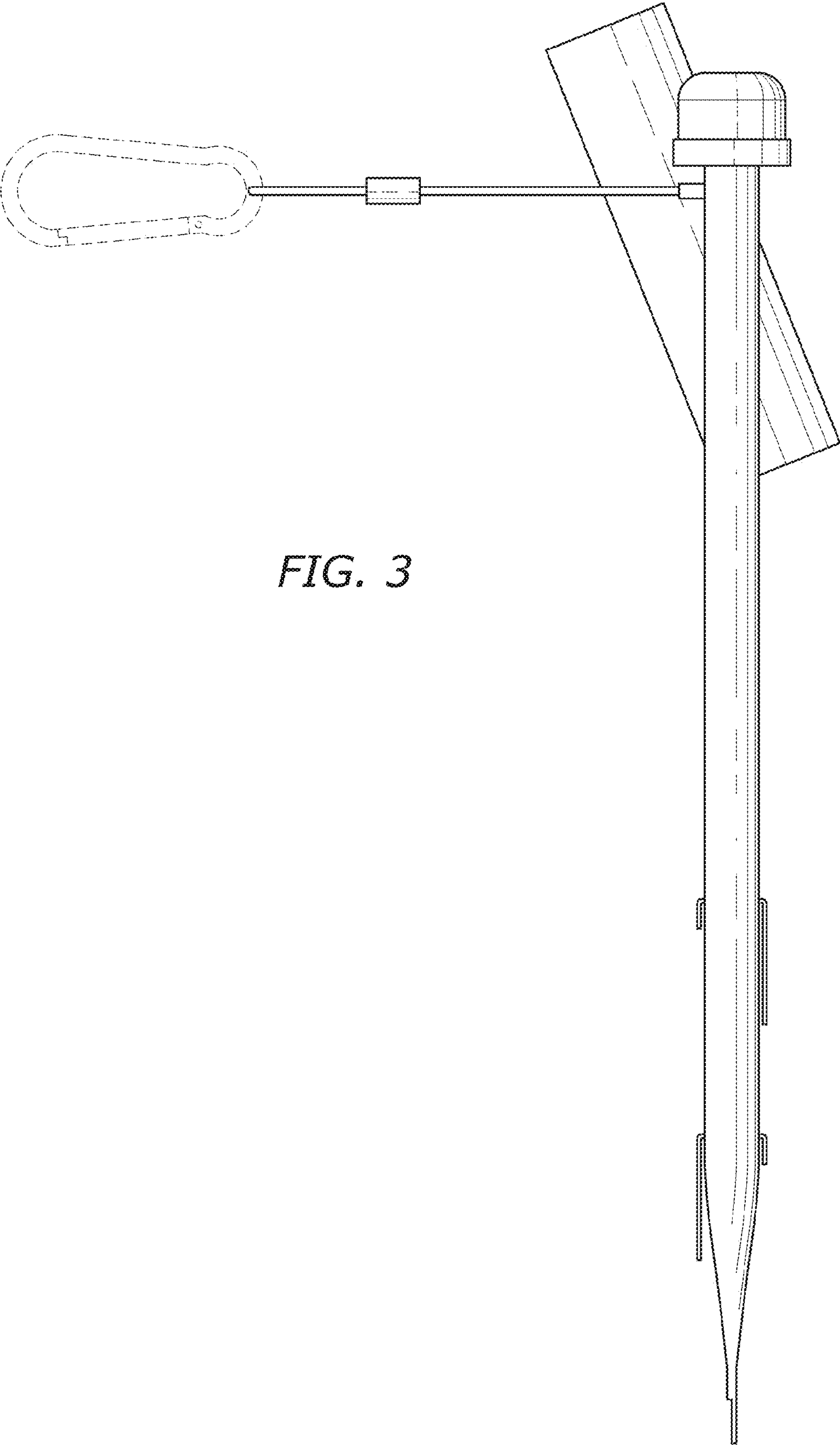


FIG. 3



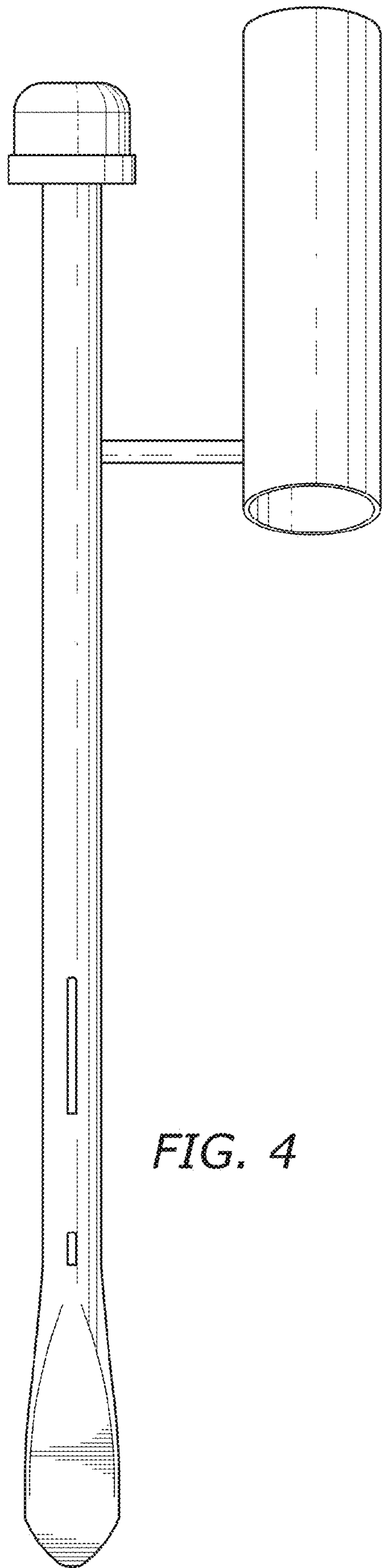


FIG. 4

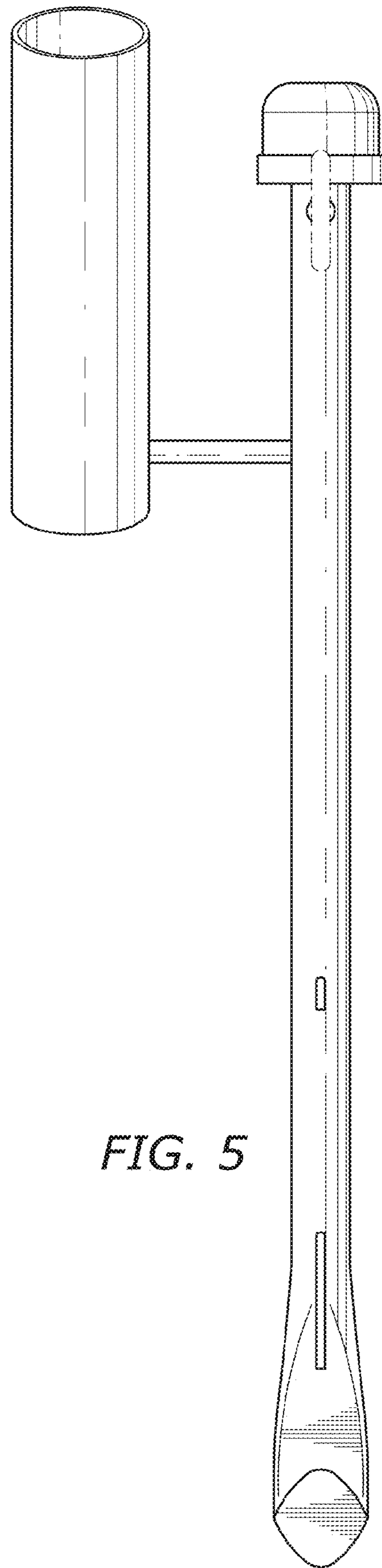
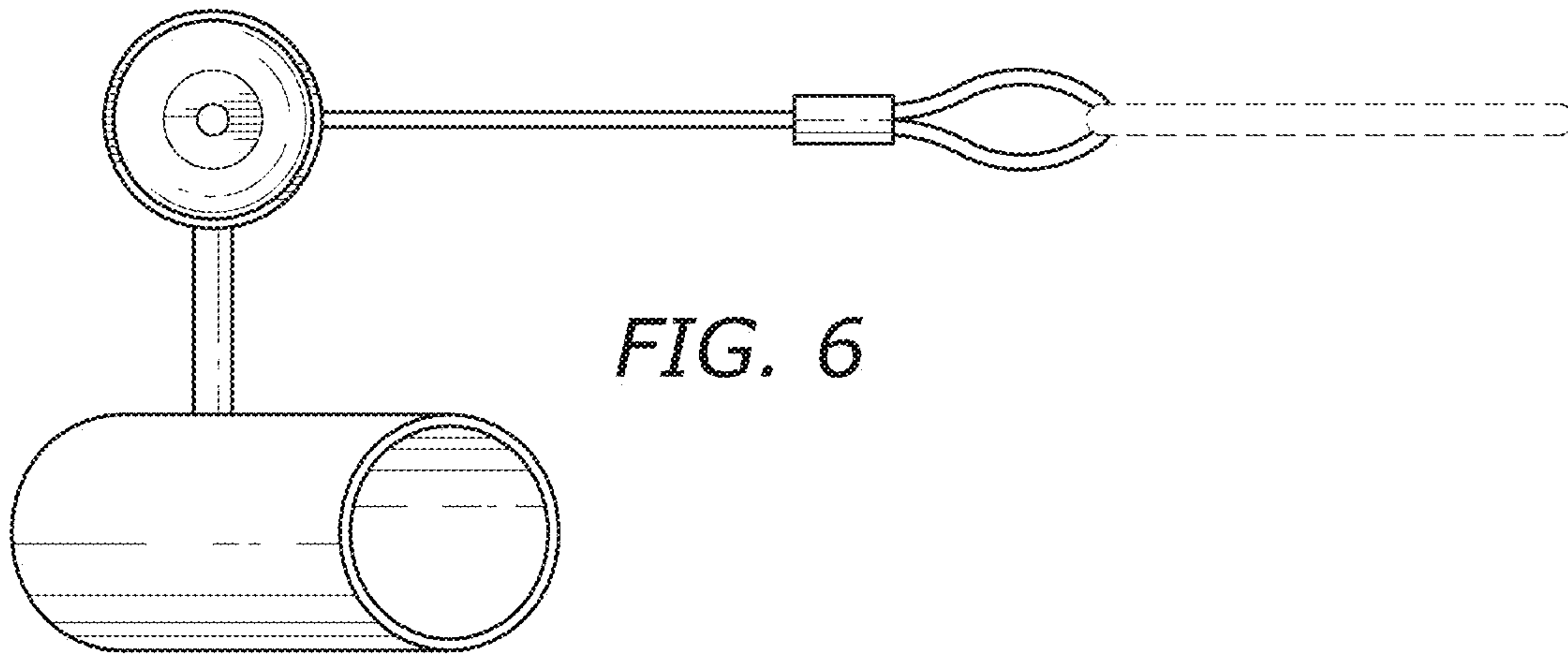
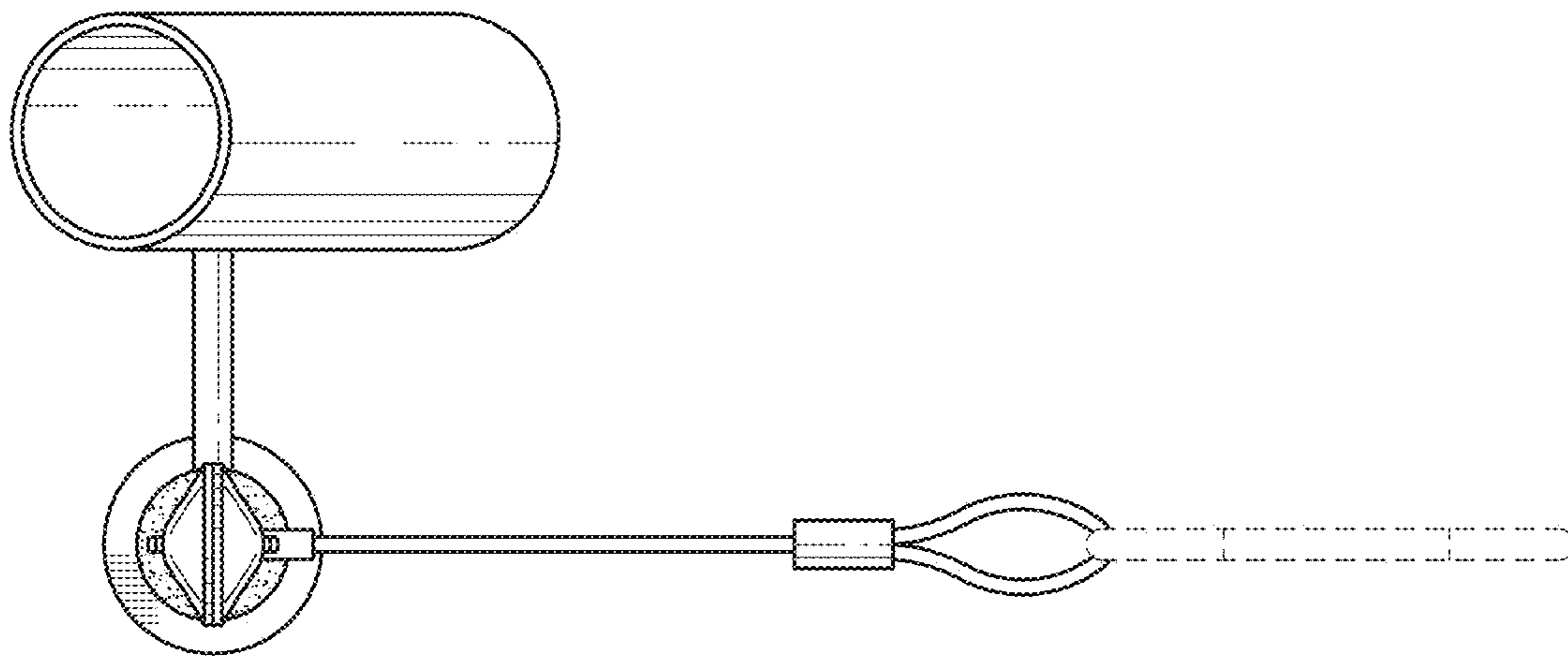


FIG. 5



*FIG. 6*



*FIG. 7*