



US00D911631S

(12) **United States Design Patent**  
**Stouder et al.**

(10) **Patent No.:** **US D911,631 S**

(45) **Date of Patent:** **\*\* Feb. 23, 2021**

(54) **ERGONOMIC HARNESS**

(71) Applicant: **PetSmart Home Office, Inc.**, Phoenix, AZ (US)

(72) Inventors: **Tanya Stouder**, Queen Creek, AZ (US); **Jamie Lynn Woods**, Anthem, AZ (US)

(73) Assignee: **PETSMART HOME OFFICE, INC.**, Phoenix, AZ (US)

(\*\*) Term: **15 Years**

(21) Appl. No.: **29/685,394**

(22) Filed: **Mar. 28, 2019**

(51) **LOC (13) Cl.** ..... **30-04**

(52) **U.S. Cl.**  
USPC ..... **D30/152**

(58) **Field of Classification Search**  
USPC .... D29/100, 101.1, 124; D30/144, 145, 152  
CPC .... A01K 27/002; A01K 27/006; A01K 15/02;  
A01K 27/00  
See application file for complete search history.

(56) **References Cited**

**U.S. PATENT DOCUMENTS**

6,101,979	A *	8/2000	Wilson	.....	A01K 1/0272 119/725
D459,842	S *	7/2002	Kaplan	.....	D30/145
6,443,101	B1 *	9/2002	Fazio	.....	A01K 27/002 119/792
D507,084	S *	7/2005	Sabeh-Azar	.....	D30/144
D664,310	S *	7/2012	Ito	.....	A01K 27/002 D30/152
D753,350	S *	4/2016	Thitz	.....	D30/152
9,320,260	B2 *	4/2016	Zimmerman	.....	A01K 27/003
9,655,344	B1 *	5/2017	Sebo	.....	A01K 15/02
10,271,521	B2 *	4/2019	Chen	.....	A01K 27/002
D862,002	S *	10/2019	Wu	.....	D30/152
D862,803	S *	10/2019	Yun	.....	D30/152
D867,686	S *	11/2019	Yun	.....	D30/152

D883,581	S *	5/2020	Daly	.....	D30/152
D885,688	S *	5/2020	Pan	.....	D30/145
D889,755	S *	7/2020	Dusev	.....	D30/152

(Continued)

**OTHER PUBLICATIONS**

Top Paw Reflective Comfort Ergonomic Dog Harness (on-line), no date available. Retrieved from Internet Oct. 8, 2020, URL: <https://www.petsmart.com/dog/collars-harnesses-and-leashes/harnesses/top-paw-reflective-comfort-ergonomic-dog-harness-53455.html?cgid=100221> (3 pages).\*

*Primary Examiner* — Kimberly Barnes

(74) *Attorney, Agent, or Firm* — Fox Rothschild LLP

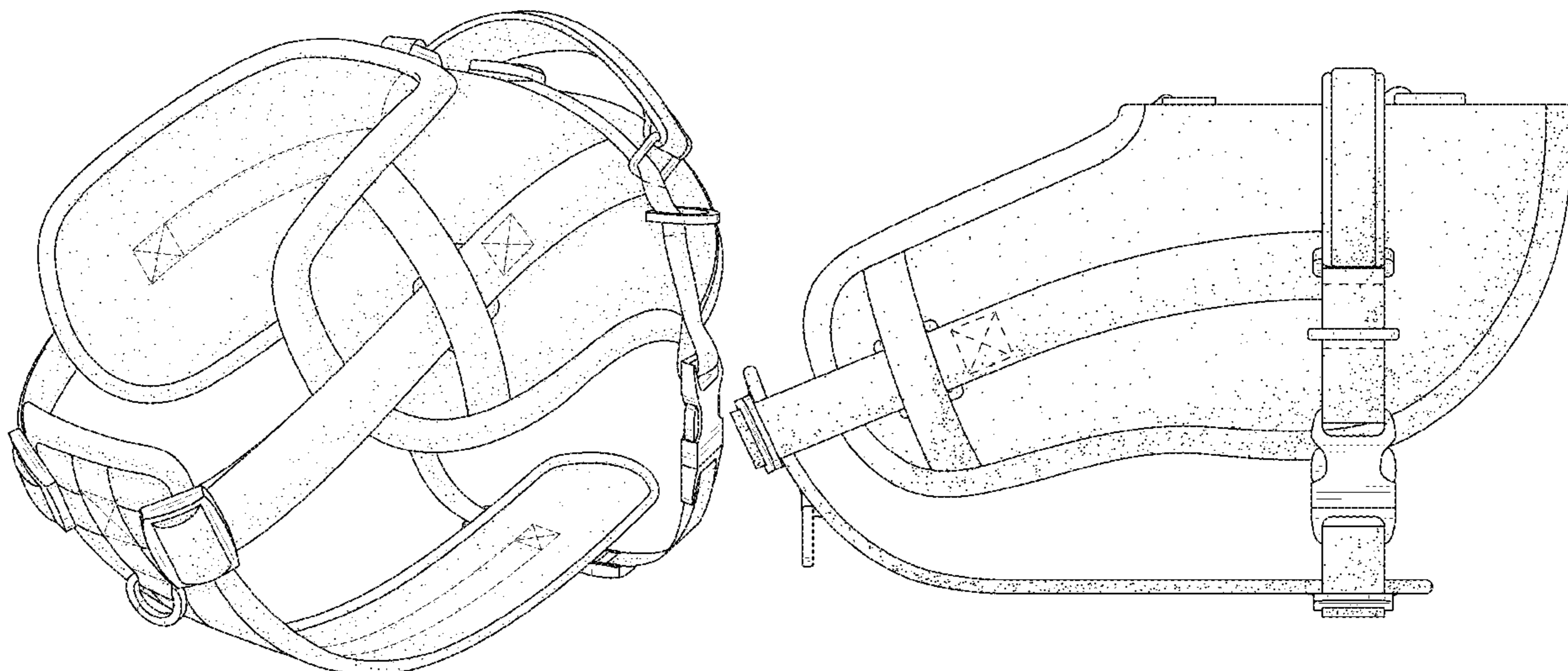
(57) **CLAIM**

The ornamental design for an ergonomic harness, as shown and described.

**DESCRIPTION**

FIG. 1 is a front perspective view of an ergonomic harness showing our new design in a fastened configuration; FIG. 2 is a front elevation view of the ergonomic harness illustrated in FIG. 1; FIG. 3 is a rear elevation view of the ergonomic harness illustrated in FIG. 1; FIG. 4 is a right side elevation view of the ergonomic harness illustrated in FIG. 1; FIG. 5 is a left side elevation view of the ergonomic harness illustrated in FIG. 1; FIG. 6 is a top plan view of the ergonomic harness illustrated in FIG. 1; FIG. 7 is a bottom plan view of the ergonomic harness illustrated in FIG. 1; and, FIG. 8 is a top plan view of the ergonomic harness of FIG. 1 in an unfastened configuration. The broken lines shown in the drawings depict lines of stitching on the ergonomic harness that form no part of the claimed design.

**1 Claim, 8 Drawing Sheets**



(56)

**References Cited**

U.S. PATENT DOCUMENTS

D894,502 S \* 8/2020 Li ..... D30/152  
D896,449 S \* 9/2020 Dang ..... D30/152  
2011/0067648 A1\* 3/2011 Siklosi ..... A01K 27/002  
119/792  
2012/0160184 A1\* 6/2012 Lichvar ..... A01K 27/002  
119/725  
2013/0128556 A1\* 5/2013 Brauser ..... A01K 27/006  
362/108  
2017/0099807 A1\* 4/2017 Northrop ..... A01K 13/006  
2019/0124890 A1\* 5/2019 Kath ..... A01K 1/0263  
2019/0364850 A1\* 12/2019 Kruse ..... A01K 27/002  
2020/0113728 A1\* 4/2020 Spector ..... A61B 5/6805  
2020/0205379 A1\* 7/2020 Leek ..... A01K 27/002  
2020/0305394 A1\* 10/2020 Stouder ..... A01K 27/006

\* cited by examiner

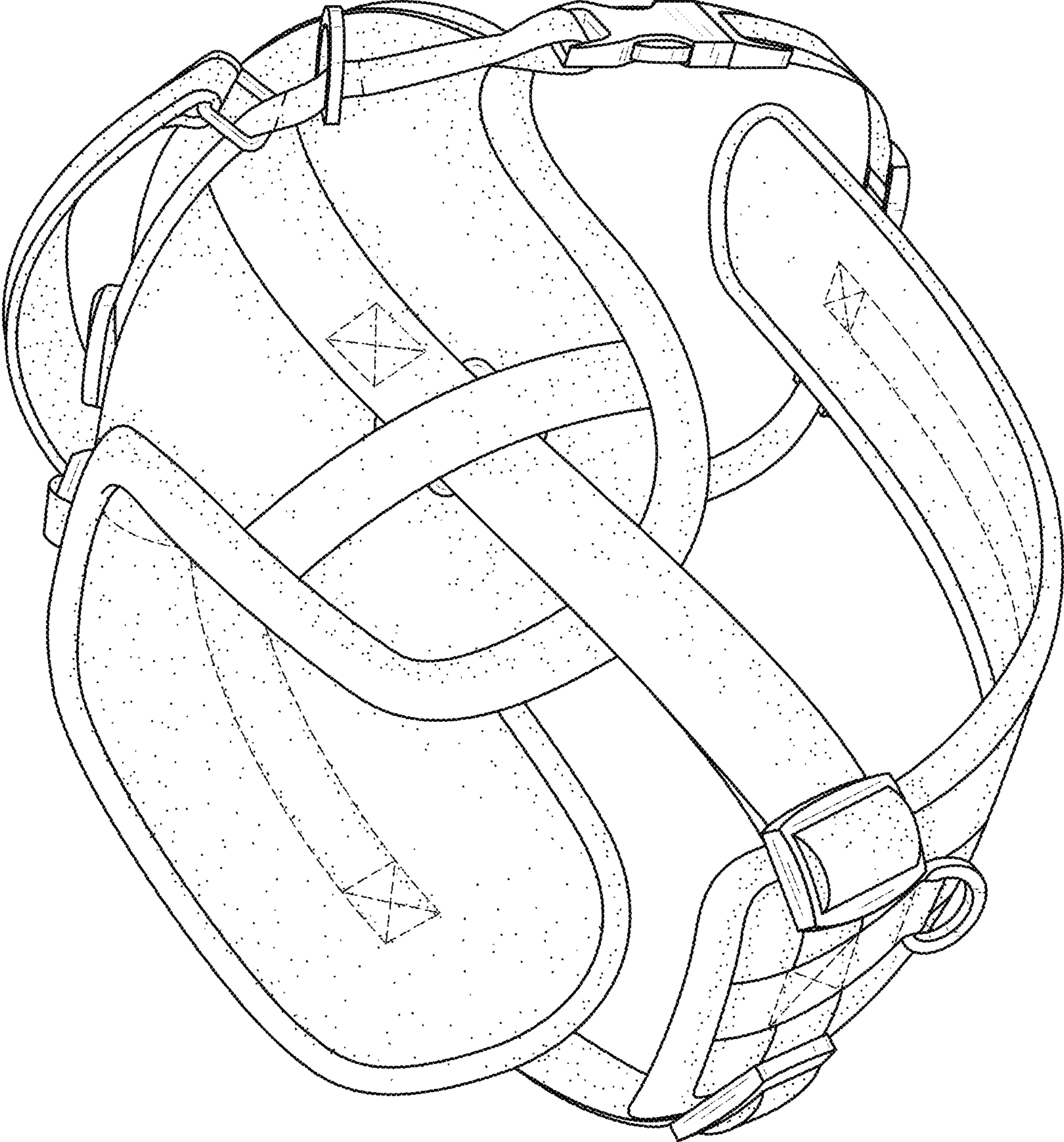


FIG. 1



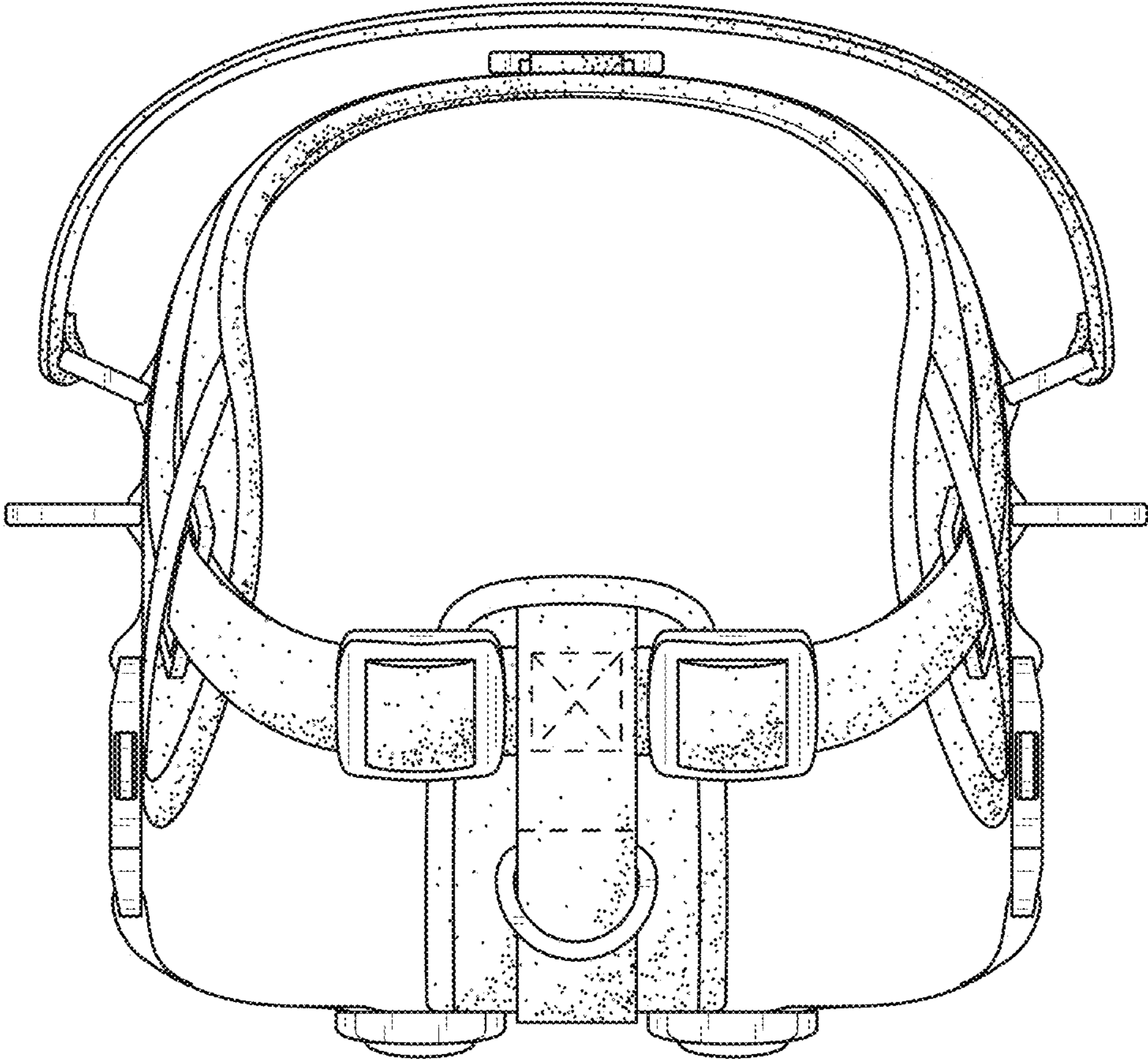


FIG. 2

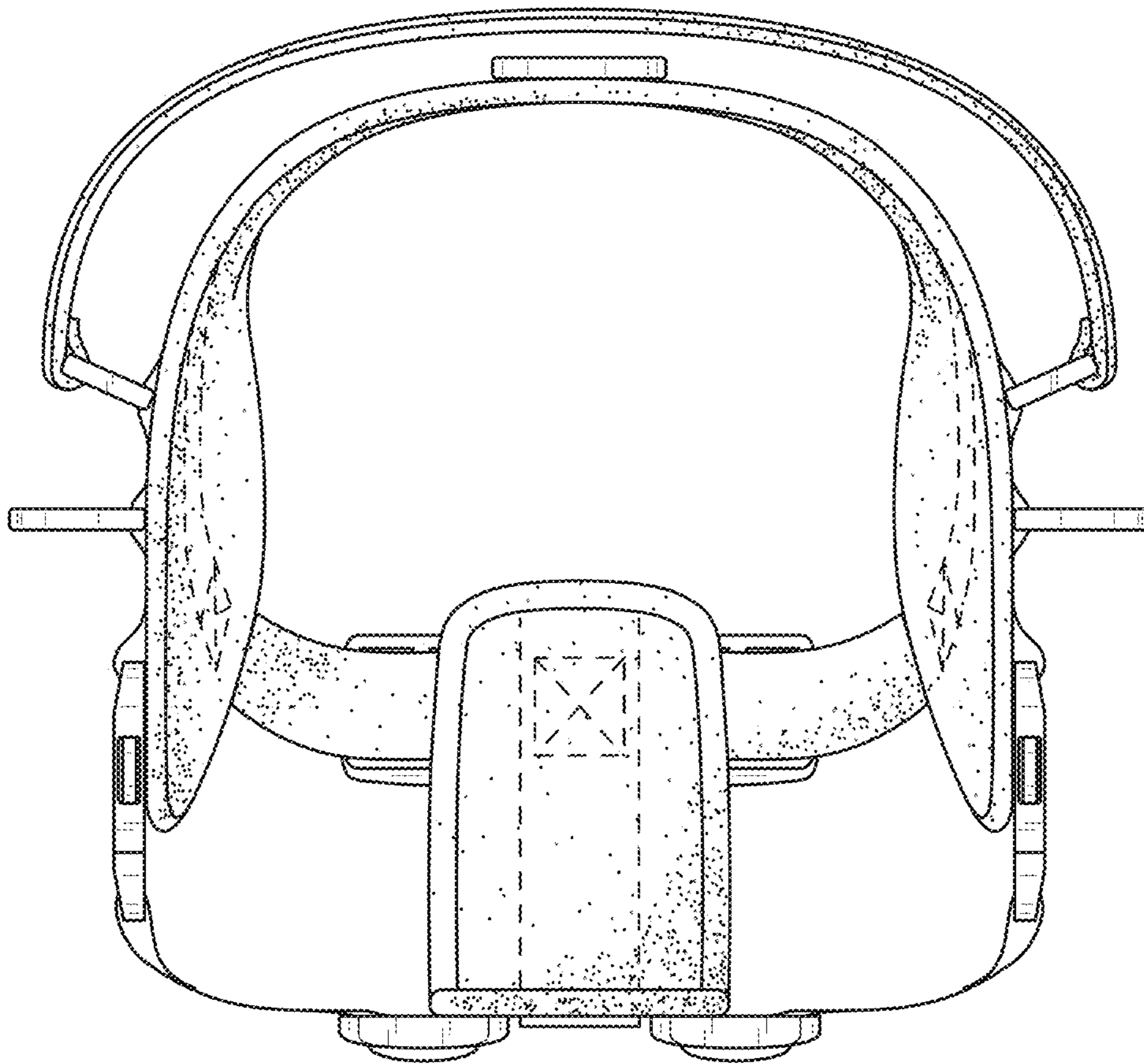


FIG. 3

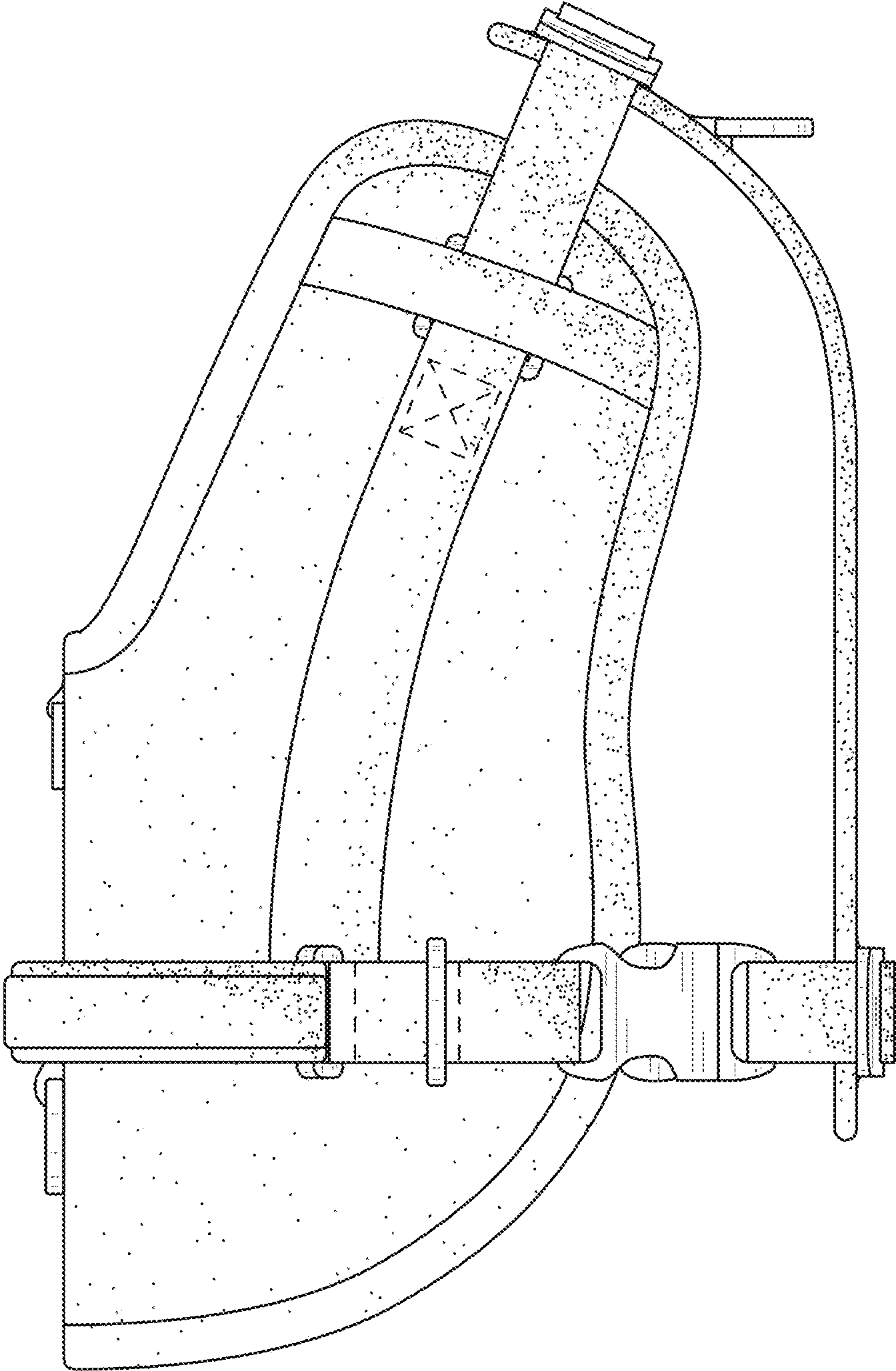


FIG. 4

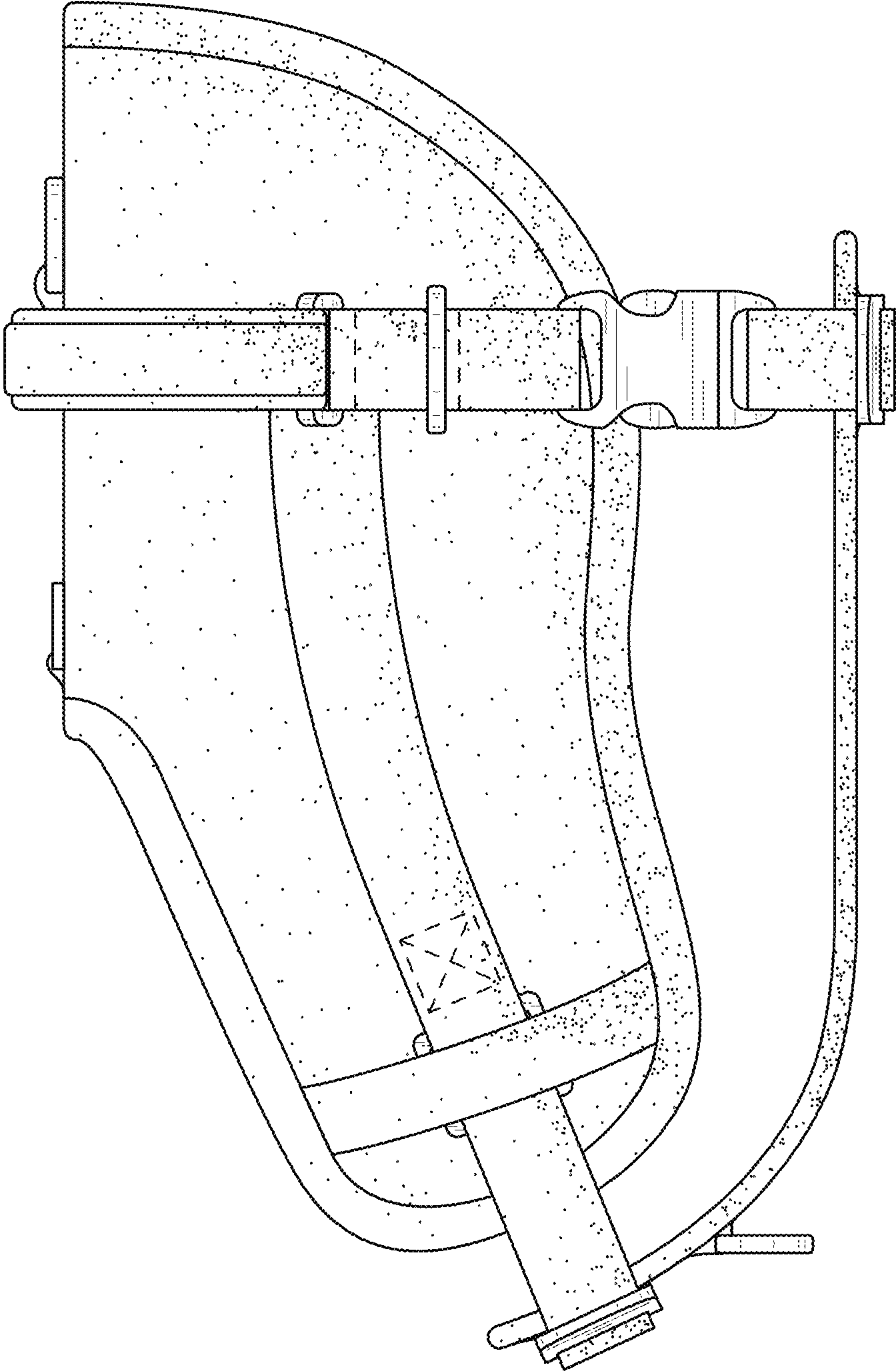


FIG. 5



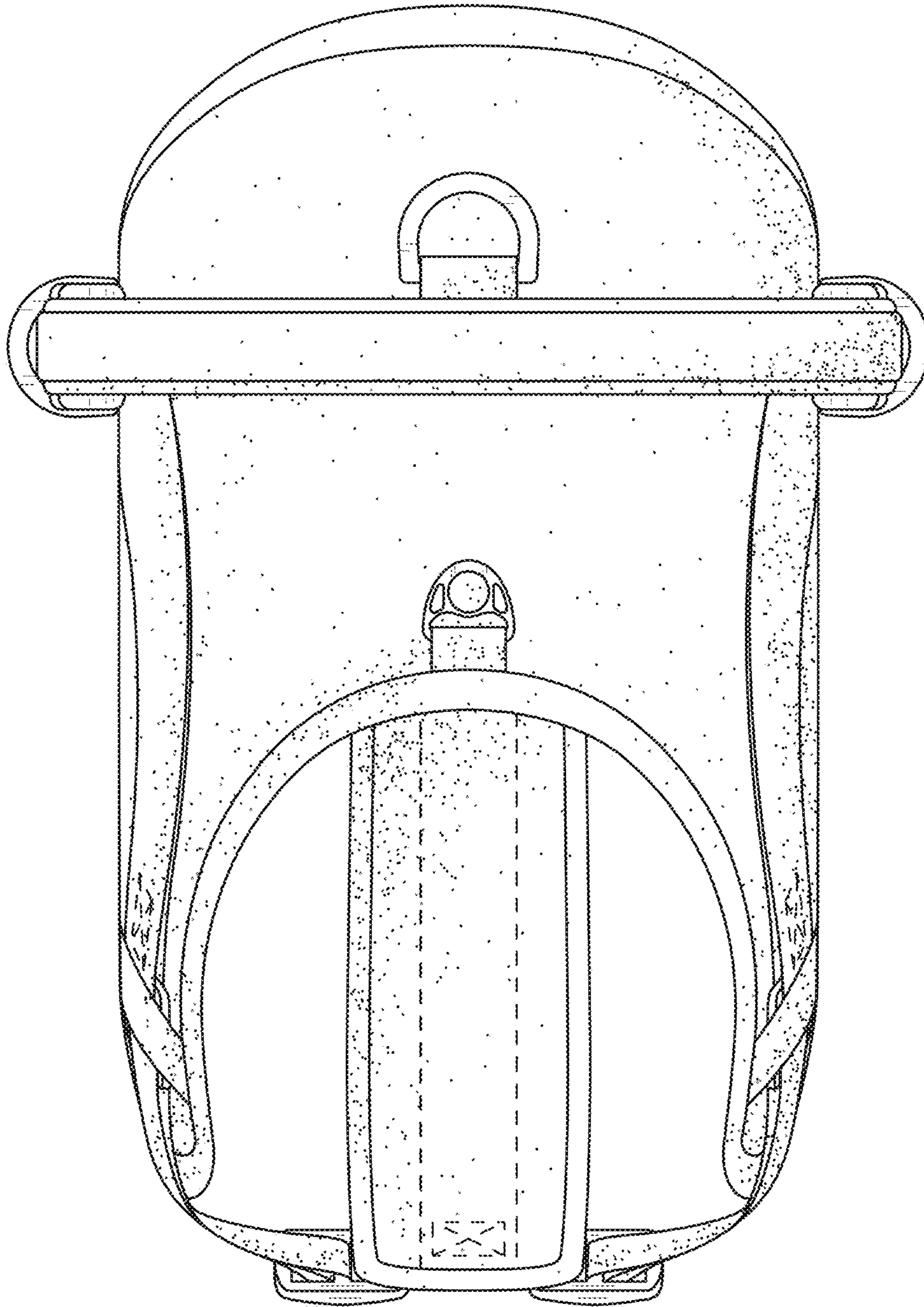


FIG. 6



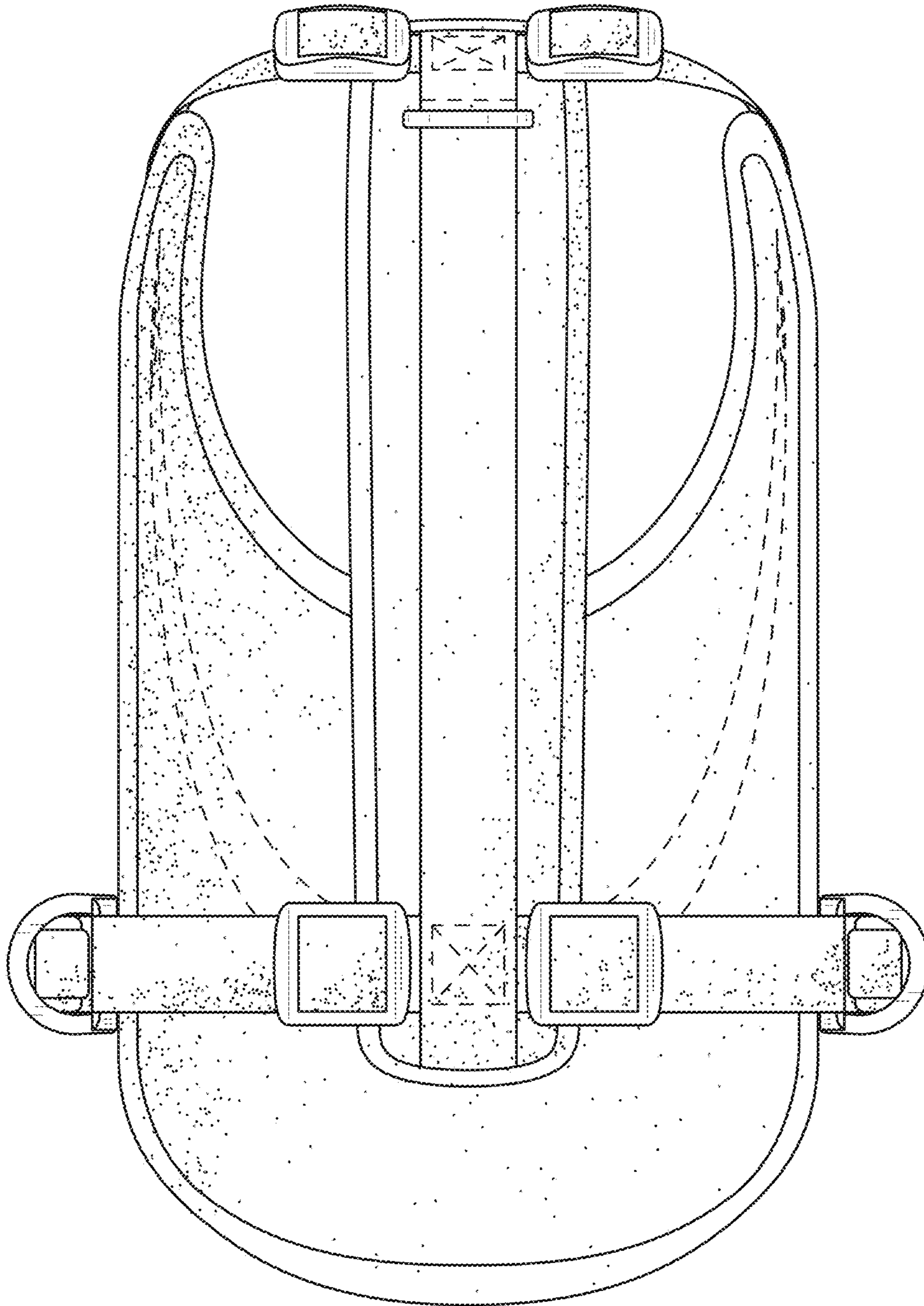


FIG. 7

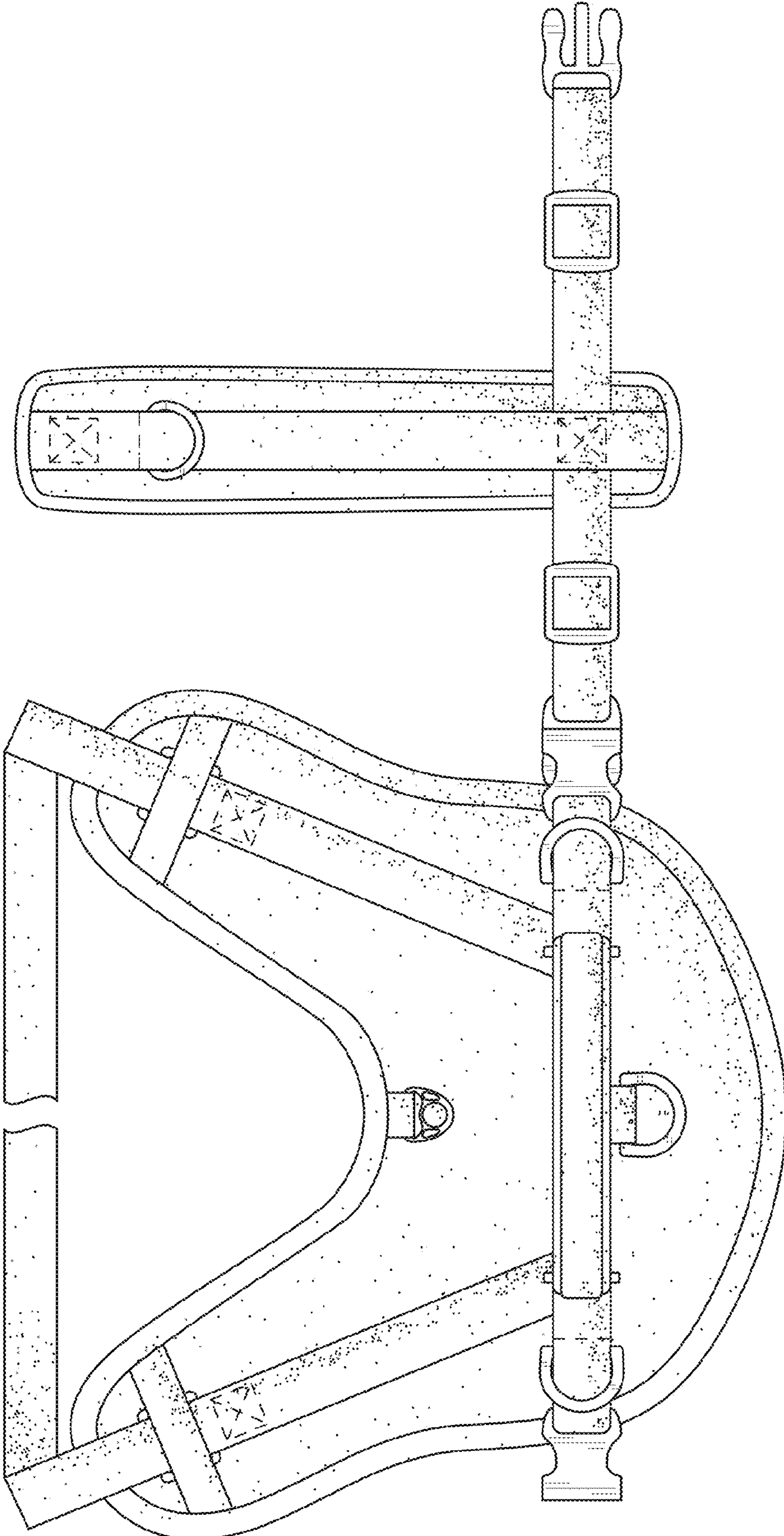


FIG. 8