



US00D911628S

(12) **United States Design Patent** (10) **Patent No.:** **US D911,628 S**
Kwon (45) **Date of Patent:** **** Feb. 23, 2021**

(54) **EXTINGUISHER**

(71) Applicant: **Ikhwan Kwon**, Busan (KR)

(72) Inventor: **Ikhwan Kwon**, Busan (KR)

(**) Term: **15 Years**

(21) Appl. No.: **29/708,723**

(22) Filed: **Oct. 9, 2019**

Related U.S. Application Data

(62) Division of application No. 35/503,794, filed on Sep. 1, 2017 (U.S. filing date under 35 U.S.C. 384), and having an international filing date of Sep. 1, 2017, now Pat. No. Des. 868,389.

(30) **Foreign Application Priority Data**

Mar. 6, 2017 (KR) 30-2017-0010470
Mar. 6, 2017 (KR) 30-2017-0010472
Mar. 6, 2017 (KR) 30-2017-0010474

(51) **LOC (13) Cl.** **29-01**

(52) **U.S. Cl.**
USPC **D29/126**
CPC **A62C 2/00** (2013.01)

(58) **Field of Classification Search**
USPC D23/355-369, 213, 214, 223, 224, 225,
D23/231; D29/125, 126, 128
CPC .. A62C 2/00; A62C 8/00; A62C 13/76; A62C
13/64

See application file for complete search history.

(56) **References Cited**

U.S. PATENT DOCUMENTS

D307,648 S	5/1990	Arrington	
D328,158 S	7/1992	Levy	
D328,368 S	7/1992	Levy	
D488,589 S	4/2004	Yang et al.	
D643,092 S	8/2011	Bandawat et al.	
D682,034 S	5/2013	El-Saden et al.	
D683,231 S *	5/2013	Kubel	D9/600
D759,902 S	6/2016	Kim	
D773,748 S	12/2016	Childs et al.	
D819,894 S	6/2018	Sung	

* cited by examiner

Primary Examiner — Richard E Chilcot

(74) *Attorney, Agent, or Firm* — Maier & Maier, PLLC

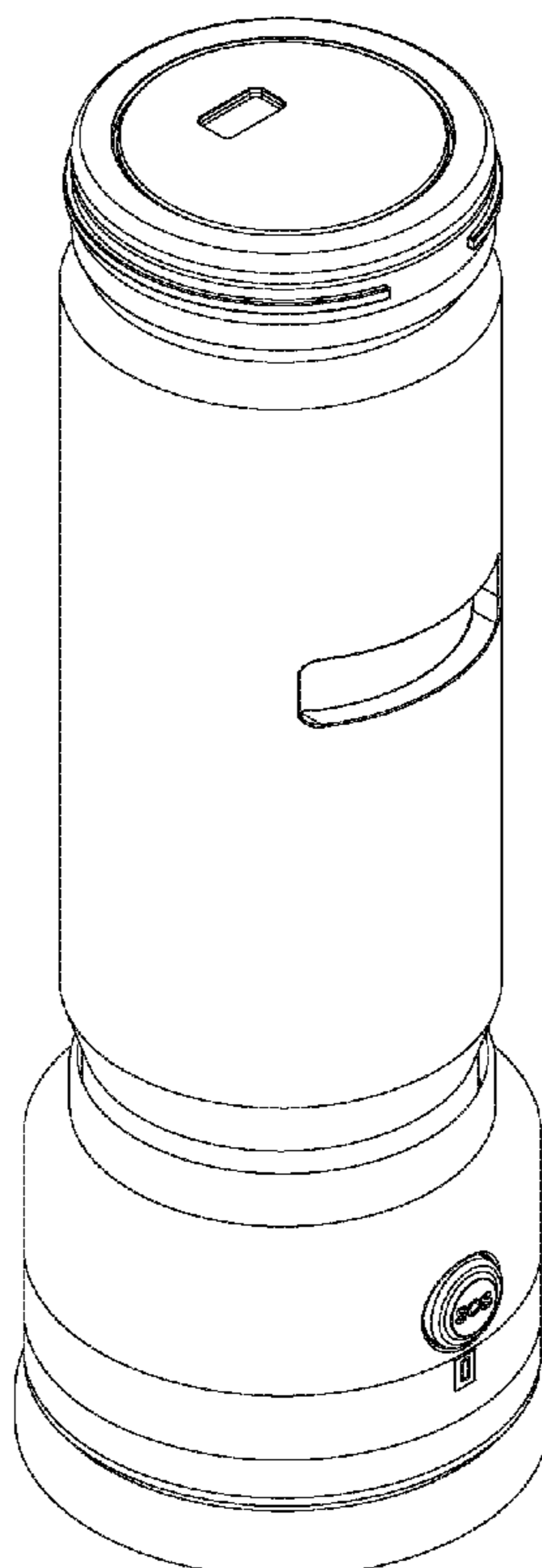
(57) **CLAIM**

The ornamental design for an extinguisher, as shown and described.

DESCRIPTION

FIG. 1 is a front perspective view of an extinguisher;
FIG. 2 is a front view thereof;
FIG. 3 is a back view thereof;
FIG. 4 is a left side view thereof;
FIG. 5 is a right view thereof;
FIG. 6 is a top plan view thereof; and,
FIG. 7 is a bottom plan view thereof.

1 Claim, 7 Drawing Sheets



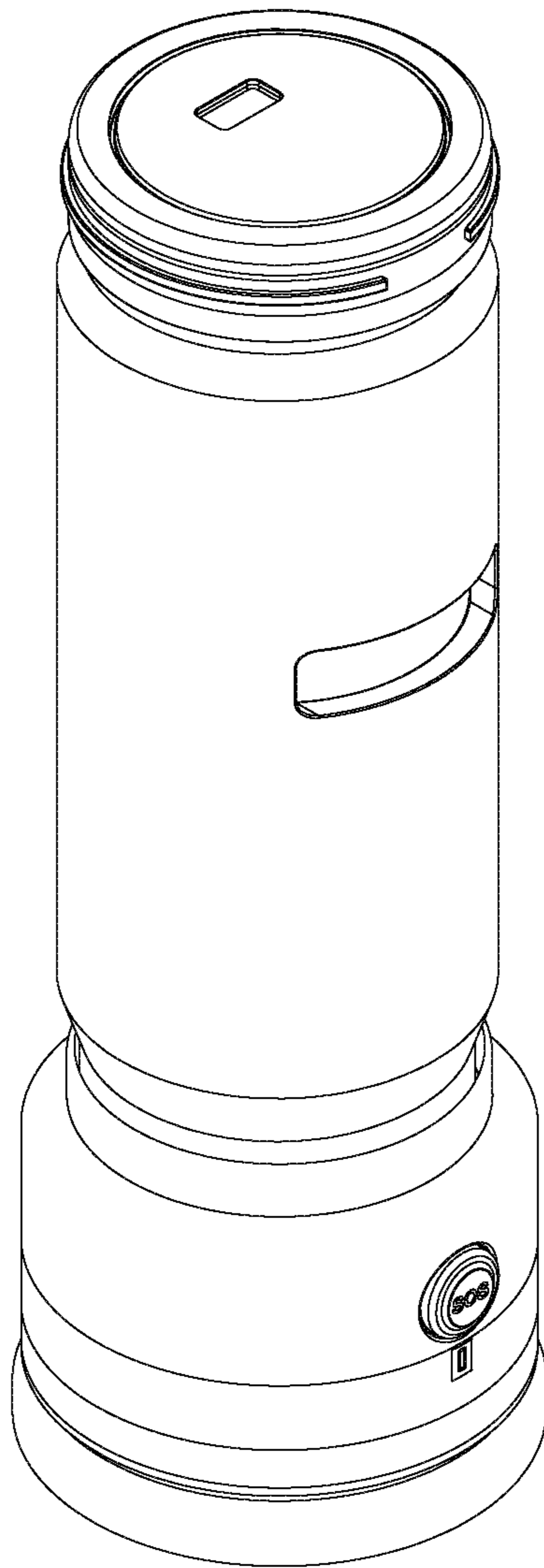


FIG. 1

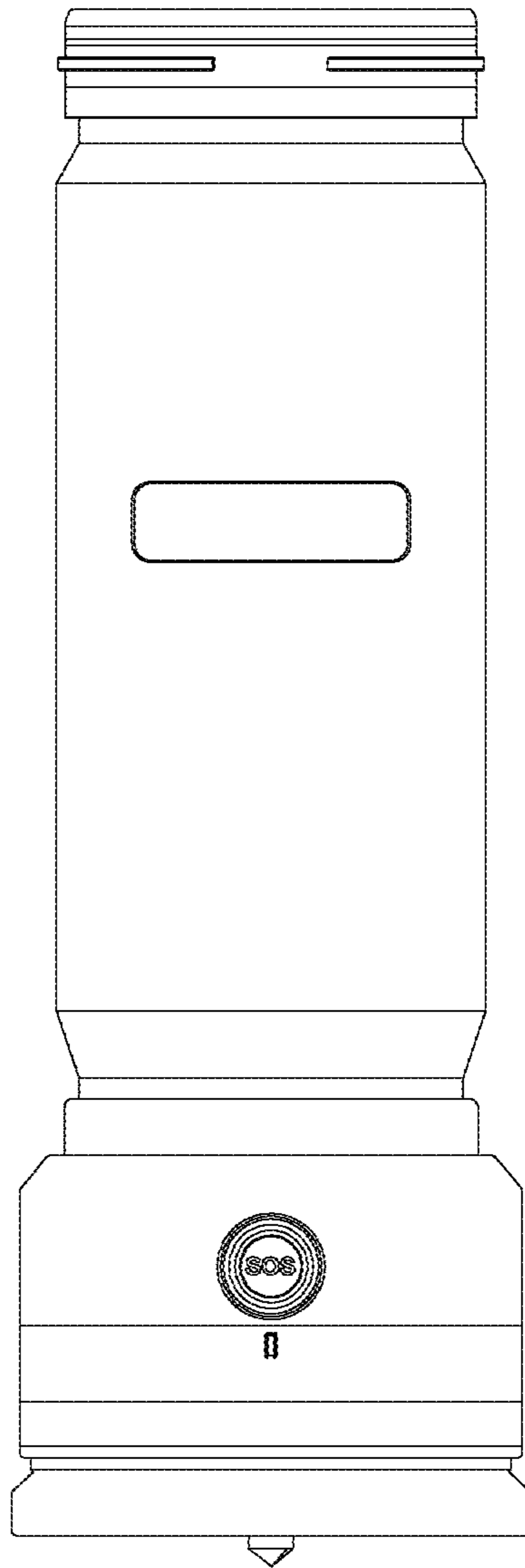


FIG. 2

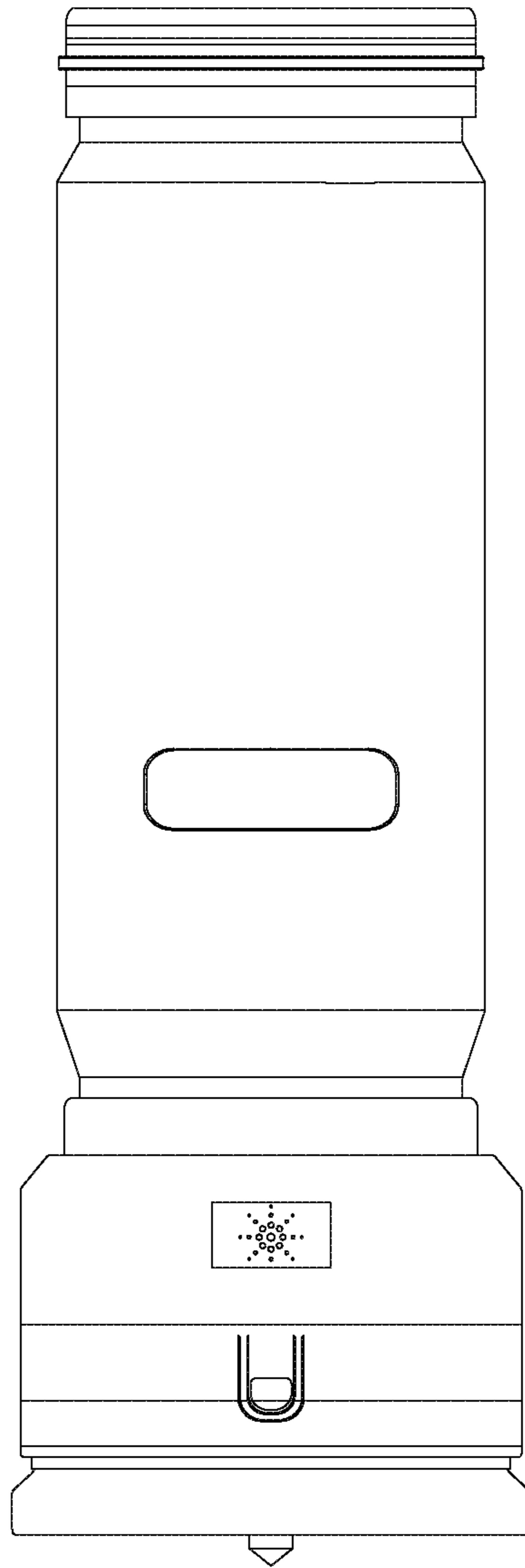


FIG. 3

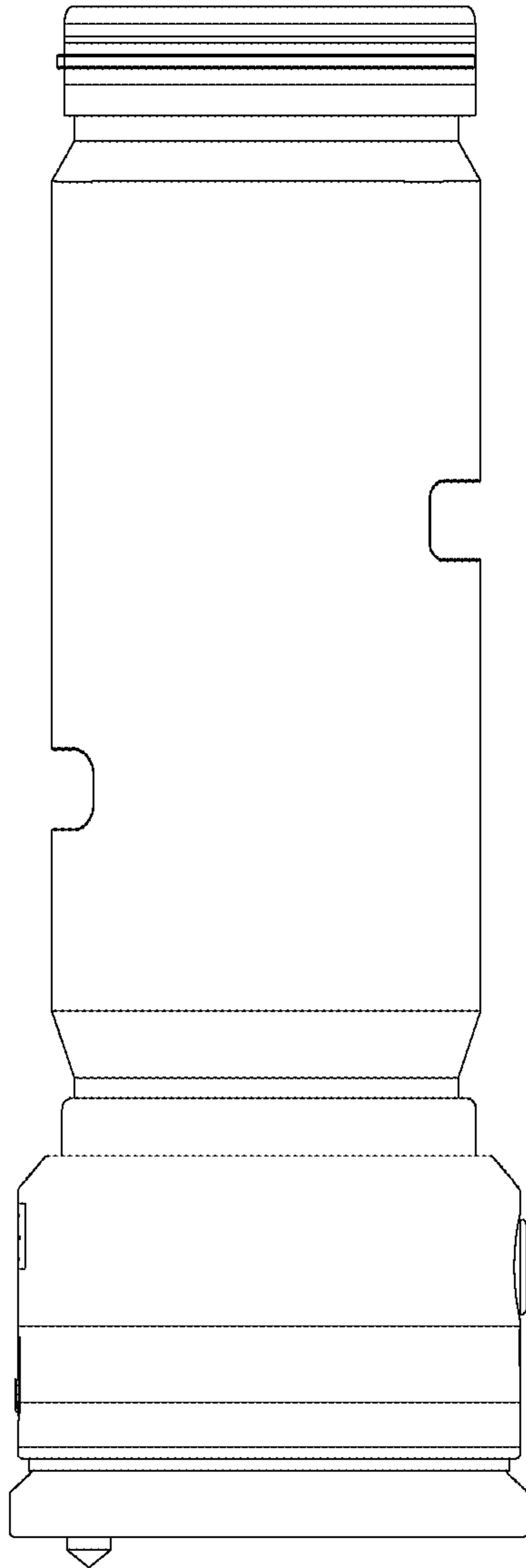


FIG. 4

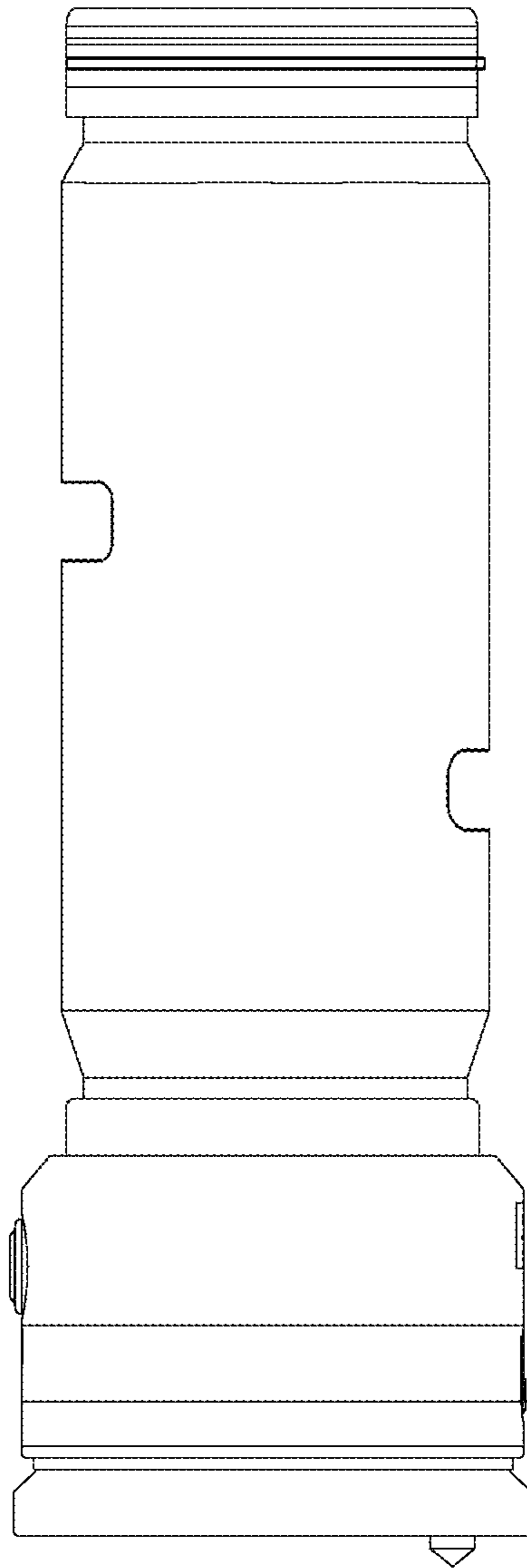


FIG. 5

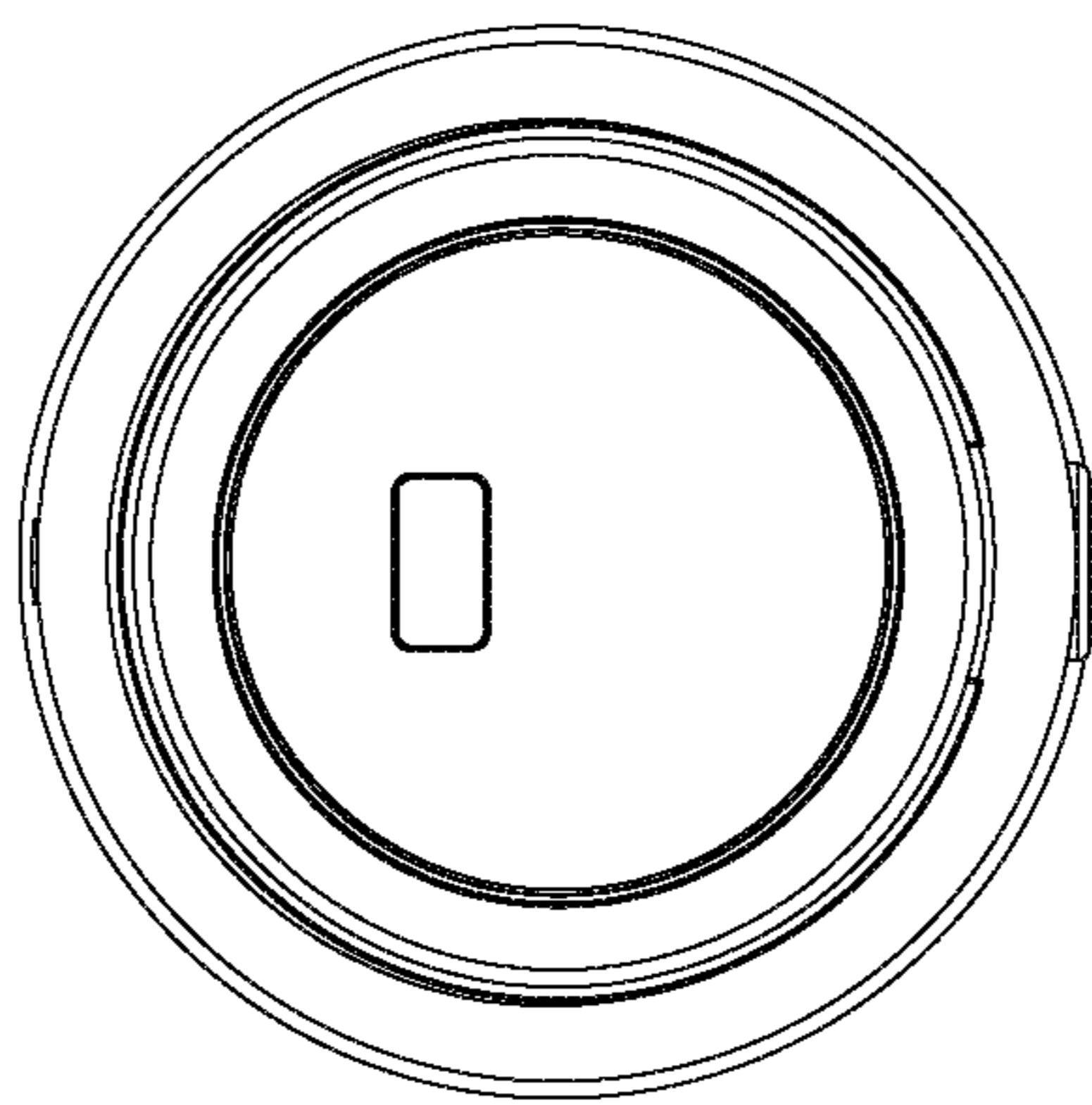


FIG. 6

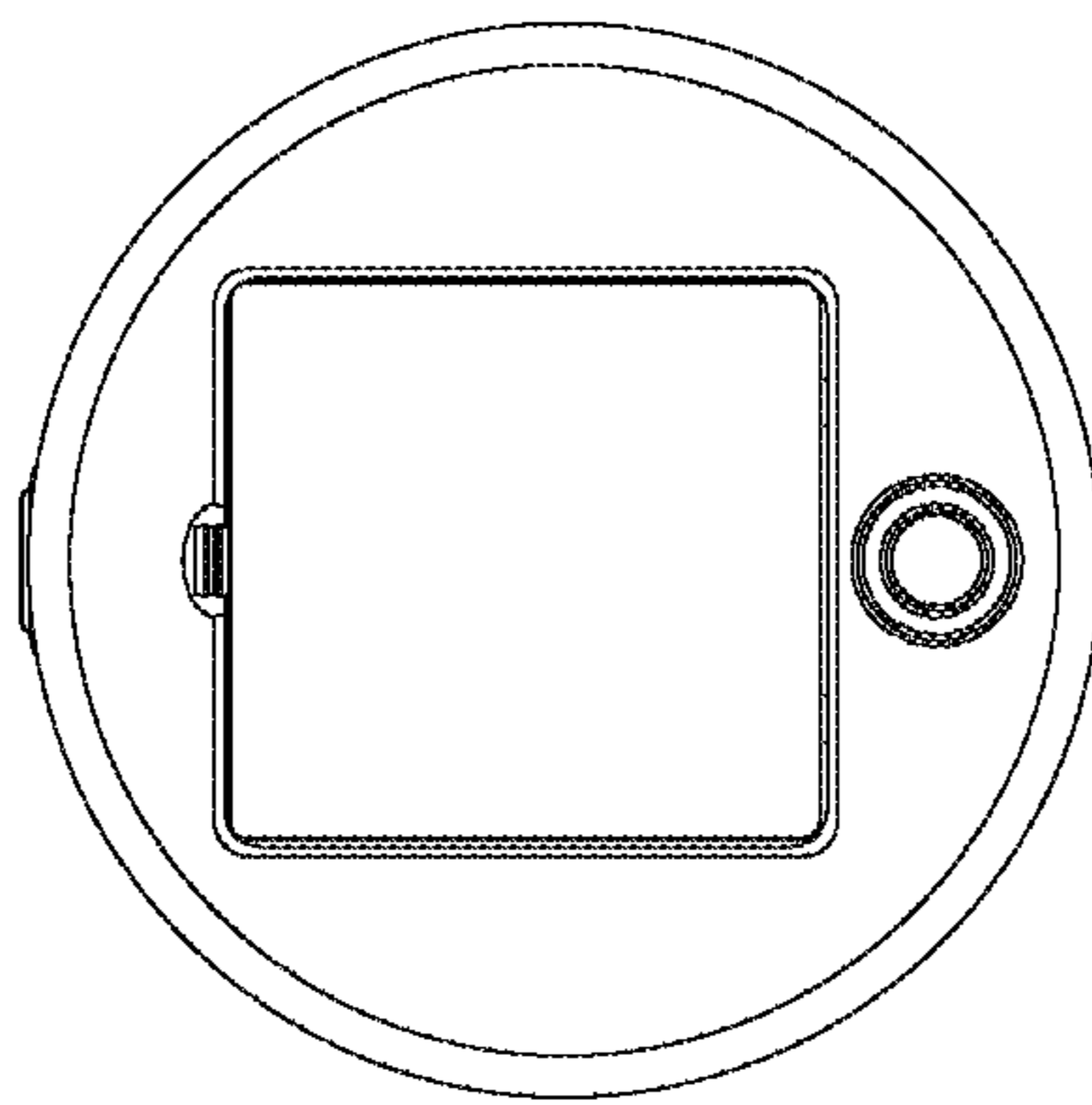


FIG. 7