



US00D911620S

(12) **United States Design Patent**  
**Riddick**

(10) **Patent No.:** **US D911,620 S**

(45) **Date of Patent:** **\*\* Feb. 23, 2021**

(54) **SPACE SAVING WIG STAND**

D649,714 S \* 11/2011 Key ..... D28/93  
D719,769 S \* 12/2014 Daniels ..... D6/682.1  
9,538,831 B1 \* 1/2017 Tracy ..... A47F 7/06

(71) Applicant: **Rosemary Riddick**, Orlando, FL (US)

\* cited by examiner

(72) Inventor: **Rosemary Riddick**, Orlando, FL (US)

*Primary Examiner* — Zenia I Bennett

(\*\*) Term: **15 Years**

(74) *Attorney, Agent, or Firm* — Sanchelima &

(21) Appl. No.: **29/706,790**

Associates, P.A.; Christian Sanchelima; Jesus Sanchelima

(22) Filed: **Sep. 24, 2019**

(51) **LOC (13) Cl.** ..... **28-04**

(57) **CLAIM**

(52) **U.S. Cl.**

The ornamental design for a space saving wig stand, as shown and described.

USPC ..... **D28/93**

(58) **Field of Classification Search**

**DESCRIPTION**

USPC ..... D28/93; D20/10; D6/462, 682.1

CPC ..... A45D 44/14; A47F 7/06

See application file for complete search history.

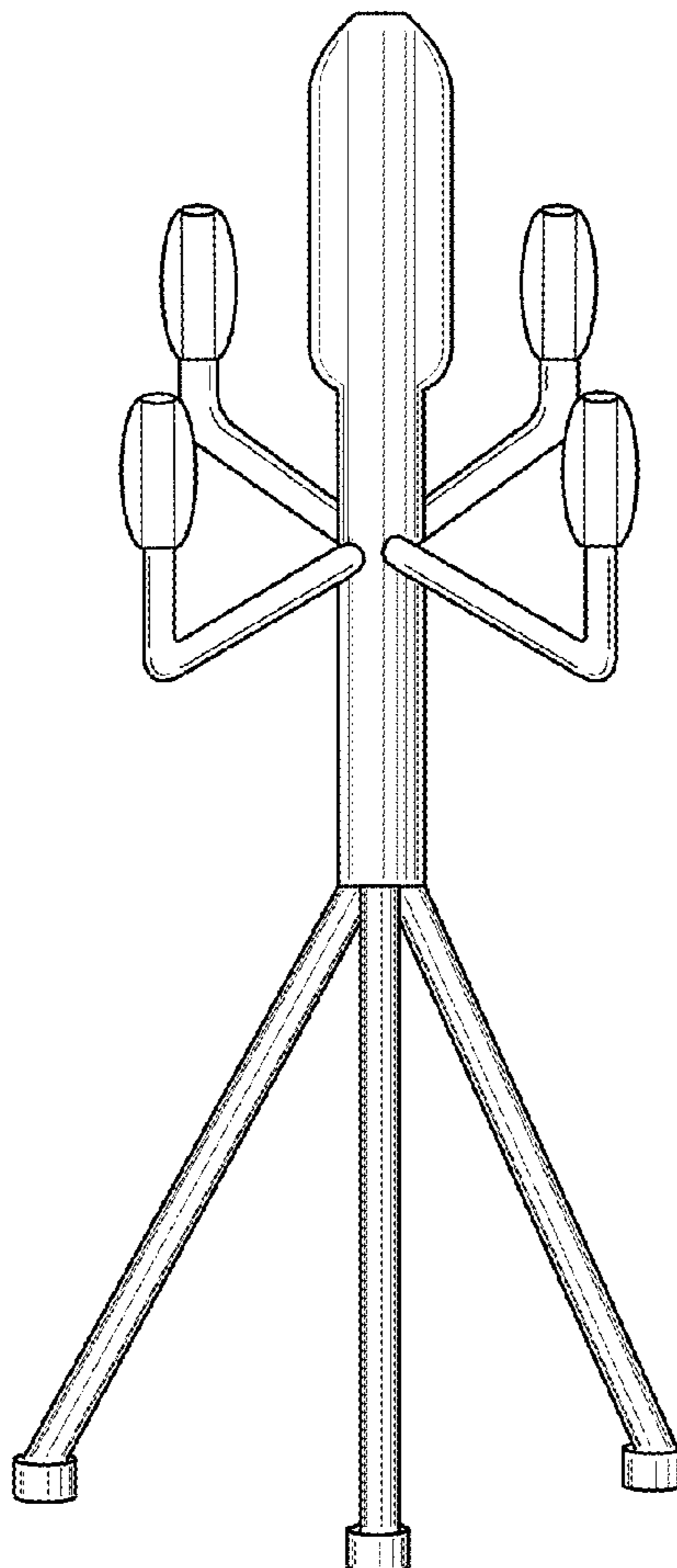
(56) **References Cited**

FIG. 1 is an isometric view of a space saving wig stand showing my new design;  
FIG. 2 is a front elevational view thereof;  
FIG. 3 is a top plan view thereof;  
FIG. 4 is a bottom plan view thereof;  
FIG. 5 is a right elevational view thereof;  
FIG. 6 is a left side elevational view thereof; and,  
FIG. 7 is a rear elevational view thereof showing my design.

**U.S. PATENT DOCUMENTS**

- 3,602,372 A \* 8/1971 Verrecchio ..... A47F 7/065  
211/100
- D225,752 S \* 1/1973 Mencimer ..... D6/681.3
- 3,820,694 A \* 6/1974 Pabis ..... A47F 5/04  
223/66
- D284,120 S \* 6/1986 Chao ..... D28/93

**1 Claim, 4 Drawing Sheets**



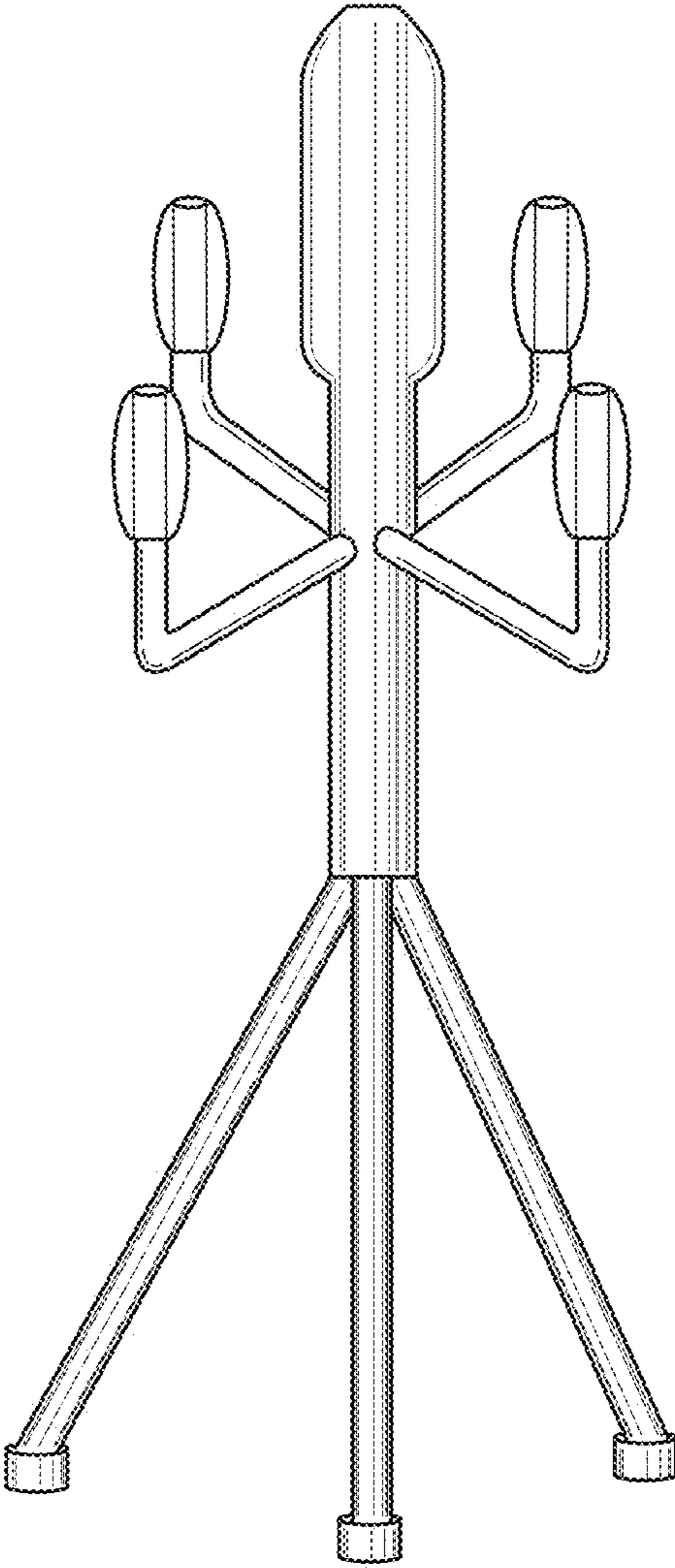


FIG. 1

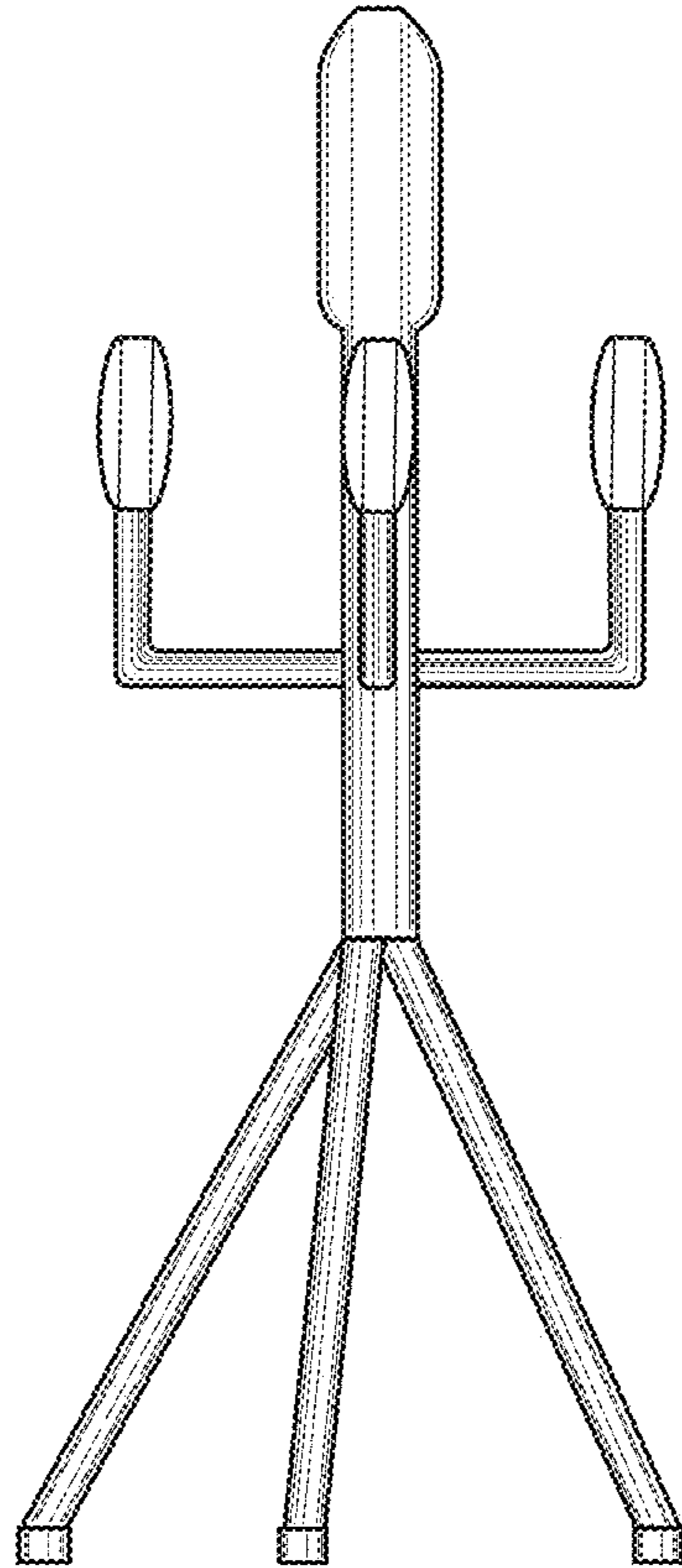


FIG. 2

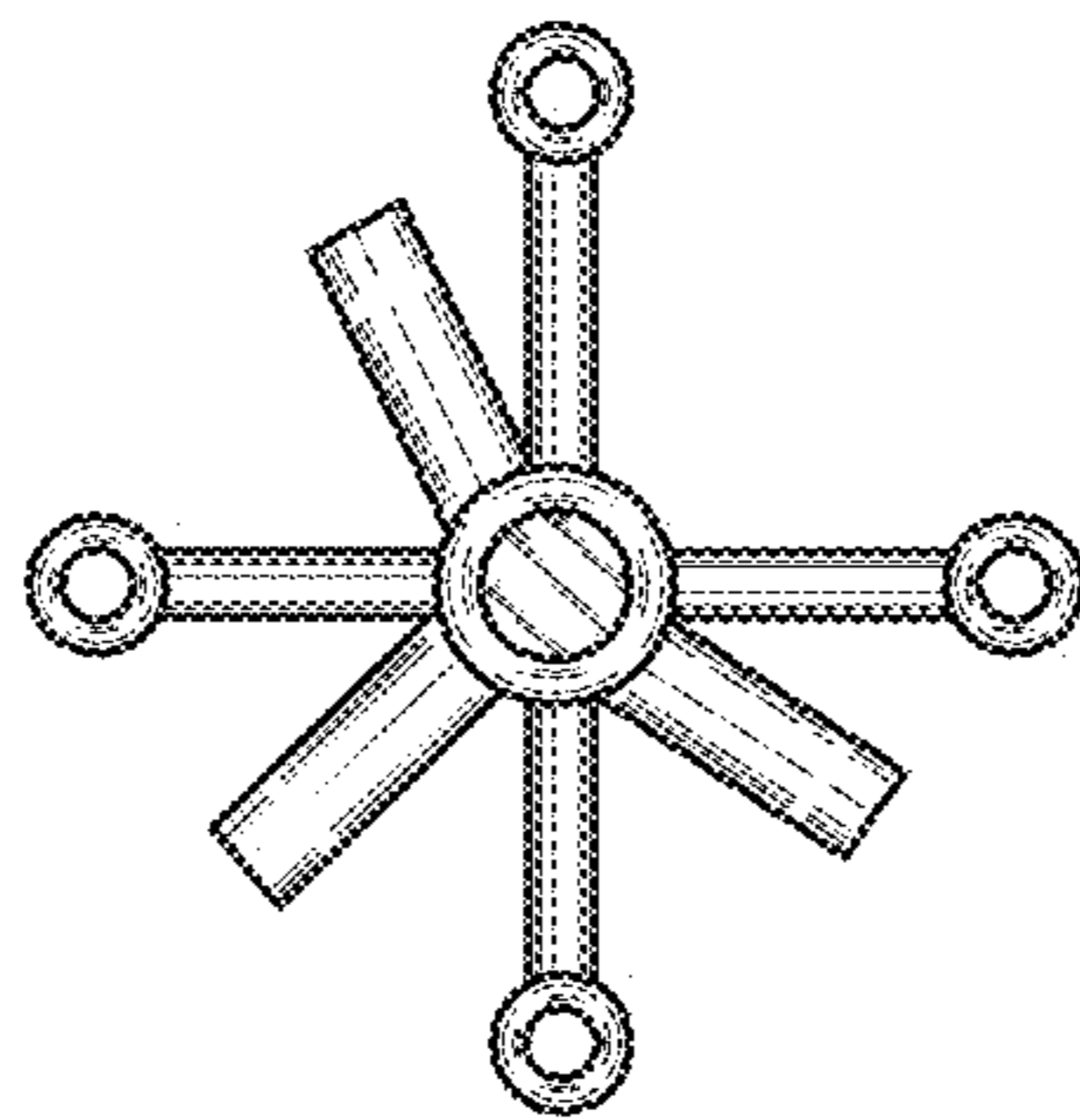


FIG. 3

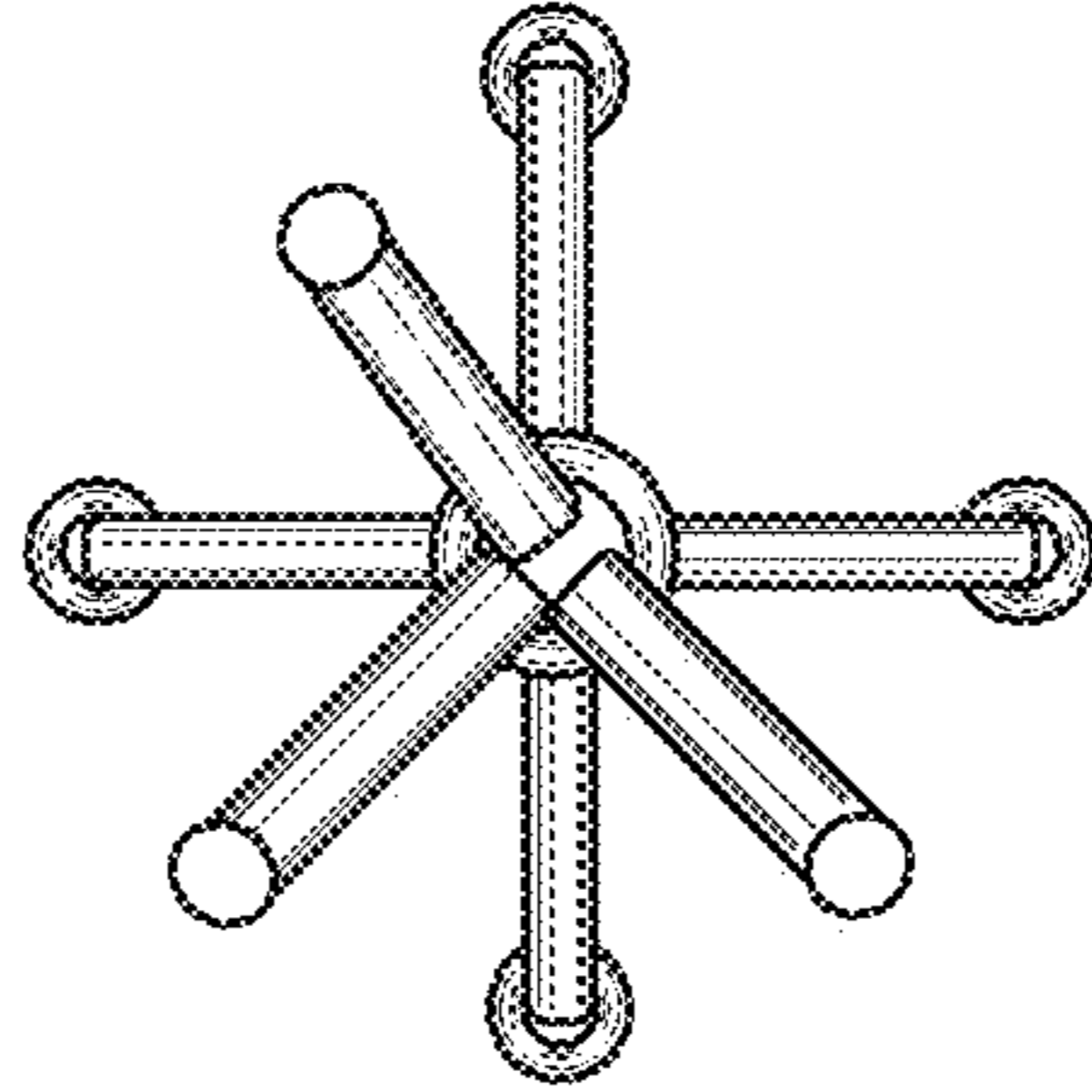


FIG. 4

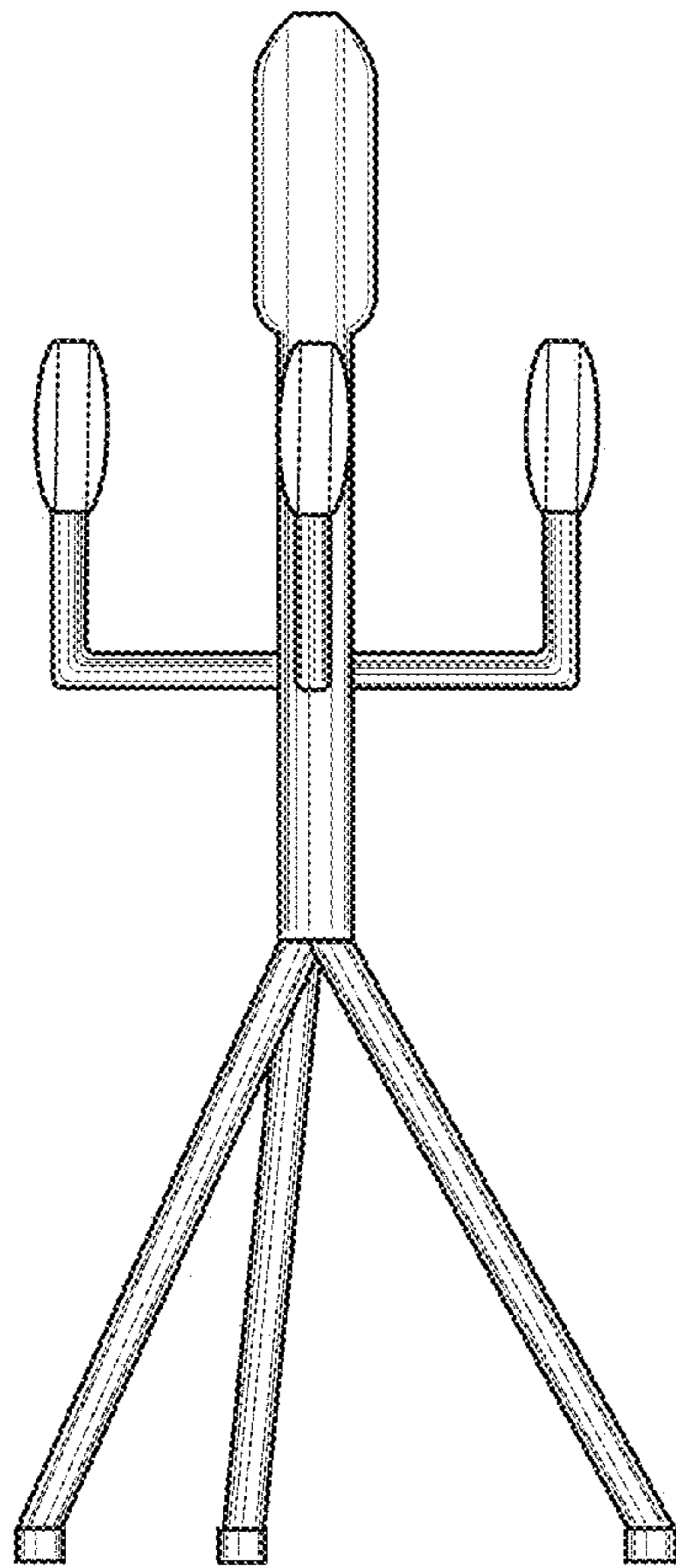


FIG. 5

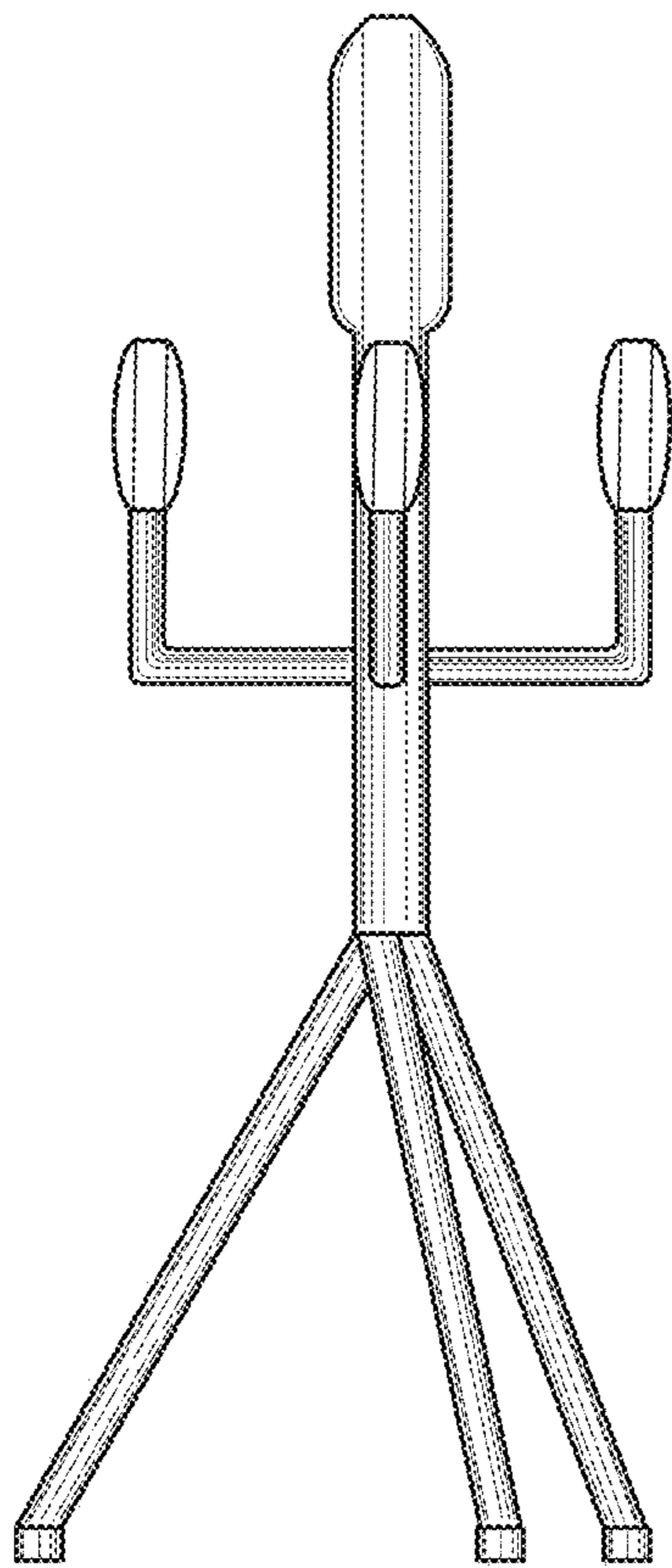


FIG. 6

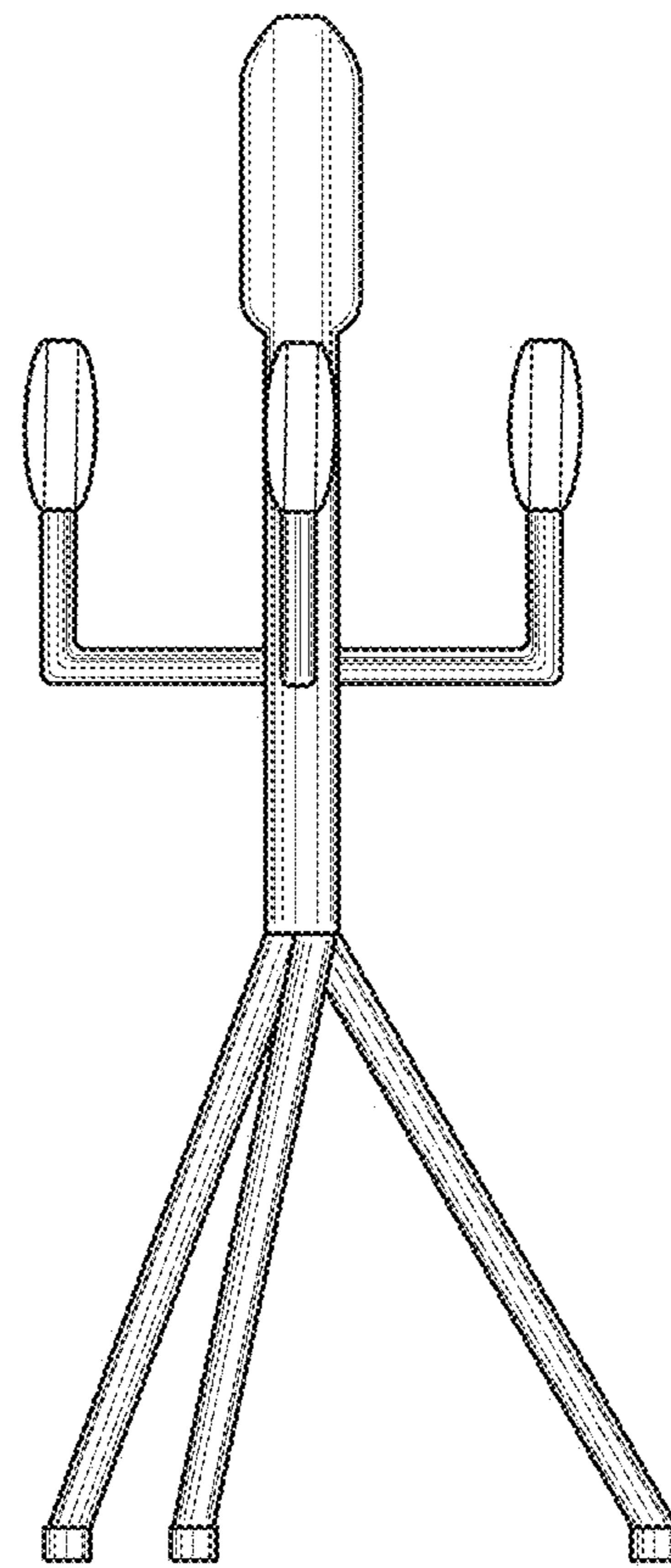


FIG. 7