



US00D911619S

(12) **United States Design Patent** (10) **Patent No.:** **US D911,619 S**
Kanes (45) **Date of Patent:** **** Feb. 23, 2021**

(54) **MAKEUP COMPACT CASE WITH INTERCHANGEABLE PANELS**

(71) Applicant: **Le Duette LLC**, Garden City, NY (US)

(72) Inventor: **Marina Kanés**, Garden City, NY (US)

(**) Term: **15 Years**

(21) Appl. No.: **29/684,271**

(22) Filed: **Mar. 19, 2019**

(51) **LOC (13) Cl.** **28-03**

(52) **U.S. Cl.**
USPC **D28/83**

(58) **Field of Classification Search**
USPC D28/76-84; D3/247, 249
CPC A45D 33/28; A45D 2040/223-228; A45D 33/08; A45D 33/16; A45D 33/18-24; A45D 40/22-222; A45D 40/24; A45D 33/00; A45D 33/003; A45D 33/005; A45D 33/006; A45D 33/008; A45C 11/008; A45C 2011/006-007

See application file for complete search history.

(56) **References Cited**

U.S. PATENT DOCUMENTS

2,230,674	A *	2/1941	Botham	A45D 40/221 132/318
6,412,640	B1 *	7/2002	Destanque	A45D 33/28 132/297
D476,448	S *	6/2003	Sheng	D28/83
7,340,238	B2 *	3/2008	Napier-Clark	A45D 33/008 379/433.11
D586,504	S *	2/2009	Moon	D28/82
D601,303	S *	9/2009	Cho	D28/61
9,743,742	B2 *	8/2017	Brogioitti	A45D 33/26
2008/0078419	A1 *	4/2008	Hirst	A45D 33/006 132/286
2019/0387864	A1 *	12/2019	Hong	A45D 33/008

FOREIGN PATENT DOCUMENTS

EP 3100635 A1 * 12/2016 A45D 40/24

OTHER PUBLICATIONS

<https://poshmark.com/listing/Vintage-Coty-Duette-Compact-Powder-Lipstick-5d6555037a81737d519cc2a0> Vintage Coty Duette Compact, 1 page, www.poshmark.com, downloaded Sep. 14, 2020 (Year: 1964).*

* cited by examiner

Primary Examiner — Jennifer Rivard

(74) *Attorney, Agent, or Firm* — Kristin Grant; Grant Attorneys at Law PLC

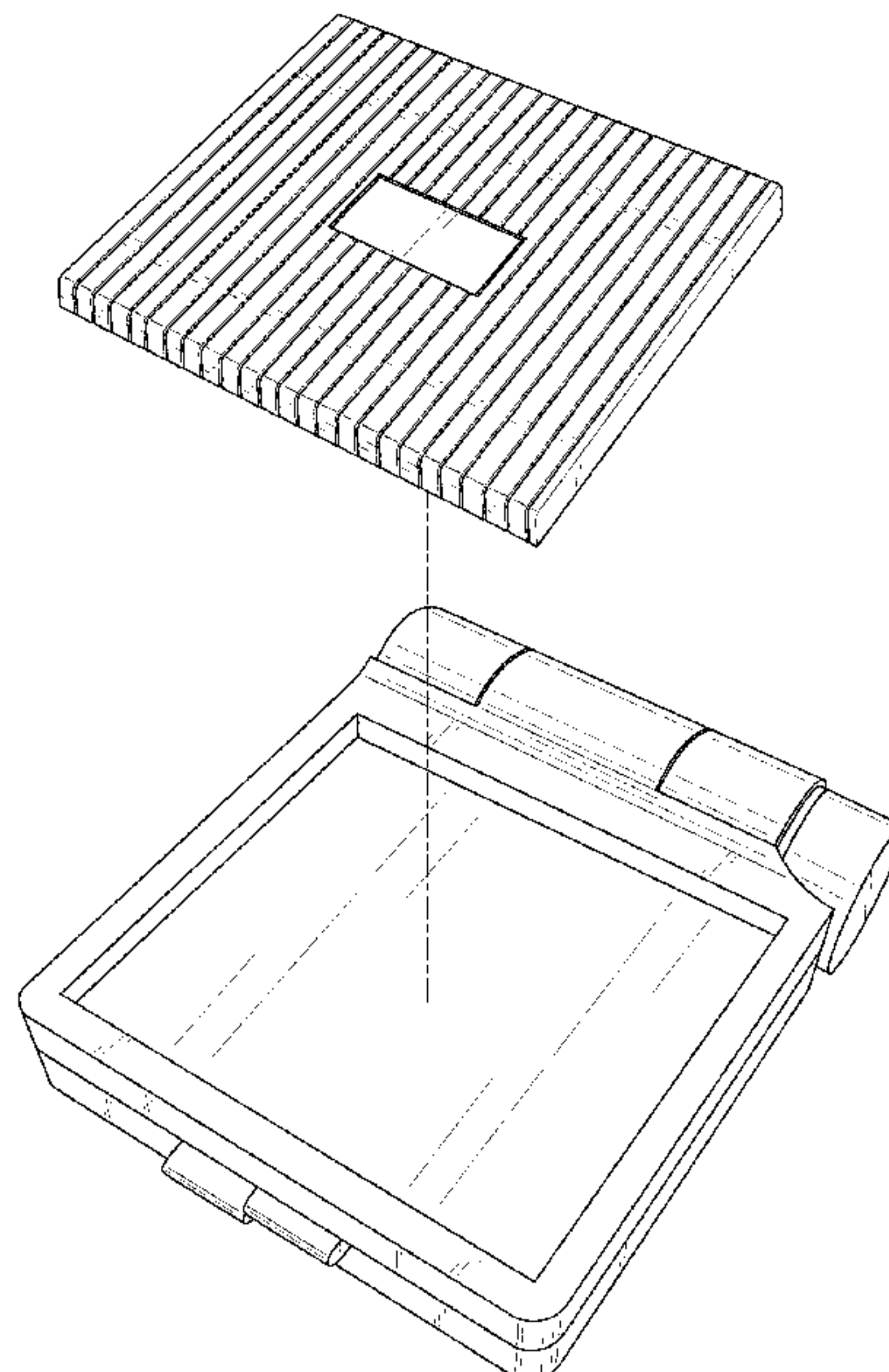
(57) **CLAIM**

The ornamental design for a makeup compact case with interchangeable panels, as shown and described.

DESCRIPTION

FIG. 1 is a top perspective view of the makeup compact case with interchangeable panels according to the present invention;
FIG. 2 is an exploded view thereof;
FIG. 3 is a front view of the makeup compact case with interchangeable panels that is shown in FIG. 1;
FIG. 4 is a back view thereof;
FIG. 5 is a left-side view thereof;
FIG. 6 is a right-side view thereof;
FIG. 7 is a top view thereof;
FIG. 8 is a bottom view thereof; and,
FIG. 9 is a top view of the makeup compact case with interchangeable panels illustrating the additional panel.

1 Claim, 9 Drawing Sheets



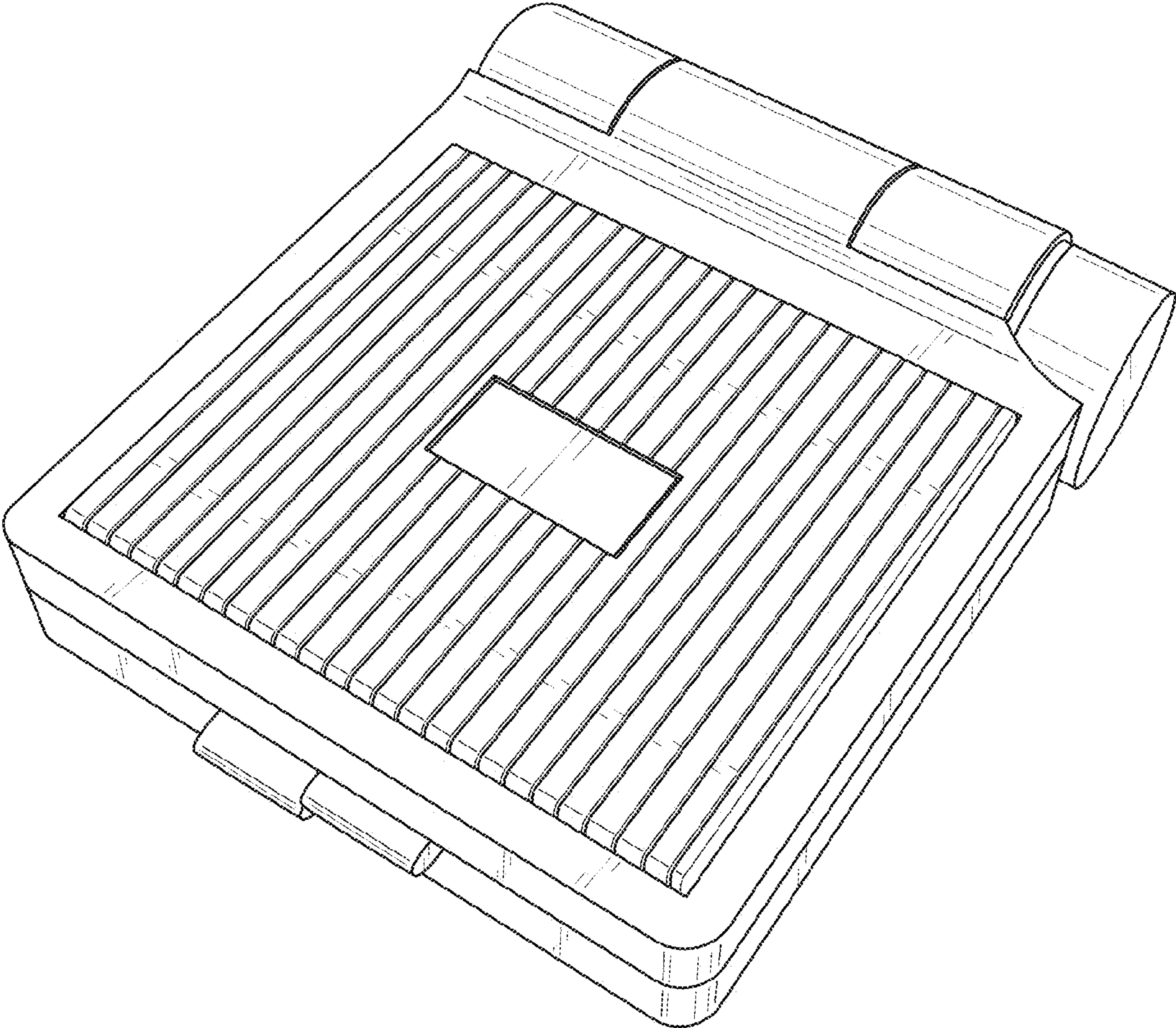


FIG. 1

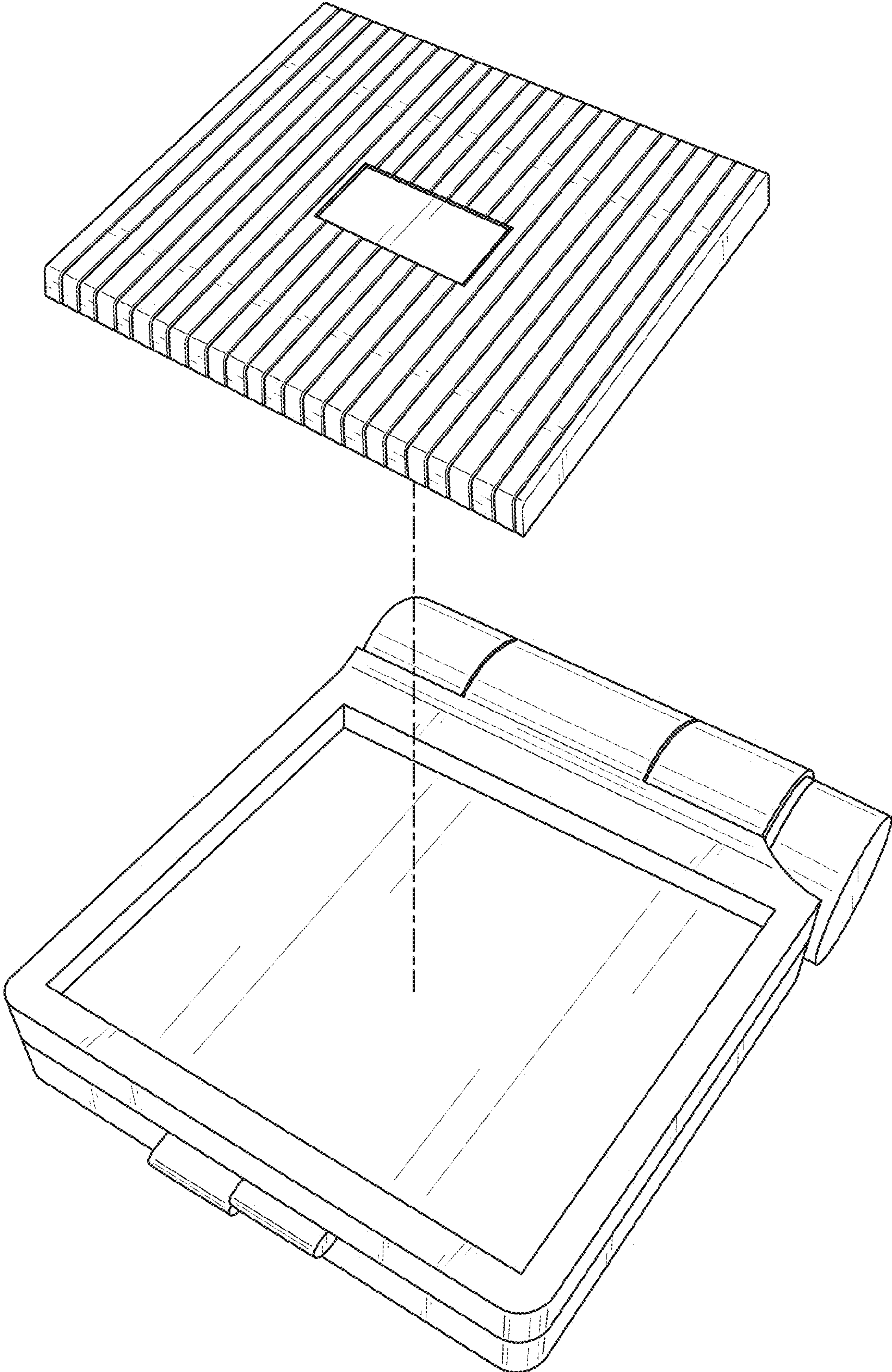


FIG. 2

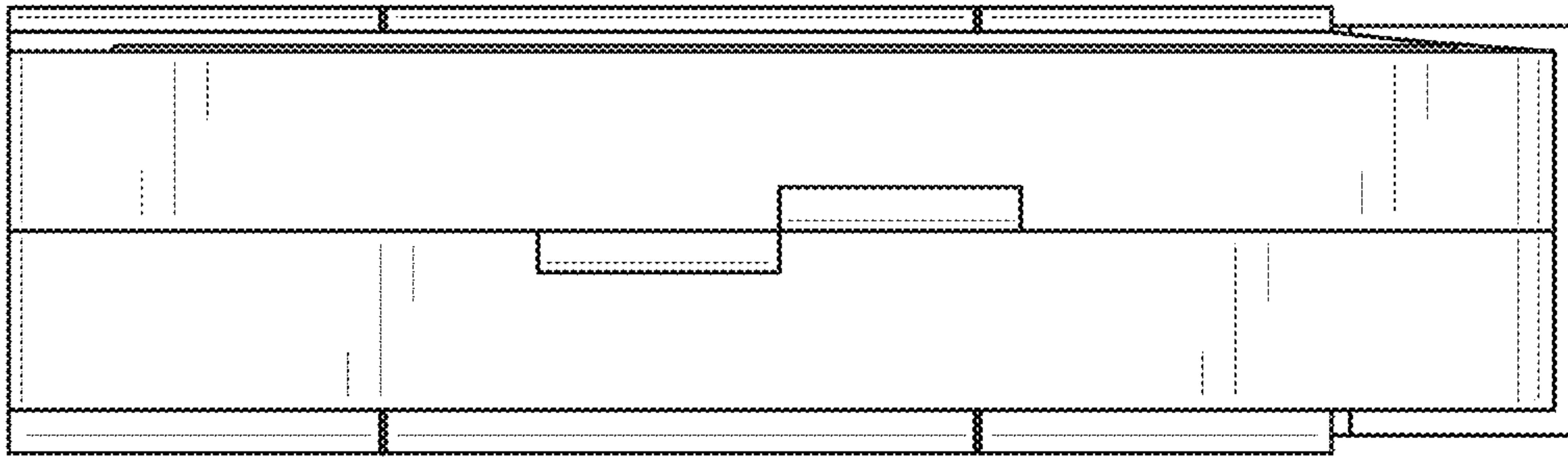


FIG. 3

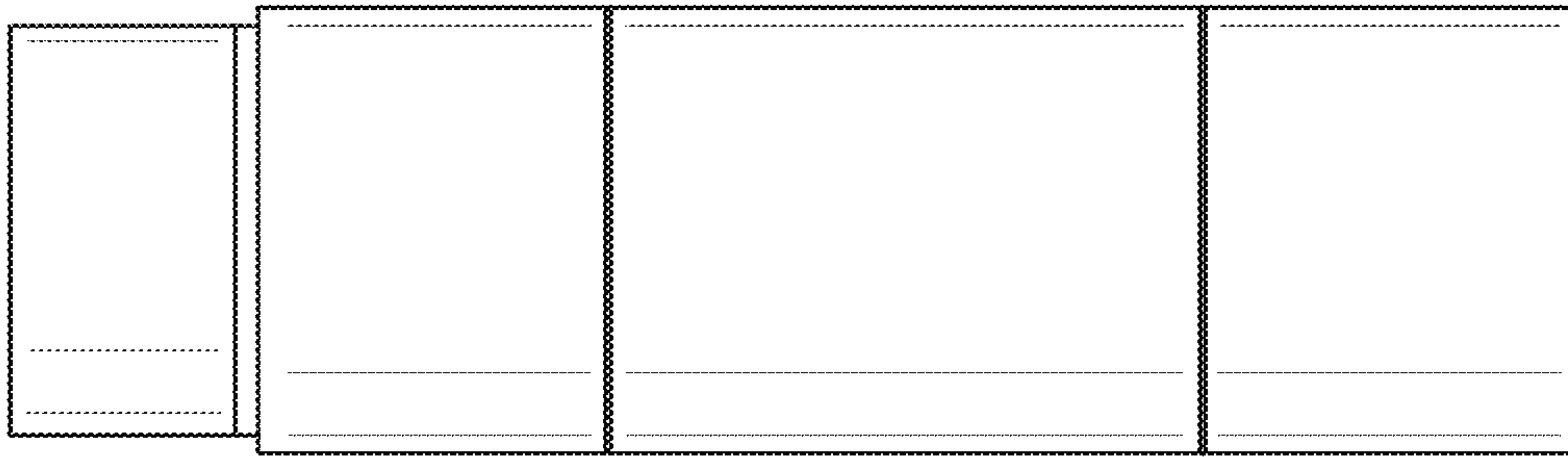


FIG. 4

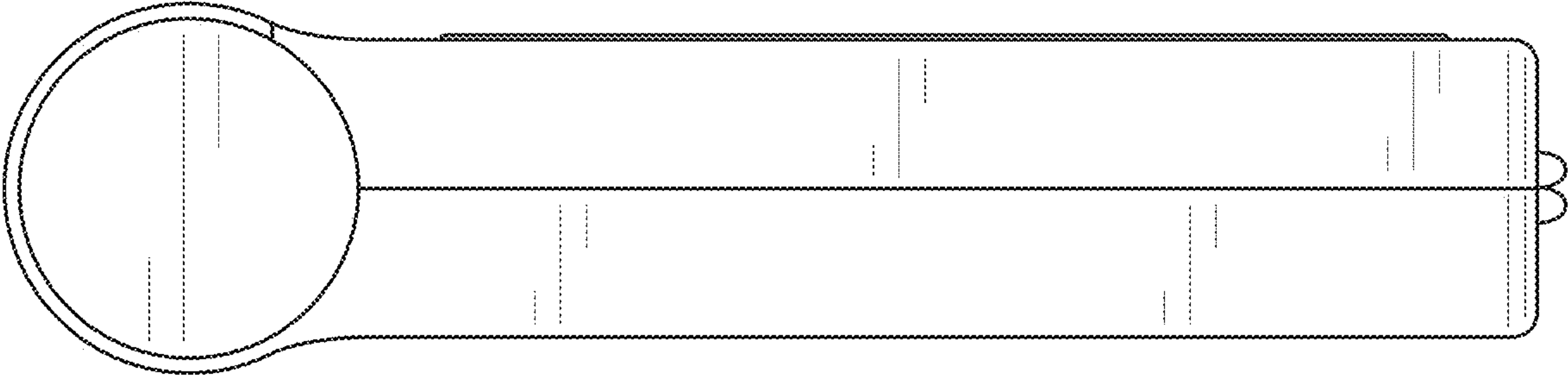


FIG. 5

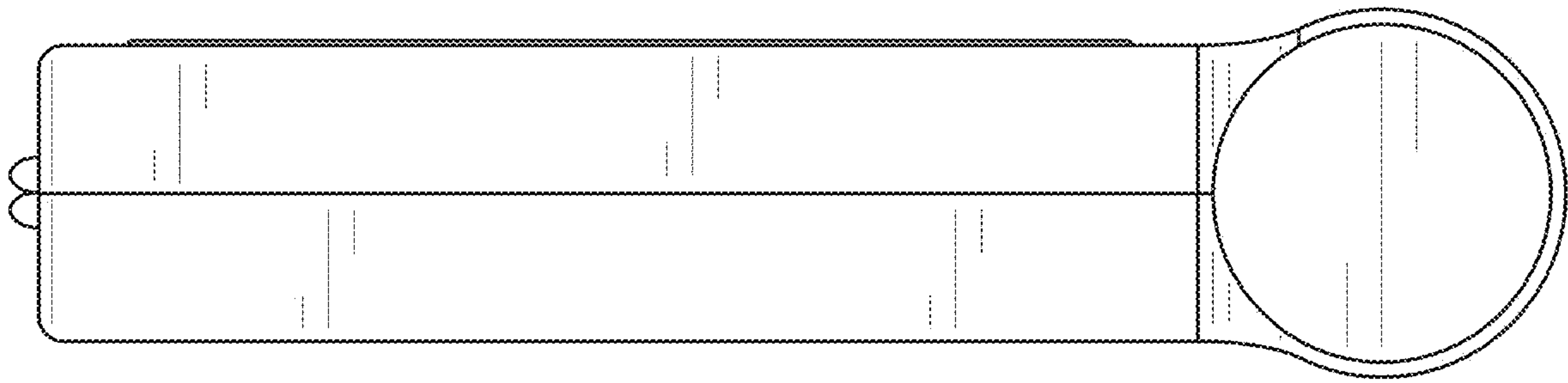


FIG. 6

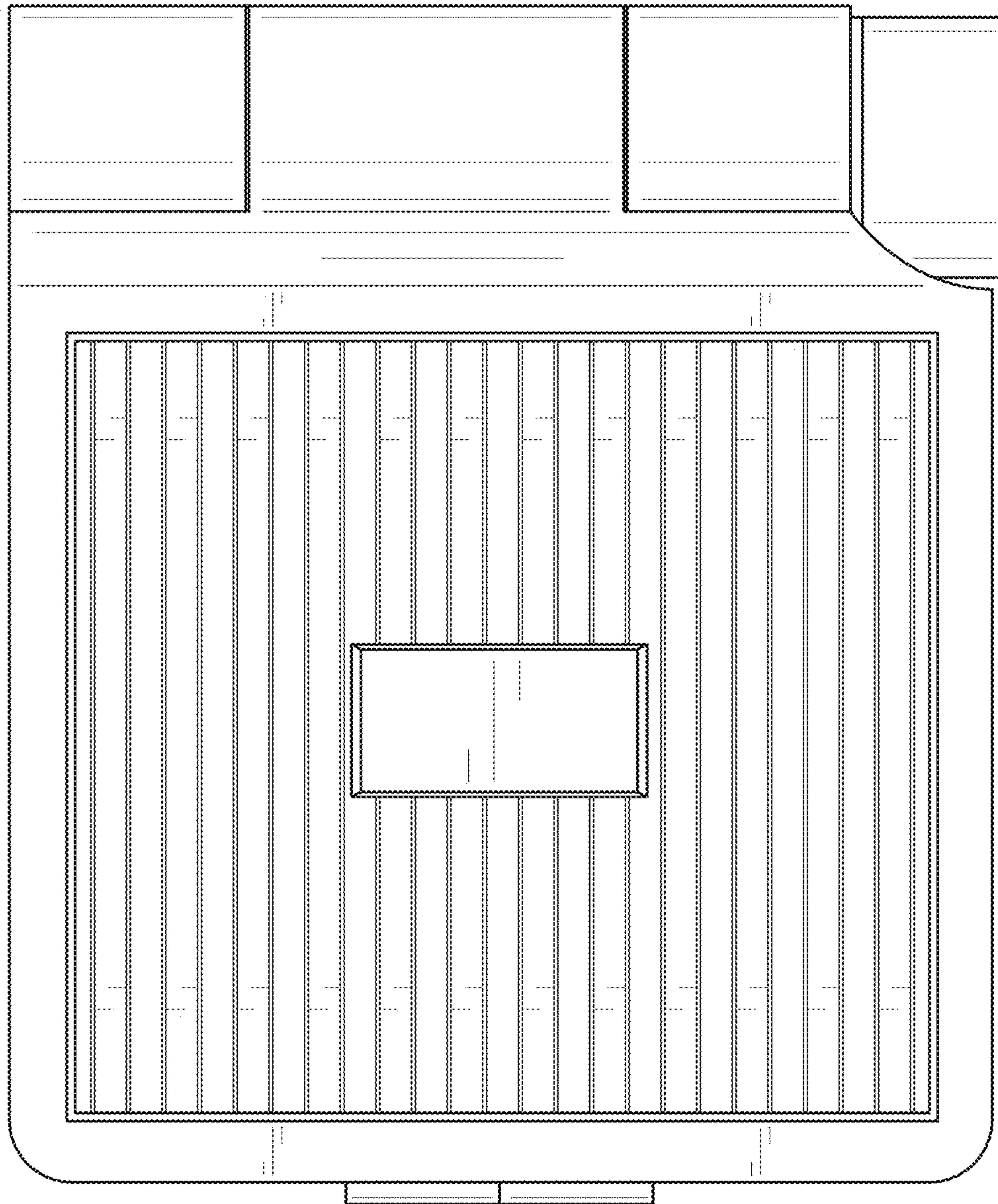


FIG. 7

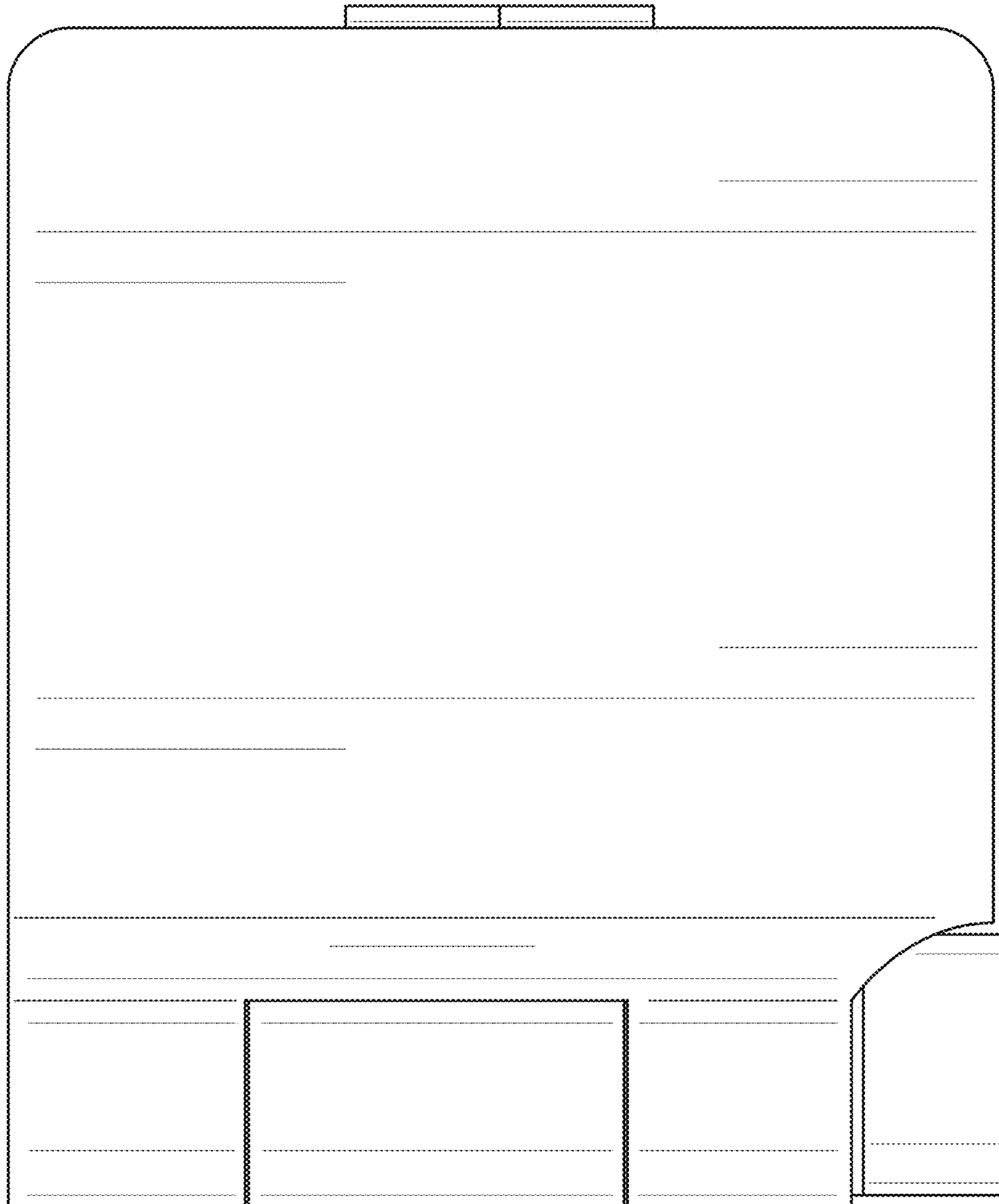


FIG. 8

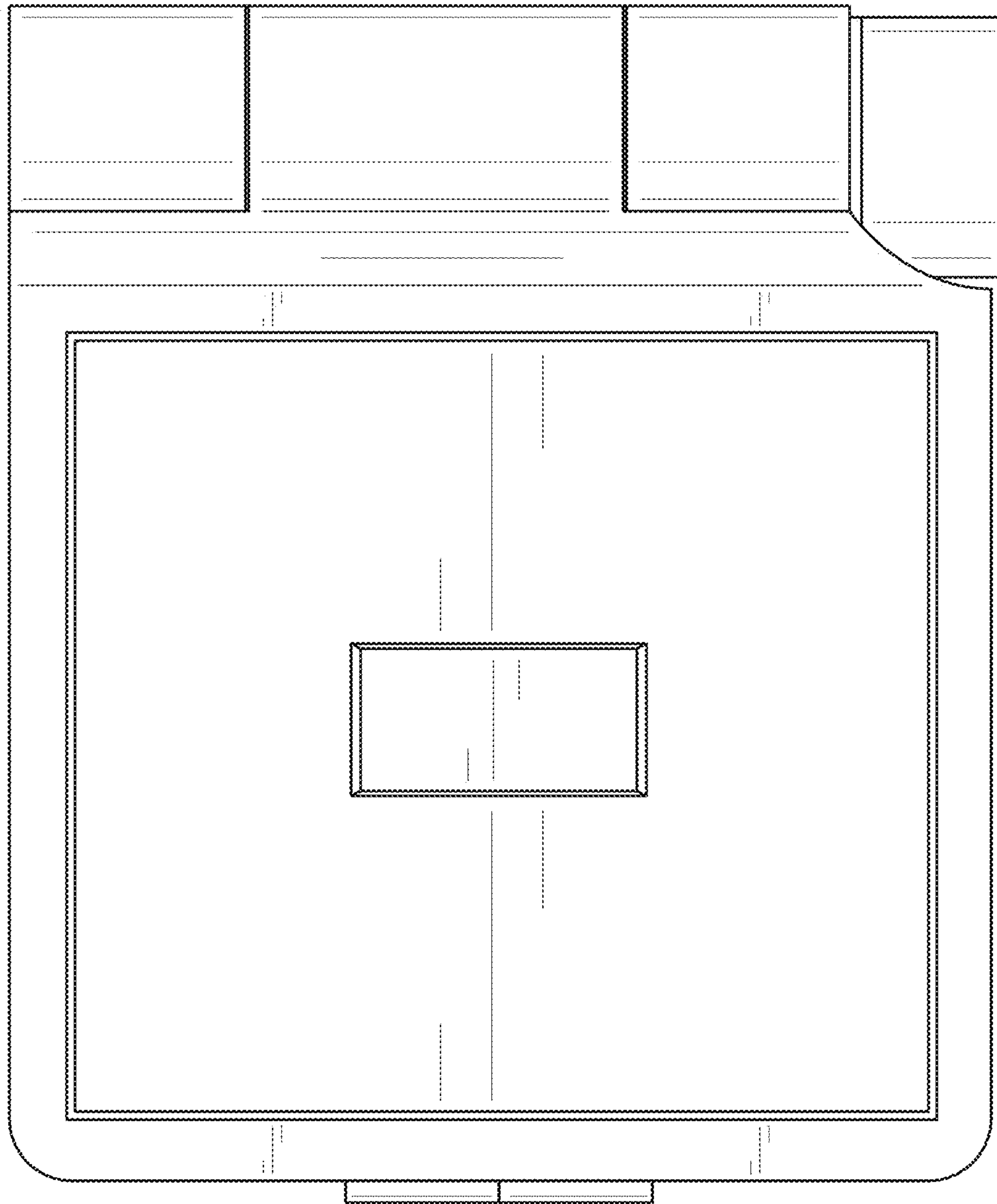


FIG. 9