



US00D911618S

(12) **United States Design Patent** (10) **Patent No.:** **US D911,618 S**  
**Moon** (45) **Date of Patent:** **\*\* Feb. 23, 2021**

(54) **COSMETICS CONTAINER**  
(71) Applicant: **Eun Bin Moon**, Busan (KR)  
(72) Inventor: **Eun Bin Moon**, Busan (KR)  
(\*\*) Term: **15 Years**  
(21) Appl. No.: **35/507,872**  
(22) Filed: **Apr. 9, 2019**

D264,350 S \* 5/1982 Jacobsen ..... D19/106  
D264,520 S \* 5/1982 Garrett ..... D19/67  
D277,901 S \* 3/1985 Leslie ..... D3/217  
(Continued)

**FOREIGN PATENT DOCUMENTS**

CN 201730568558.4 \* 4/2018  
JP D2001-9816 \* 2/2001

**OTHER PUBLICATIONS**

Hello Subscription, New Beauty Test Tube Jul. 2017 Subscription Box Review, posted Jul. 17, 2017, [online], [visited Sep. 16, 2020]. Internet, <URL: <https://hellosubscription.com/2017/07/new-beauty-test-tube-july-2017-subscription-box-review-coupon/>> (Year: 2017).\*

*Primary Examiner* — George D. Kirschbaum  
*Assistant Examiner* — Samantha N Wood  
(74) *Attorney, Agent, or Firm* — Antonio Ha & U.S. Patent, LLC

(80) **Hague Agreement Data**  
Int. Filing Date: **Apr. 9, 2019**  
Int. Reg. No.: **DM/204164**  
Int. Reg. Date: **Apr. 9, 2019**  
Int. Reg. Pub. Date: **Nov. 29, 2019**  
(30) **Foreign Application Priority Data**

Oct. 11, 2018 (KR) ..... 30-2018-0046705  
(51) **LOC (13) Cl.** ..... **28-03**  
(52) **U.S. Cl.**  
USPC ..... **D28/76**

(58) **Field of Classification Search**  
USPC ..... D28/4, 7, 9, 8, 99, 73, 76, 91, 78;  
D3/201, 203.1, 203.2, 203.3, 263, 265,  
D3/273, 294, 295, 900, 901; D9/737,  
D9/756, 434, 435; D19/102, 103, 106  
CPC ..... A45D 2200/00; A45D 2200/051; A45D  
33/00; A45D 33/22; A45D 33/24; A45D  
33/26; A45D 33/38; A45D 33/008; A45D  
33/003; A45D 33/005  
See application file for complete search history.

(56) **References Cited**

**U.S. PATENT DOCUMENTS**

1,999,328 A \* 4/1935 Lessard ..... A45D 33/22  
132/315  
D162,766 S \* 4/1951 Wray ..... D28/86  
D163,569 S \* 6/1951 Christy ..... D28/76  
D215,388 S \* 9/1969 Kieran ..... D28/99  
D252,072 S \* 6/1979 Bridges ..... D3/203.3

(57) **CLAIM**

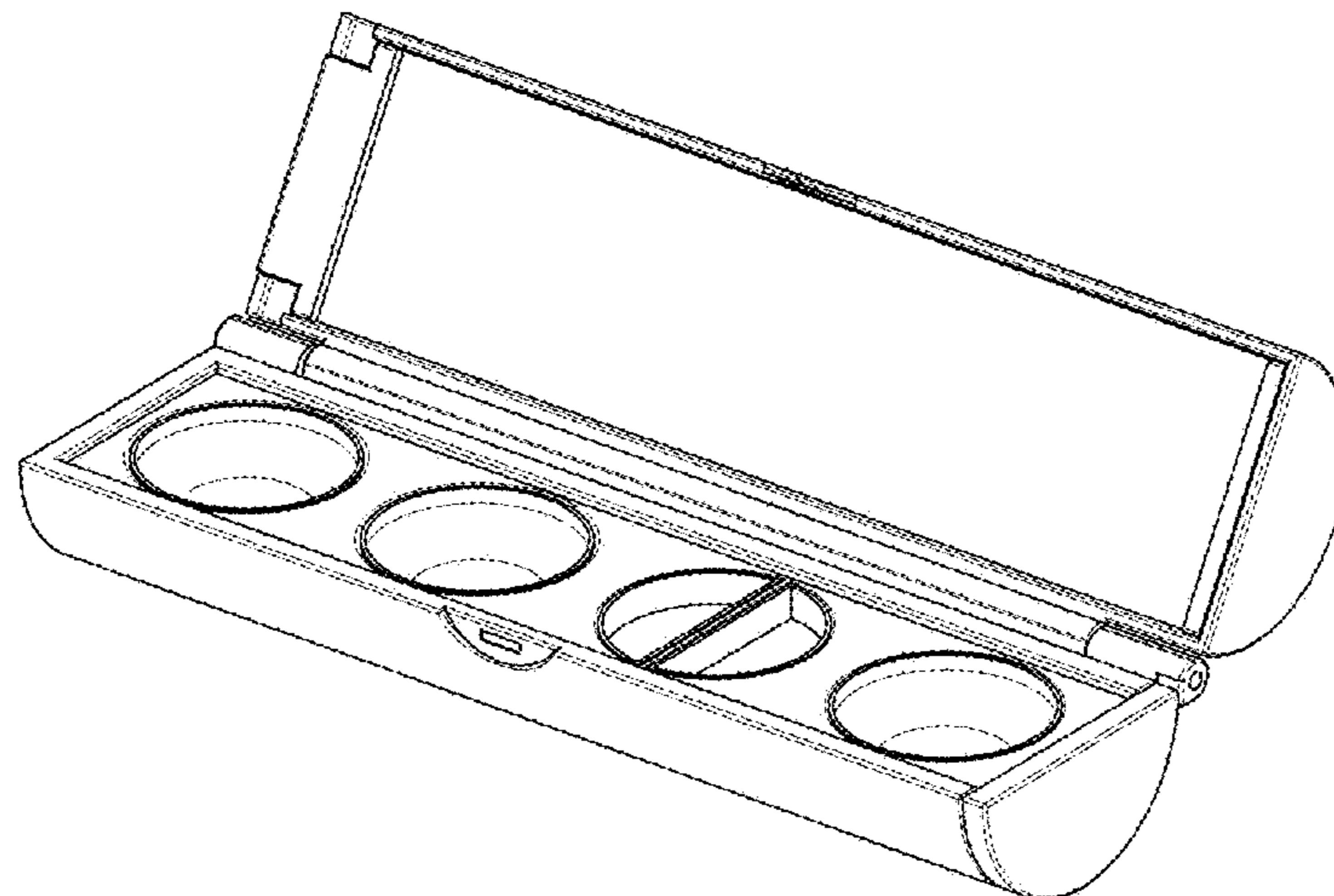
The ornamental design for a cosmetics container, as shown and described.

**DESCRIPTION**

- 1. Cosmetics container
- 1.1 : Perspective
- 1.2 : Perspective
- 1.3 : Front
- 1.4 : Back
- 1.5 : Left
- 1.6 : Right
- 1.7 : Top
- 1.8 : Bottom
- 1.9 : Reference
- 1.10 : Reference

Materials include a synthetic resin; the subject design is a container for cosmetics used to store cosmetics, and includes a small cap on the left of a cover, as shown in reproduction 1.10;

**1 Claim, 10 Drawing Sheets**



(56)

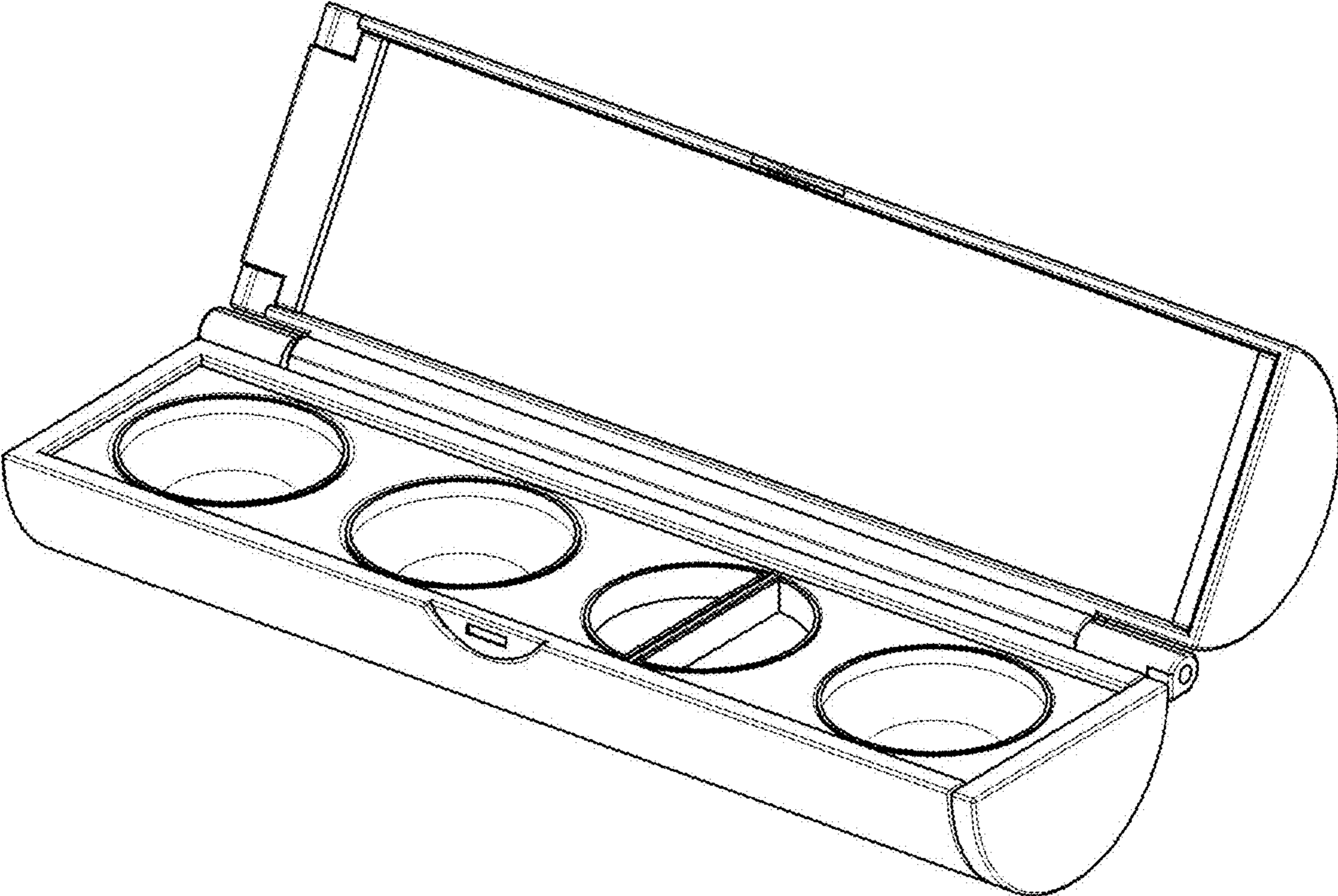
**References Cited**

U.S. PATENT DOCUMENTS

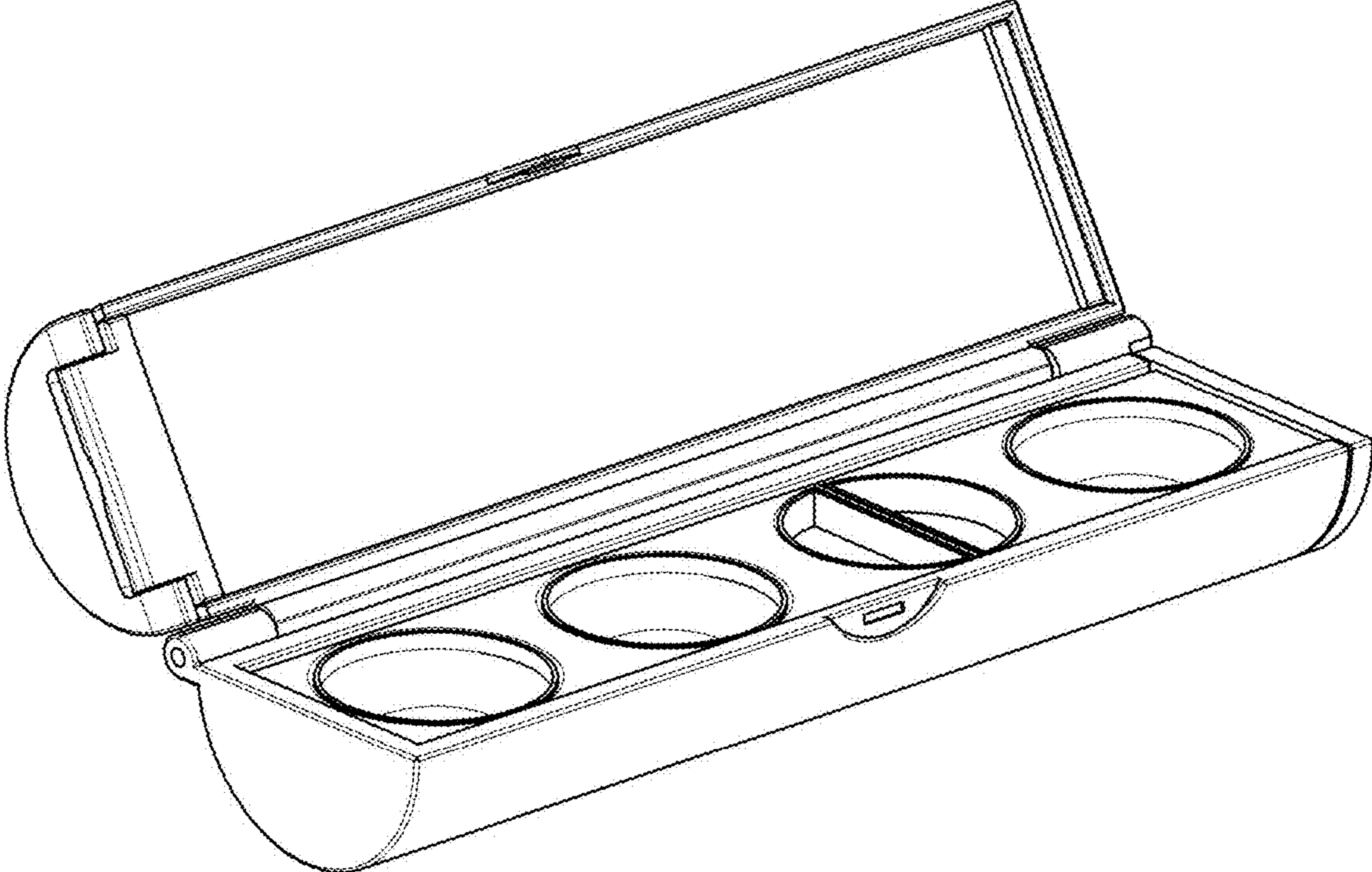
D347,297 S \* 5/1994 Vesco ..... D28/73  
D381,515 S \* 7/1997 Haynes ..... D24/224  
D399,540 S \* 10/1998 Wolfenstein ..... D21/392  
D431,905 S \* 10/2000 McCormack ..... D3/273  
D436,693 S \* 1/2001 Thorpe ..... A45D 33/00  
D28/76  
D477,895 S \* 7/2003 Goswell ..... D28/83  
D518,238 S \* 3/2006 Chen ..... D28/76  
D713,639 S \* 9/2014 Whitlock ..... D3/202  
2017/0253391 A1 \* 9/2017 Wichowski ..... B65D 43/16

\* cited by examiner

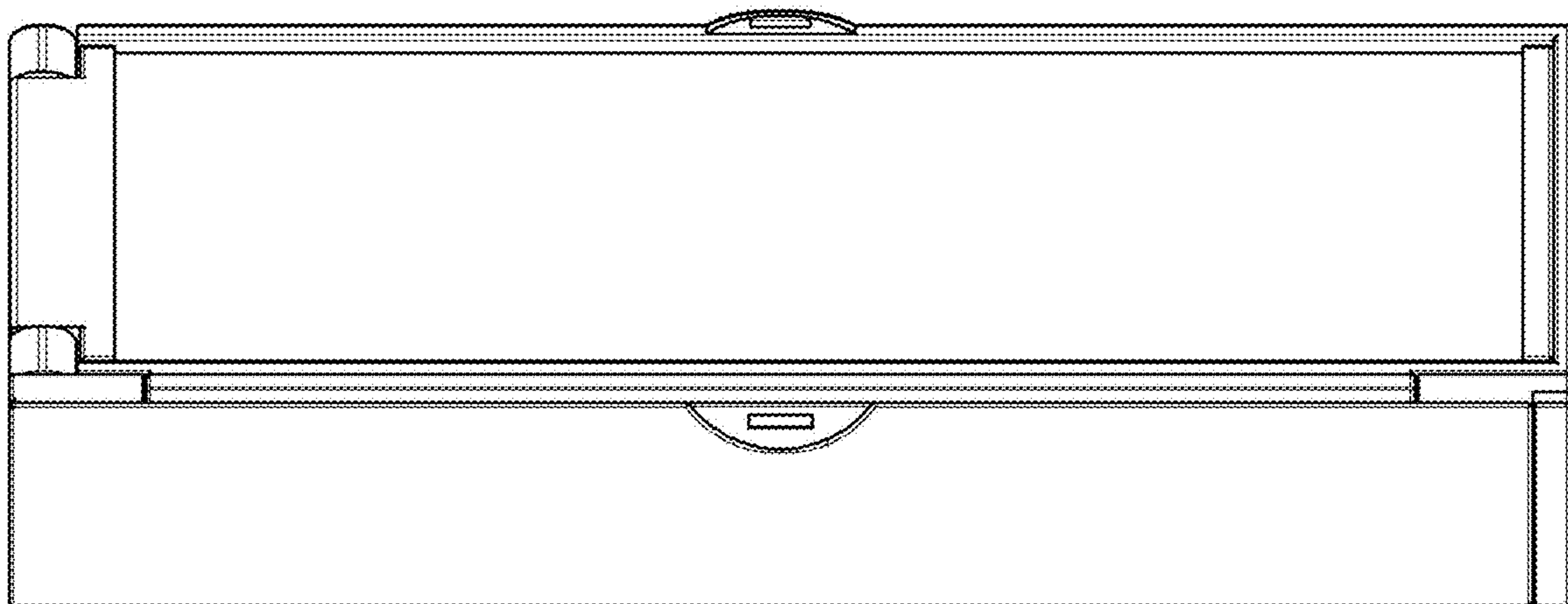
1.1



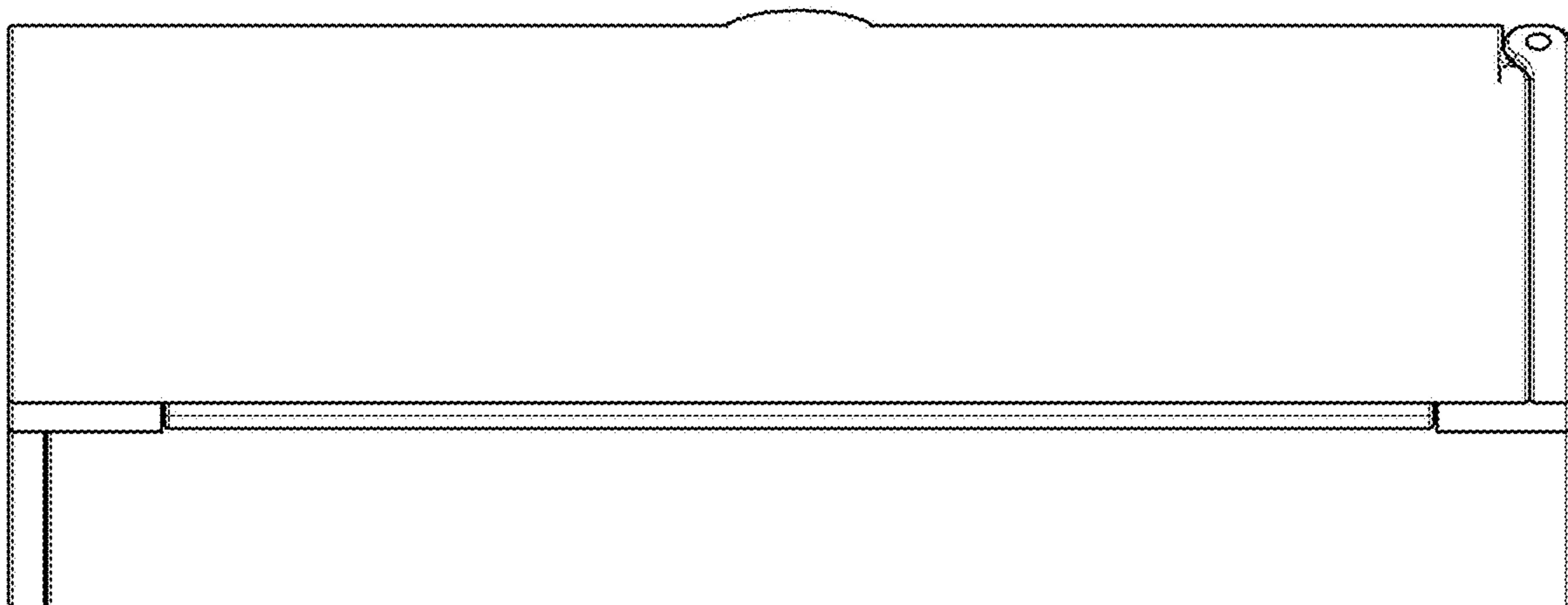
1.2



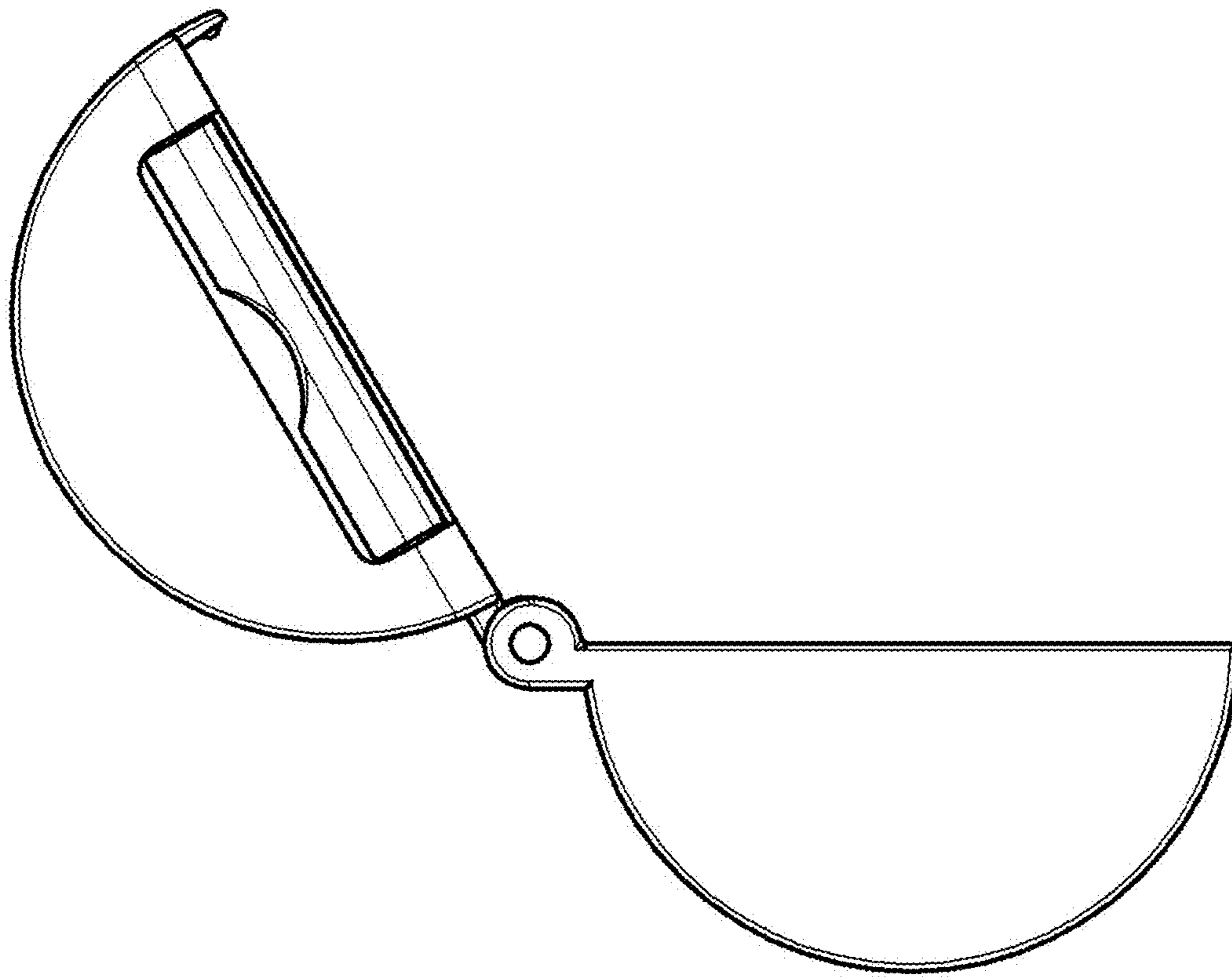
1.3



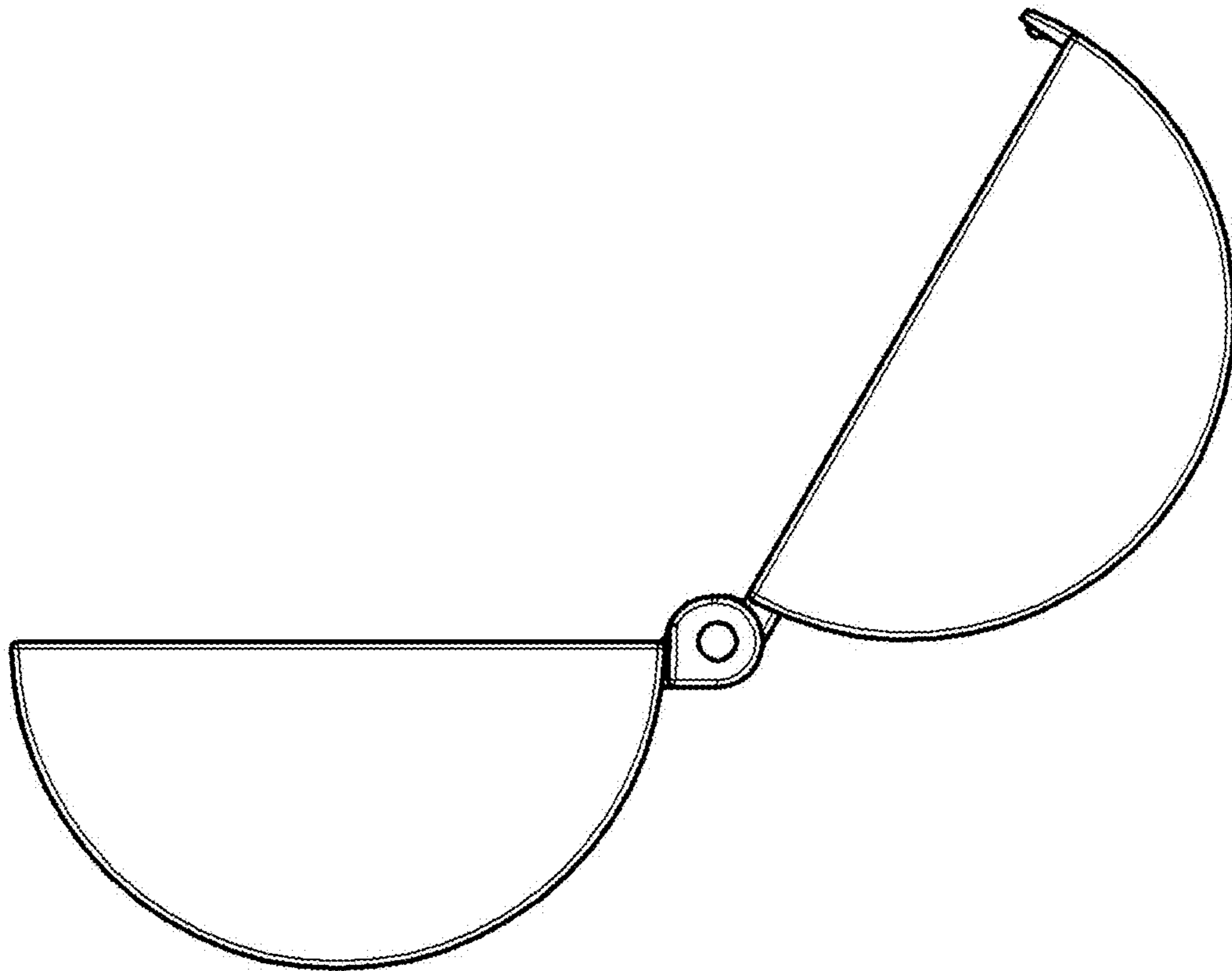
1.4



1.5

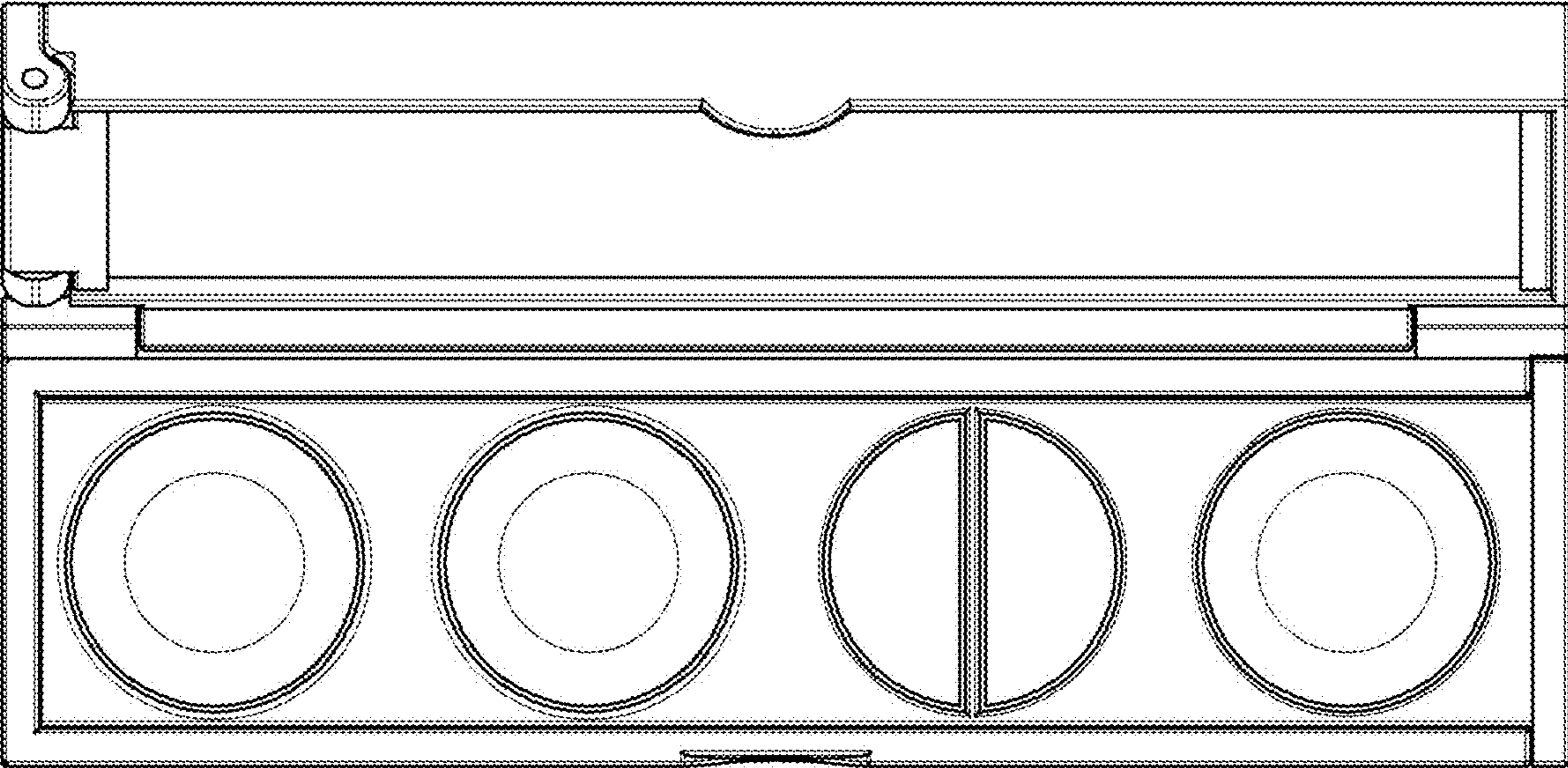


1.6

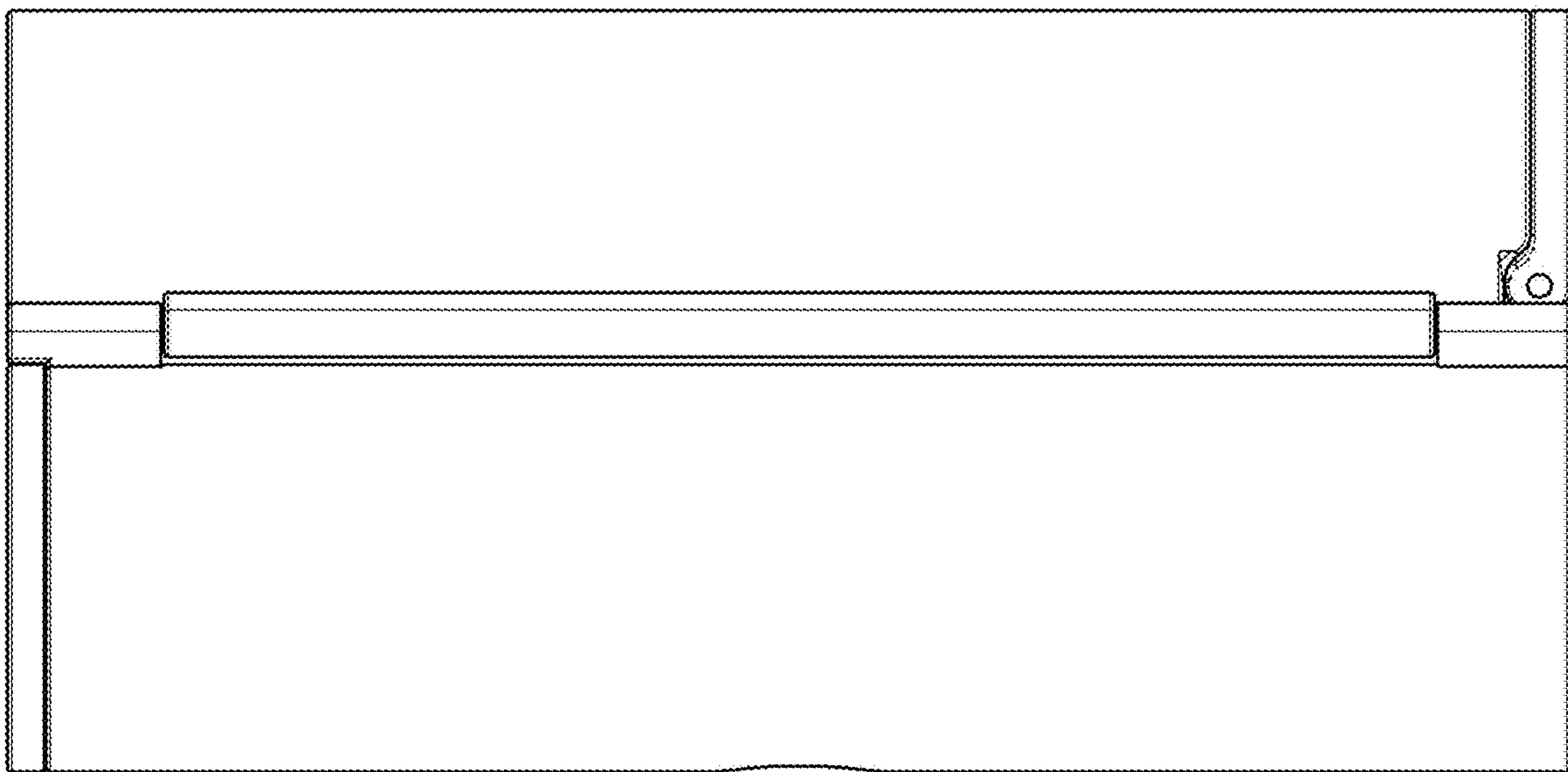




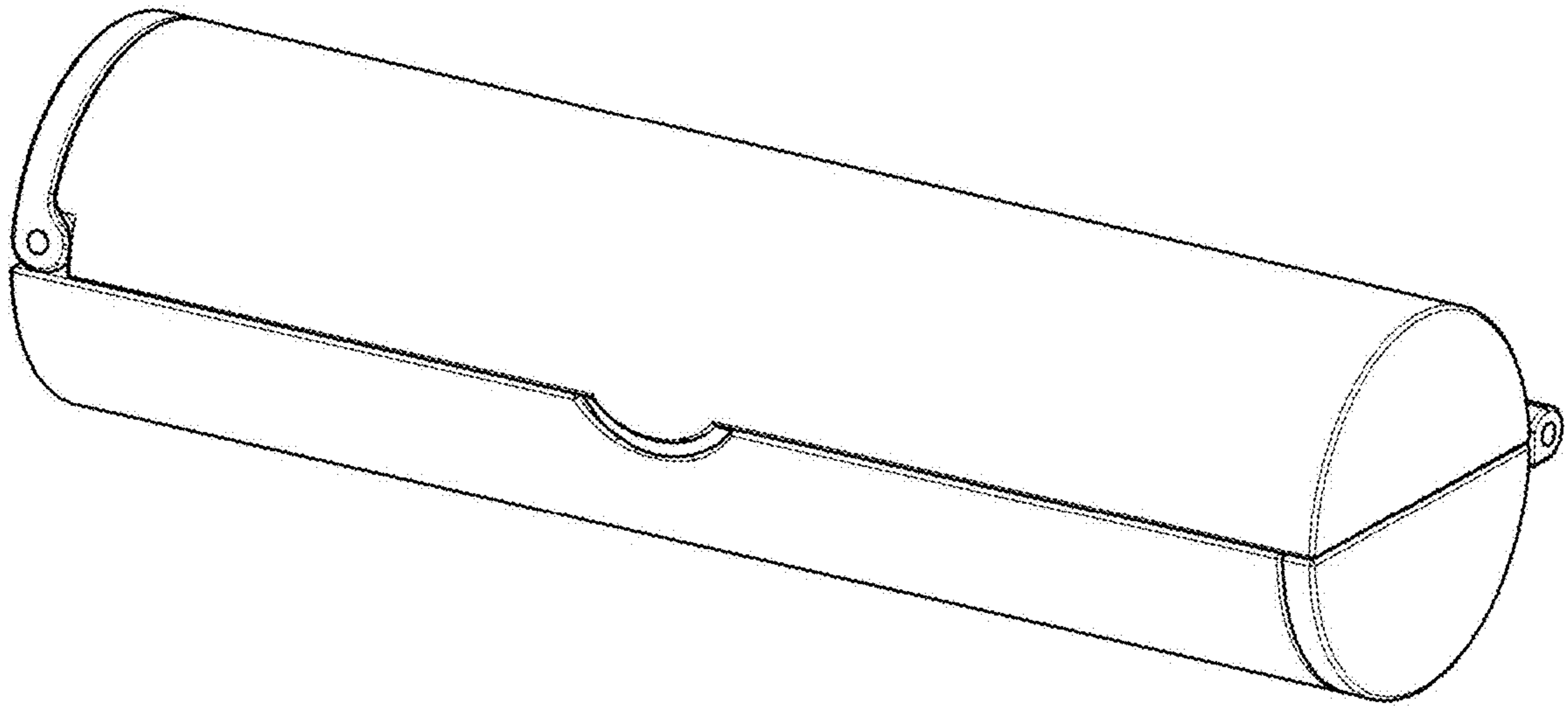
1.7



1.8



1.9



1.10

