



US00D911617S

(12) **United States Design Patent** (10) **Patent No.:** **US D911,617 S**
Markary (45) **Date of Patent:** **** Feb. 23, 2021**

(54) **COSMETICS PALETTE**

(71) Applicant: **Black Moon Cosmetics**, Burbank, CA (US)
(72) Inventor: **Tina Markary**, Burbank, CA (US)
(73) Assignee: **Black Moon Cosmetics**, Burbank, CA (US)
(**) Term: **15 Years**

(21) Appl. No.: **29/698,831**

(22) Filed: **Jul. 19, 2019**

Related U.S. Application Data

(63) Continuation-in-part of application No. 29/600,790, filed on Apr. 14, 2017, now abandoned.

(51) **LOC (13) Cl.** **28-03**

(52) **U.S. Cl.**
USPC **D28/76; D28/82**

(58) **Field of Classification Search**

USPC D28/36, 64.1, 76-84, 85-91, 99;
D9/430-433, 435, 503-505, 722, 737,
D9/756, 759, 529; D3/295; D19/103,
D19/106, 112
CPC A45D 33/006; A45D 33/003; A45D
33/04-33; A45D 33/025; A45D 33/02;
A45D 33/20; A45D 33/22; A45D 33/24;
A45D 33/26; A45D 33/28; A45D 33/18;
A45D 40/22; A45D 40/222; A45D 40/24;
A41G 5/02

See application file for complete search history.

(56) **References Cited**

U.S. PATENT DOCUMENTS

D188,959 S * 10/1960 Floss D3/203.3
D215,766 S * 10/1969 Dusek D19/106
D277,419 S * 1/1985 Schefer D28/7
D288,698 S * 3/1987 Finnamore D21/341

(Continued)

OTHER PUBLICATIONS

Orb of Light Full Moon Palette, Black Moon Cosmetics, reviewed on Aug. 6, 2018, retrieved on Jul. 23, 2020, retrieved from the Internet URL: <https://www.blackmooncosmetics.com/products/orb-of-light-full-moon-eyeshadow-palette#shopify-product-reviews>.*

Primary Examiner — Jennifer Rivard

Assistant Examiner — Alison M Ofstun

(74) *Attorney, Agent, or Firm* — Sean Lynch; The McArthur Law Firm

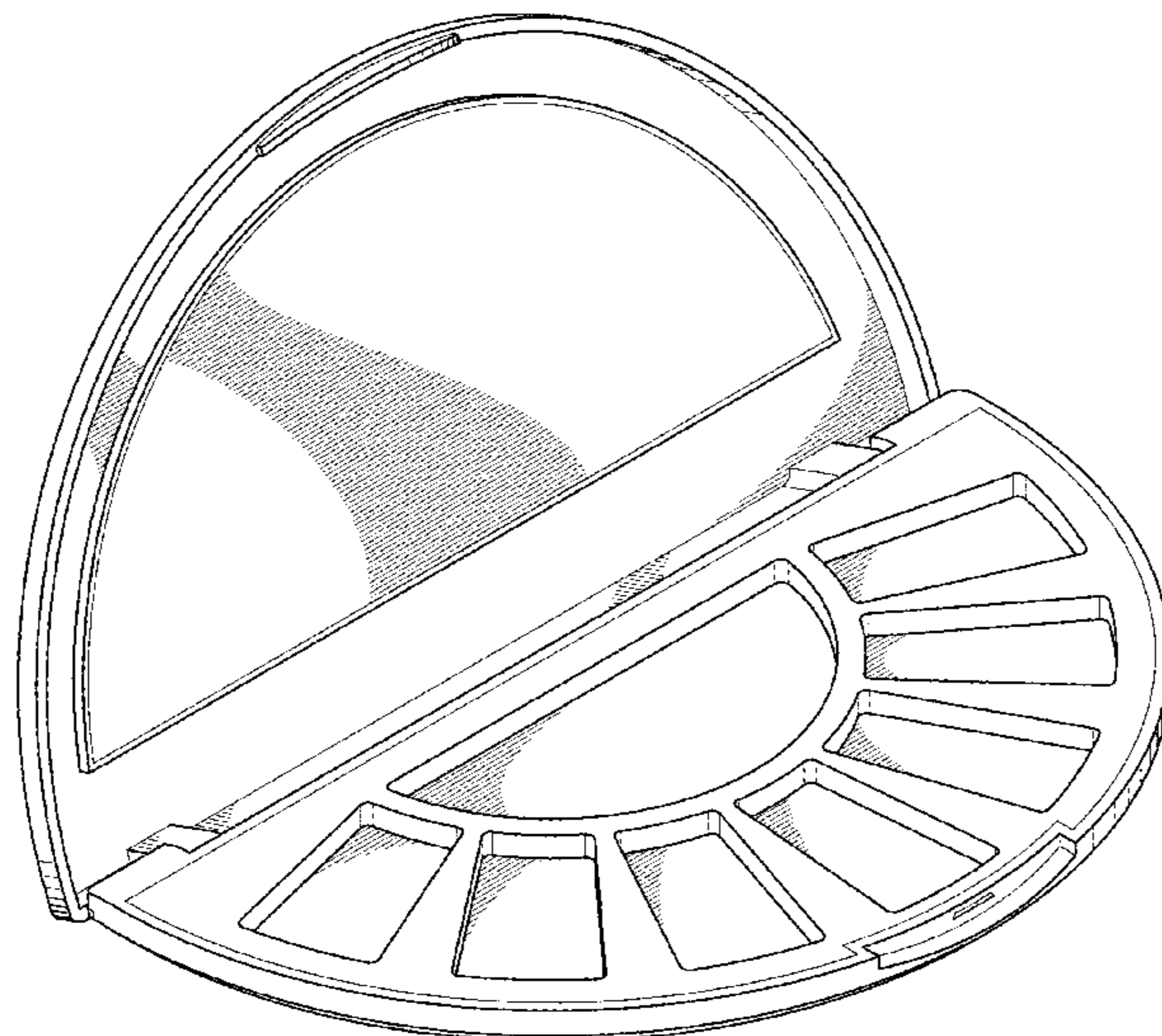
(57) **CLAIM**

The ornamental design for a cosmetics palette, as shown and described.

DESCRIPTION

FIG. 1 is a top, front, left-side perspective view of the cosmetics palette shown in a partially open position of use; FIG. 2 is a front view thereof; FIG. 3 is a rear view thereof; FIG. 4 is a left-side view thereof; FIG. 5 is a right-side view thereof; FIG. 6 is a bottom view thereof; FIG. 7 is a top, front, left-side perspective view thereof, shown in a fully open position of use; FIG. 8 is a top view thereof; FIG. 9 is a bottom view thereof; FIG. 10 is a right-side view thereof; FIG. 11 is a left-side view thereof; FIG. 12 is a front view thereof, shown in a closed position of use; FIG. 13 is a rear view thereof; FIG. 14 is a top view thereof; FIG. 15 is a bottom view thereof; FIG. 16 is a left-side view thereof; and, FIG. 17 is a right-side view thereof.

1 Claim, 14 Drawing Sheets



(56)

References Cited

U.S. PATENT DOCUMENTS

4,911,642 A * 3/1990 Knowles G09B 11/10
206/1.8
5,025,817 A * 6/1991 Wen A45D 33/006
132/294
D353,023 S * 11/1994 Chen D28/79
D353,688 S * 12/1994 Wacker D28/82
5,398,706 A * 3/1995 Epstein A45D 33/006
132/273
D361,594 S * 8/1995 Salis D19/106
D480,179 S * 9/2003 Lai D28/82
D482,497 S * 11/2003 Mansau D28/82
D660,518 S * 5/2012 Chen D28/73
D683,497 S * 5/2013 Ghiotti D9/428
D752,813 S * 3/2016 Villarreal D28/84
2004/0031723 A1 * 2/2004 Jean-Louis A45D 40/00
206/581
2018/0206613 A1 * 7/2018 Sidorova A45D 40/262

* cited by examiner

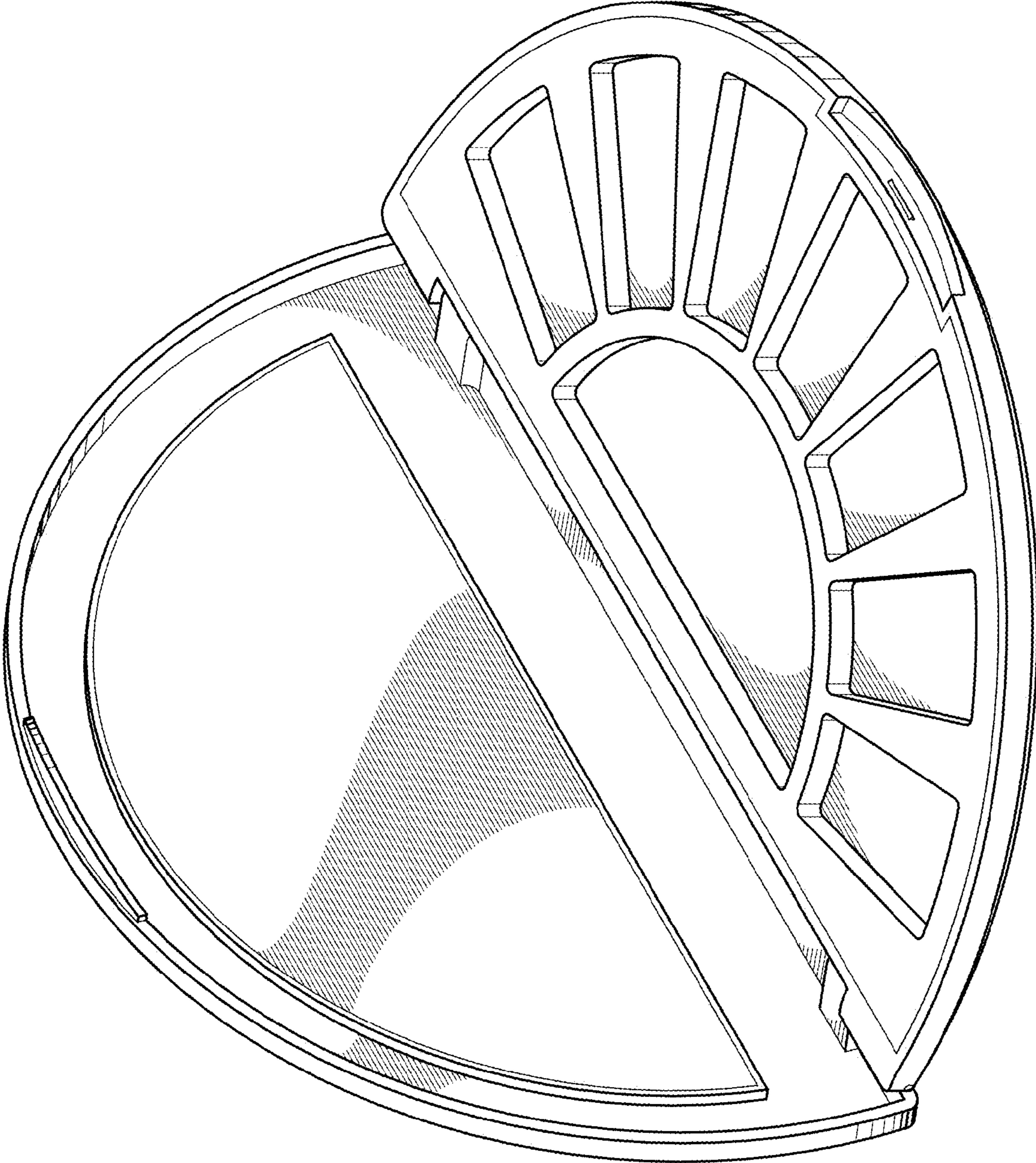


FIG. 1

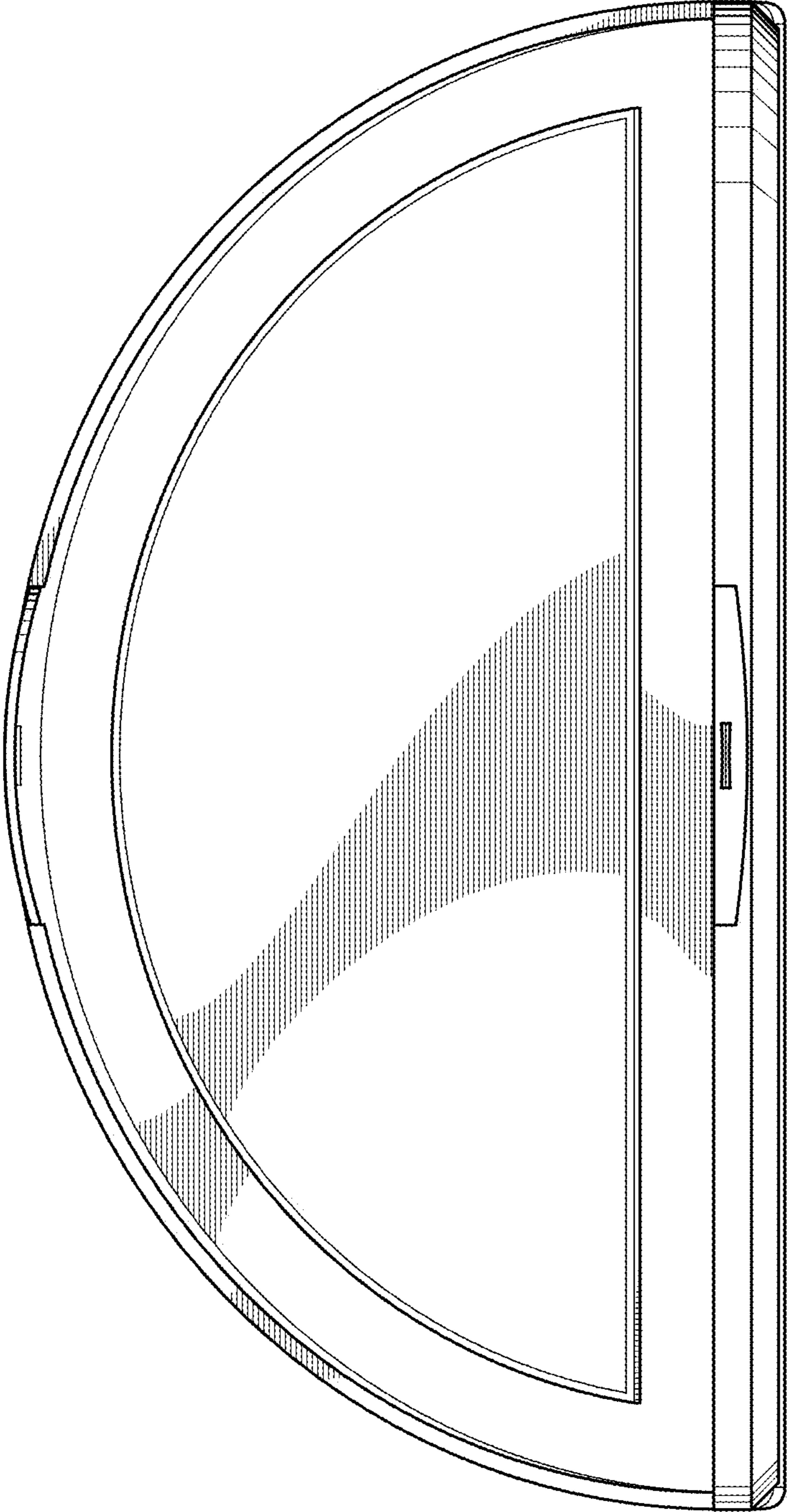


FIG. 2

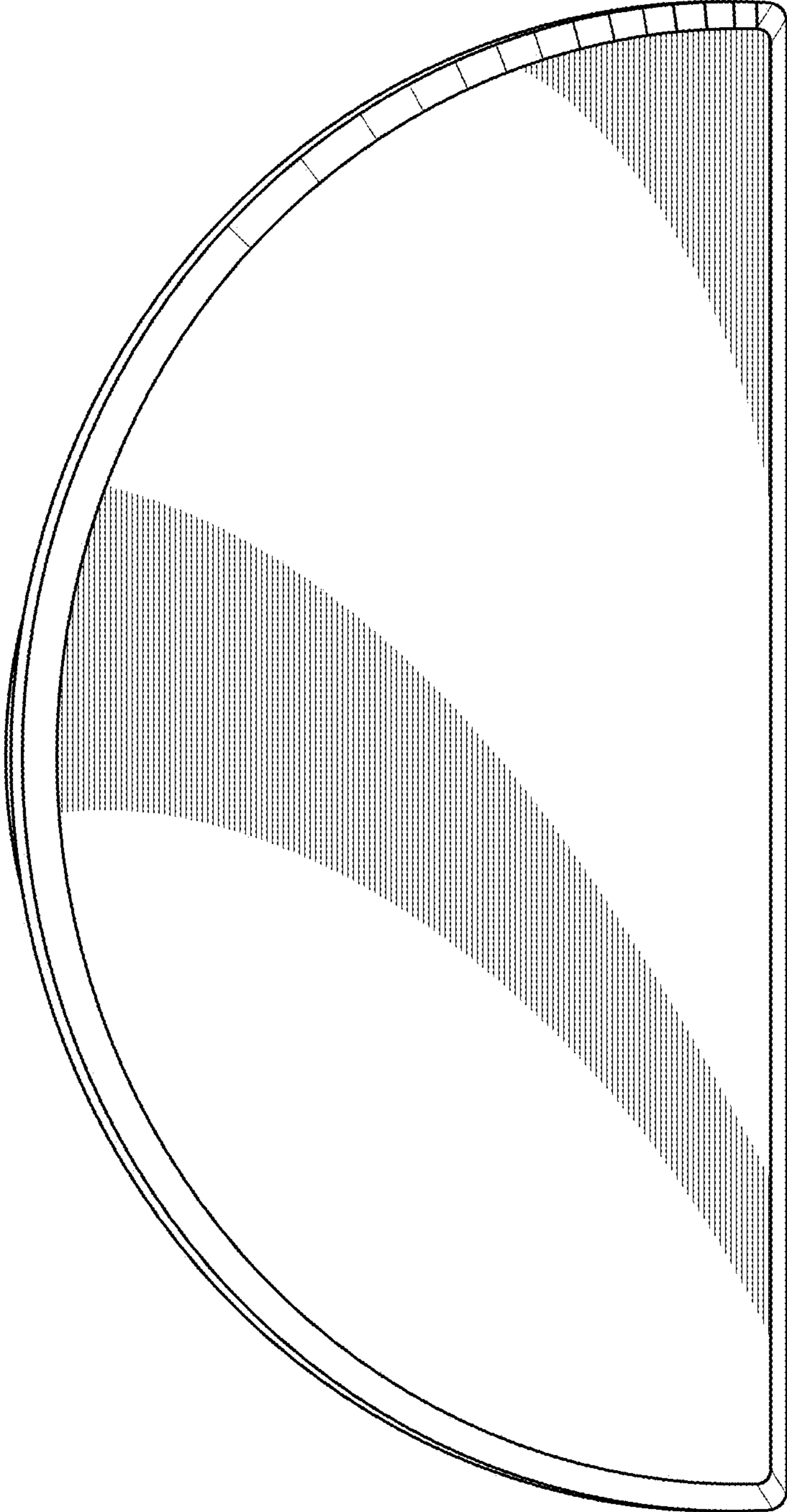


FIG. 3

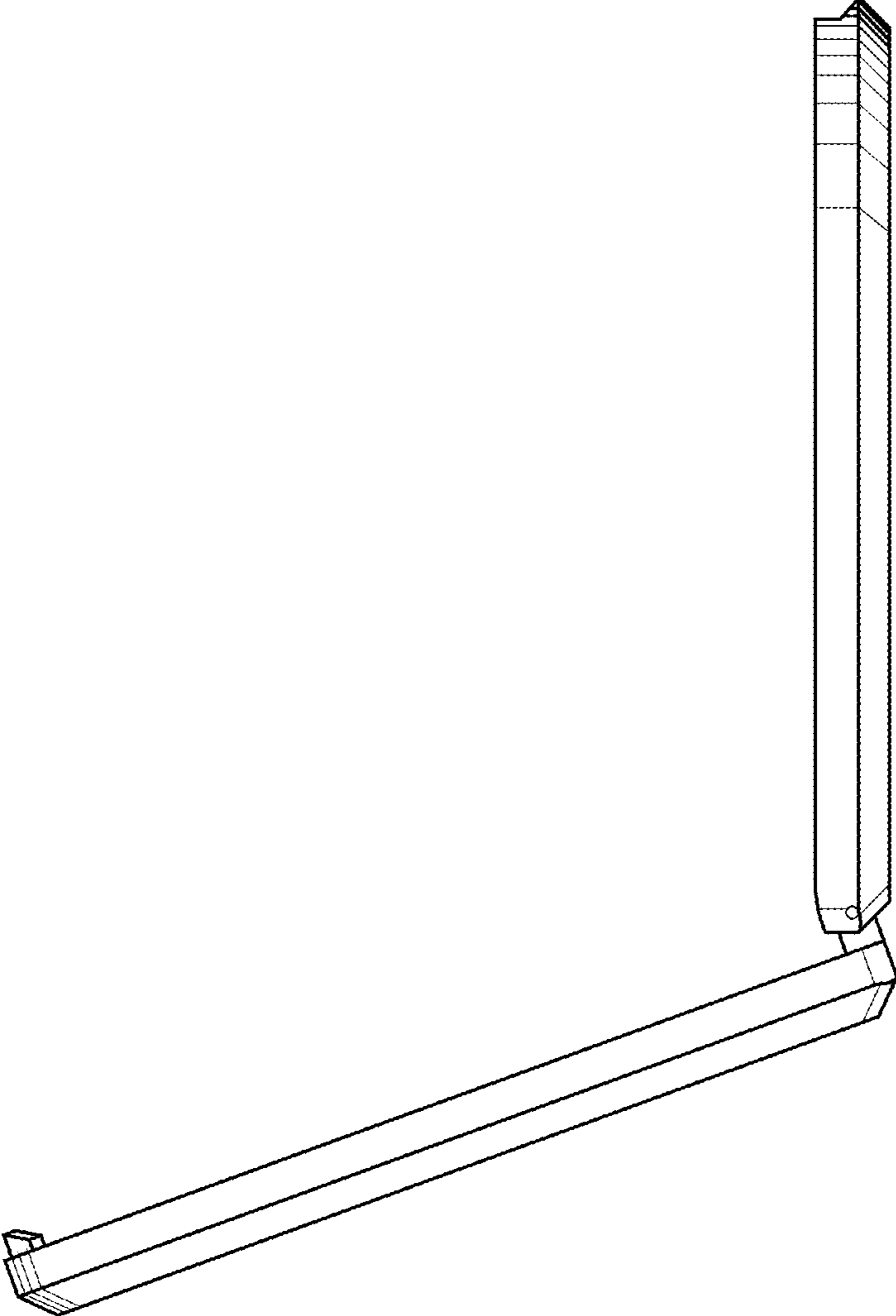


FIG. 4

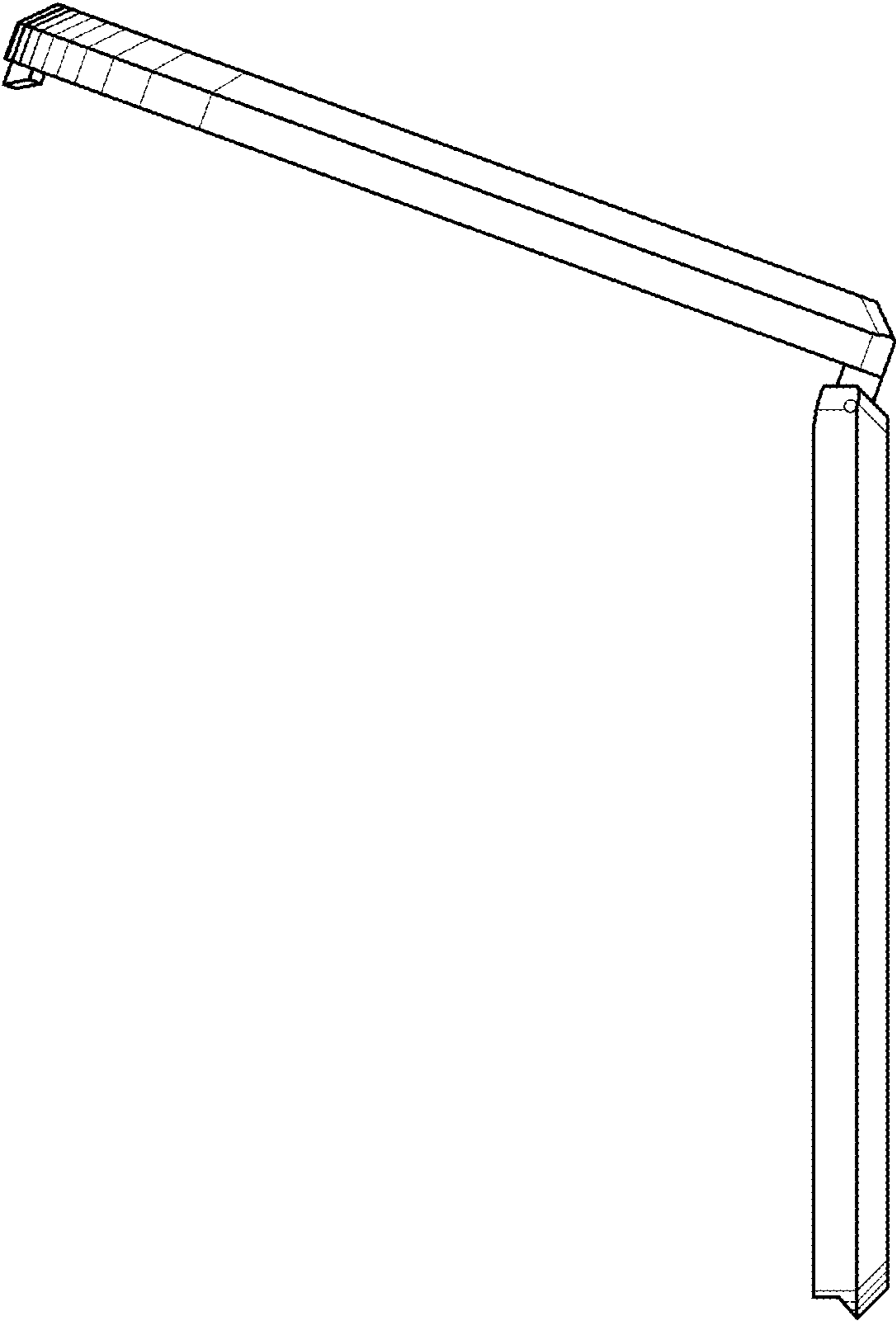


FIG. 5

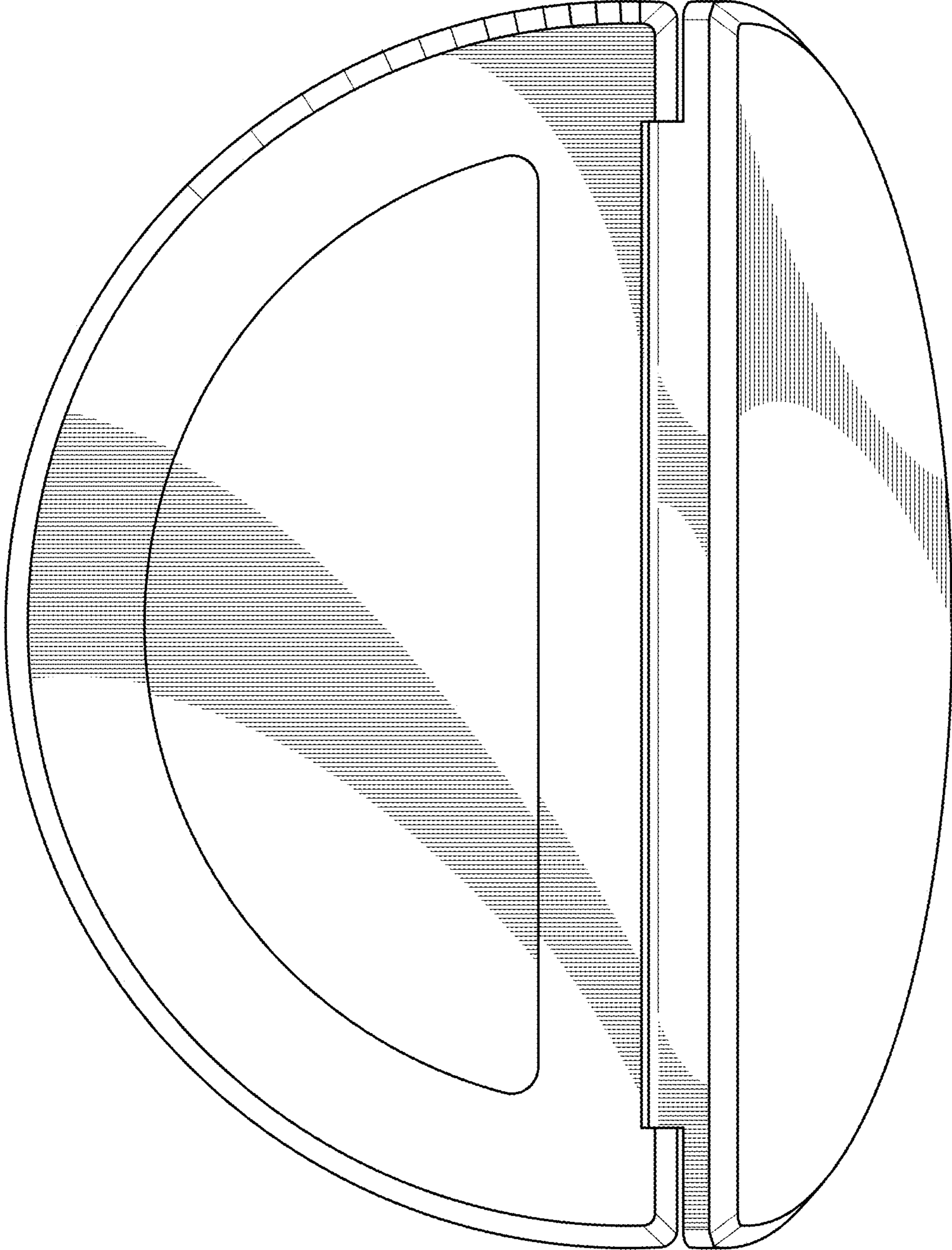


FIG. 6

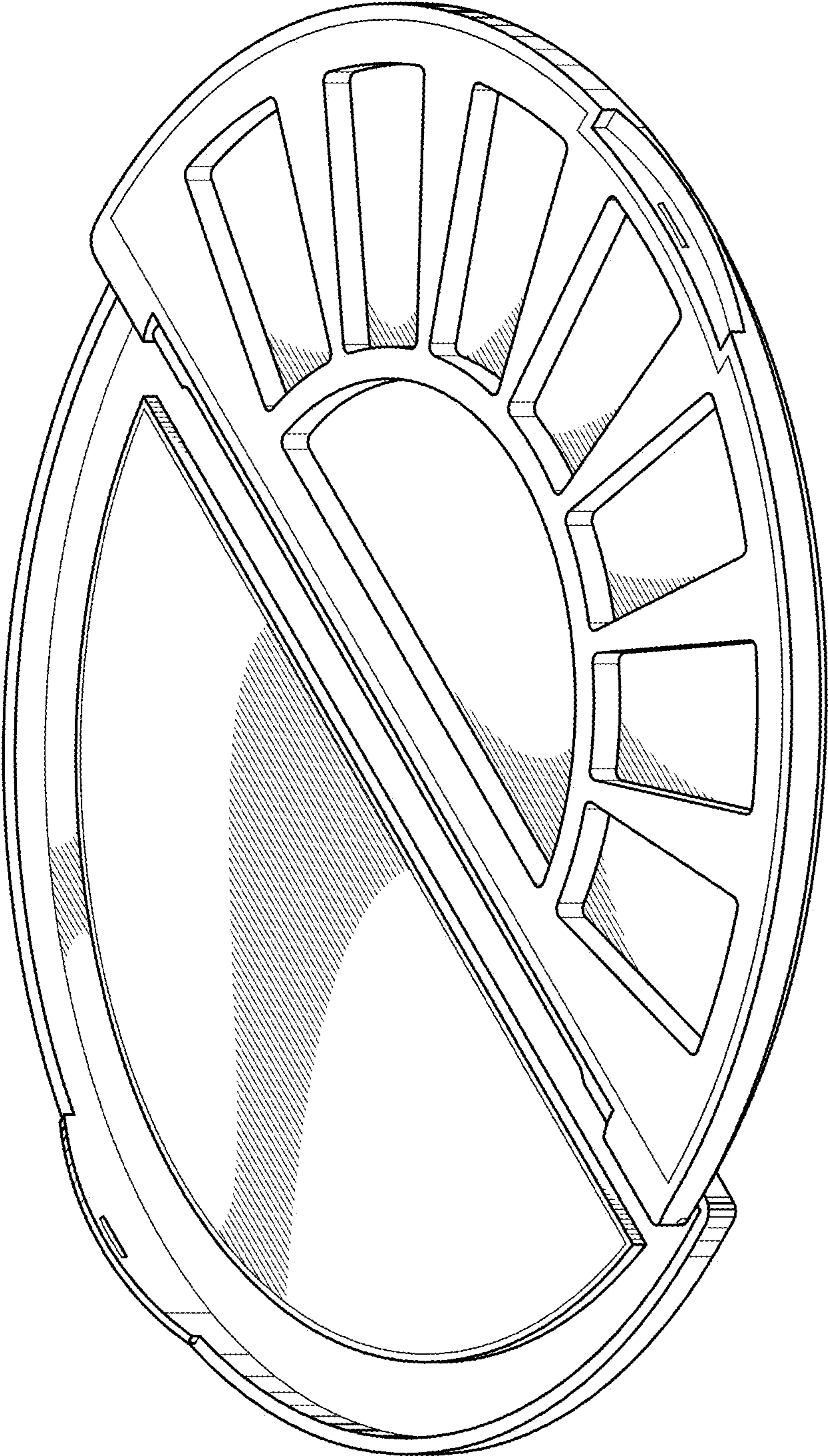


FIG. 7

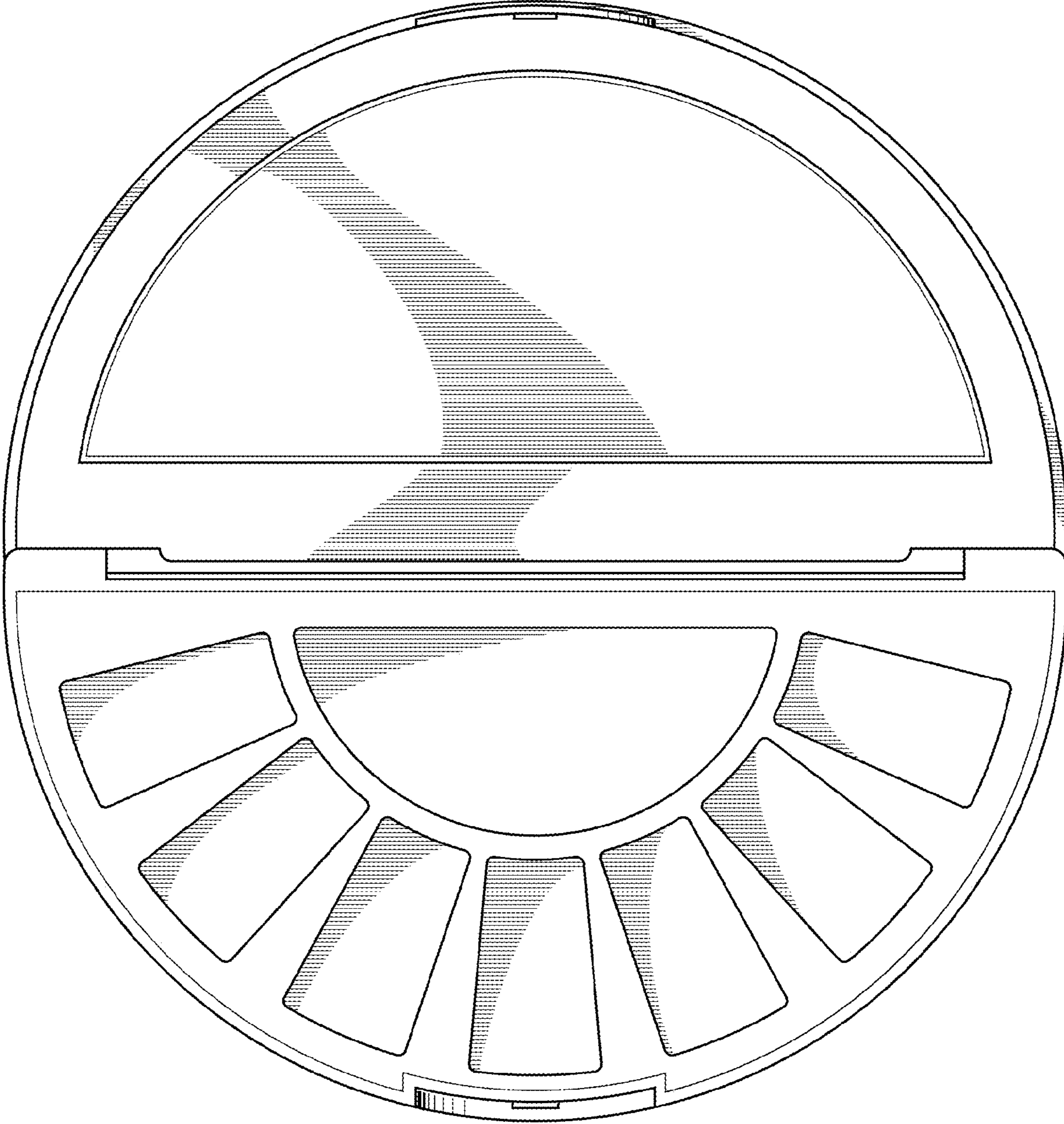


FIG. 8

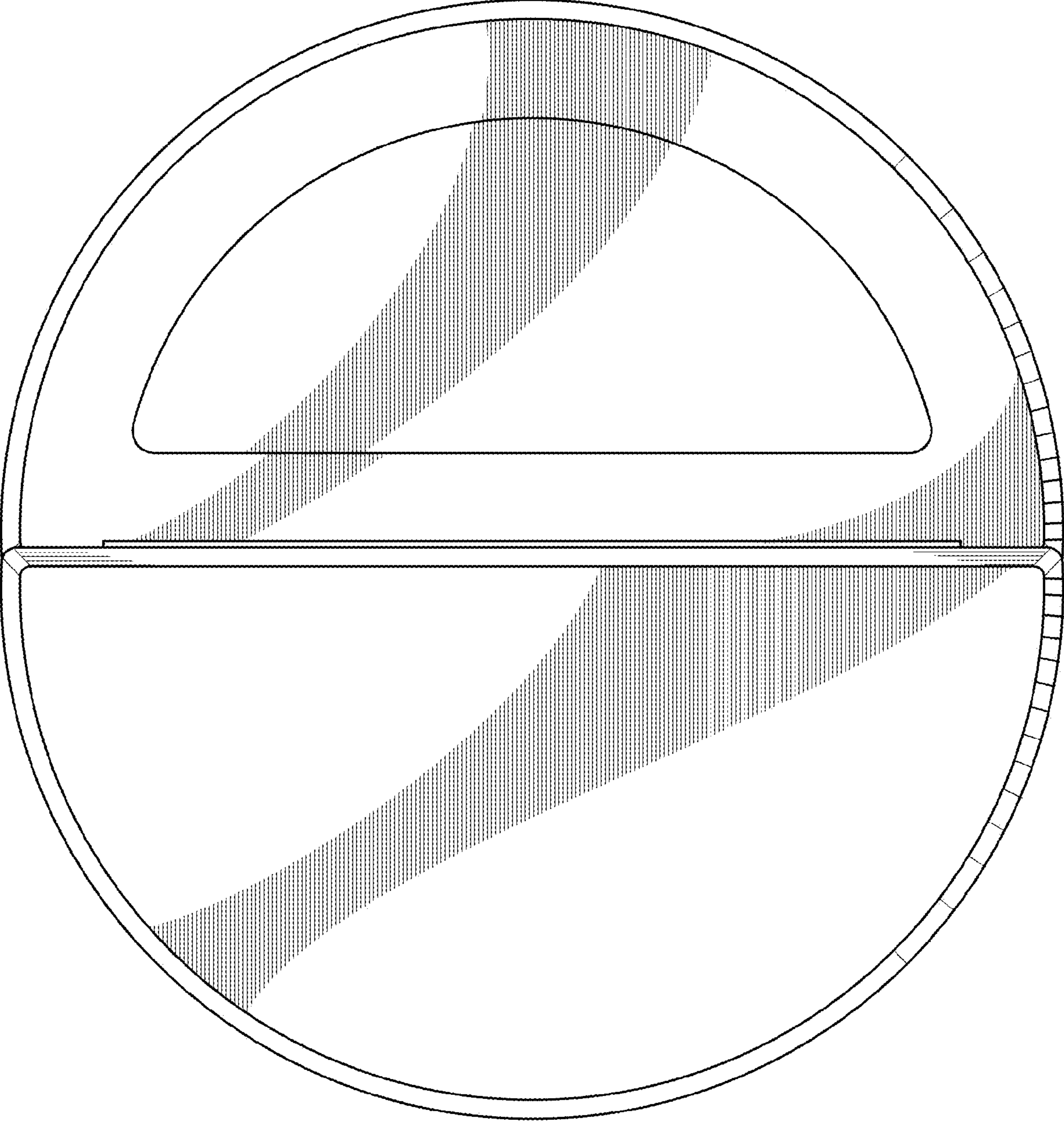


FIG. 9

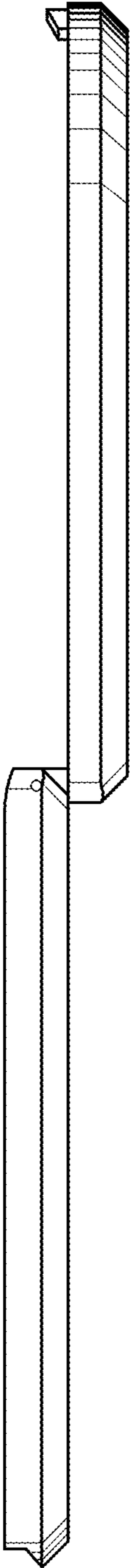


FIG. 10

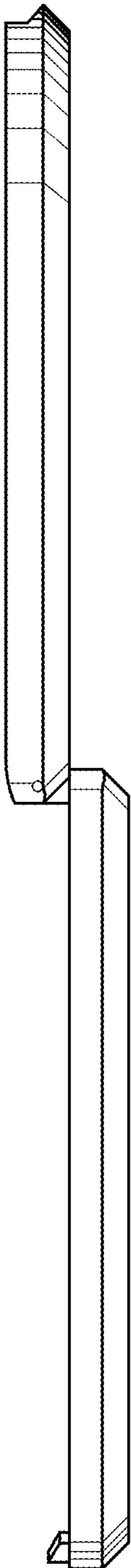


FIG. 11

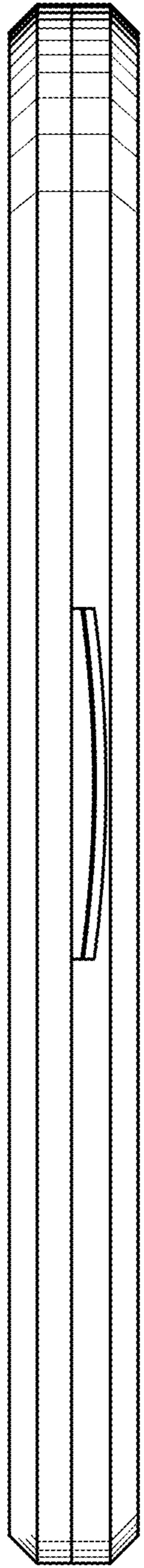


FIG. 12

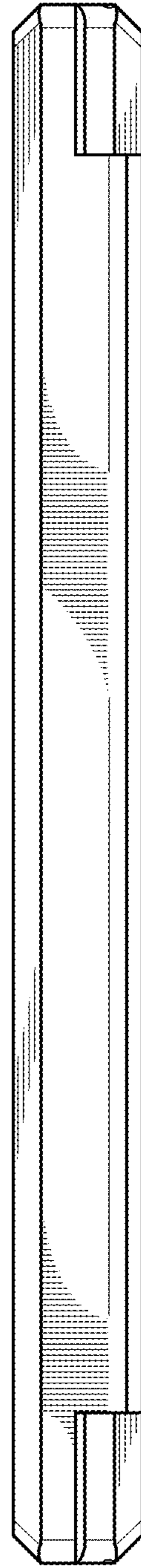


FIG. 13

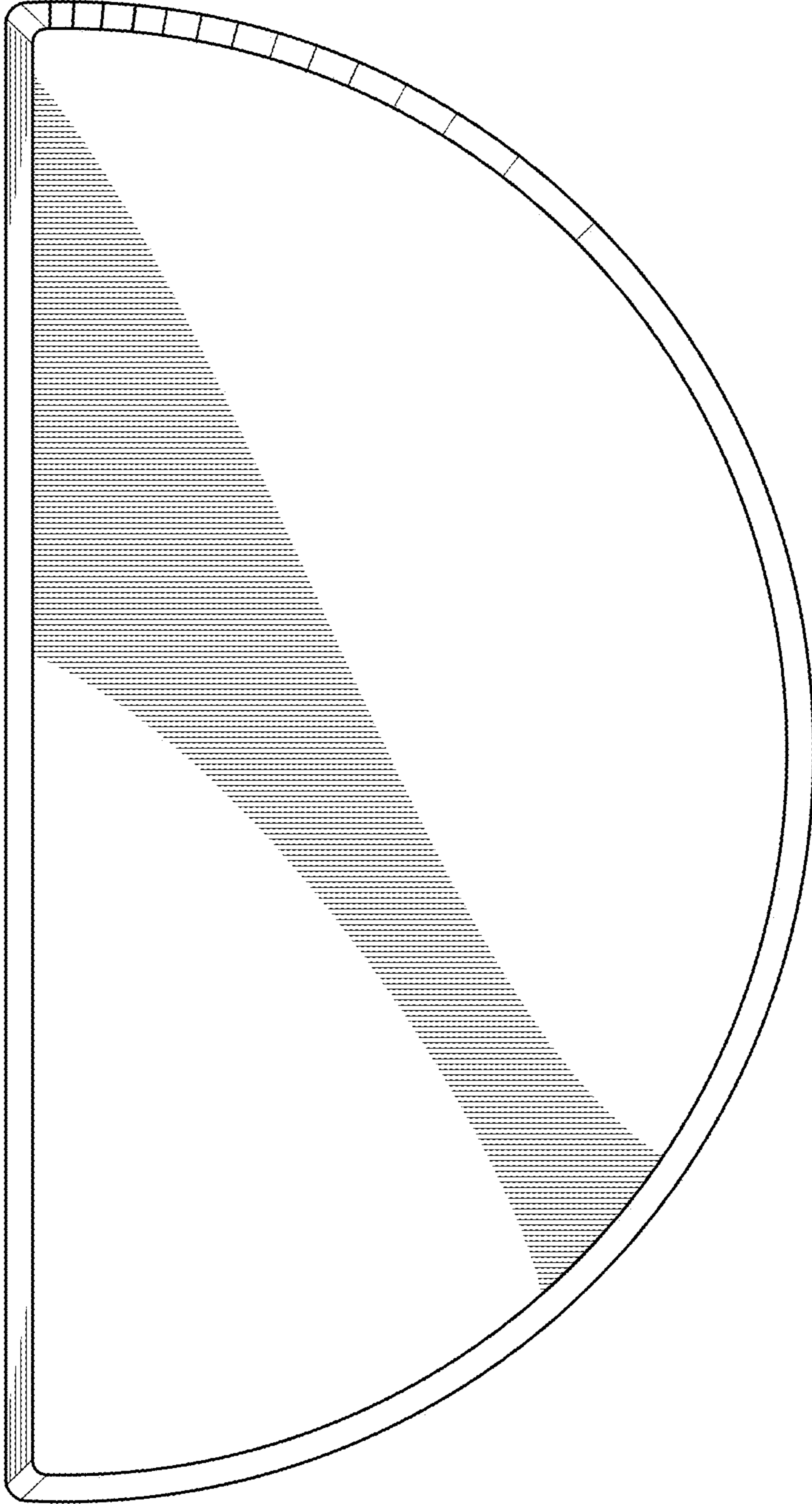


FIG. 14

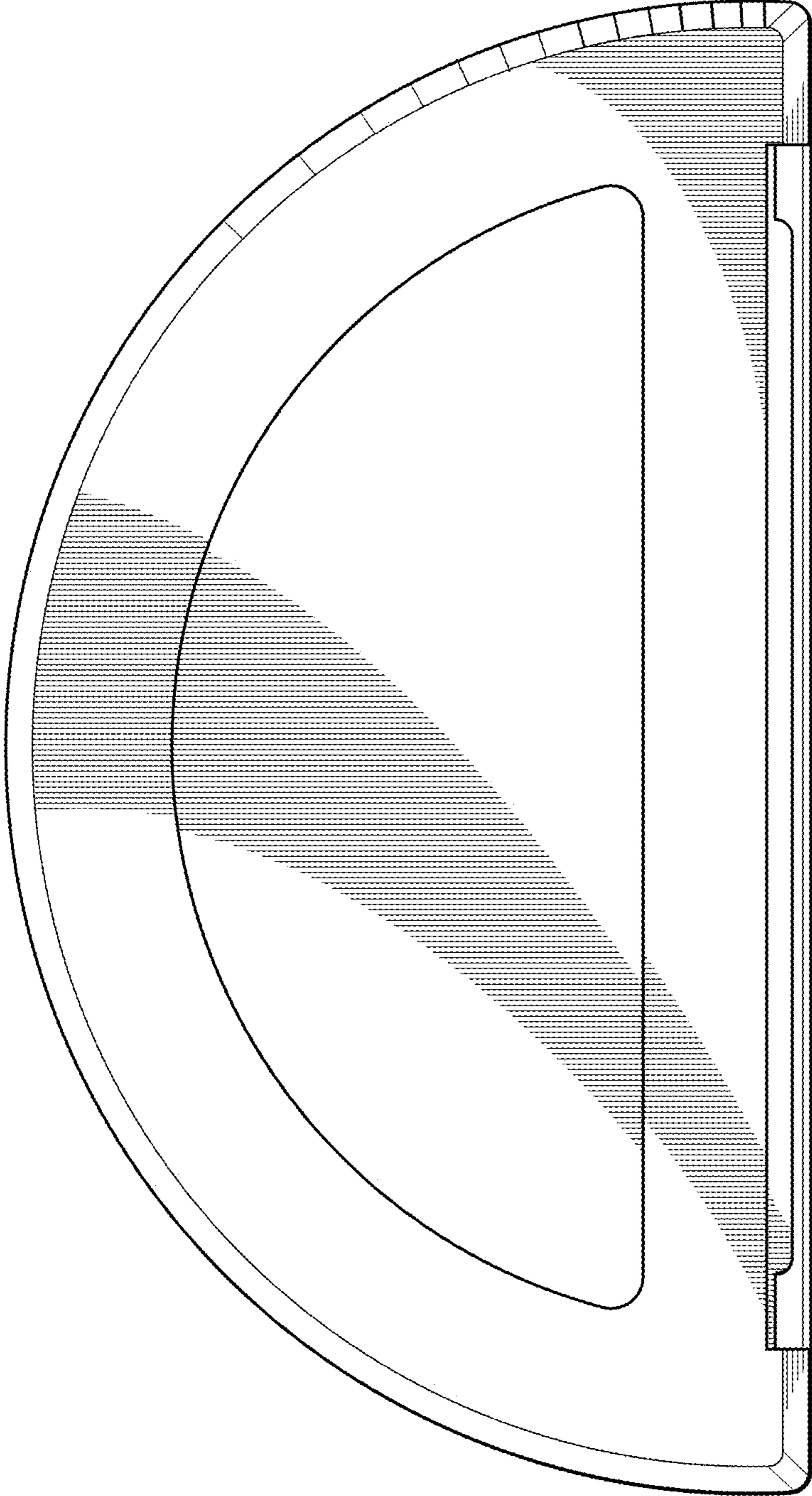


FIG. 15

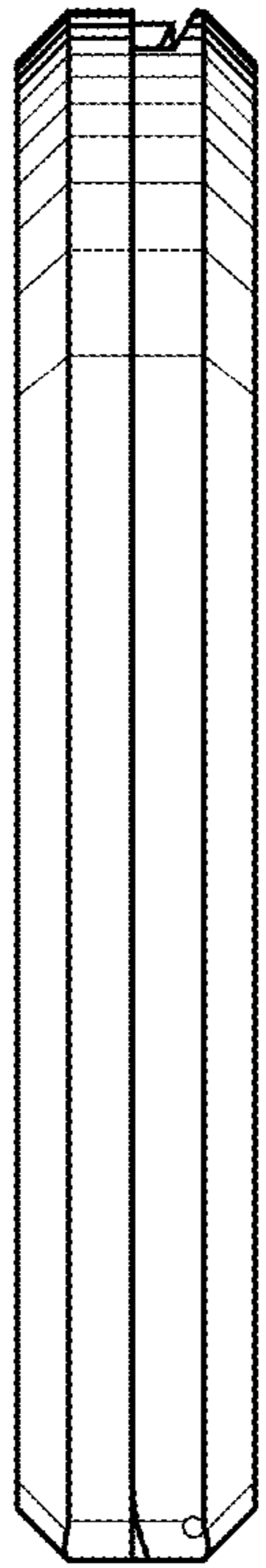


FIG. 16

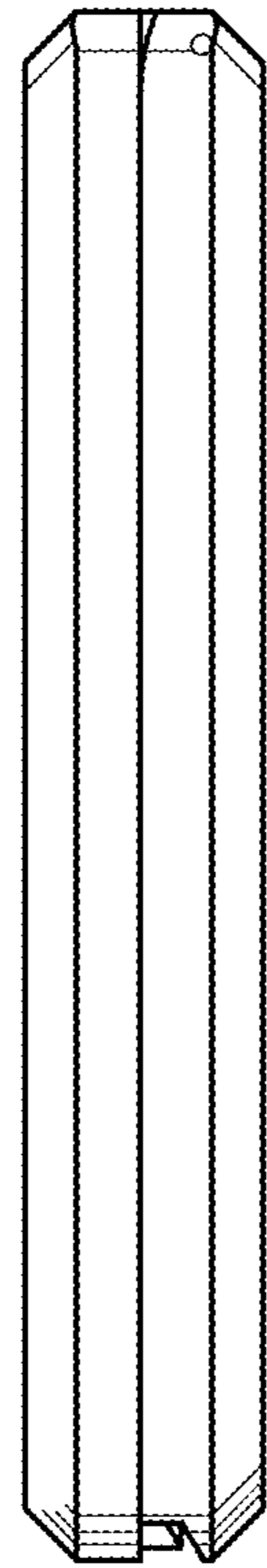


FIG. 17