



US00D911616S

(12) **United States Design Patent** (10) **Patent No.:** **US D911,616 S**
Xiao (45) **Date of Patent:** **** Feb. 23, 2021**

- (54) **NAIL ART MACHINE**
 - (71) Applicant: **Shenzhen Danya Technology Co., Ltd., Shenzhen (CN)**
 - (72) Inventor: **Tian-Yu Xiao, Shenzhen (CN)**
 - (73) Assignee: **Shenzhen Danya Technology Co., Ltd., Shenzhen (CN)**
 - (**) Term: **15 Years**
 - (21) Appl. No.: **29/690,601**
 - (22) Filed: **May 9, 2019**
 - (51) **LOC (13) Cl.** **28-03**
 - (52) **U.S. Cl.**
USPC **D28/58**
 - (58) **Field of Classification Search**
USPC D28/12, 13, 45-50, 54.1, 58, 99;
D14/332, 384
CPC B26B 19/14; B26B 19/34; B26B 19/44;
A45D 29/22; A45D 44/02; A45D
2200/205; A45D 29/00; A45D 2029/005;
G21K 5/00; B05D 3/0671; B41F 17/14;
B41F 17/18; B41F 17/36; B41J 3/4073;
B41J 3/407
- See application file for complete search history.

- 9,056,491 B2 * 6/2015 Bitoh B41J 2/2117
- 9,090,092 B2 * 7/2015 Bitoh B41J 3/4073
- D742,591 S * 11/2015 Takiguchi D28/54.1
- 9,386,834 B2 * 7/2016 Bitoh A45D 29/00

FOREIGN PATENT DOCUMENTS

CN 304461419 * 8/2017

OTHER PUBLICATIONS

Anjou Nail Printer [online], [site visited Aug. 21, 2020]. Available from internet, URL: <<https://www.anjounail.com/product-page/anjou-nail-printer-starter-kit>> (Year: 2020).*

Portable 3D Digital Nail Printer [online], [site visited Aug. 21, 2020]. Available from internet, URL: <<https://www.amazon.com/Portable-Digital-Printer-Intelligent-Painting/dp/B07P2VMVRB/>> (Year: 2019).*

* cited by examiner

Primary Examiner — Cynthia Ramirez
Assistant Examiner — Xavier Marti-Santos
 (74) *Attorney, Agent, or Firm* — ScienBiziP, P.C.

(57) **CLAIM**

The ornamental design for a nail art machine, as shown and described.

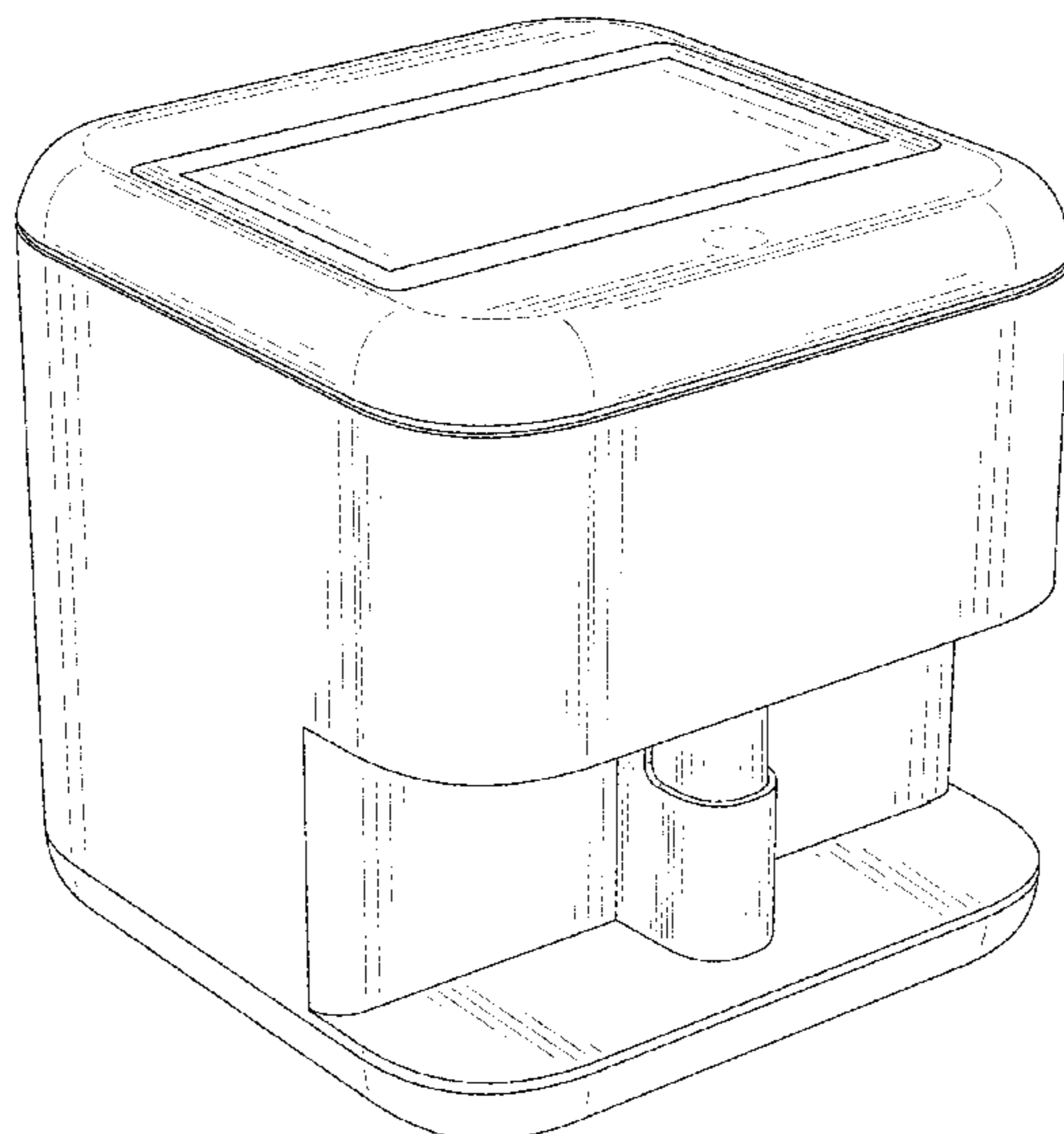
DESCRIPTION

FIG. 1 is a first perspective view of a nail art machine, showing my design.
 FIG. 2 is a second perspective view thereof.
 FIG. 3 is a front elevation view thereof.
 FIG. 4 is a rear elevation view thereof.
 FIG. 5 is a left side elevation view thereof.
 FIG. 6 is a right side elevation view thereof.
 FIG. 7 is a top plan view thereof; and,
 FIG. 8 is a bottom plan view thereof.
 The broken lines in the figures are to show portions of the nail art machine, which form no part of the claimed design.

1 Claim, 8 Drawing Sheets

(56) **References Cited**
U.S. PATENT DOCUMENTS

- 3,864,847 A * 2/1975 Friedman A45D 29/18
34/202
- D518,050 S * 3/2006 Wood D14/384
- D662,259 S * 6/2012 Vu D28/58
- D664,299 S * 7/2012 Ishida D28/54.1
- D686,369 S * 7/2013 Horvath D28/58
- D701,508 S * 3/2014 Bauermeister D14/384
- D705,488 S * 5/2014 Cheng D28/58
- D715,494 S * 10/2014 Kim D28/58
- 8,926,085 B2 * 1/2015 Bitoh B41J 3/407
347/104



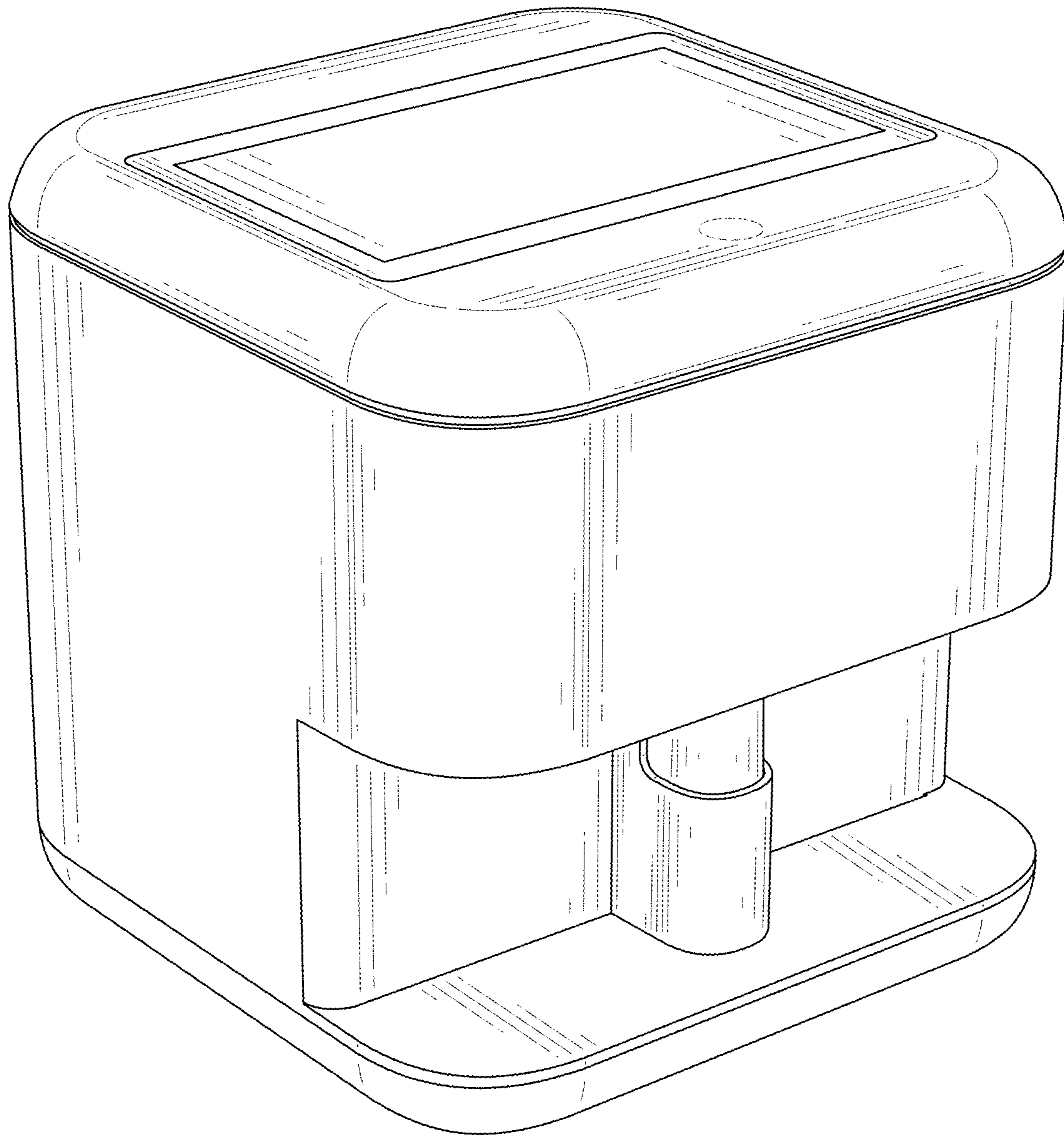


FIG. 1

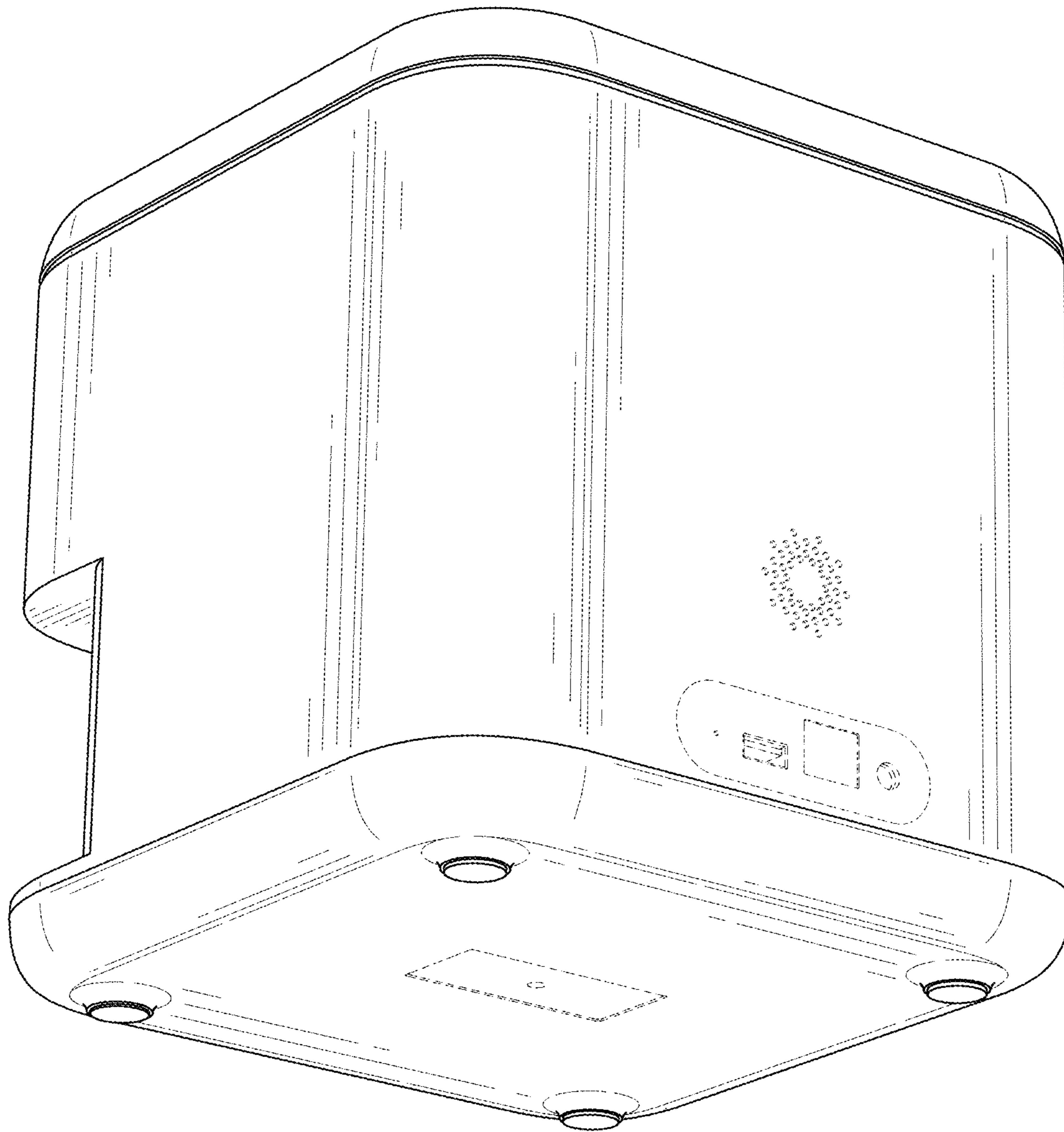


FIG. 2

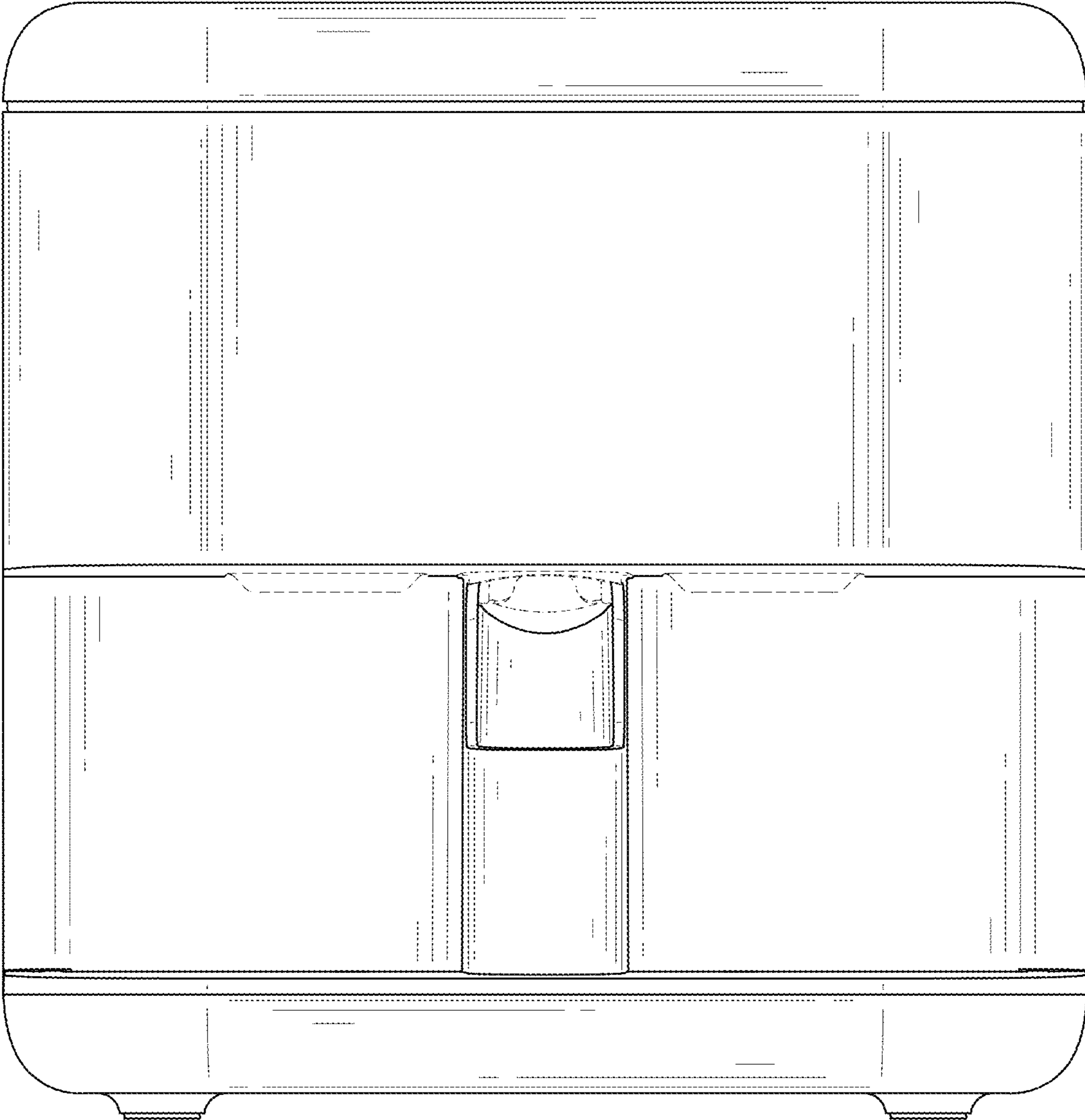


FIG. 3

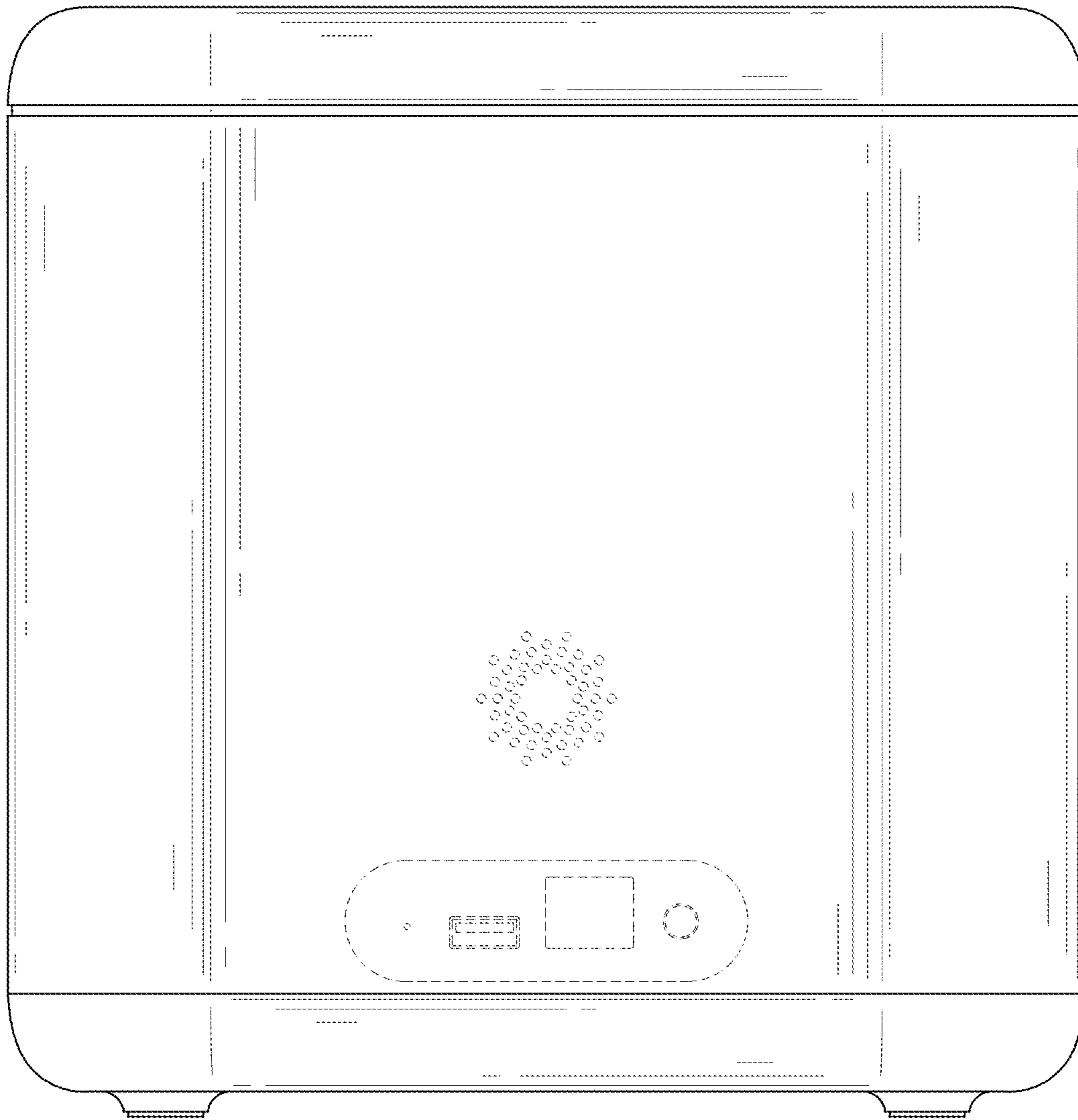


FIG. 4

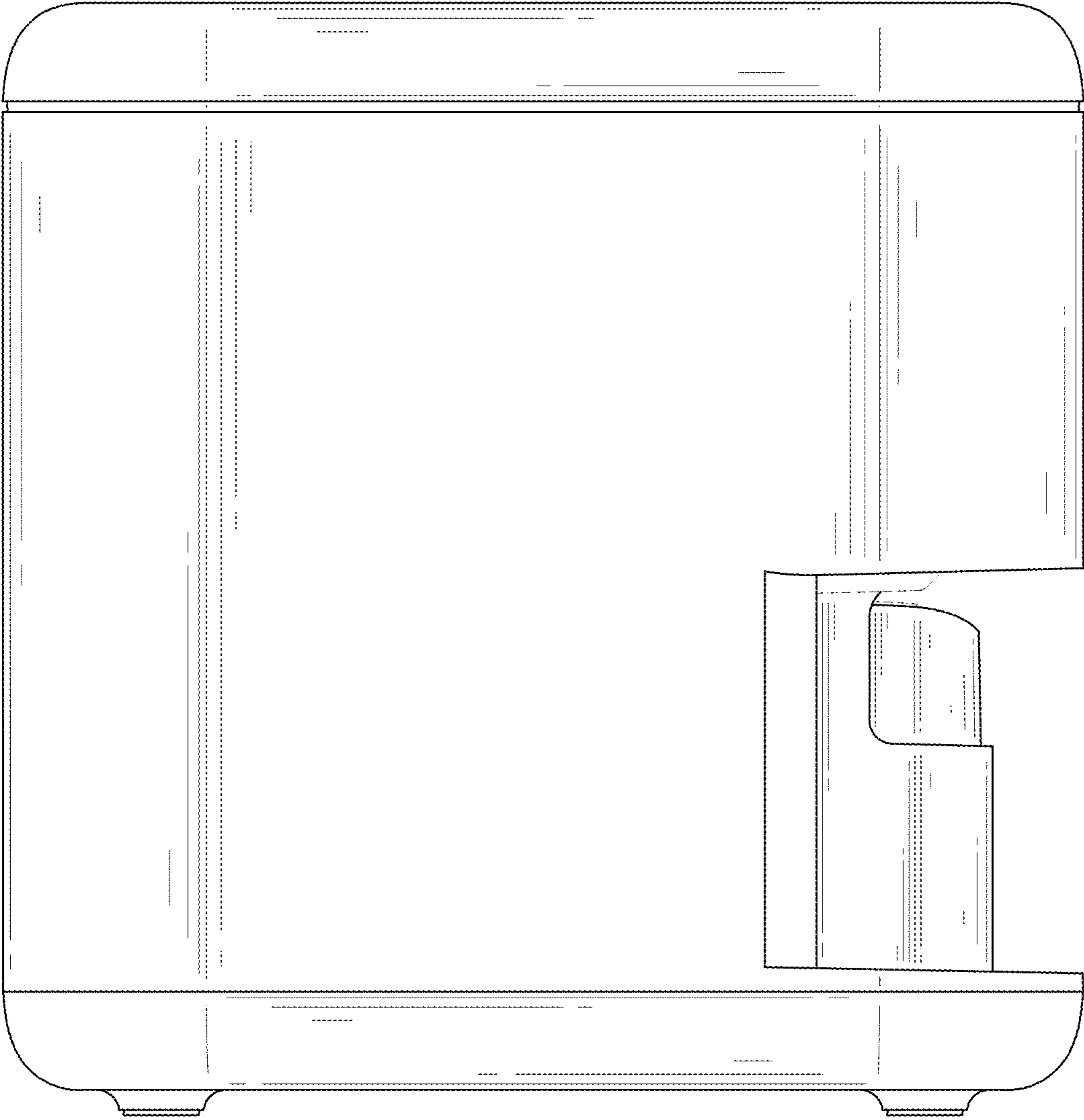


FIG. 5

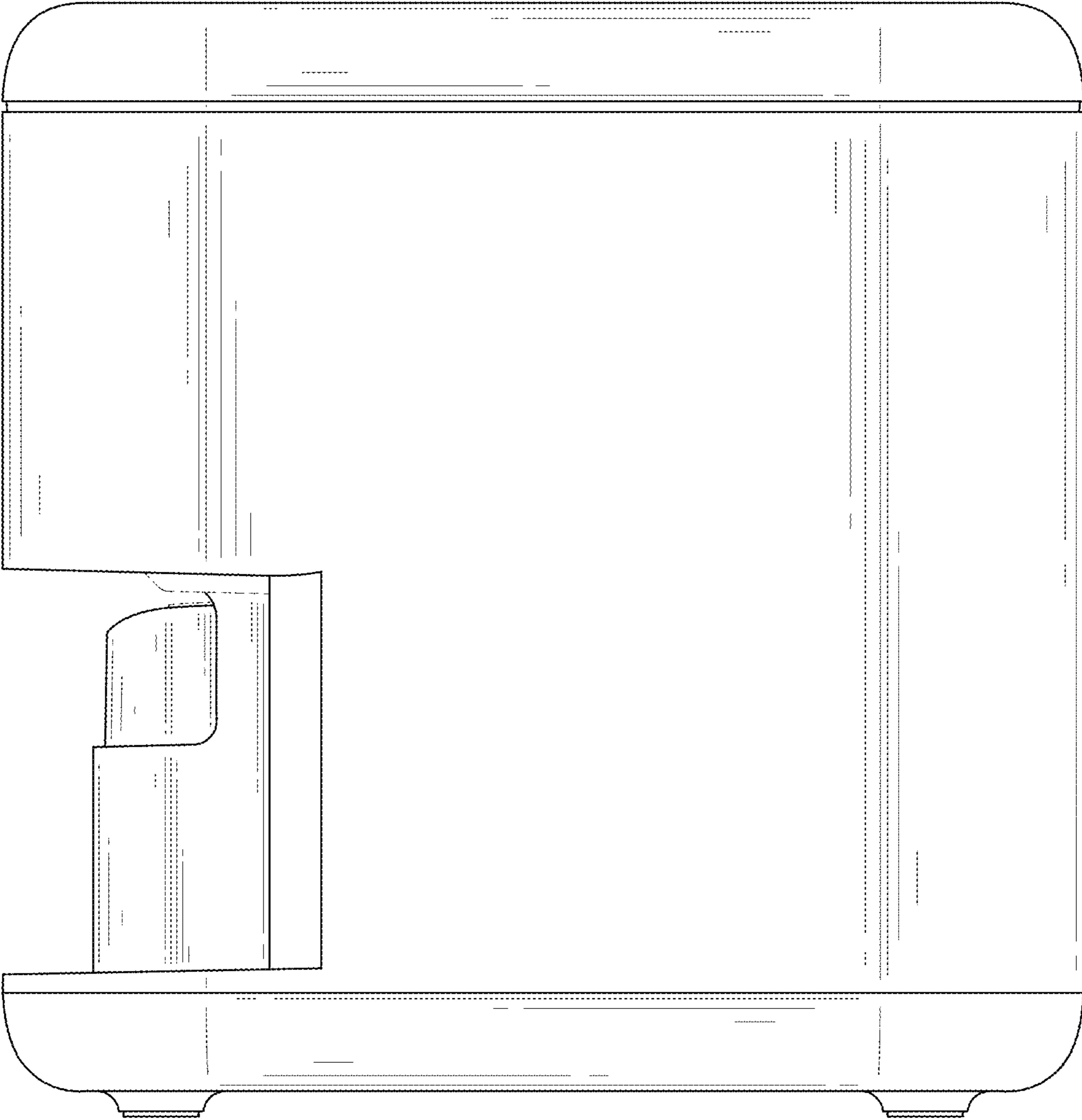


FIG. 6

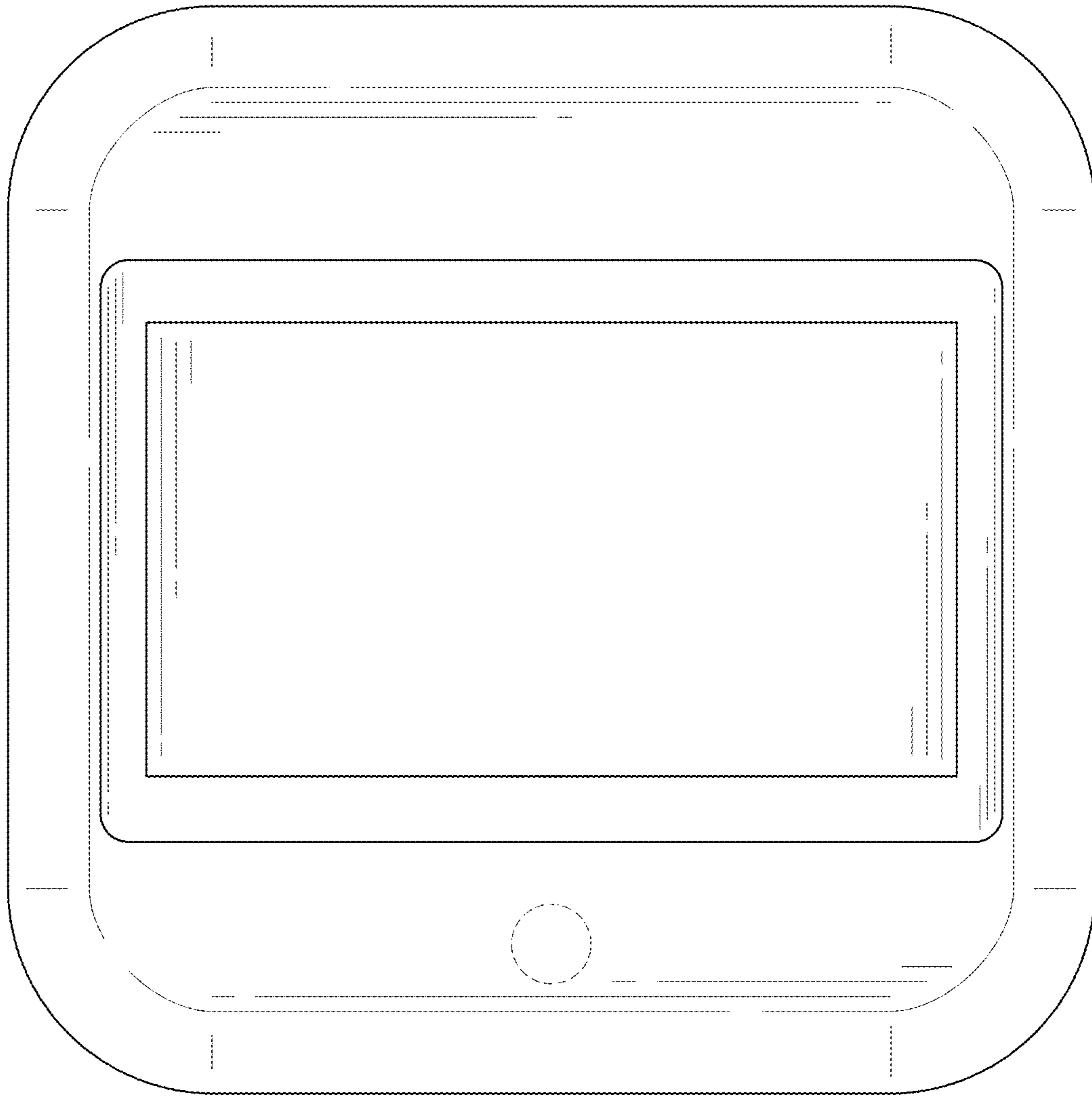


FIG. 7

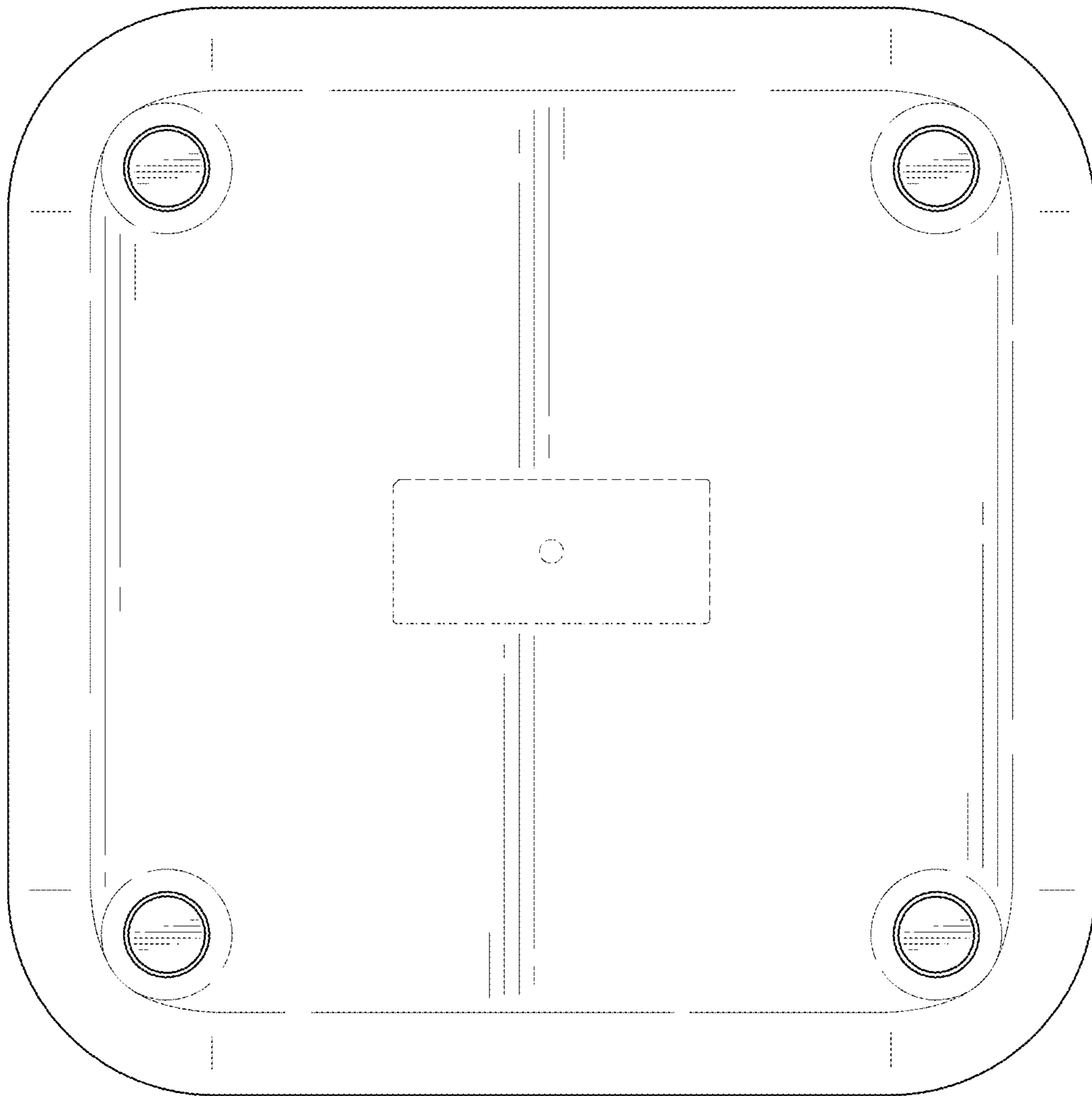


FIG. 8