



US00D911612S

(12) **United States Design Patent**
Jiang

(10) **Patent No.:** **US D911,612 S**

(45) **Date of Patent:** **** Feb. 23, 2021**

(54) **ELECTRIC HAIR CLIPPER**

(71) Applicant: **NINGBO ICLIPPER ELECTRIC APPLIANCE CO., LTD.**, Ningbo (CN)

(72) Inventor: **Qi Jiang**, Ningbo (CN)

(**) Term: **15 Years**

(21) Appl. No.: **29/707,522**

(22) Filed: **Sep. 29, 2019**

(51) **LOC (13) Cl.** **28-03**

(52) **U.S. Cl.**
USPC **D28/53**

(58) **Field of Classification Search**
USPC D28/49–54
CPC B26B 19/00–08; B26B 19/10–12; B26B 19/20–24; B26B 19/26–265; B26B 19/38–3826; B26B 19/3873–3893; B26B 19/42

See application file for complete search history.

(56) **References Cited**

U.S. PATENT DOCUMENTS

D435,936 S *	1/2001	Long	D28/54
D497,452 S *	10/2004	Nielsen	D28/53
D500,392 S *	12/2004	Buck, Jr.	D28/54
D534,689 S *	1/2007	Gross	D28/53
D571,504 S *	6/2008	Long	D28/54
D597,254 S *	7/2009	Eddinger	D28/54
D715,489 S *	10/2014	Aulwes	D28/54
D715,490 S *	10/2014	Aulwes	D28/54
9,038,276 B2 *	5/2015	Arndt	B26B 19/06 30/208
D758,665 S *	6/2016	Skuhra	D28/54

D790,133 S *	6/2017	Aulwes	D28/54
D815,355 S *	4/2018	Fleming	D28/53
D821,652 S *	6/2018	Skuhra	D28/53
10,059,013 B2 *	8/2018	Skuhra	B26B 19/3853
D844,245 S *	3/2019	Wu	D28/53
D846,192 S *	4/2019	Wu	D28/53
D847,432 S *	4/2019	Aulwes	D28/54
10,518,427 B2 *	12/2019	Skuhra	B26B 19/3853
2003/0051346 A1 *	3/2003	McCambridge	B26B 19/3846 30/122
2013/0200823 A1 *	8/2013	Chan	H02K 33/16 318/3

* cited by examiner

Primary Examiner — Jennifer Rivard

(74) *Attorney, Agent, or Firm* — W&K IP

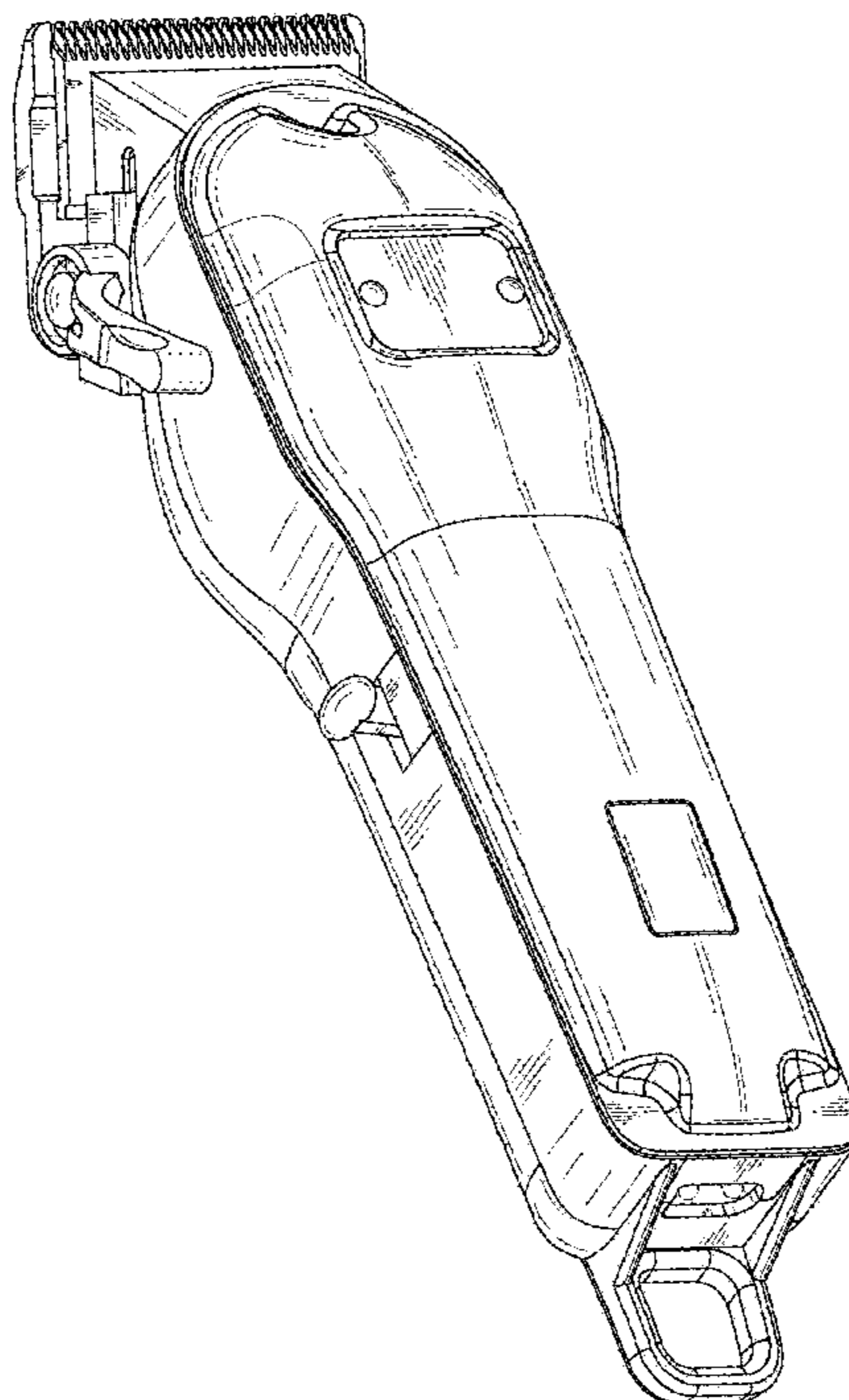
(57) **CLAIM**

The ornamental design for an electric hair clipper, as shown and described.

DESCRIPTION

FIG. 1 is a front elevation view of an electric hair clipper showing my design;
FIG. 2 is a back, elevation view thereof;
FIG. 3 is a left side view thereof;
FIG. 4 is a right side view thereof;
FIG. 5 is a top plan view thereof;
FIG. 6 is a bottom plan view thereof;
FIG. 7 is a perspective view thereof; and,
FIG. 8 is another perspective view thereof.
The broken lines illustrate a portion of the electric hair clipper that forms no part of the claimed design.

1 Claim, 7 Drawing Sheets



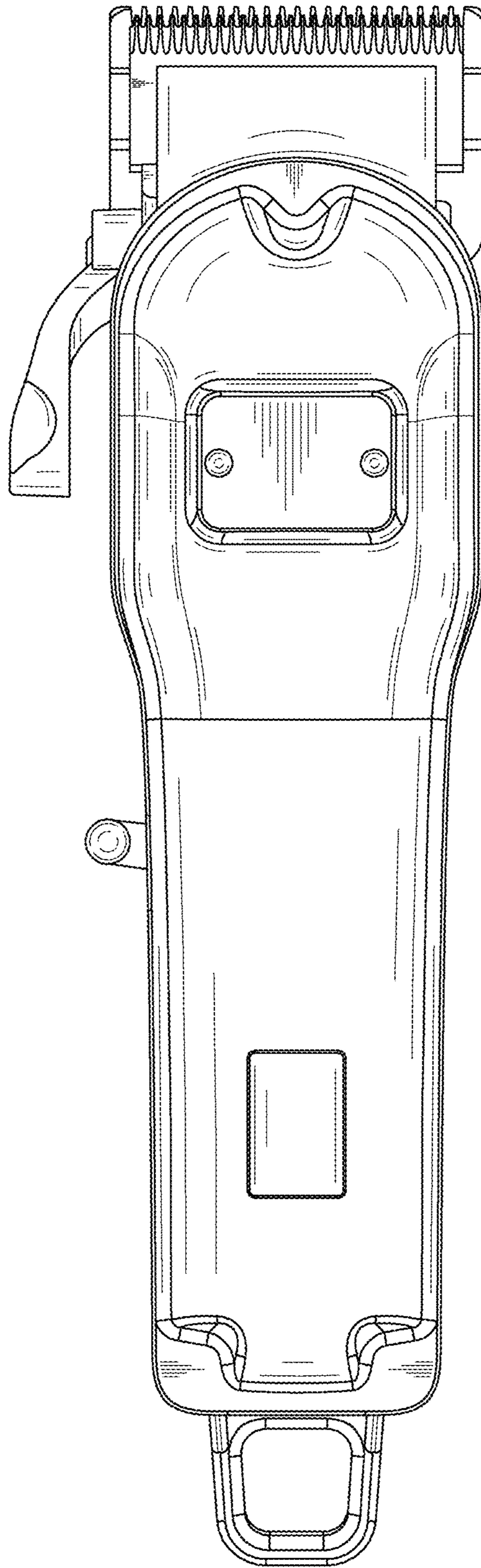


FIG.1

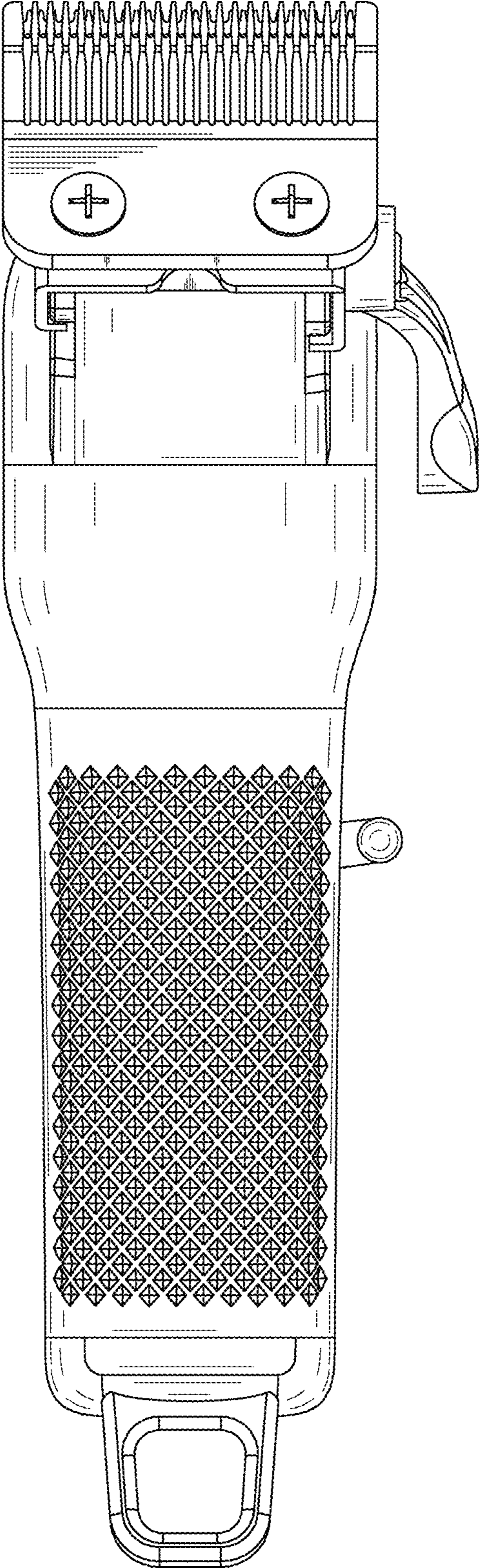


FIG.2

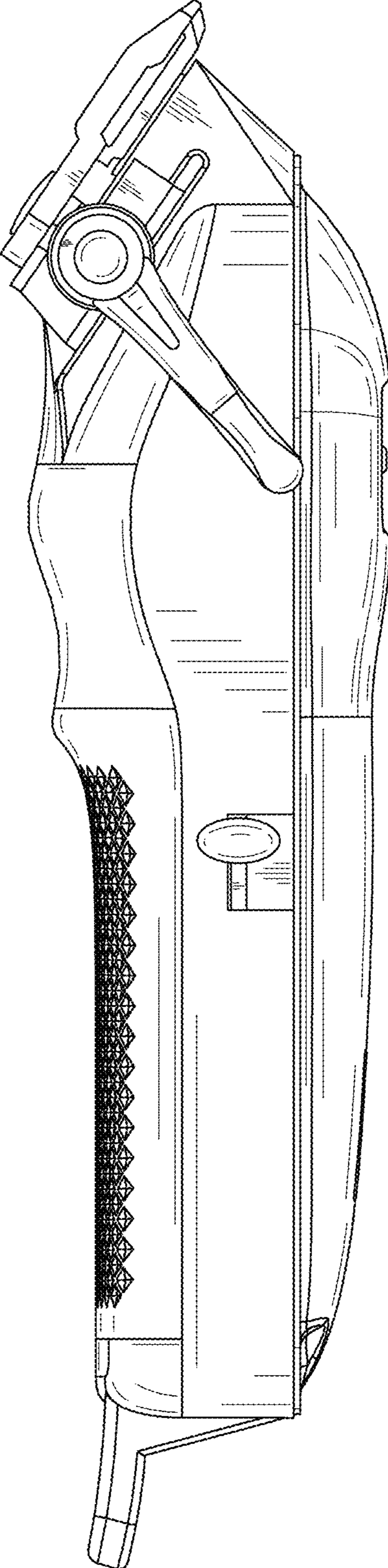


FIG.3

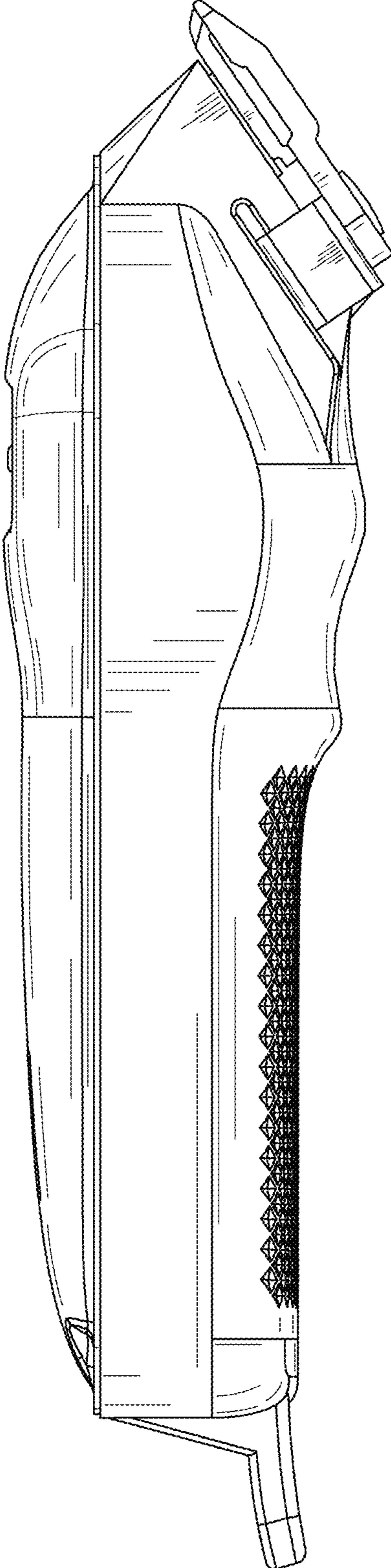


FIG.4

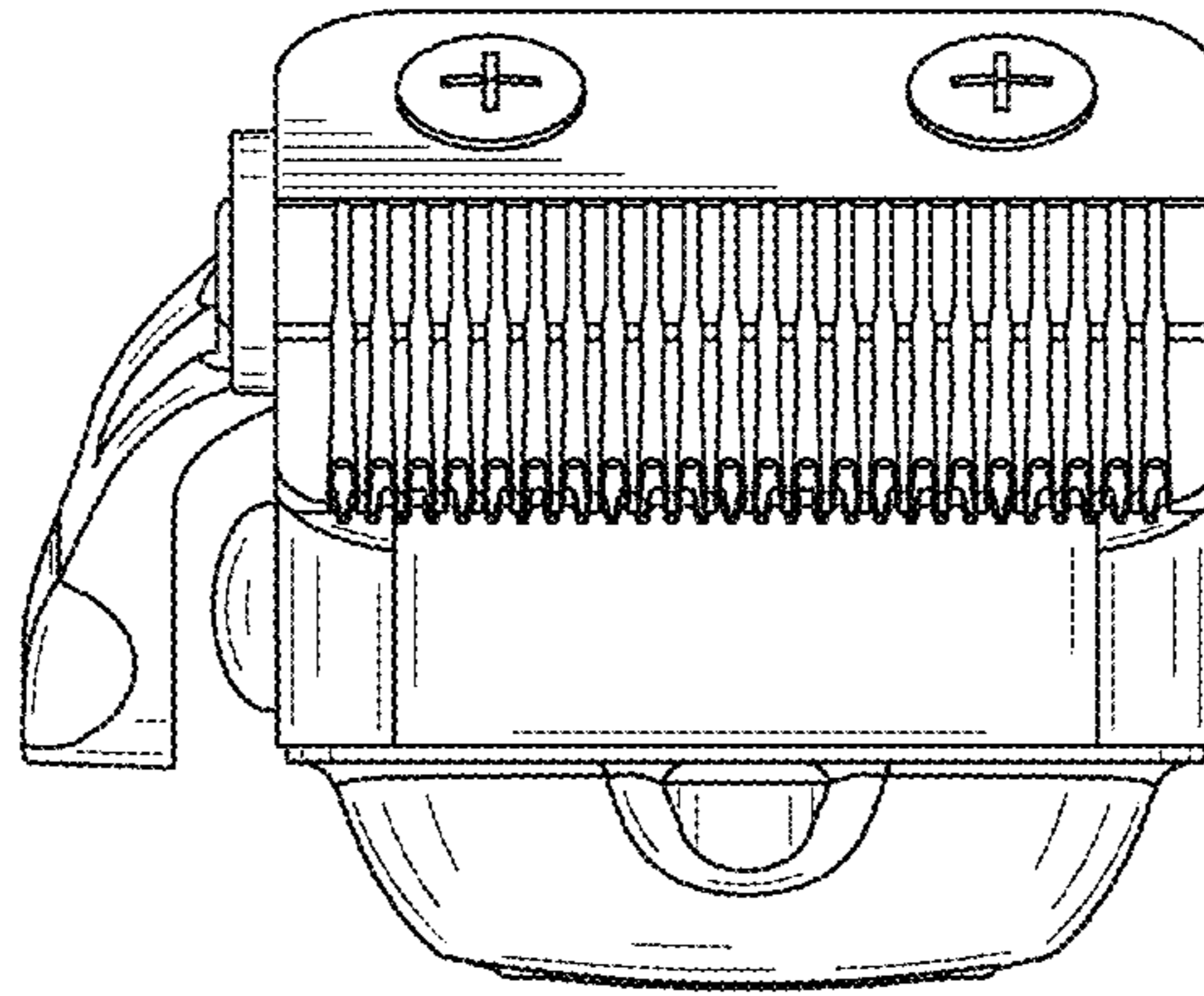


FIG. 5

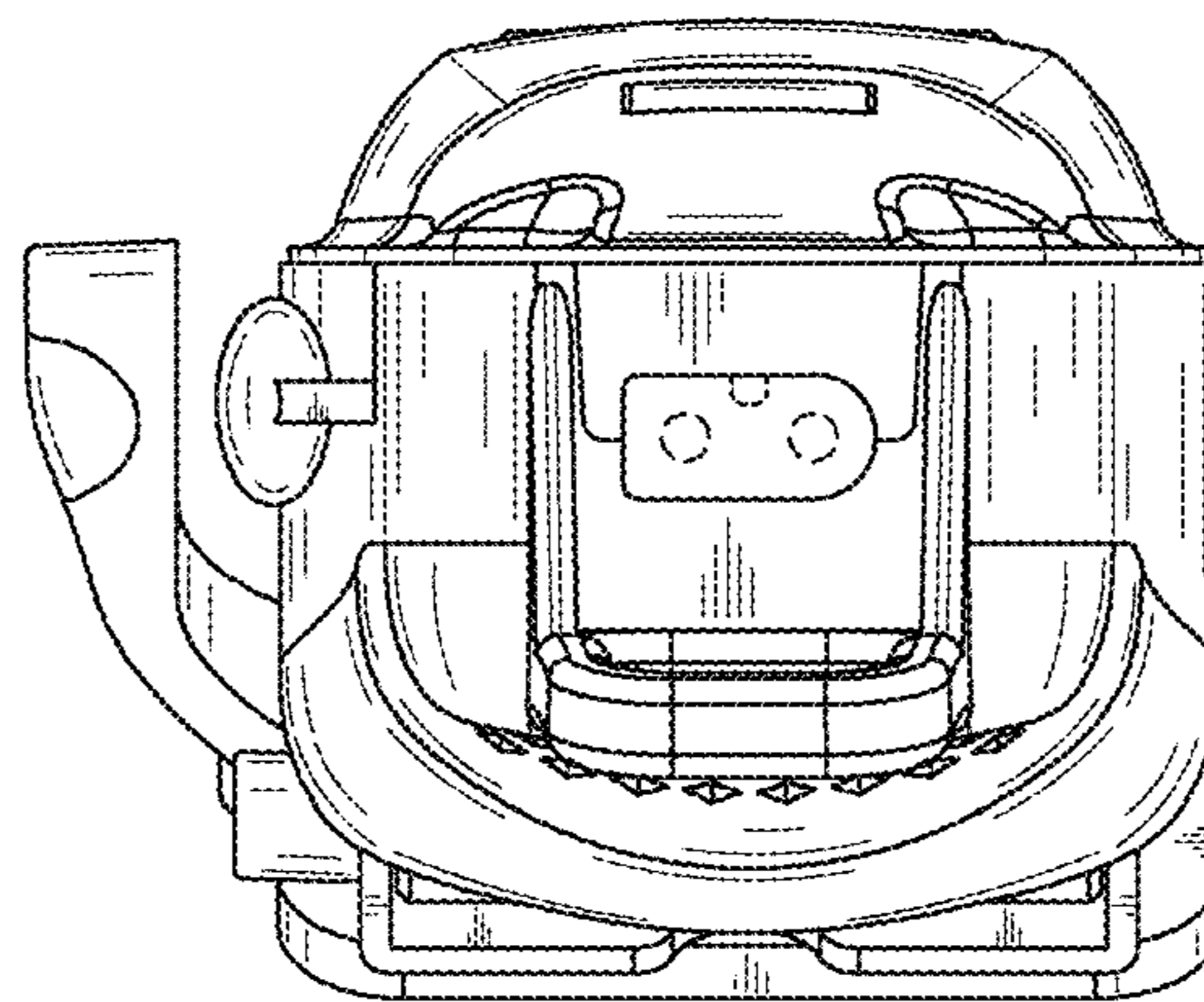


FIG. 6

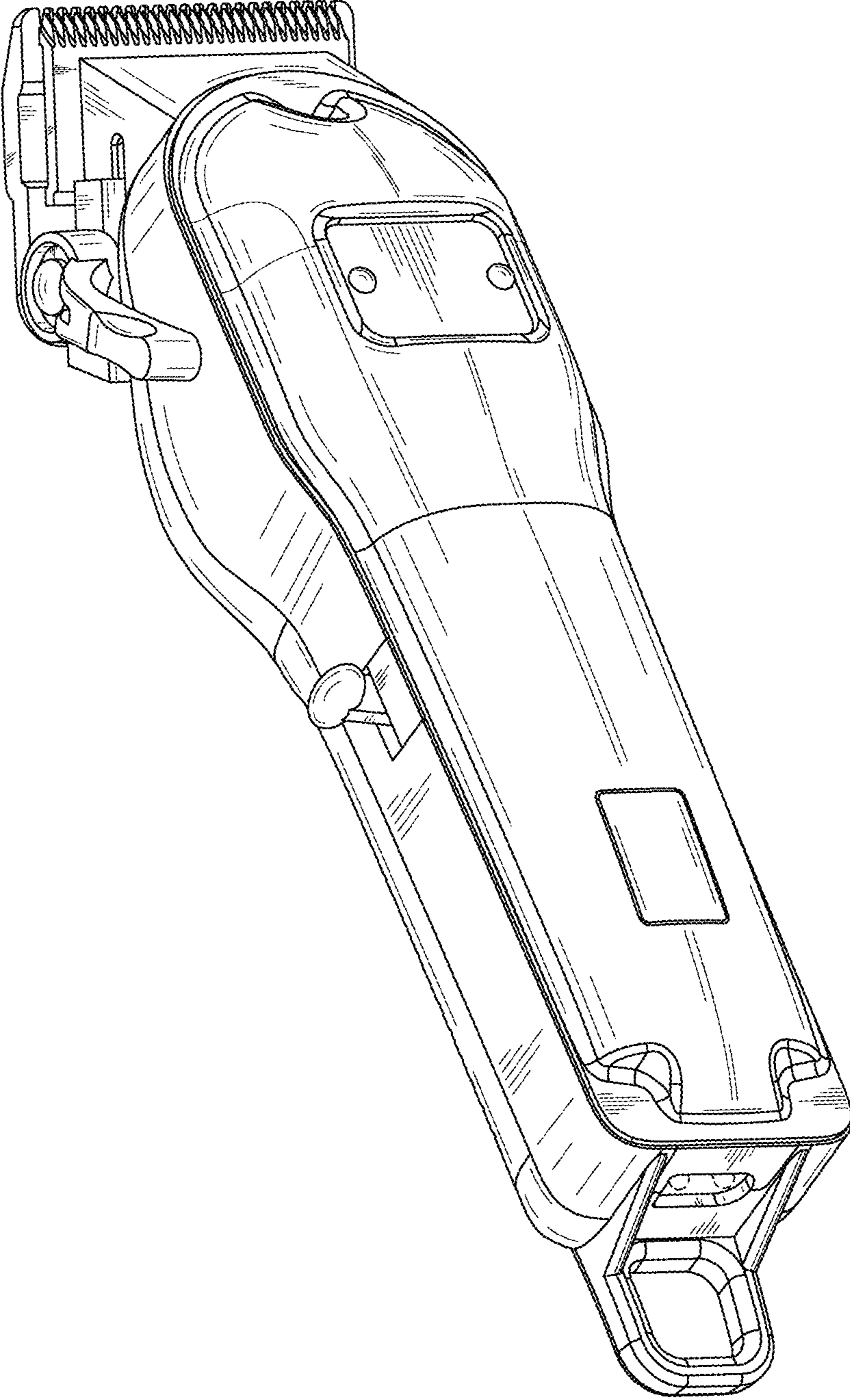


FIG.7

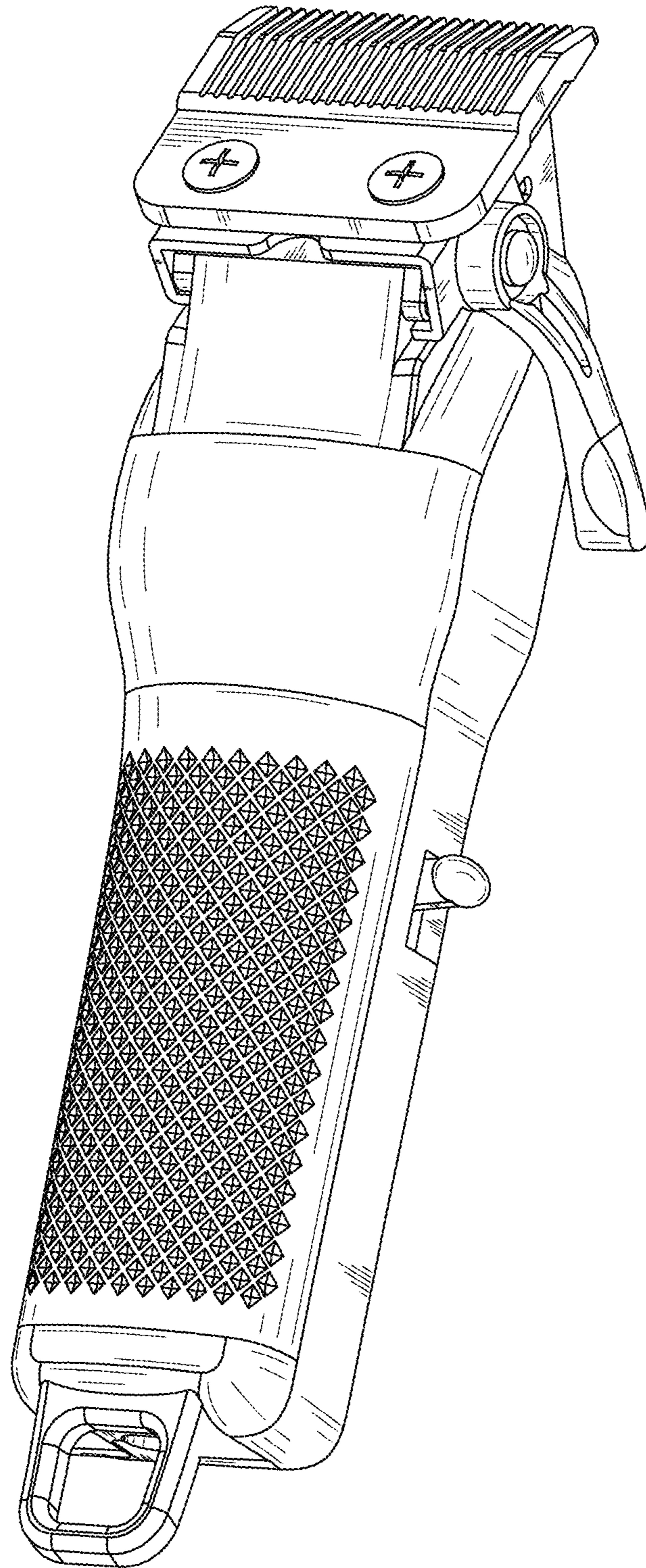


FIG.8