



US00D911610S

(12) **United States Design Patent**  
**Zhang**

(10) **Patent No.:** **US D911,610 S**

(45) **Date of Patent:** **\*\* Feb. 23, 2021**

(54) **SHAVER**

(71) Applicant: **SHENZHEN QINMINGFENG  
INFORMATION TECHNOLOGY  
CO., LTD.**, Shenzhen (CN)

(72) Inventor: **Yinxi Zhang**, Shenzhen (CN)

(73) Assignee: **SHENZHEN QINMINGFENG  
INFORMATION TECHNOLOGY  
CO., LTD.**, Shenzhen (CN)

(\*\*) Term: **15 Years**

(21) Appl. No.: **29/731,090**

(22) Filed: **Apr. 11, 2020**

(51) **LOC (13) Cl.** ..... **28-03**

(52) **U.S. Cl.**  
USPC ..... **D28/50**

(58) **Field of Classification Search**  
USPC ..... D28/49–54, 76, 77, 85  
CPC ..... B26B 19/38; B26B 19/3853–3866; B26B  
19/3873–388; B26B 19/46; B26B  
19/00–107; B26B 19/12–265  
See application file for complete search history.

(56) **References Cited**

**U.S. PATENT DOCUMENTS**

D216,383 S	*	12/1969	Fischer	.....	D28/50
D283,059 S	*	3/1986	Satoh	.....	D28/50
D307,491 S	*	4/1990	Okada	.....	D28/50
D400,303 S		10/1998	Tanaka et al.		
D478,690 S	*	8/2003	Sgariboldi	.....	D28/85
D479,017 S	*	8/2003	Sgariboldi	.....	D28/85
D487,168 S		2/2004	Hoekstra et al.		
D497,035 S		10/2004	Khubani		
D509,026 S		8/2005	Leventhal et al.		
D513,092 S		12/2005	Ajootian		
D539,478 S		3/2007	Leventhal et al.		
D585,601 S	*	1/2009	Althoff	.....	D28/76

D674,144 S	*	1/2013	Yamamoto	.....	D28/51
D674,558 S		1/2013	Ino		
D674,559 S		1/2013	Ino		
D697,670 S		1/2014	Zheng et al.		
D712,596 S	*	9/2014	Lee	.....	D28/77
D821,204 S	*	6/2018	Reggiani	.....	D9/503
D836,840 S	*	12/2018	Khubani	.....	D28/50
D841,246 S	*	2/2019	Stowers	.....	D28/50
D841,887 S	*	2/2019	Stowers	.....	D28/50
D865,291 S	*	10/2019	Xiong	.....	D28/50
D882,874 S	*	4/2020	Peng	.....	D28/51

(Continued)

**OTHER PUBLICATIONS**

Vividreamore Facial Hair remover, www.amazon.com, 1 page, reviewed as early as Jun. 17, 2020 (Year: 2020).\*

*Primary Examiner* — Jennifer Rivard

(74) *Attorney, Agent, or Firm* — Law Offices of Steven W. Weinrieb

(57) **CLAIM**

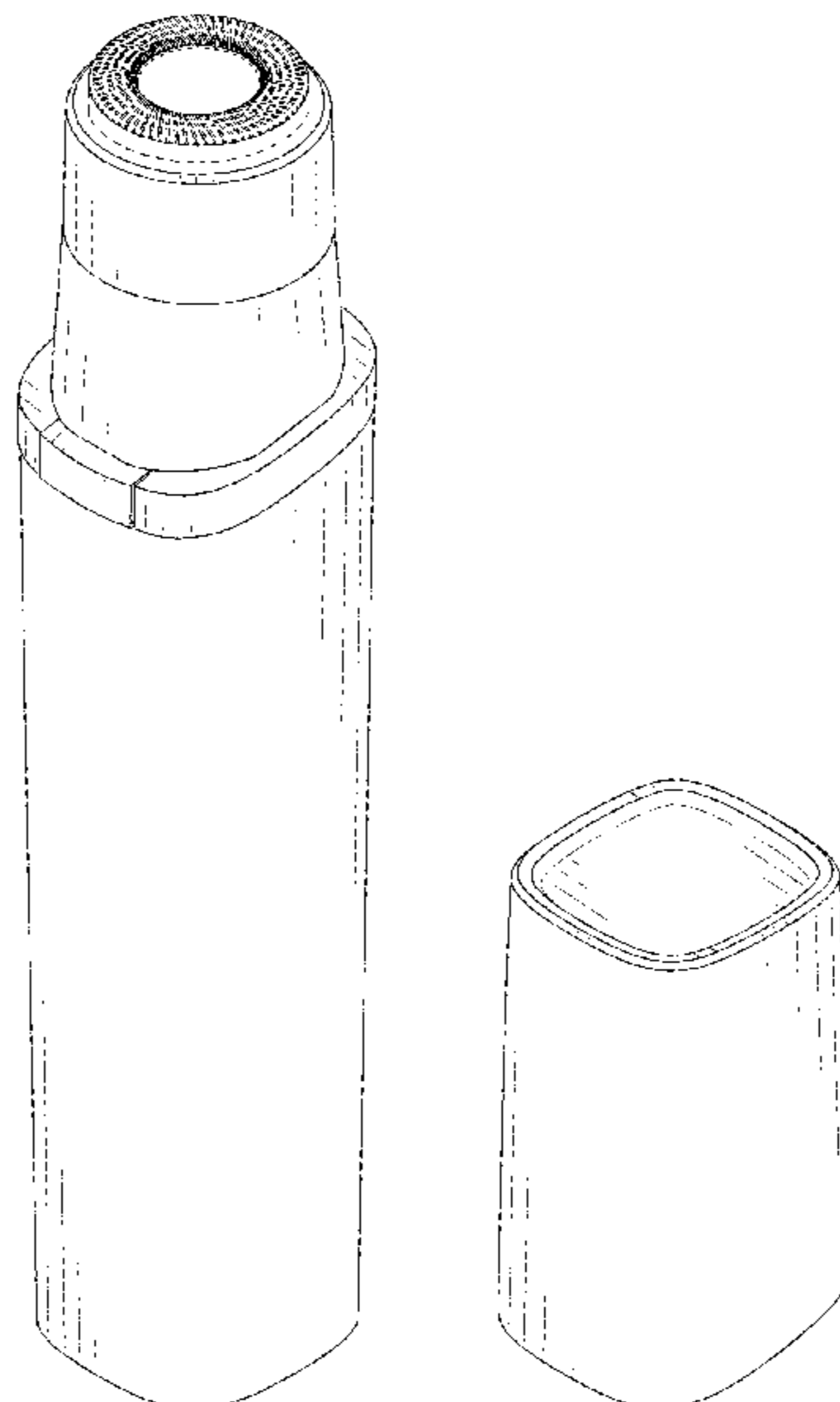
The ornamental design for a shaver, as shown and described.

**DESCRIPTION**

FIG. 1 is a front, right side, top perspective view of a shaver showing my new design;  
FIG. 2 is a rear, left side, bottom perspective view thereof;  
FIG. 3 is a front elevational view thereof;  
FIG. 4 is a rear elevational view thereof;  
FIG. 5 is a left side elevational view thereof;  
FIG. 6 is a right side elevational view thereof;  
FIG. 7 is a top plan view thereof;  
FIG. 8 is a bottom plan view thereof; and,  
FIG. 9 is a front, right side, top perspective view thereof with the cap of the shaver mounted upon the body portion of the shaver.

The broken lines depict portions of the shaver that from no part of the claimed design.

**1 Claim, 9 Drawing Sheets**



(56)

**References Cited**

U.S. PATENT DOCUMENTS

D888,340 S \* 6/2020 Wei ..... D28/50  
D888,341 S \* 6/2020 Stowers ..... D28/51

\* cited by examiner

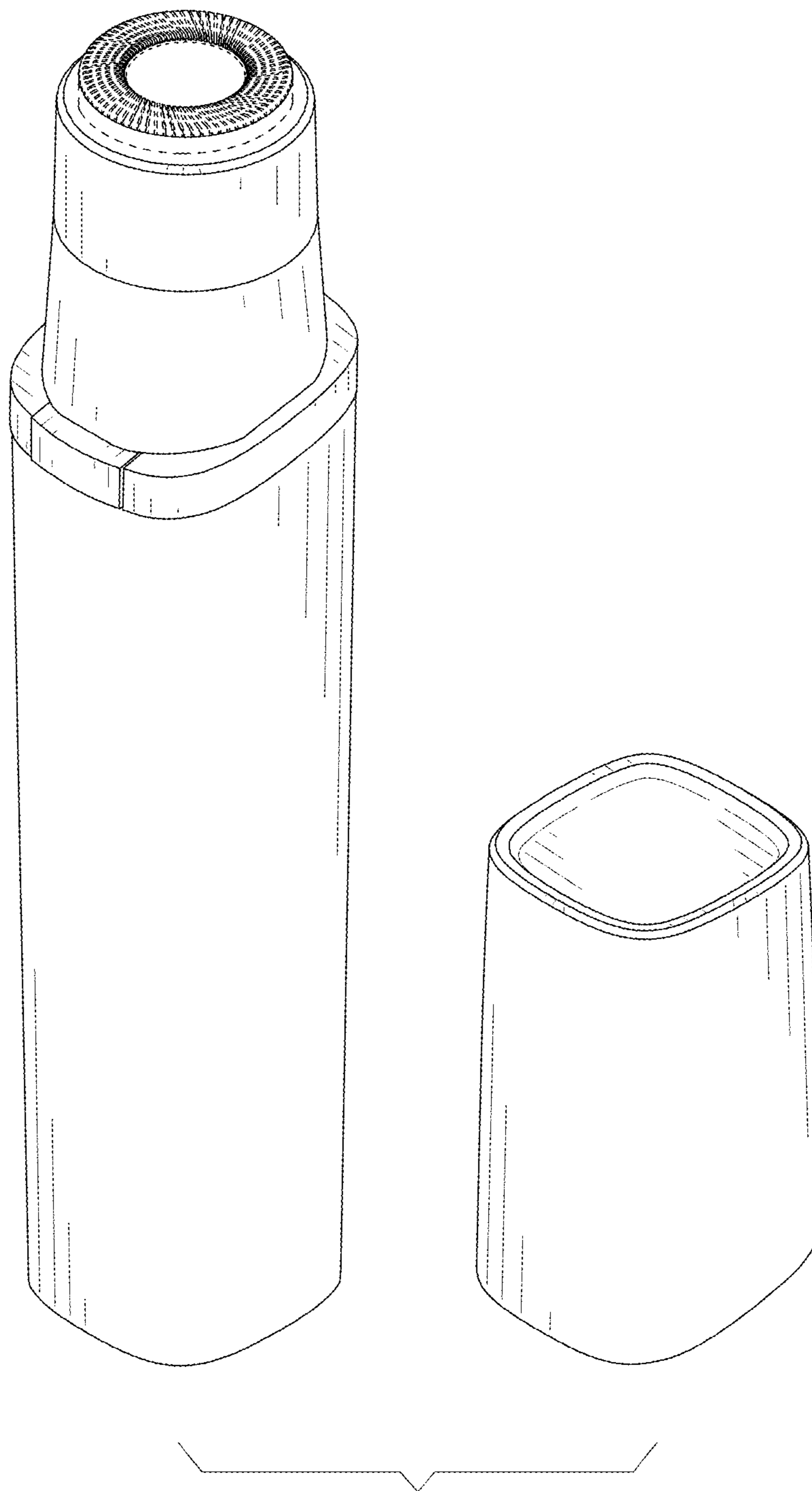


FIG. 1

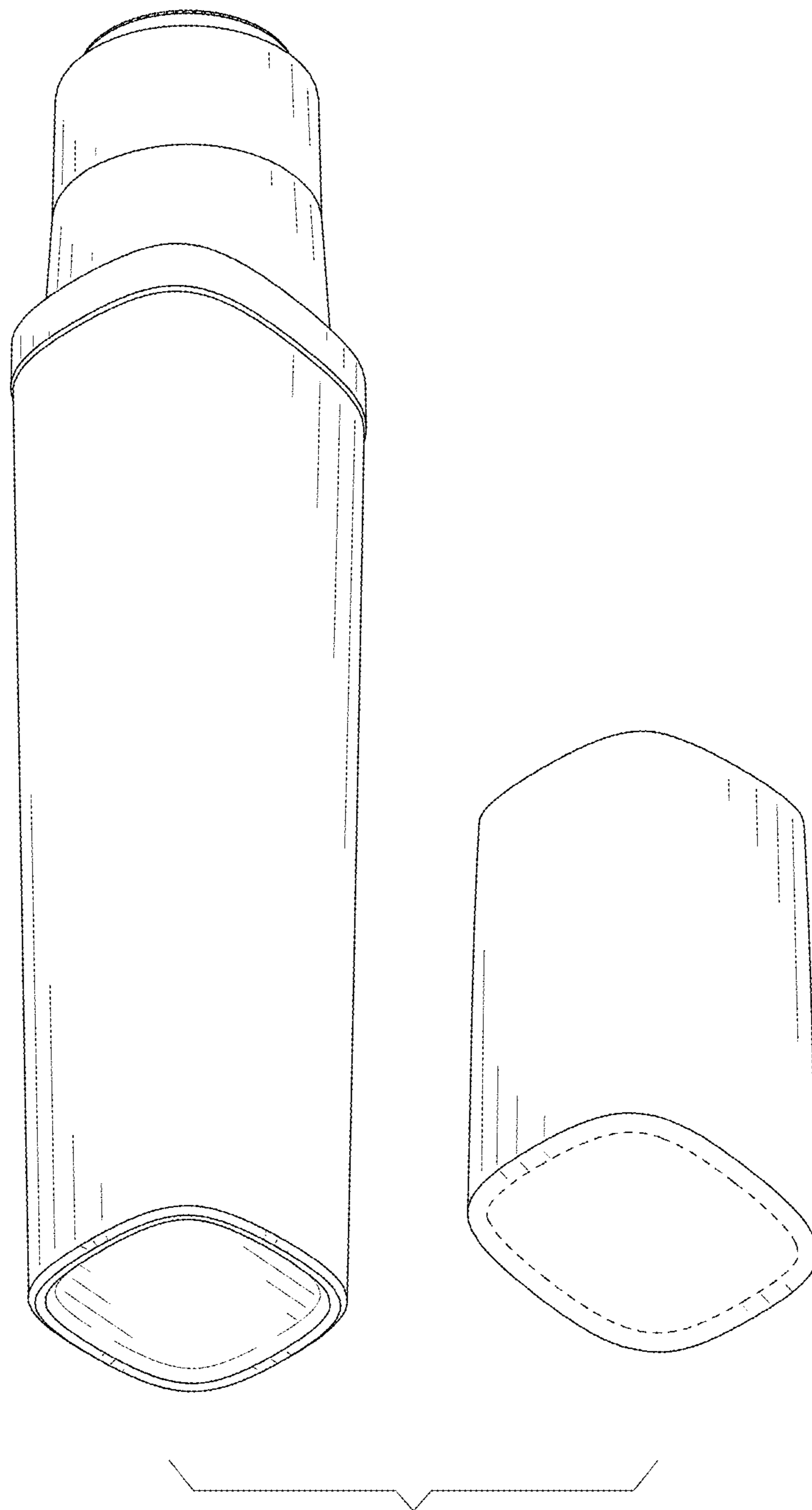


FIG. 2

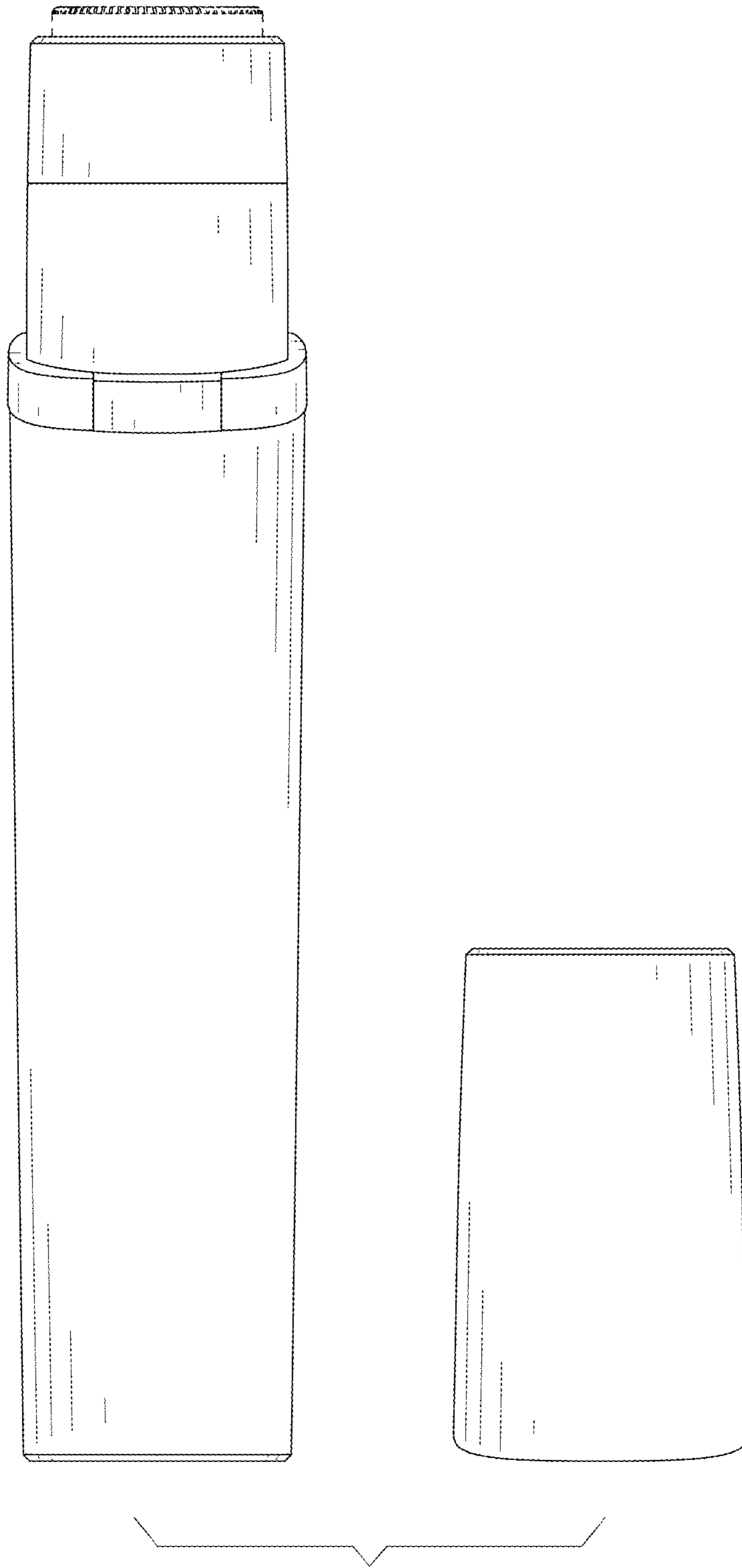


FIG. 3

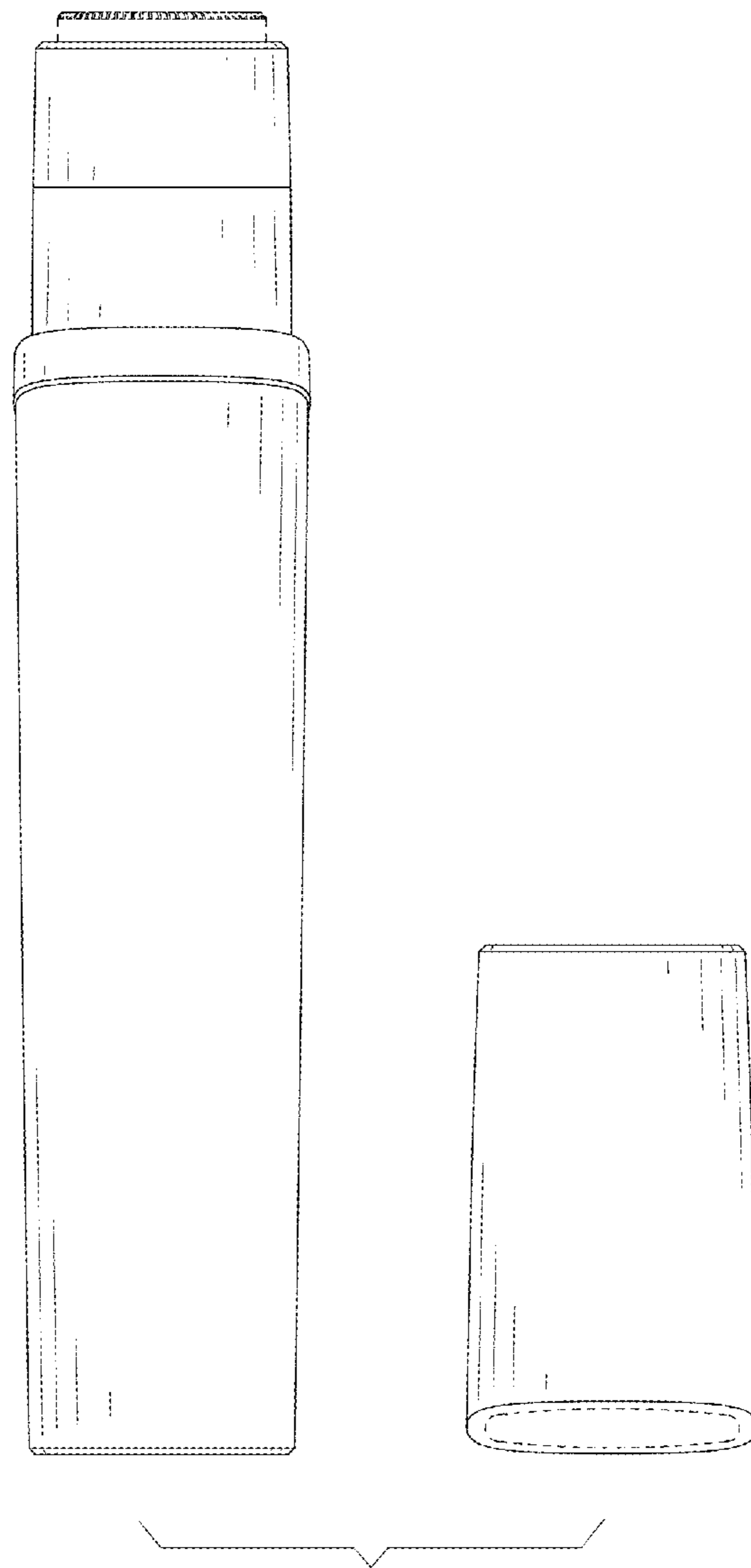


FIG. 4

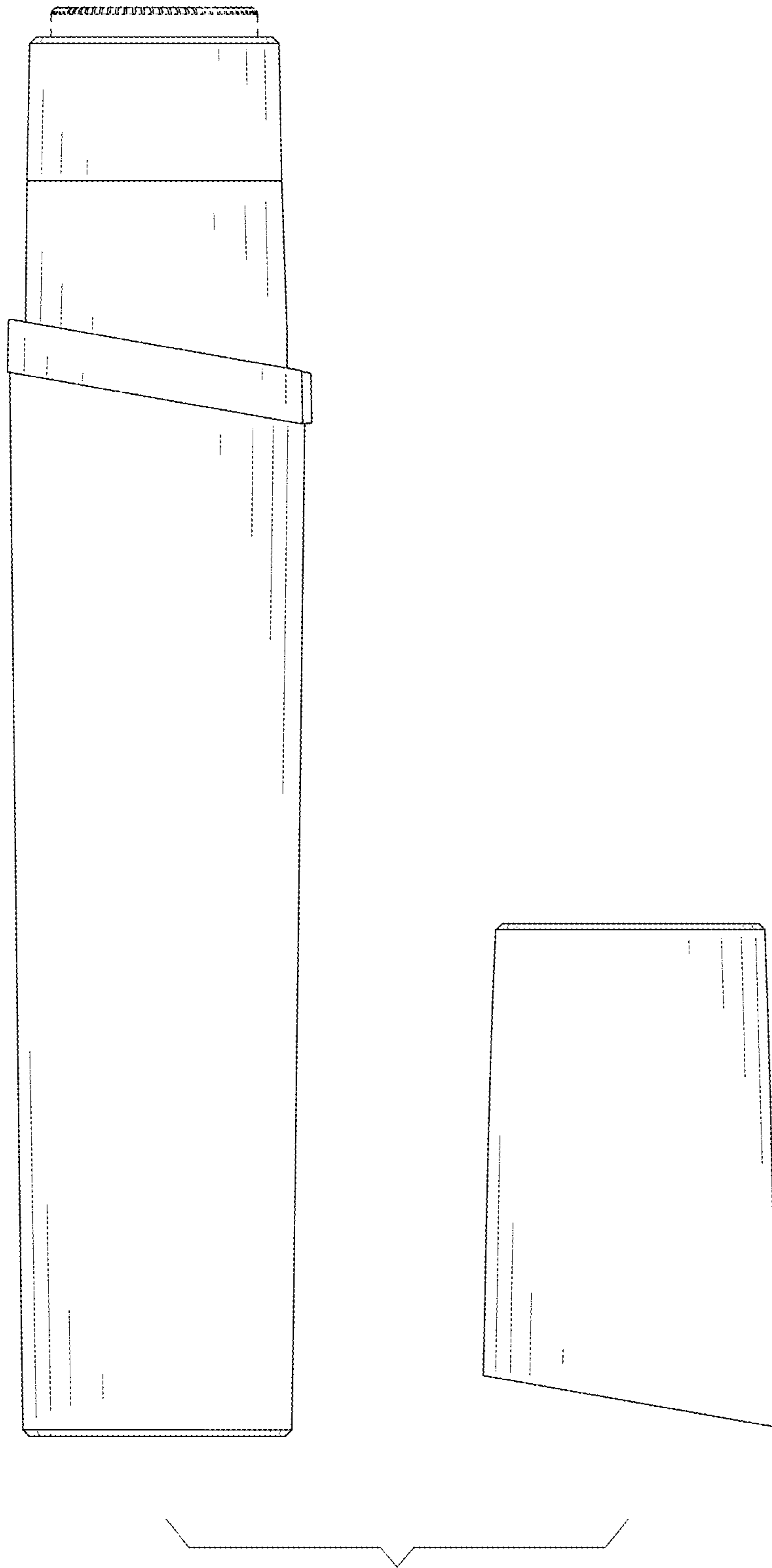


FIG. 5

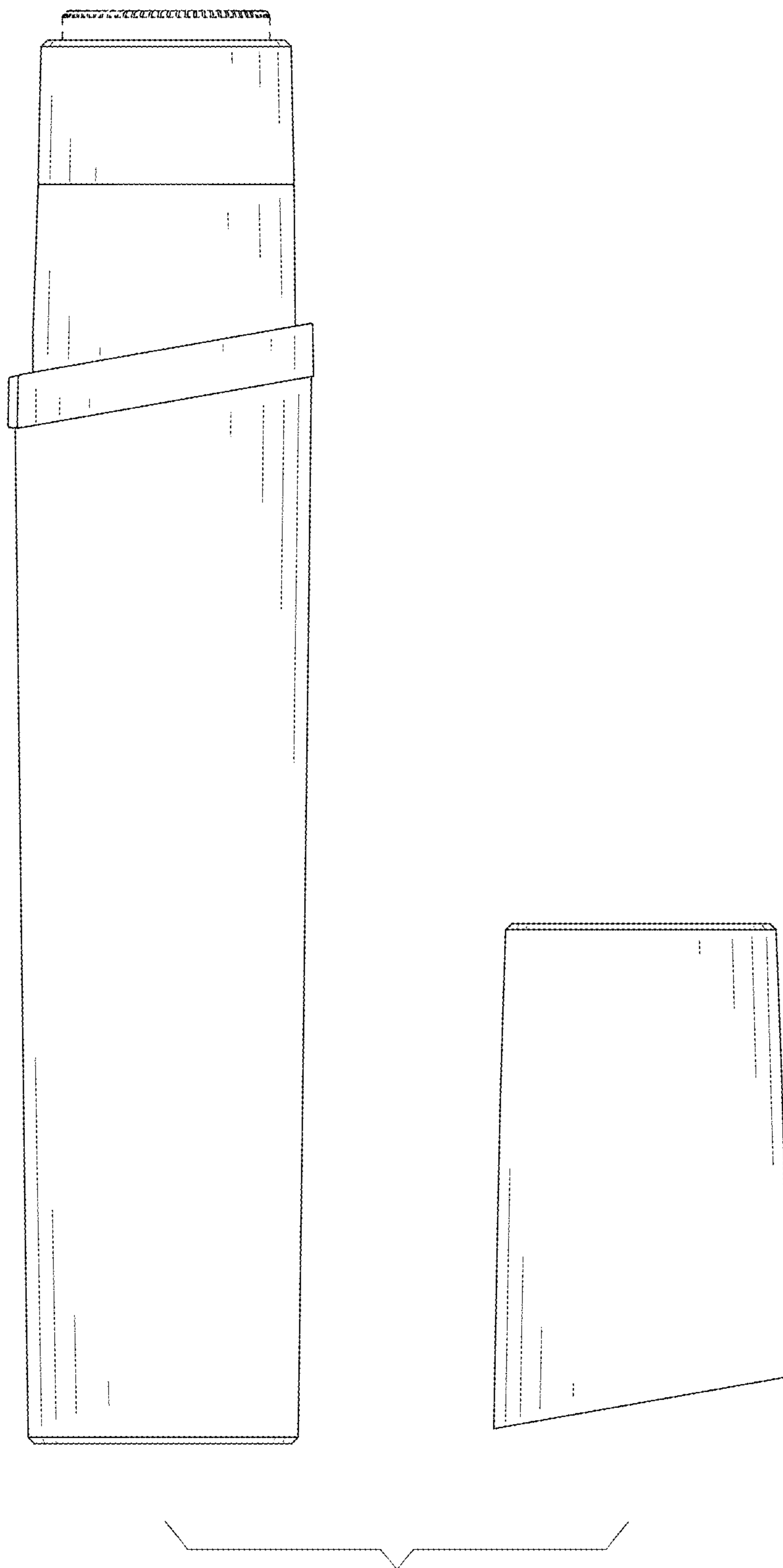


FIG. 6



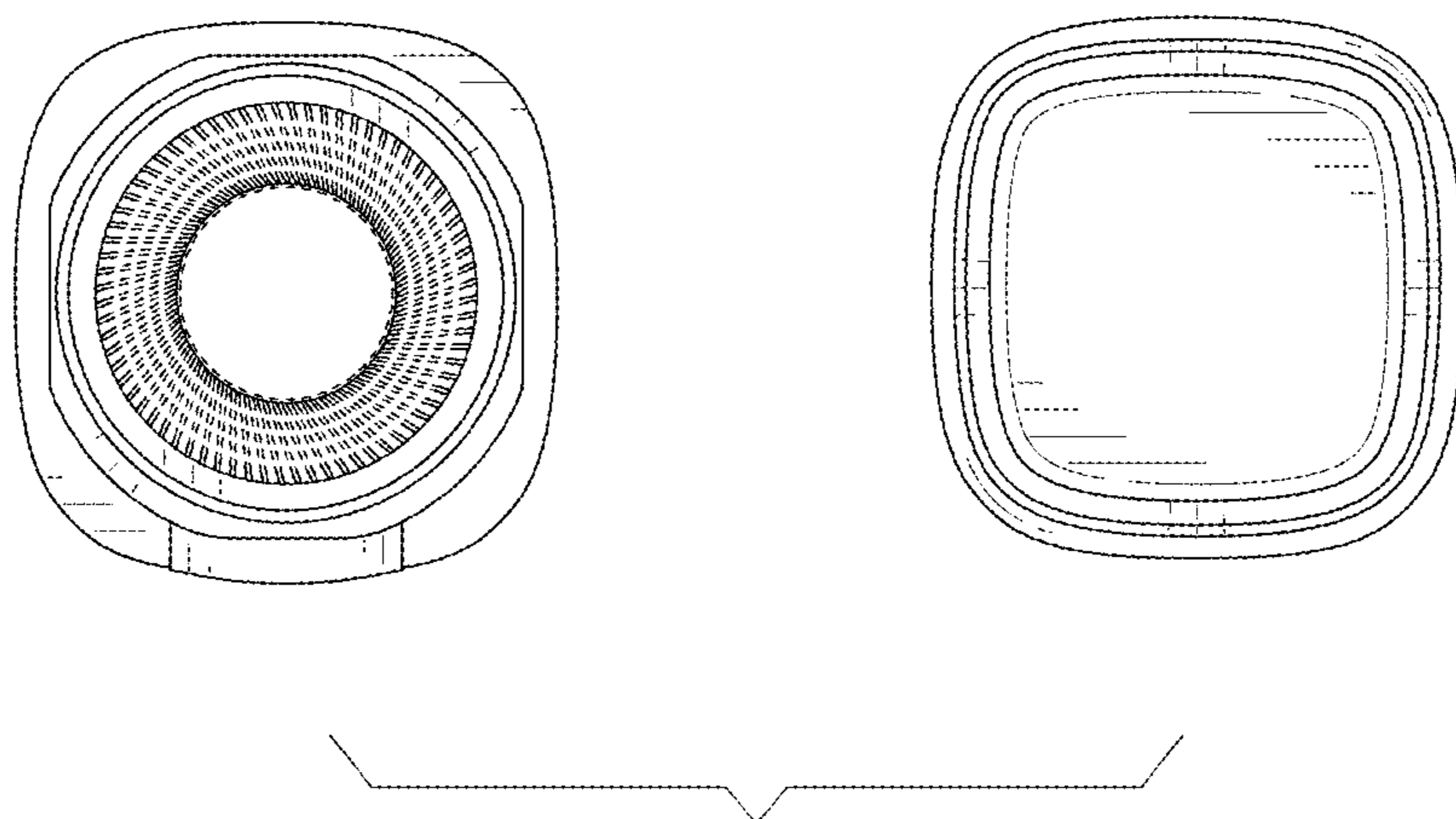


FIG. 7

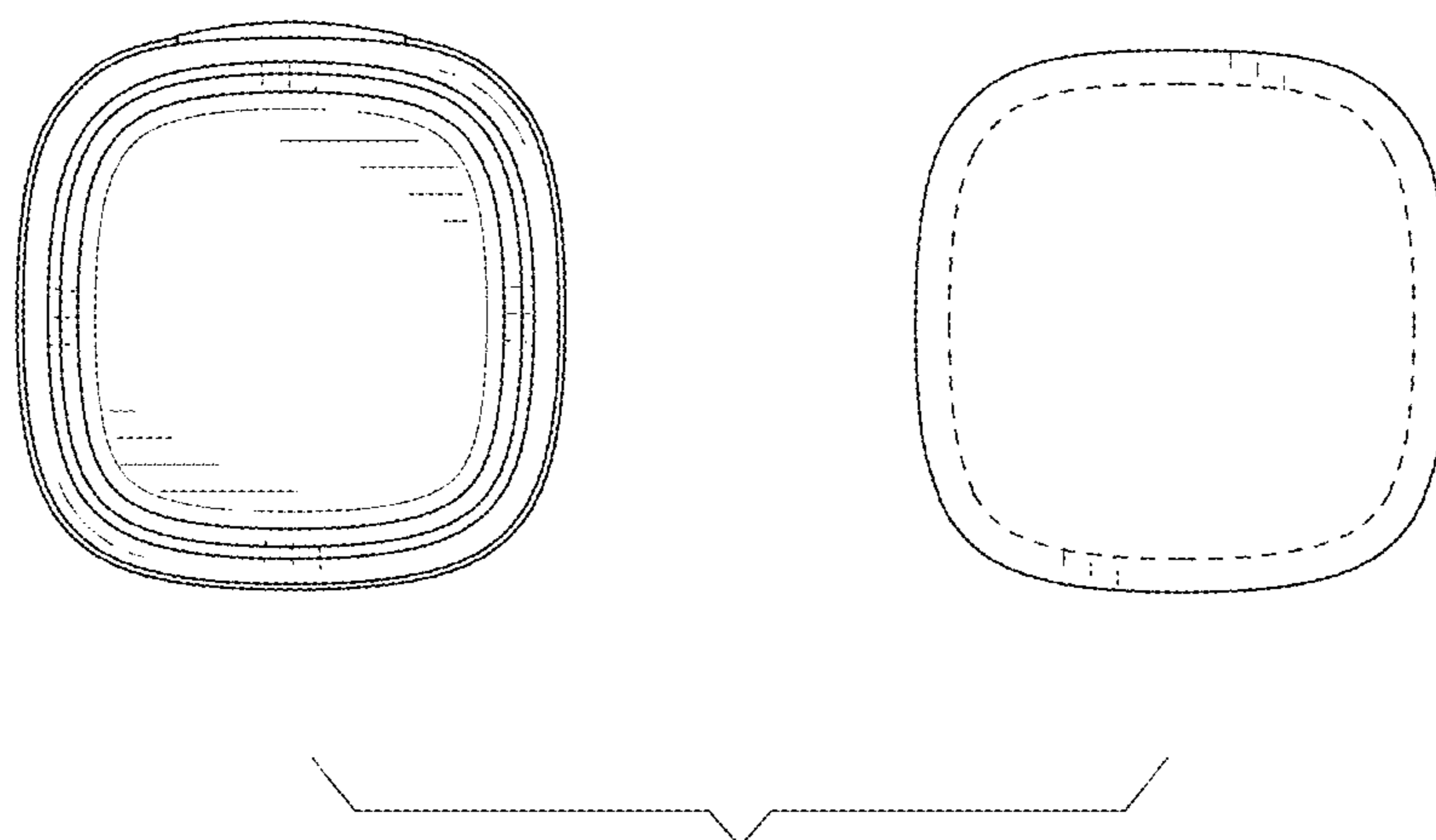


FIG. 8

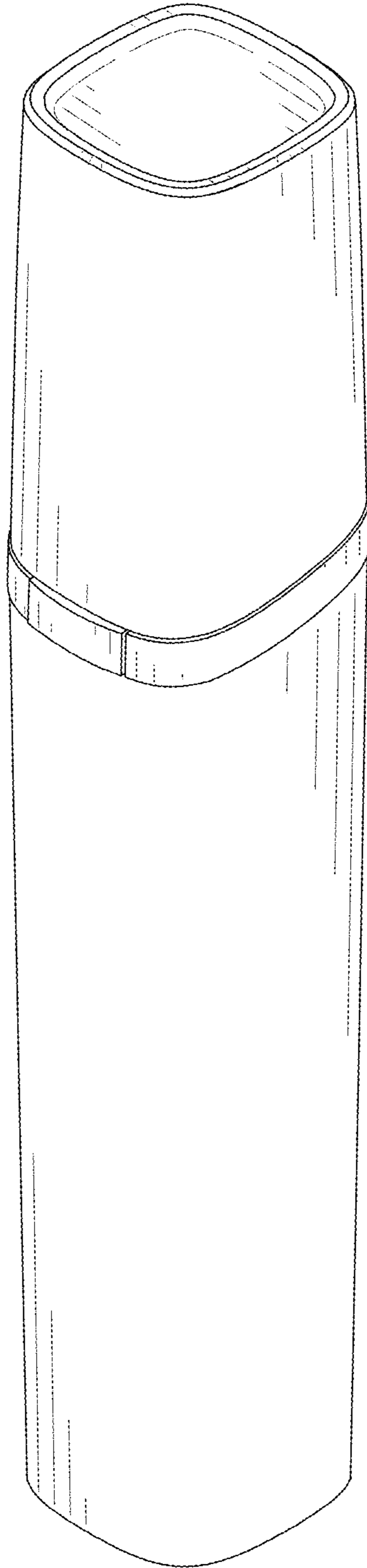


FIG. 9